



US00D518228S

(12) **United States Design Patent**
Schonbek et al.

(10) **Patent No.:** **US D518,228 S**

(45) **Date of Patent:** **** Mar. 28, 2006**

(54) **TRIM FOR LIGHT FIXTURE**

(75) Inventors: **Andrew Schonbek**, Plattsburgh, NY (US); **Chad Recore**, Peru, NY (US)

(73) Assignee: **Schonbek Worldwide Lighting, Inc.**, Plattsburgh, NY (US)

(**) Term: **14 Years**

(21) Appl. No.: **29/226,798**

(22) Filed: **Apr. 1, 2005**

(51) **LOC (8) Cl.** **26-99**

(52) **U.S. Cl.** **D26/154; D26/138; D26/61**

(58) **Field of Classification Search** D26/154, D26/138, 113, 81, 84, 88; D11/90; 362/404-406, 362/457, 806; 63/26-28, 32

See application file for complete search history.

(56) **References Cited**

U.S. PATENT DOCUMENTS

D55,512 S	*	6/1920	Heller	D11/90
D56,949 S	*	1/1921	Tatler	D11/90
1,560,414 A	*	11/1925	De Haan	63/32
3,619,599 A	*	11/1971	Hermanson	362/250
3,943,353 A	*	3/1976	Tada	362/404
5,109,325 A	*	4/1992	Bayer et al.	362/433
5,116,009 A	*	5/1992	Bayer	248/303
5,144,541 A	*	9/1992	Schonbek	362/405
5,222,805 A	*	6/1993	Schonbek et al.	362/405
5,241,460 A	*	8/1993	Schonbek	362/405

(Continued)

OTHER PUBLICATIONS

Basket Sconce with Crystal Accents. Item #92659 from Lamps Plus. Found online at lampsplus.com on Aug. 11, 2005.*

“Star Dust” by Tokujin Yoshioka from the Swarovski Crystal Palace Collection. Posted at mocoloco.com on May 9, 2005.*

James R. Modor, Strass Crystal Mini Pendant Chandelier. Item #55672 from Lamps Plus. Found online at lampsplus.com on Aug. 11, 2005.*

James R. Modor, Sapphire Mini Pendant Chandelier. Item #55666 from Lamps Plus. Found online at lampsplus.com on Aug. 11, 2005.*

WAC Catalog(c) 2004, Quick Connect Fixtures, p. 7.

WAC Catalog(c) 2004, Quick Connect Fixtures, p. 6.

WAC Catalog(c) 2004, Low Voltage Pendants, p. 104.

<http://www.lblighting.com>, Merlino, 1 page.

<http://www.lblighting.com>, Merlino Swivel II, 1 page.

Primary Examiner—Clare E Heflin

(74) *Attorney, Agent, or Firm*—Heslin Rothenberg Farley & Mesiti P.C.

(57) **CLAIM**

The ornamental design for a trim for light fixture, as shown and described.

DESCRIPTION

This application is related to commonly assigned, U.S. application Ser. No. 29/221,186, filed Jan. 12, 2005, U.S. application Ser. No. 29/221,153, filed Jan. 12, 2005 and U.S. application Ser. No. 29/221,154, filed Jan. 12, 2005, the full disclosures of which are incorporated herein by reference.

FIG. 1 is an isometric view of a first embodiment of the trim for light fixture of the present invention in a first environmental structure of a spot light;

FIG. 2 is a left-side elevation view thereof;

FIG. 3 is a right-side elevation view thereof;

FIG. 4 is a back elevation view thereof;

FIG. 5 is a front elevational view thereof;

FIG. 6 is a top plan view thereof;

FIG. 7 is a bottom plan view thereof;

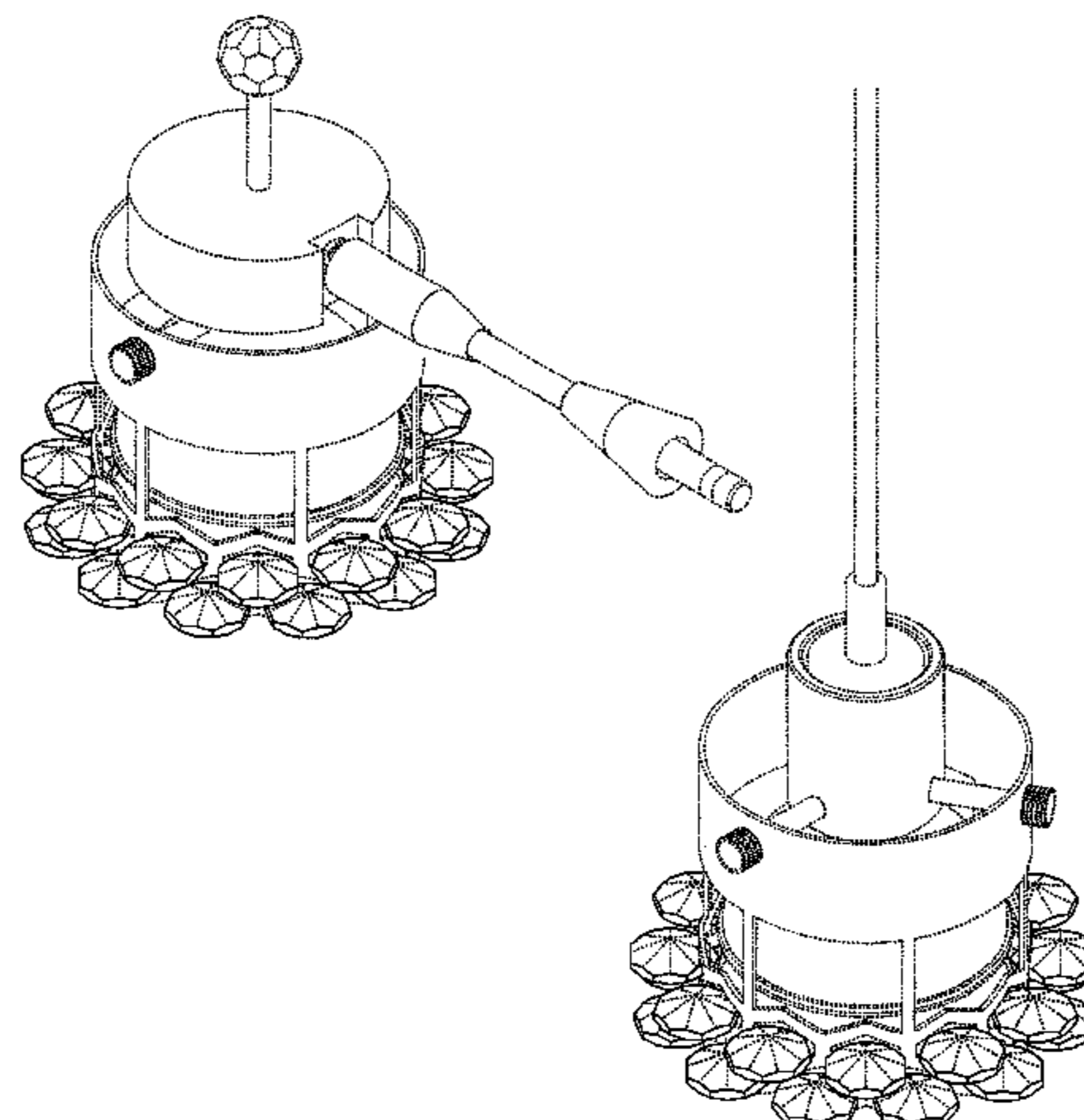
FIG. 8 is an isometric view of a second embodiment of the trim for light fixture, which differs from the first embodiment only in the number of rings of ornaments;

FIG. 9 is an isometric view of the first embodiment in a second environmental structure of a recessed fixture; and,

FIG. 10 is an isometric view of the first embodiment in a third environmental structure of a pendant fixture.

The broken line showing is for illustrative purposes only and forms no part of the claimed invention.

1 Claim, 10 Drawing Sheets



US D518,228 S

Page 2

U.S. PATENT DOCUMENTS			
5,285,364	A *	2/1994	Bayer 362/405
5,567,046	A *	10/1996	Lucas 362/405
5,906,430	A *	5/1999	Bayer 362/404
5,921,668	A *	7/1999	Bayer 362/404
6,921,186	B1 *	7/2005	Viskovich 362/404
2005/0172668	A1 *	8/2005	Bayer et al. 63/28

* cited by examiner

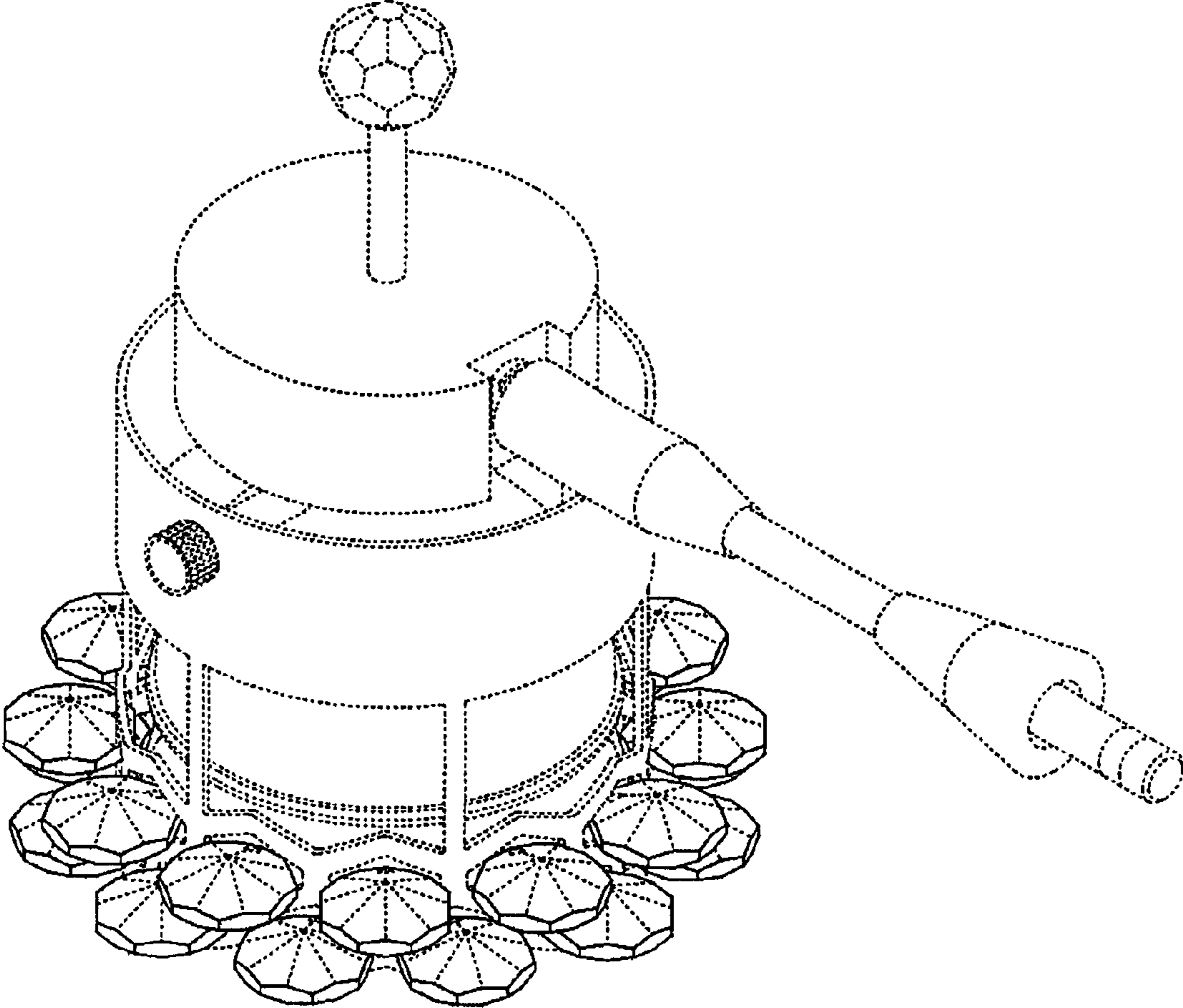


FIG 1

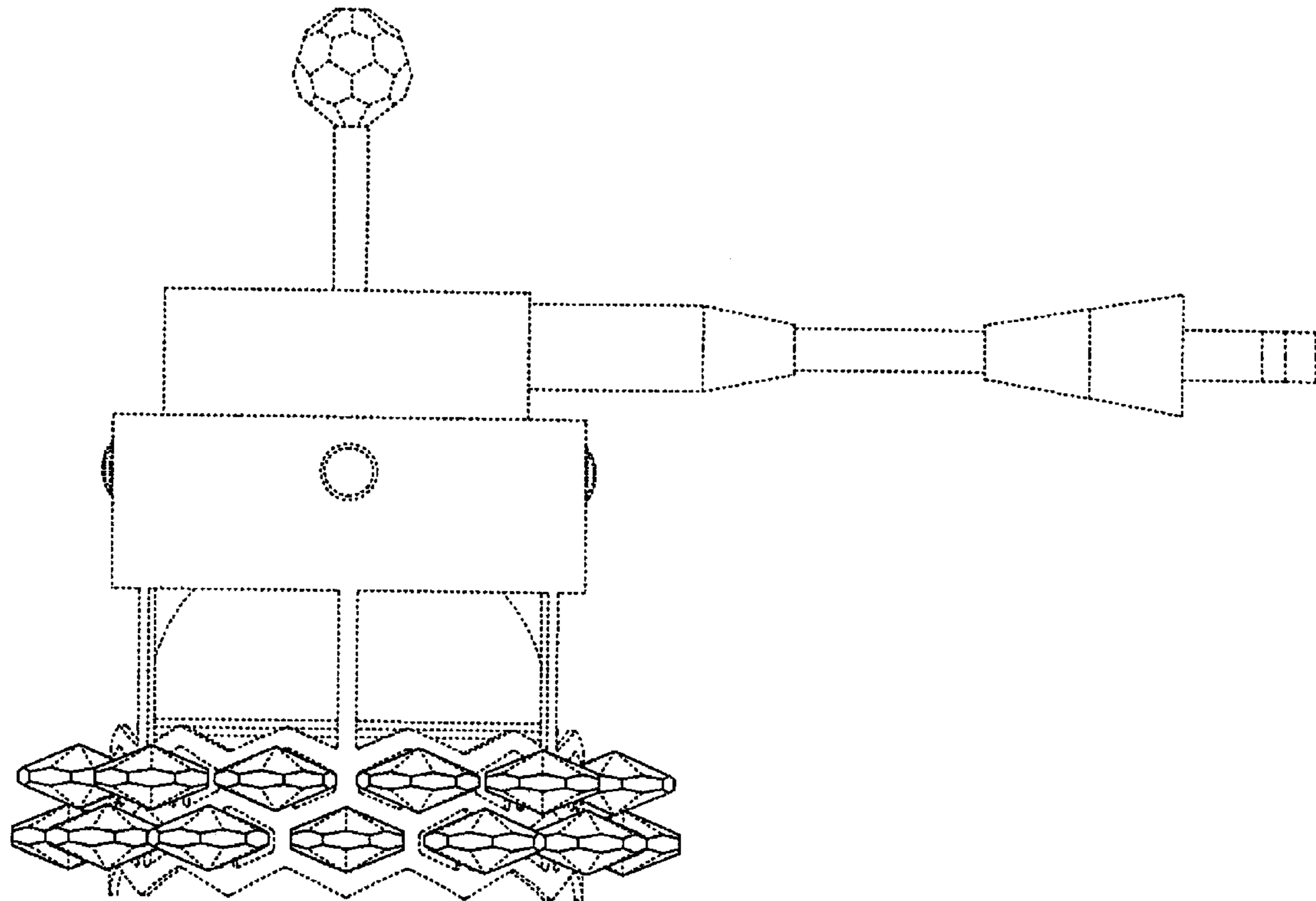


FIG 2

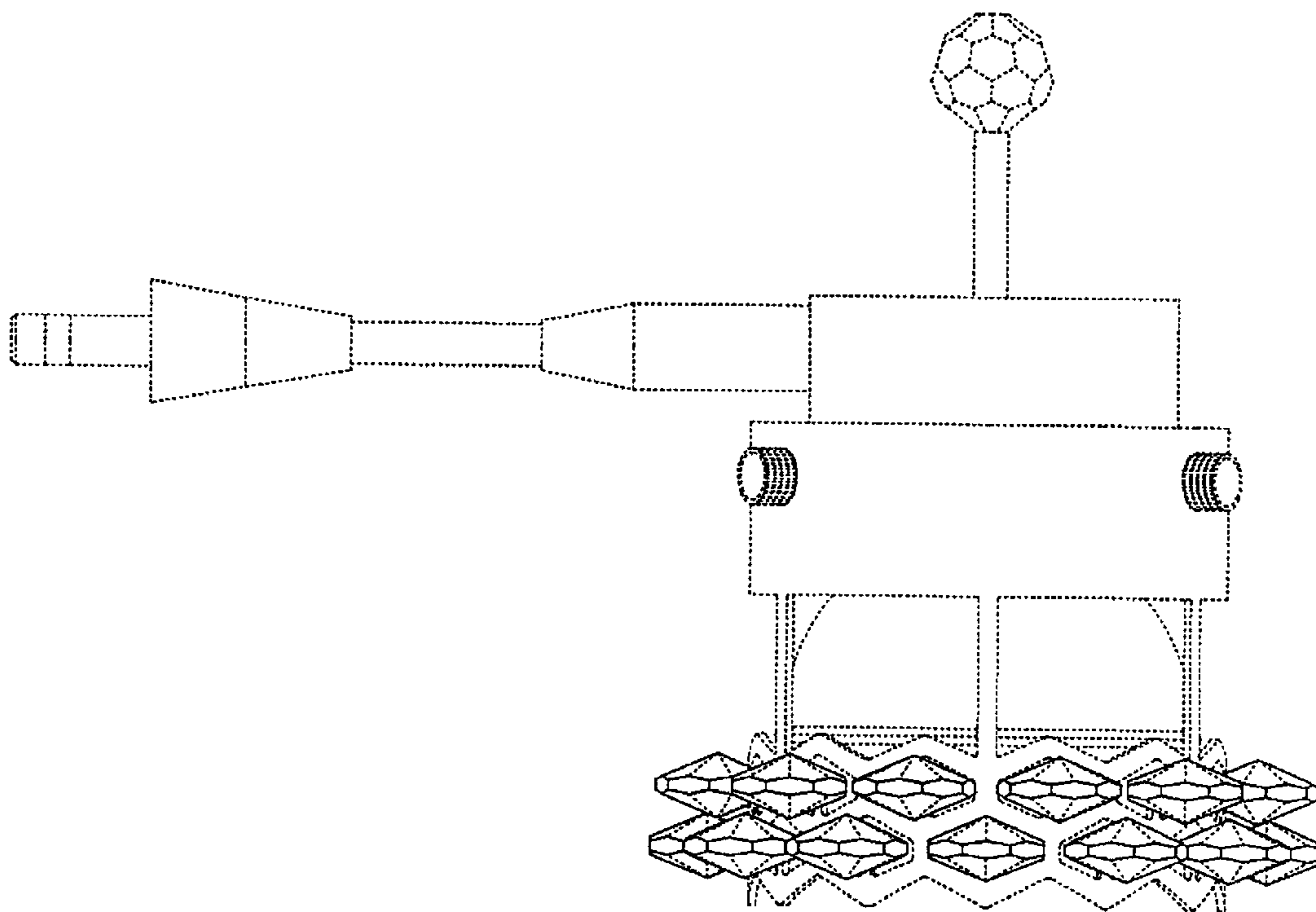


FIG 3

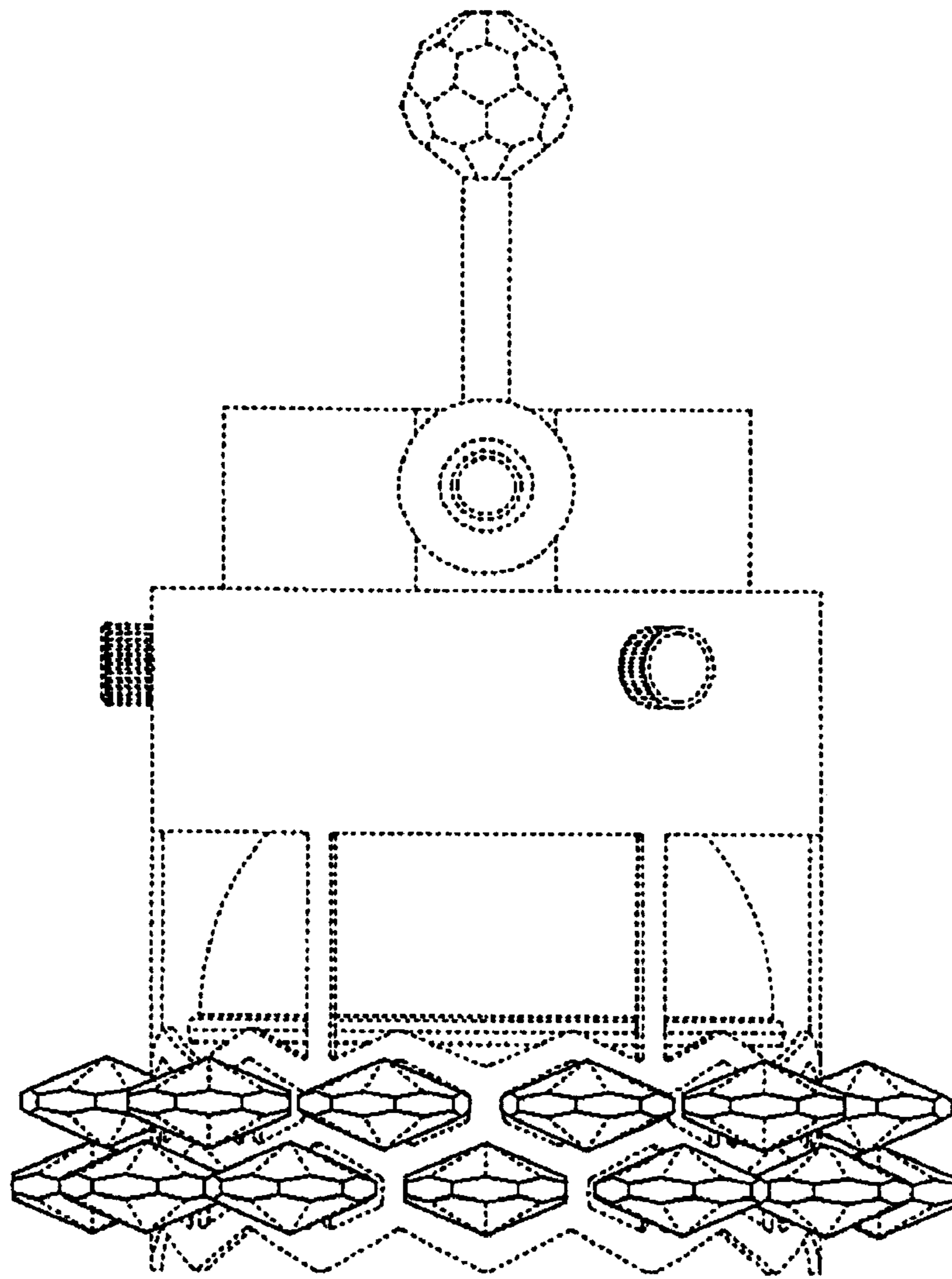


FIG 4

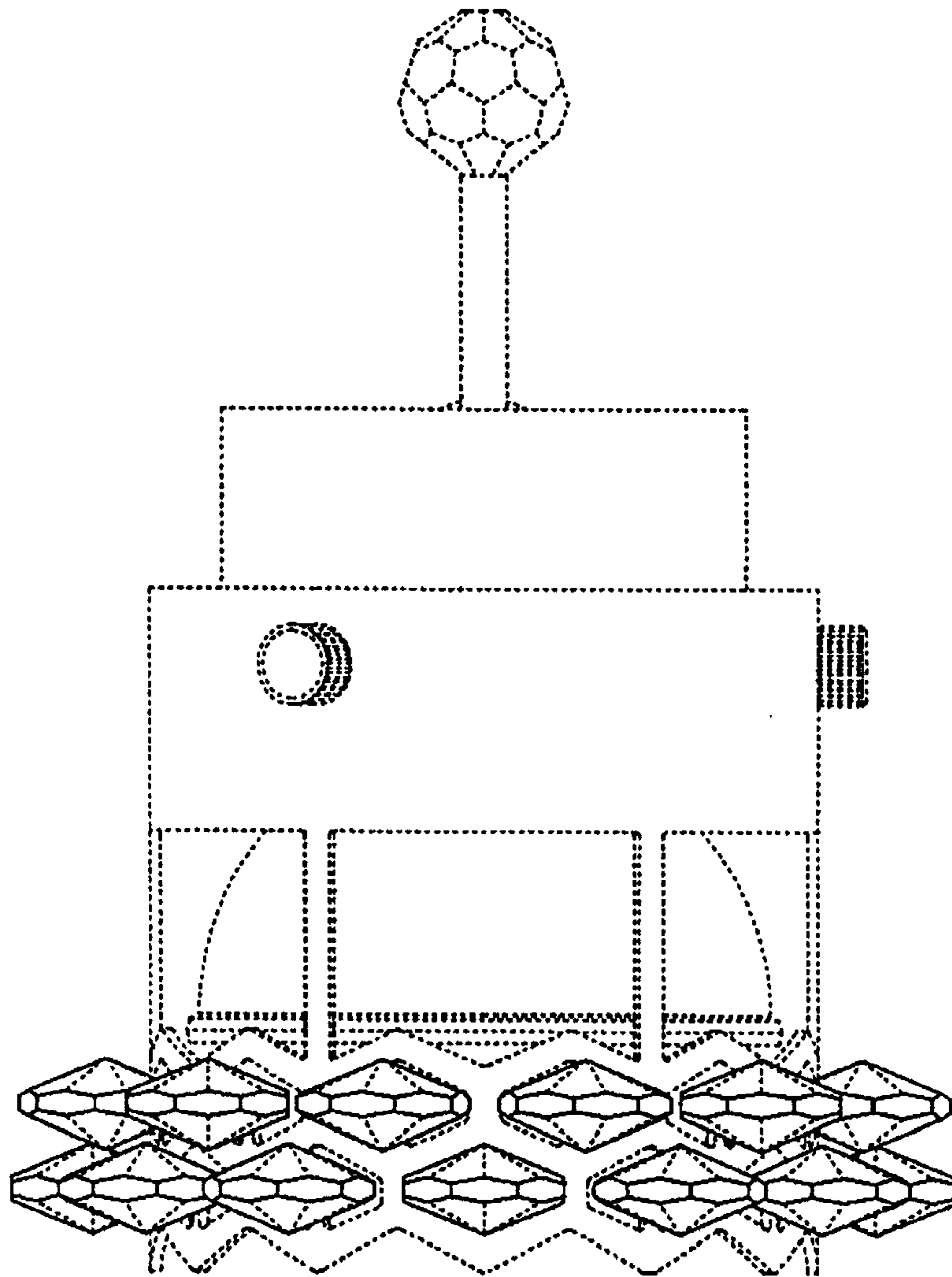


FIG 5

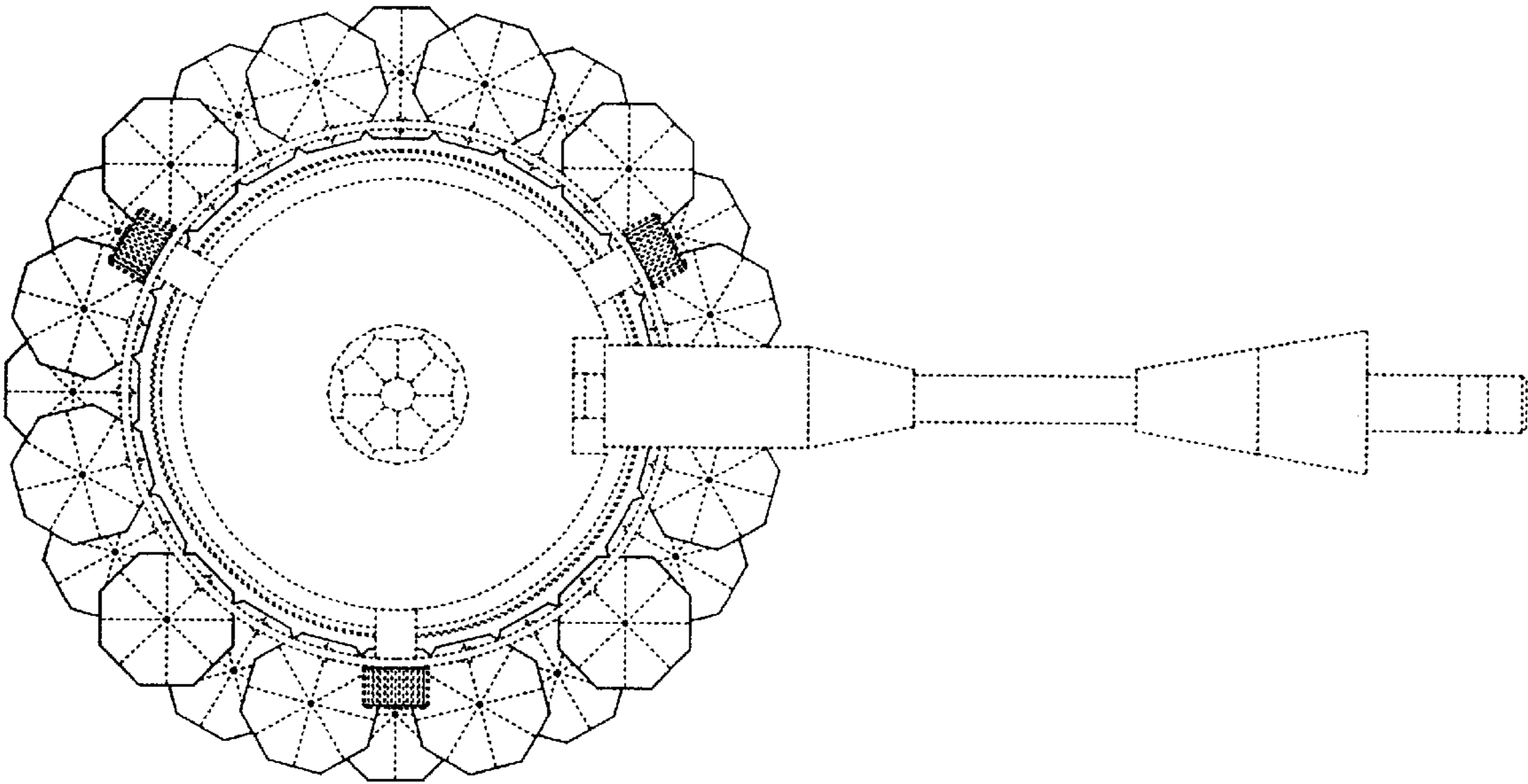


FIG 6

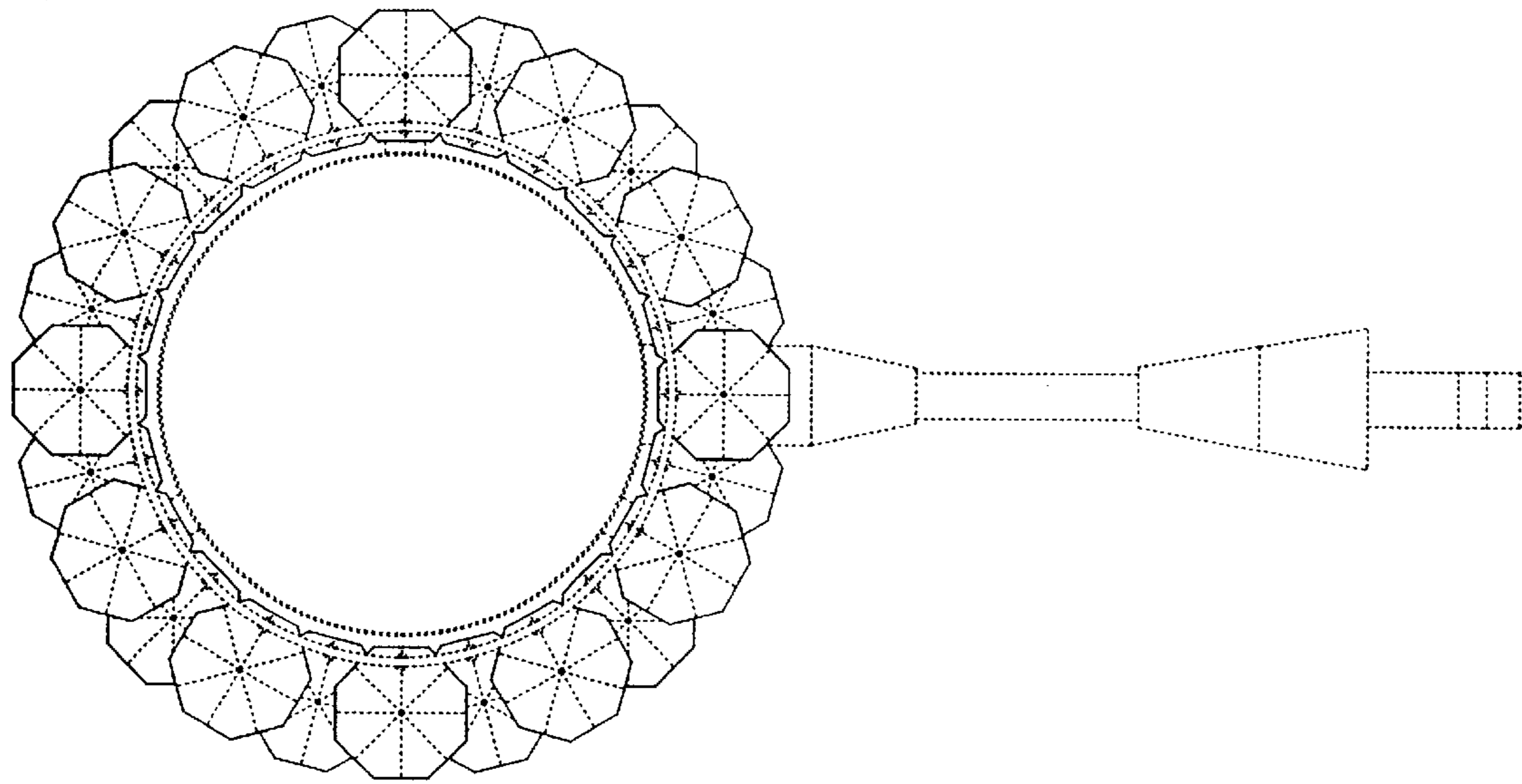


FIG 7

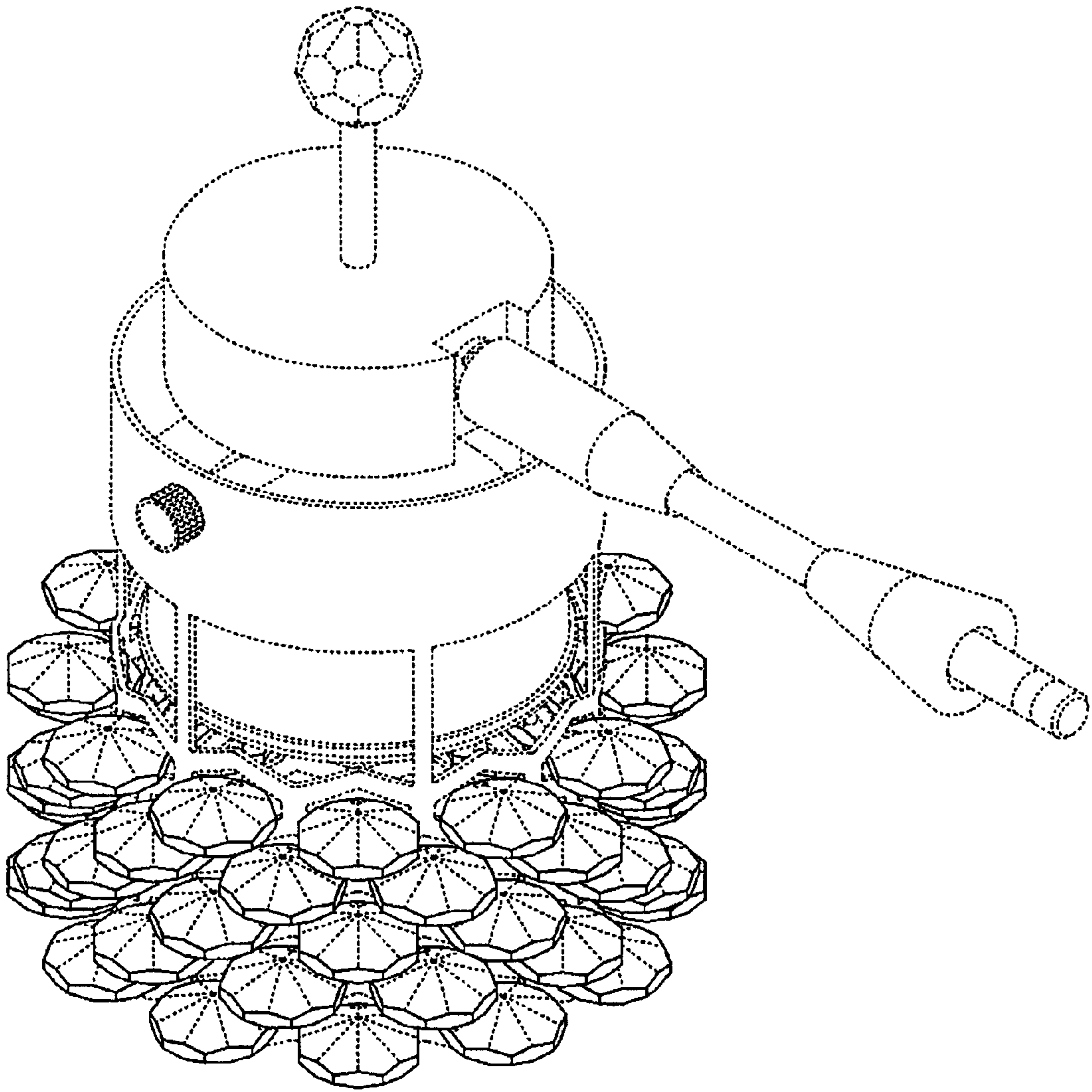


FIG 8

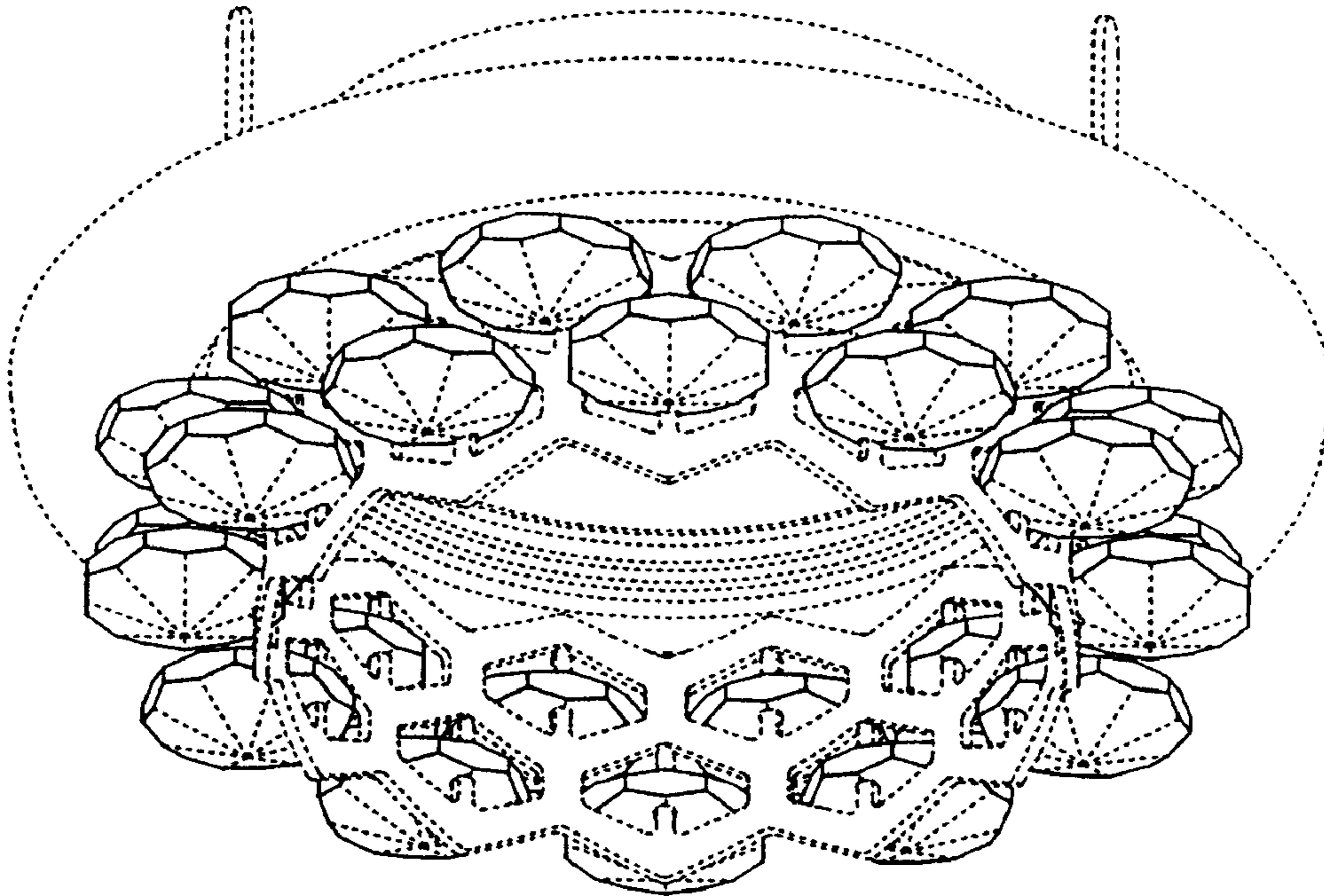


FIG 9

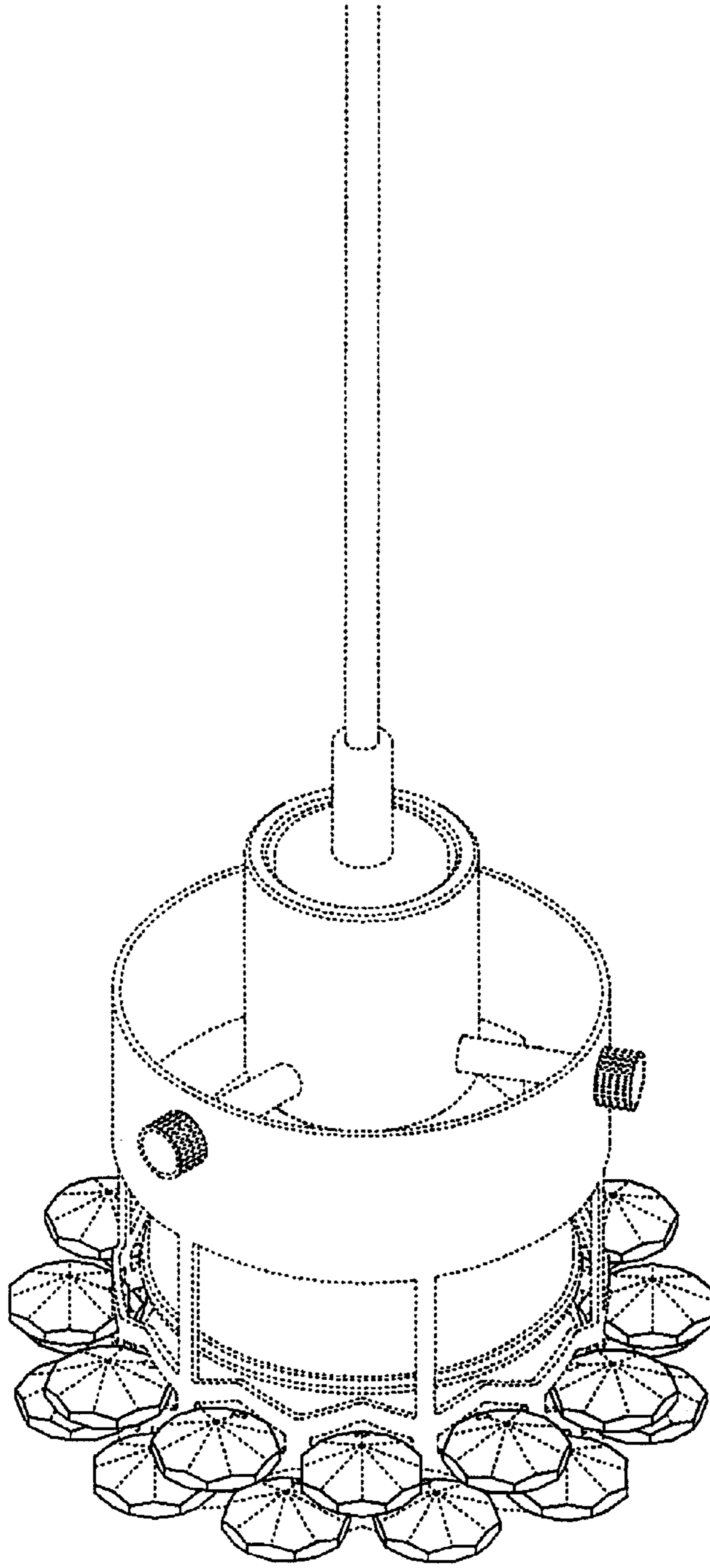


FIG 10