



US00D518227S

(12) **United States Design Patent**  
**Schonbek et al.**

(10) **Patent No.:** **US D518,227 S**  
(45) **Date of Patent:** **\*\* Mar. 28, 2006**

- (54) **TRIM FOR LIGHT FIXTURE**
- (75) Inventors: **Andrew Schonbek**, Plattsburgh, NY (US); **Chad Recore**, Peru, NY (US)
- (73) Assignee: **Schonbek Worldwide Lighting, Inc.**, Plattsburgh, NY (US)
- (\*\*) Term: **14 Years**
- (21) Appl. No.: **29/226,787**
- (22) Filed: **Apr. 1, 2005**
- (51) **LOC (8) Cl.** ..... **26-99**
- (52) **U.S. Cl.** ..... **D26/154; D26/138**
- (58) **Field of Classification Search** ..... D26/154, D26/138, 113, 81, 84, 88; D11/90; 362/404-406, 362/457, 806; 63/26-28, 32  
See application file for complete search history.

(56) **References Cited**

**U.S. PATENT DOCUMENTS**

|                 |   |         |                 |       |         |
|-----------------|---|---------|-----------------|-------|---------|
| D55,512 S       | * | 6/1920  | Heller          | ..... | D11/90  |
| D56,949 S       | * | 1/1921  | Tatler          | ..... | D11/90  |
| 1,560,414 A     | * | 11/1925 | De Haan         | ..... | 63/32   |
| 3,619,599 A     | * | 11/1971 | Hermanson       | ..... | 362/250 |
| 3,943,353 A     | * | 3/1976  | Tada            | ..... | 362/404 |
| 5,109,325 A     | * | 4/1992  | Bayer et al.    | ..... | 362/433 |
| 5,116,009 A     | * | 5/1992  | Bayer           | ..... | 248/303 |
| 5,144,541 A     | * | 9/1992  | Schonbek        | ..... | 362/405 |
| 5,222,805 A     | * | 6/1993  | Schonbek et al. | ..... | 362/405 |
| 5,241,460 A     | * | 8/1993  | Schonbek        | ..... | 362/405 |
| 5,285,364 A     | * | 2/1994  | Bayer           | ..... | 362/405 |
| 5,567,046 A     | * | 10/1996 | Lucas           | ..... | 362/405 |
| 5,906,430 A     | * | 5/1999  | Bayer           | ..... | 362/404 |
| 5,921,668 A     | * | 7/1999  | Bayer           | ..... | 362/404 |
| 6,921,186 B1    | * | 7/2005  | Viskovich       | ..... | 362/404 |
| 2005/0172668 A1 | * | 8/2005  | Bayer et al.    | ..... | 63/28   |

**OTHER PUBLICATIONS**

Basket Sconce with Crystal Accents. Item #92659 from Lamps Plus. Found online at lampsplus.com on Aug. 11, 2005.\*  
 "Star Dust" by Tokujin Yoshioka from the Swarovski Crystal Palace Collection. Posted at mocoloco.com on May 9, 2005.\*

James R. Modor, Strass Crystal Mini Pendant Chandelier. Item #55672 from Lamps Plus. Found online at lampsplus.com on Aug. 11, 2005.\*  
 James R. Modor, Sapphire Mini Pendant Chandelier. Item #55666 from Lamps Plus. Found online at lampsplus.com on Aug. 11, 2005.\*  
 WAC Catalog (c) 2004, Quick Connect Fixtures, p. 7.  
 WAC Catalog (c) 2004, Quick Connect Fixtures, p. 6.  
 WAC Catalog (c) 2004, Low Voltage Pendants, p. 104.  
<http://www.lbllighting.com>, Merlino, 1 page.  
<http://www.lbllighting.com>, Merlino Swivel II, 1 page.

\* cited by examiner

*Primary Examiner*—Clare E Hefflin  
 (74) *Attorney, Agent, or Firm*—Heslin Rothenberg Farley & Mesiti P.C.

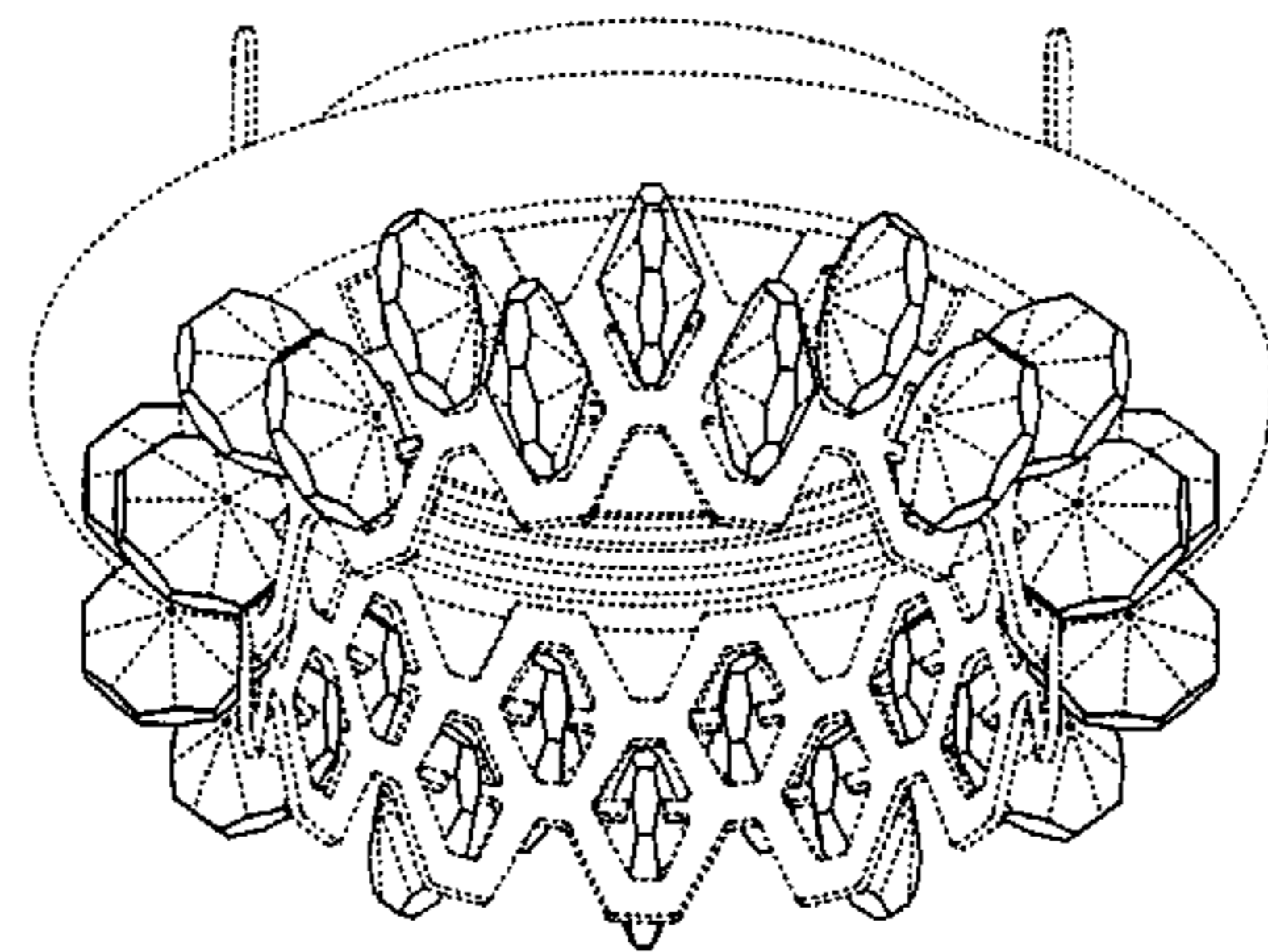
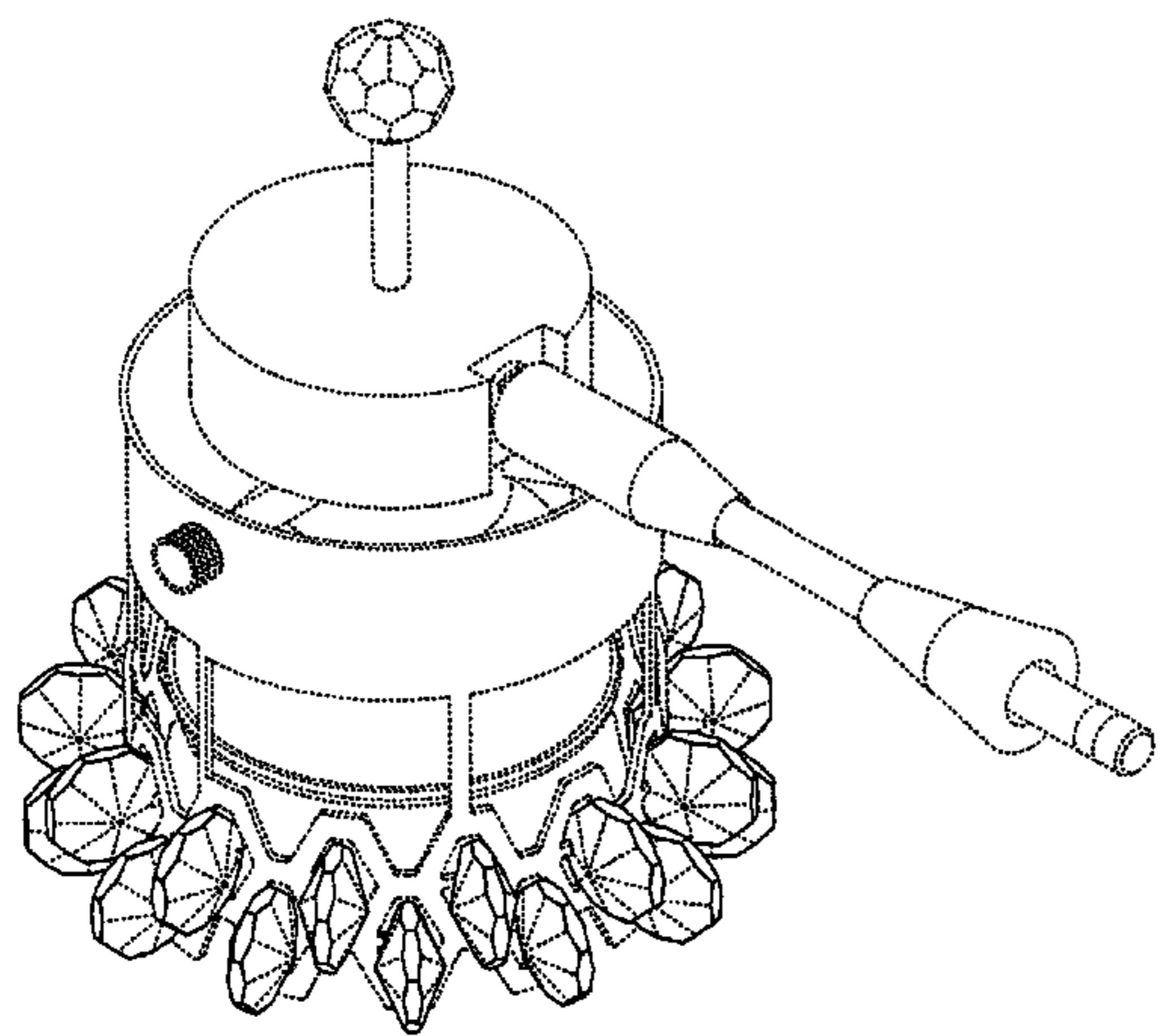
(57) **CLAIM**

The ornamental design for a trim for light fixture, as shown and described.

**DESCRIPTION**

This application is related to commonly assigned, U.S. application Ser. No. 29/221,188, the full disclosure of which is incorporated herein by reference.  
 FIG. 1 is an isometric view of a first embodiment of the trim for light fixture of the present invention in a first environmental structure of a spot light;  
 FIG. 2 is a left side elevation view thereof;  
 FIG. 3 is a right side elevation view thereof;  
 FIG. 4 is a back elevation view thereof;  
 FIG. 5 is a front elevational view thereof;  
 FIG. 6 is a top plan view thereof;  
 FIG. 7 is a bottom plan view thereof;  
 FIG. 8 is an isometric view of a second embodiment of the trim for light fixture, which differs from the first embodiment only in the number of rings of ornaments;  
 FIG. 9 is an isometric view of the first embodiment in a second environmental structure of a recessed fixture; and,  
 FIG. 10 is an isometric view of the first embodiment in a third environmental structure of a pendant fixture.  
 The broken line showing is for illustrative purposes only and forms no part of the claimed invention.

**1 Claim, 10 Drawing Sheets**



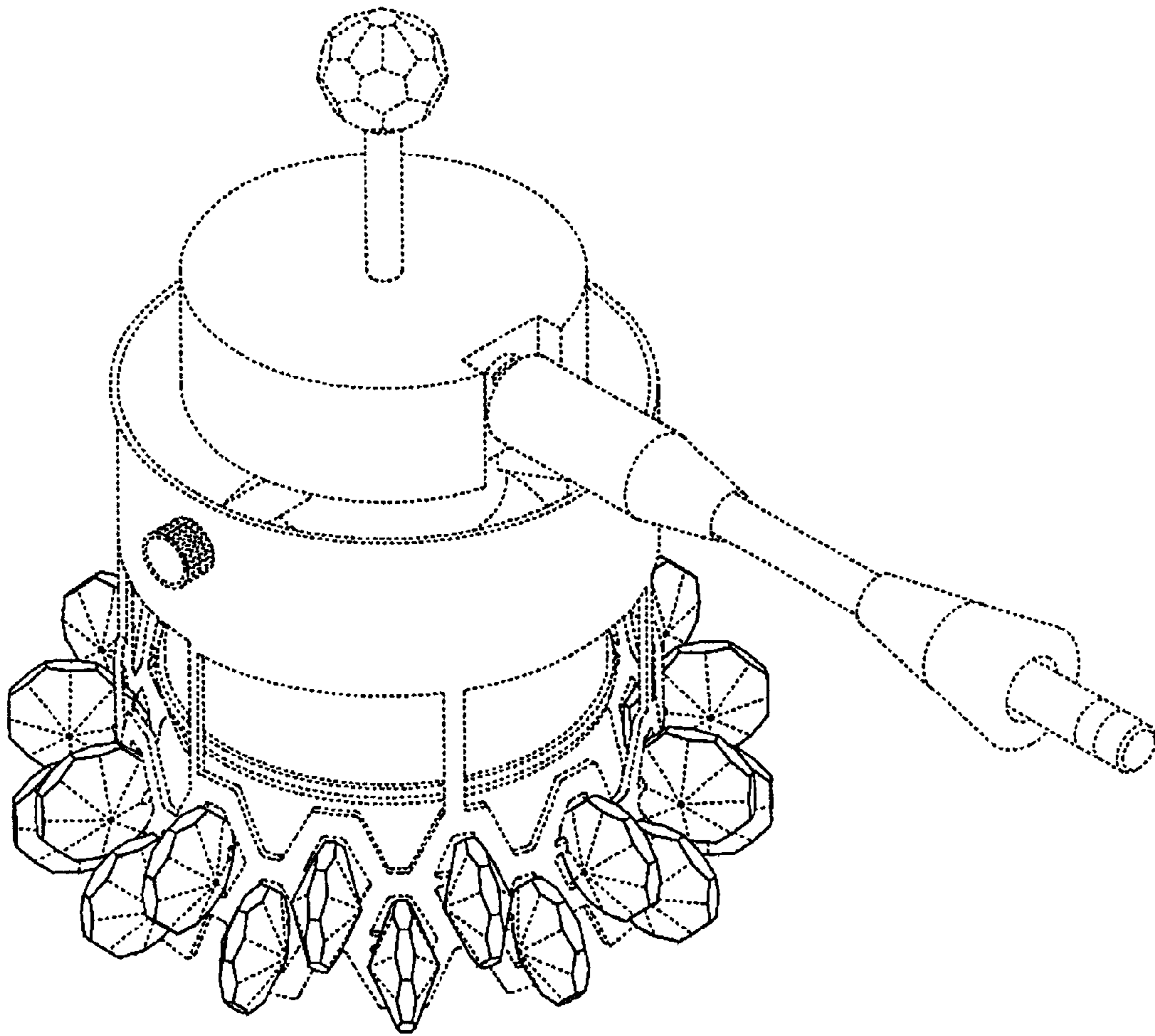


FIG 1

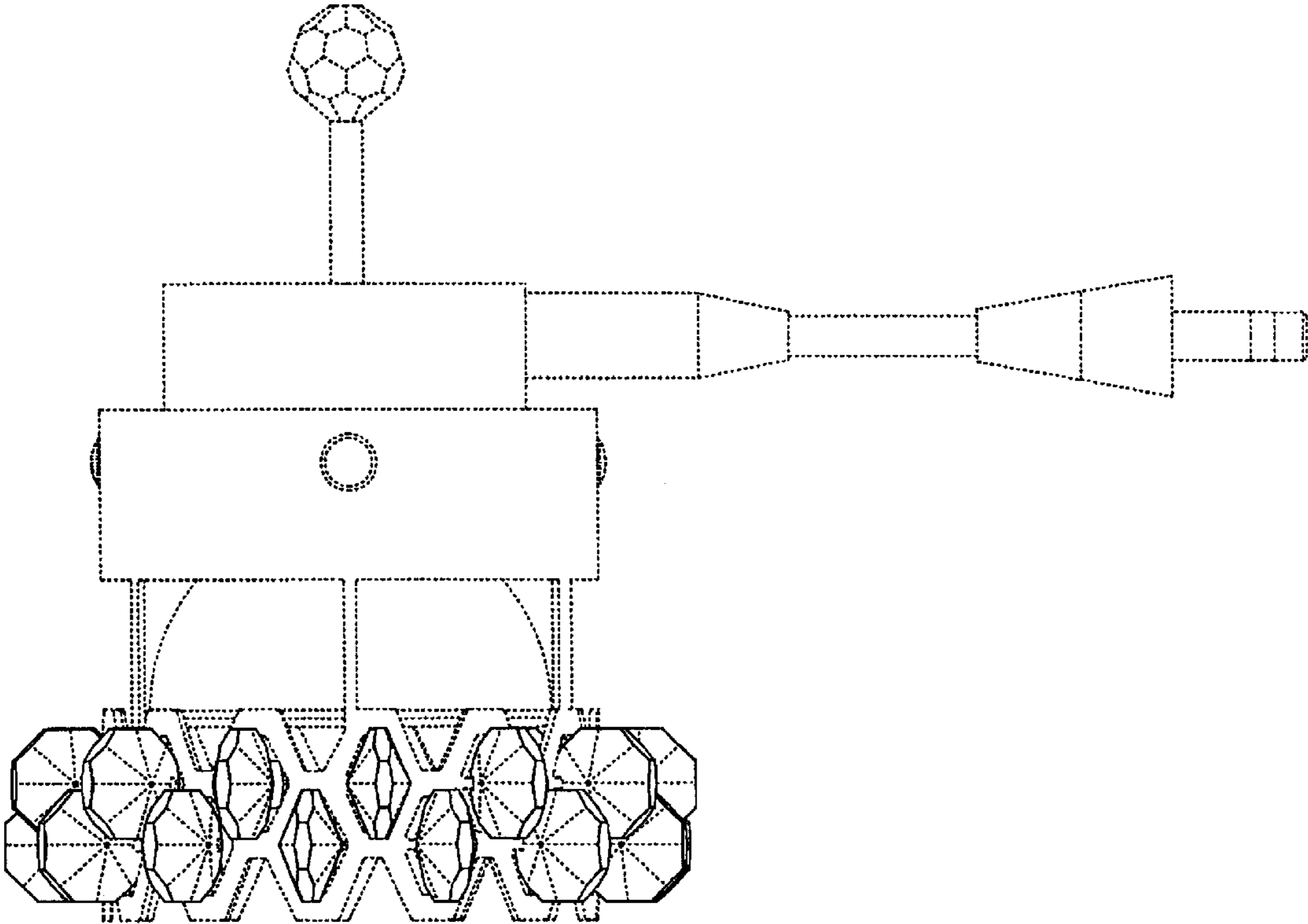


FIG 2

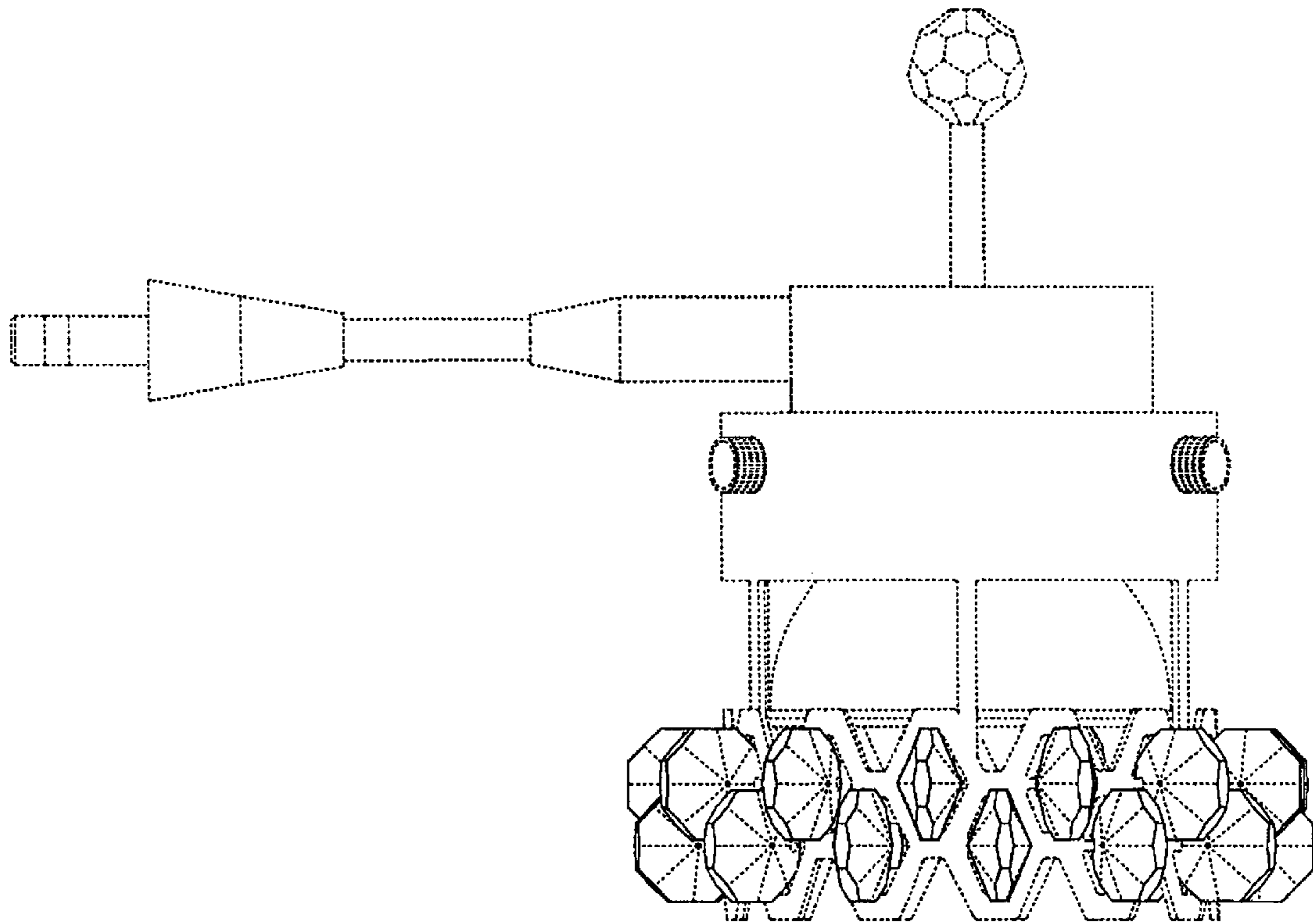


FIG 3



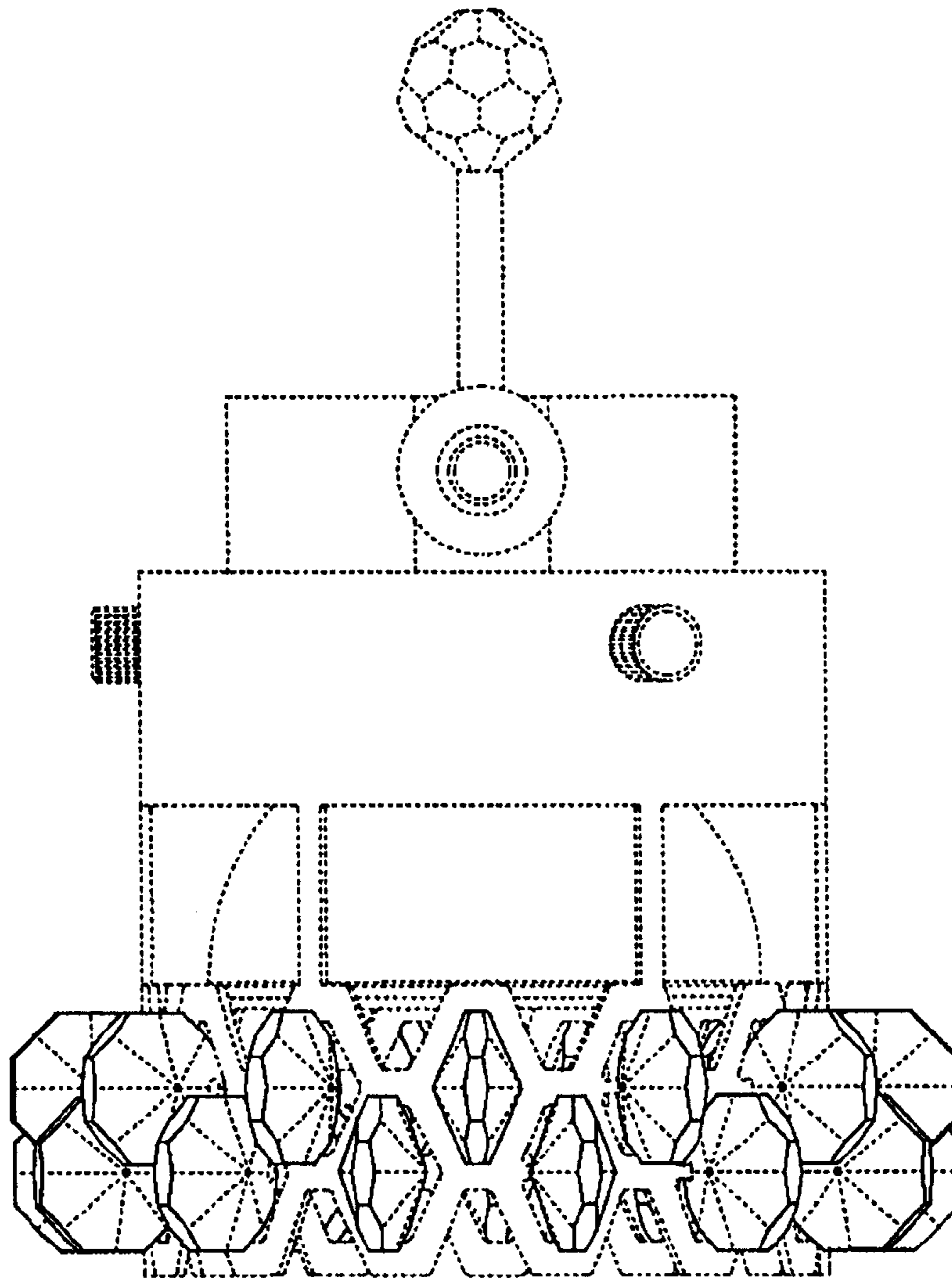


FIG 4

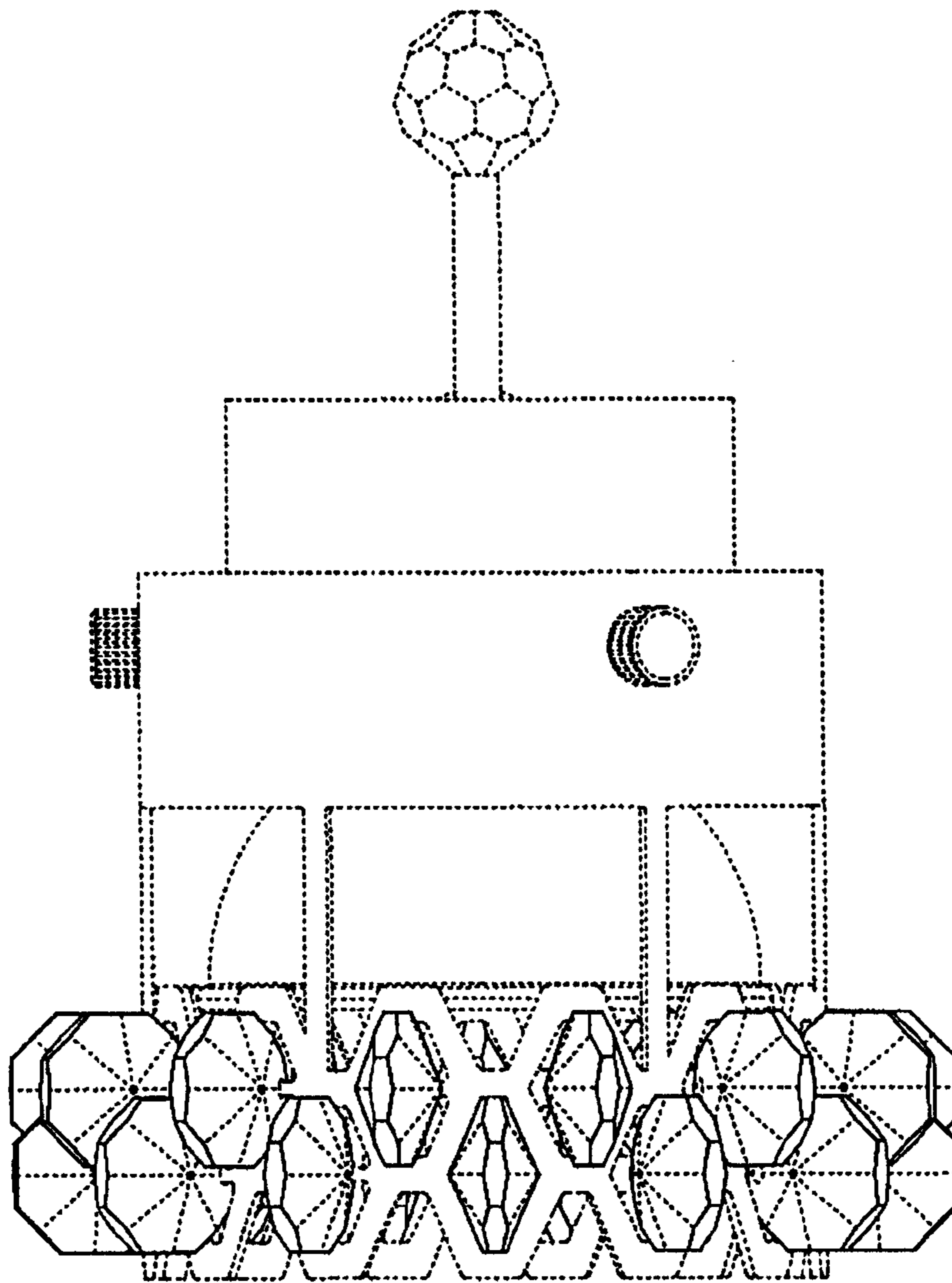


FIG 5

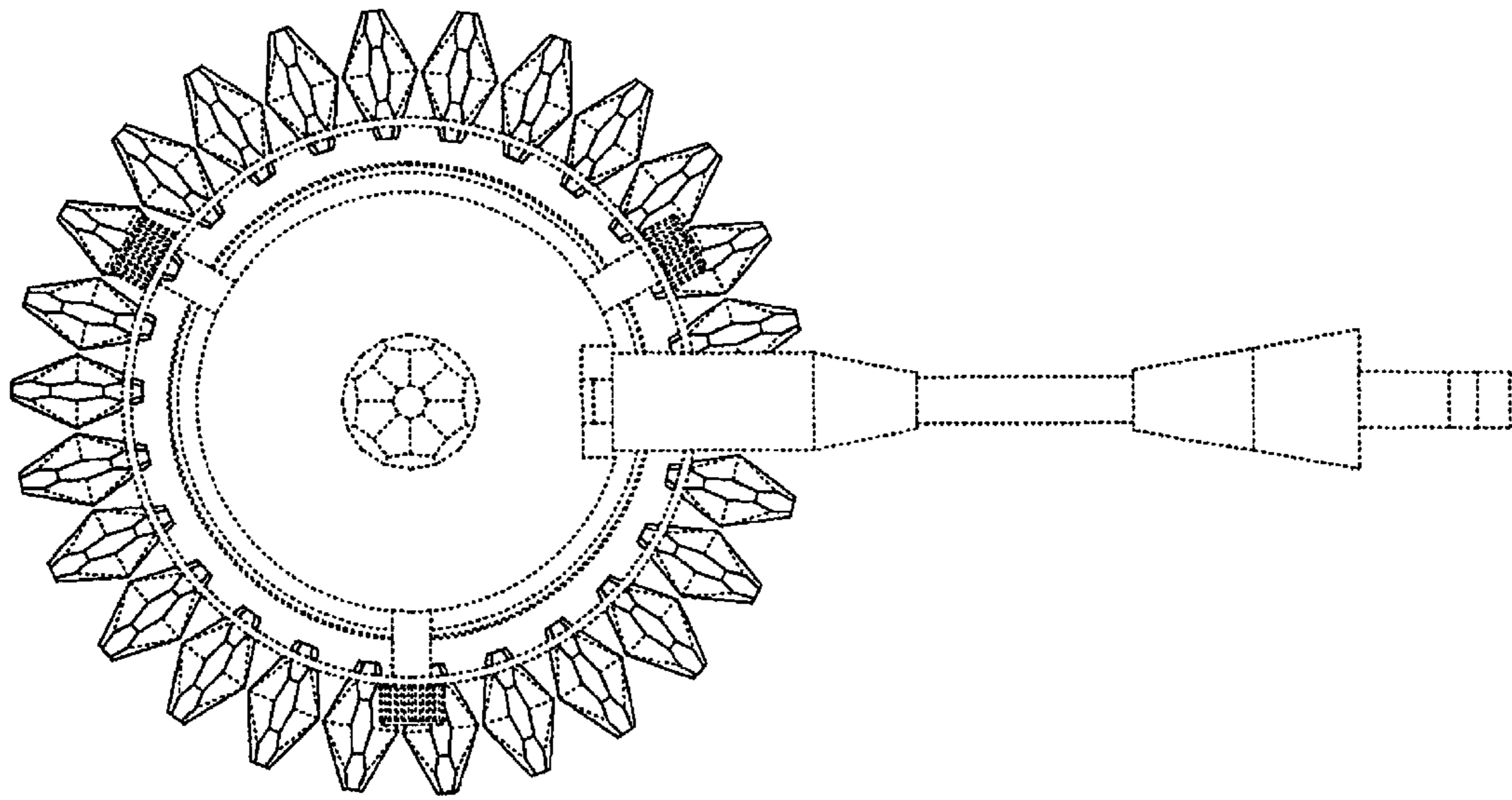


FIG 6

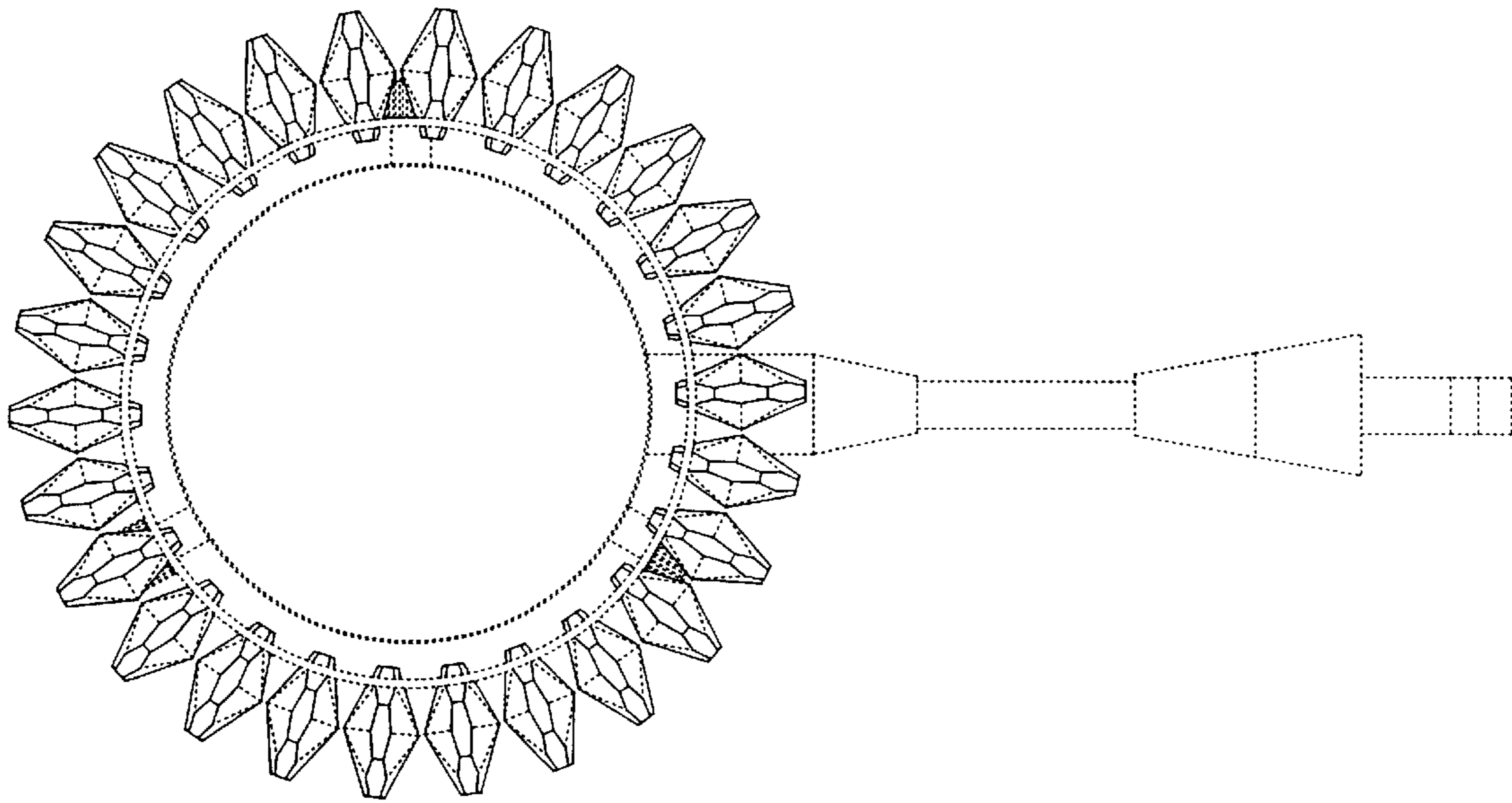


FIG 7



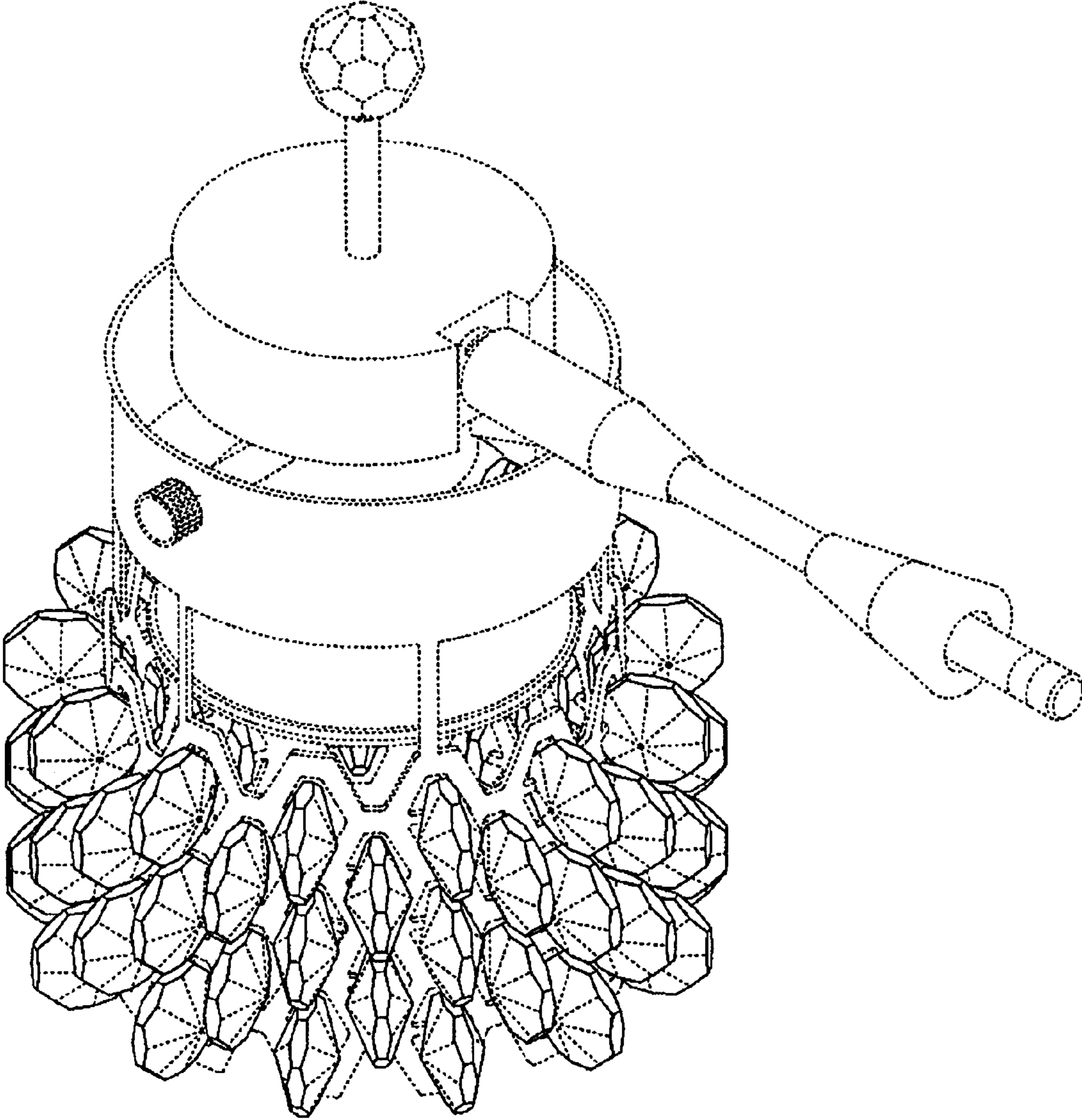


FIG 8

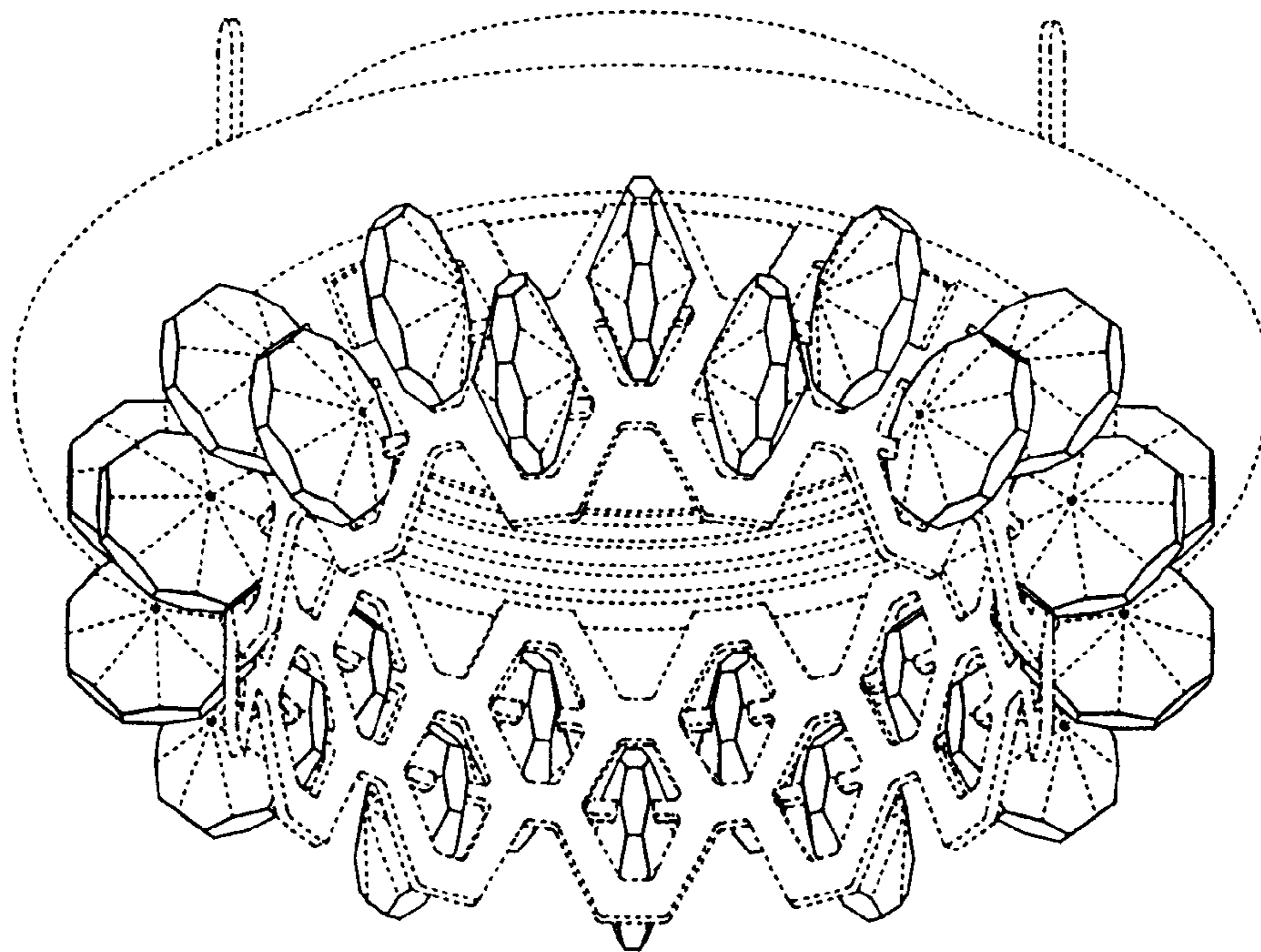


FIG 9

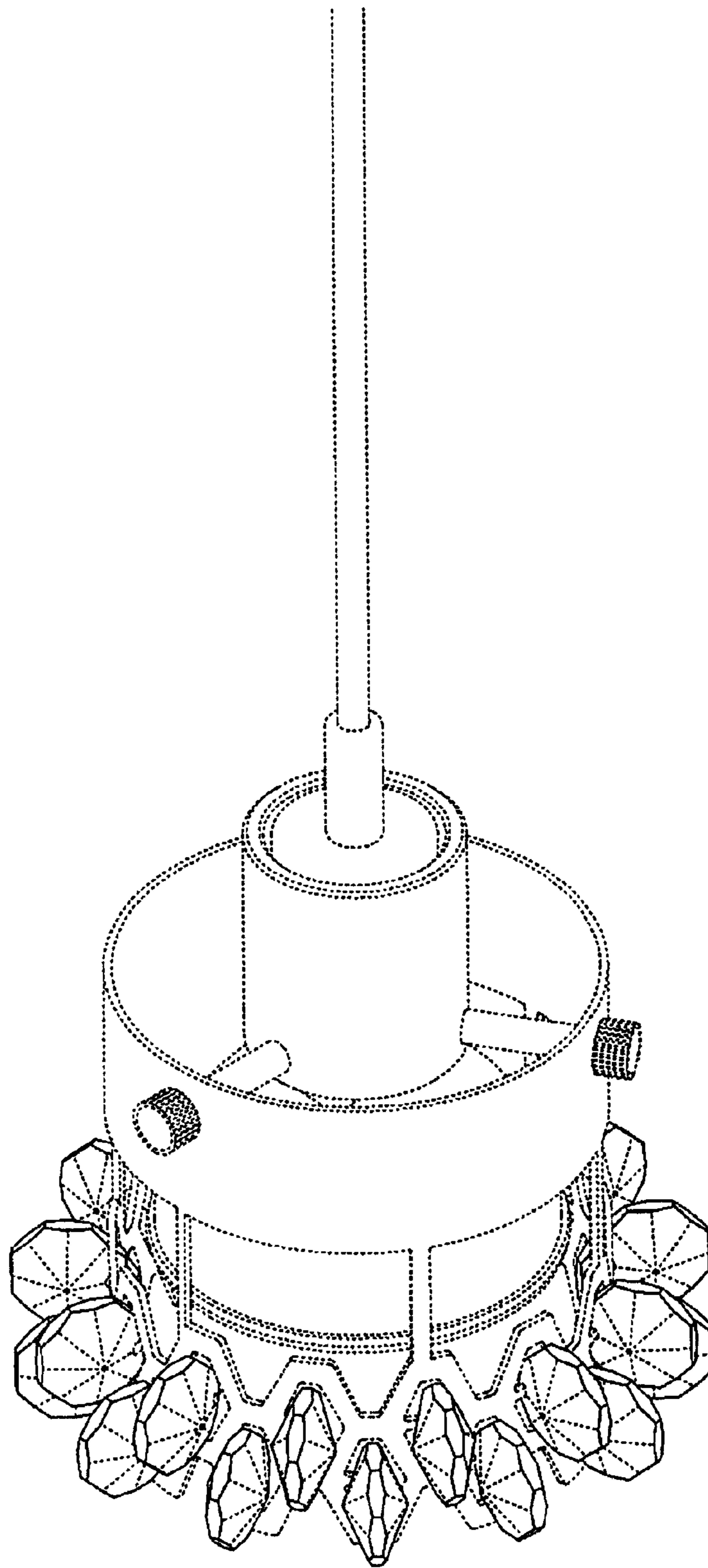


FIG 10