



US00D518226S

(12) **United States Design Patent**  
**Schuyler et al.**

(10) **Patent No.:** **US D518,226 S**

(45) **Date of Patent:** **\*\* Mar. 28, 2006**

(54) **LIGHT FIXTURE**

(75) Inventors: **Andrew Schuyler**, Colchester, VT (US); **Chad Recore**, Peru, NY (US); **Andrew Schonbek**, Plattsburgh, NY (US)

(73) Assignee: **Schonbek Worldwide Lighting Inc.**, Plattsburgh, NY (US)

(\*\*) Term: **14 Years**

(21) Appl. No.: **29/221,188**

(22) Filed: **Jan. 12, 2005**

(51) **LOC (8) Cl.** ..... **26-99**

(52) **U.S. Cl.** ..... **D26/154; D26/138; D26/61**

(58) **Field of Classification Search** ..... D26/154,

D26/138, 113, 81, 84, 88; D11/90; 362/404-406,

362/457, 806; 63/26-28, 32

See application file for complete search history.

(56) **References Cited**

**U.S. PATENT DOCUMENTS**

D55,512 S	*	6/1920	Heller	.....	D11/90
D56,949 S	*	1/1921	Tatler	.....	D11/90
1,560,414 A	*	11/1925	De Haan	.....	63/32
3,619,599 A	*	11/1971	Hermanson	.....	362/250
3,943,353 A	*	3/1976	Tada	.....	362/404
5,109,325 A	*	4/1992	Bayer et al.	.....	362/433
5,116,009 A	*	5/1992	Bayer	.....	248/303
5,144,541 A	*	9/1992	Schonbek	.....	362/405
5,222,805 A	*	6/1993	Schonbek et al.	.....	362/405
5,241,460 A	*	8/1993	Schonbek	.....	362/405
5,285,364 A	*	2/1994	Bayer	.....	362/405
5,567,046 A	*	10/1996	Lucas	.....	362/405
5,906,430 A	*	5/1999	Bayer	.....	362/404
5,921,668 A	*	7/1999	Bayer	.....	362/404
6,921,186 B1	*	7/2005	Viskovich	.....	362/404
2005/0172668 A1	*	8/2005	Bayer et al.	.....	63/28

**OTHER PUBLICATIONS**

Basket Sconce with Crystal Accents. Item #92659 from Lamps Plus. Found online at lampsplus.com on Aug. 11, 2005.\*

“Star Dust” by Tokujin Yoshioka from the Swarovski Crystal Palace Collection. Posted at mocoloco.com on May 9, 2005.\*

James R. Modor, Strass Crystal Mini Pendant Chandelier. Item #55672 from Lamps Plus. Found online at lampsplus.com on Aug. 11, 2005.\*

James R. Modor, Sapphire Mini Pendant Chandelier. Item #55666 from Lamps Plus. Found online at lampsplus.com on Aug. 11, 2005.\*

WAC Catalog (c) 2004, Quick Connect Fixtures, p. 6.

WAC Catalog (c) 2004, Low Voltage Pendants, p. 104.

WAC Catalog (c) 2004, Quick Connect Fixtures, p. 7.

<http://www.lblighting.com>, Merlino Swivel II, one page.

<http://www.lblighting.com>, Merlino, one page.

\* cited by examiner

*Primary Examiner*—Clare E Heflin

(74) *Attorney, Agent, or Firm*—Heslin Rothenberg Farley & Mesiti P.C.

(57) **CLAIM**

The ornamental design for a light fixture, as shown and described.

**DESCRIPTION**

FIG. 1 is an isometric view of a first embodiment of the light fixture of the present invention;

FIG. 2 is a right side elevation view thereof;

FIG. 3 is a left side elevation view thereof;

FIG. 4 is a rear elevation view thereof;

FIG. 5 is a front elevation view thereof;

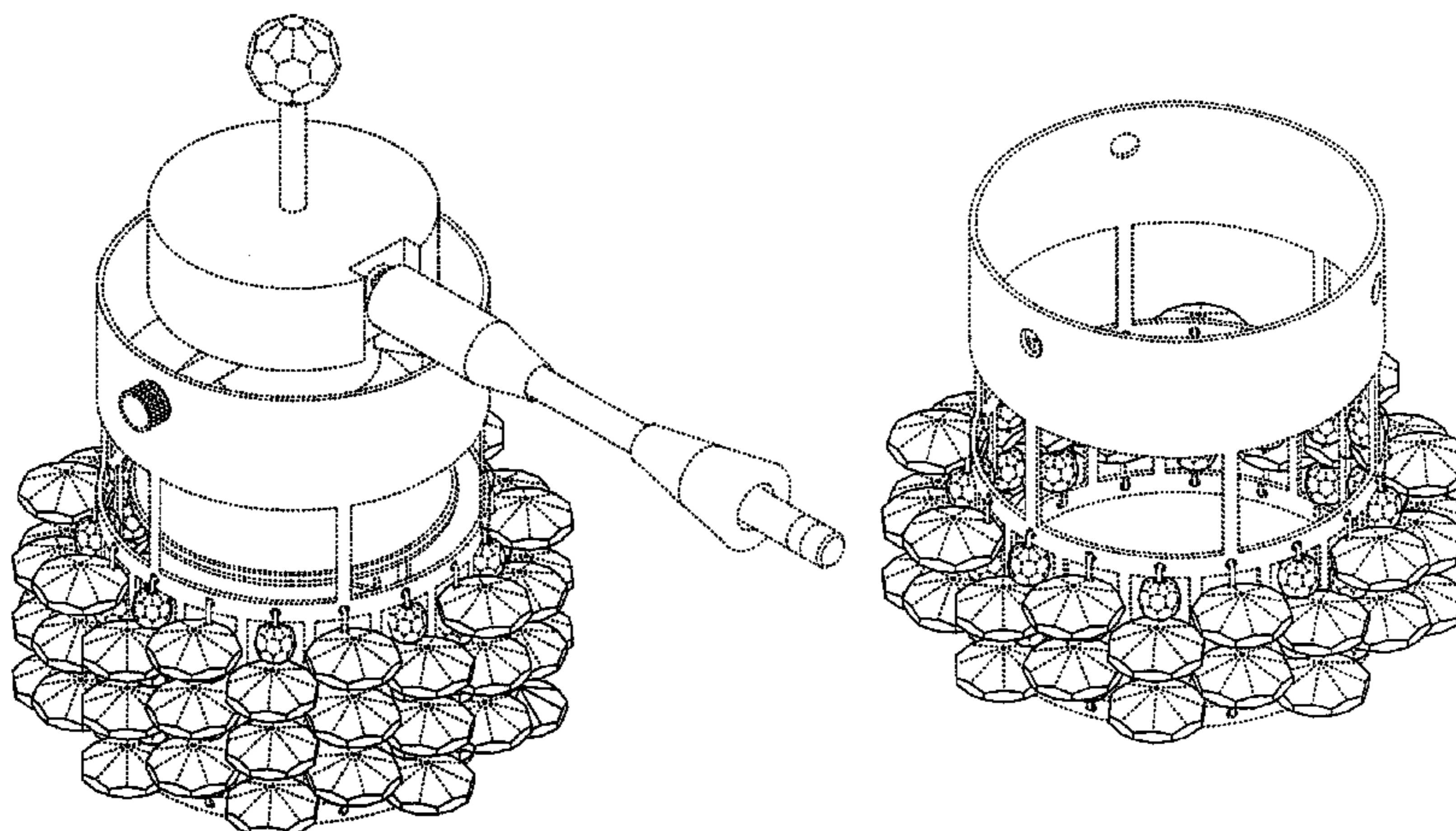
FIG. 6 is a top plan view thereof;

FIG. 7 is a bottom plan view thereof; and,

FIG. 8 is an isometric view of a second embodiment which differs from the first embodiment only in the number of rings of ornaments.

The broken line showing is for illustrative purposes only and forms no part of the claimed invention.

**1 Claim, 8 Drawing Sheets**



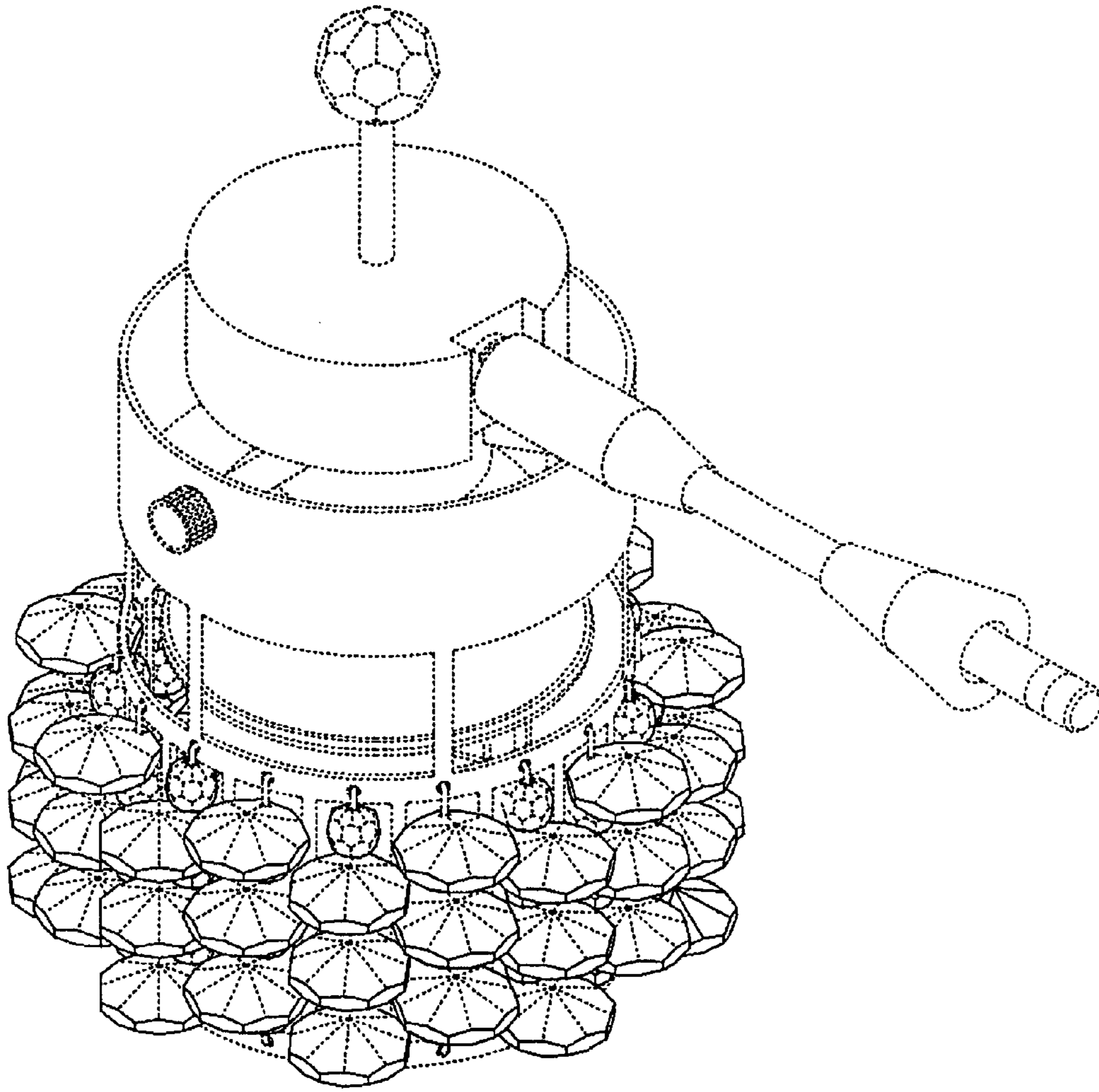


FIG 1

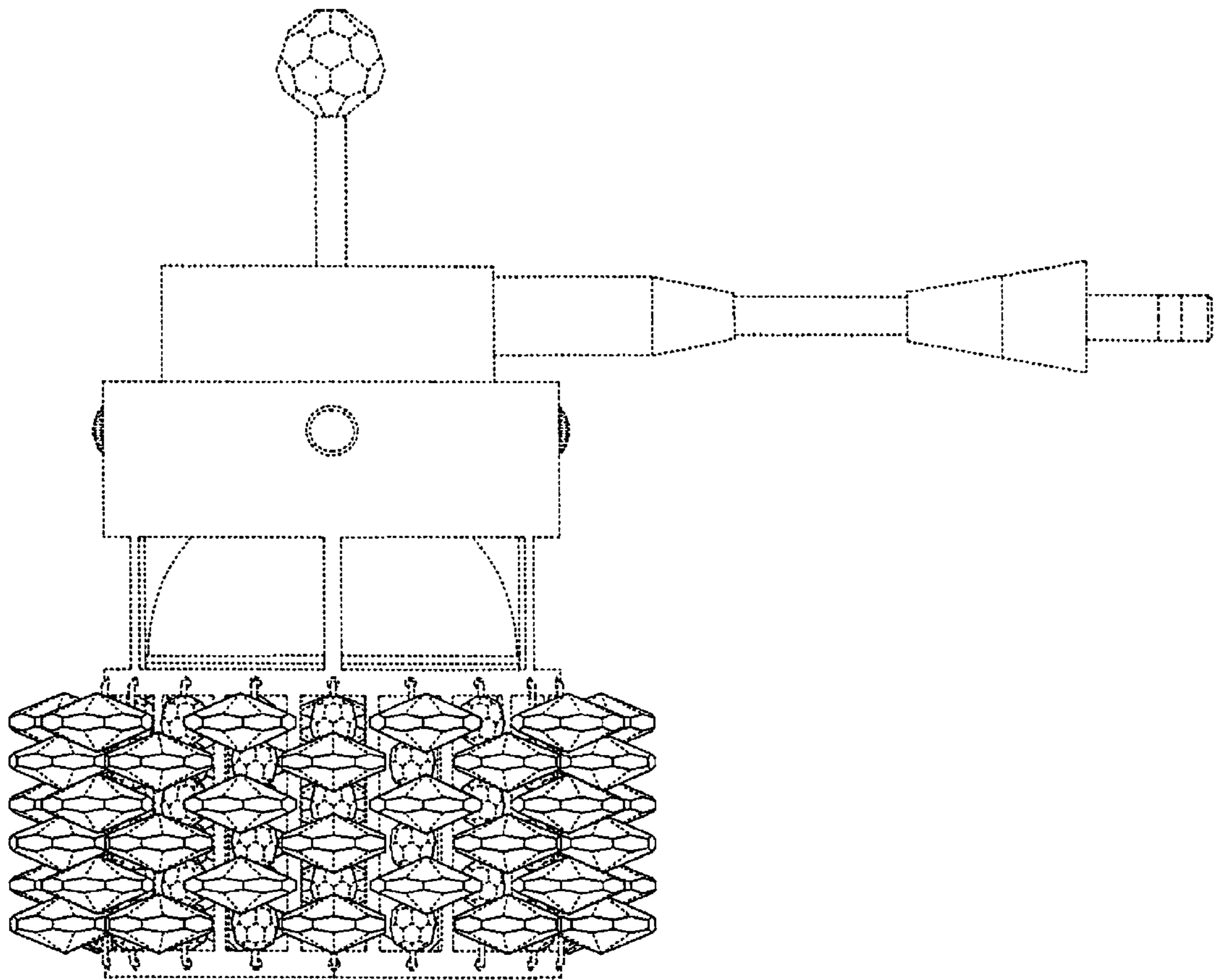


FIG 2

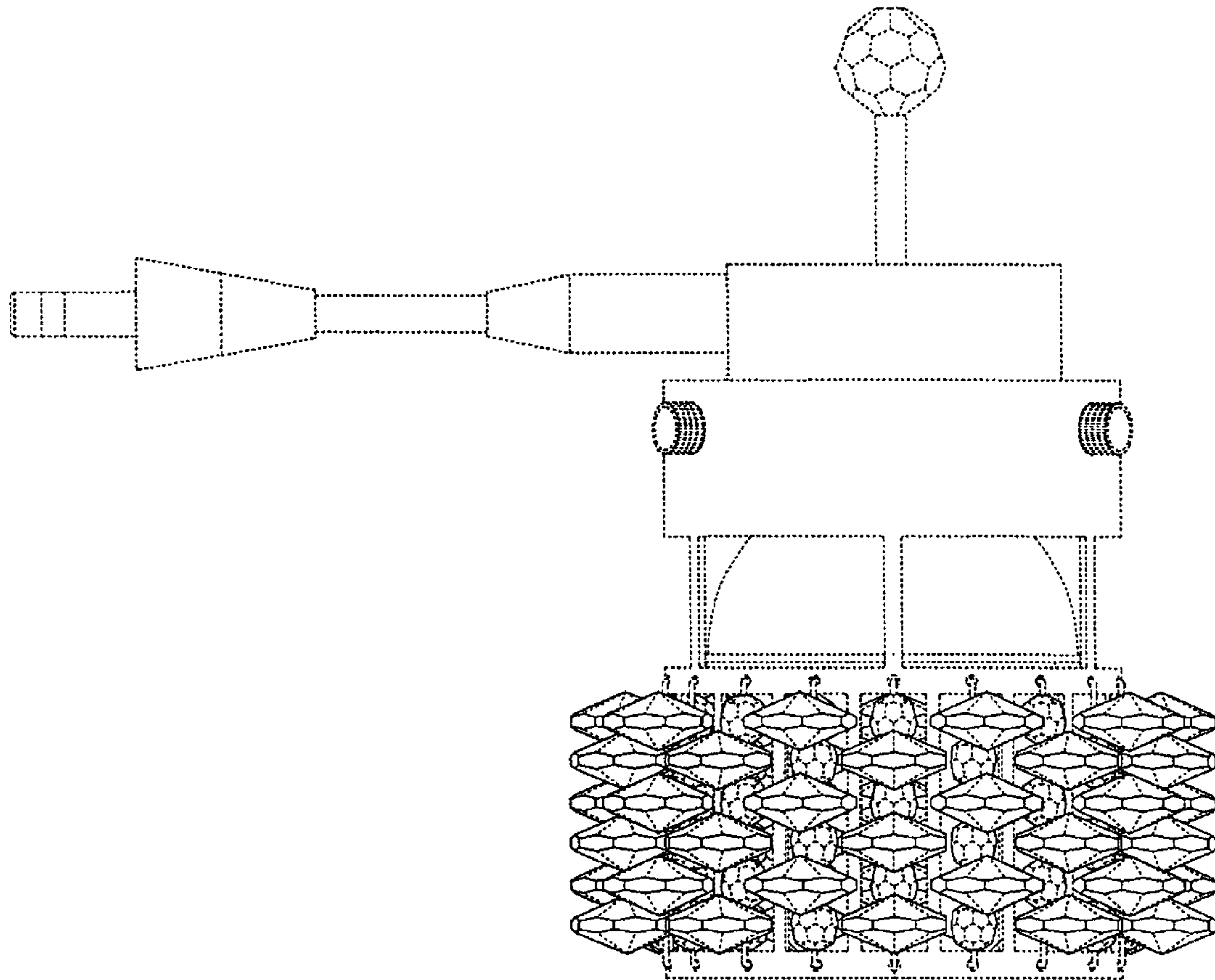


FIG 3

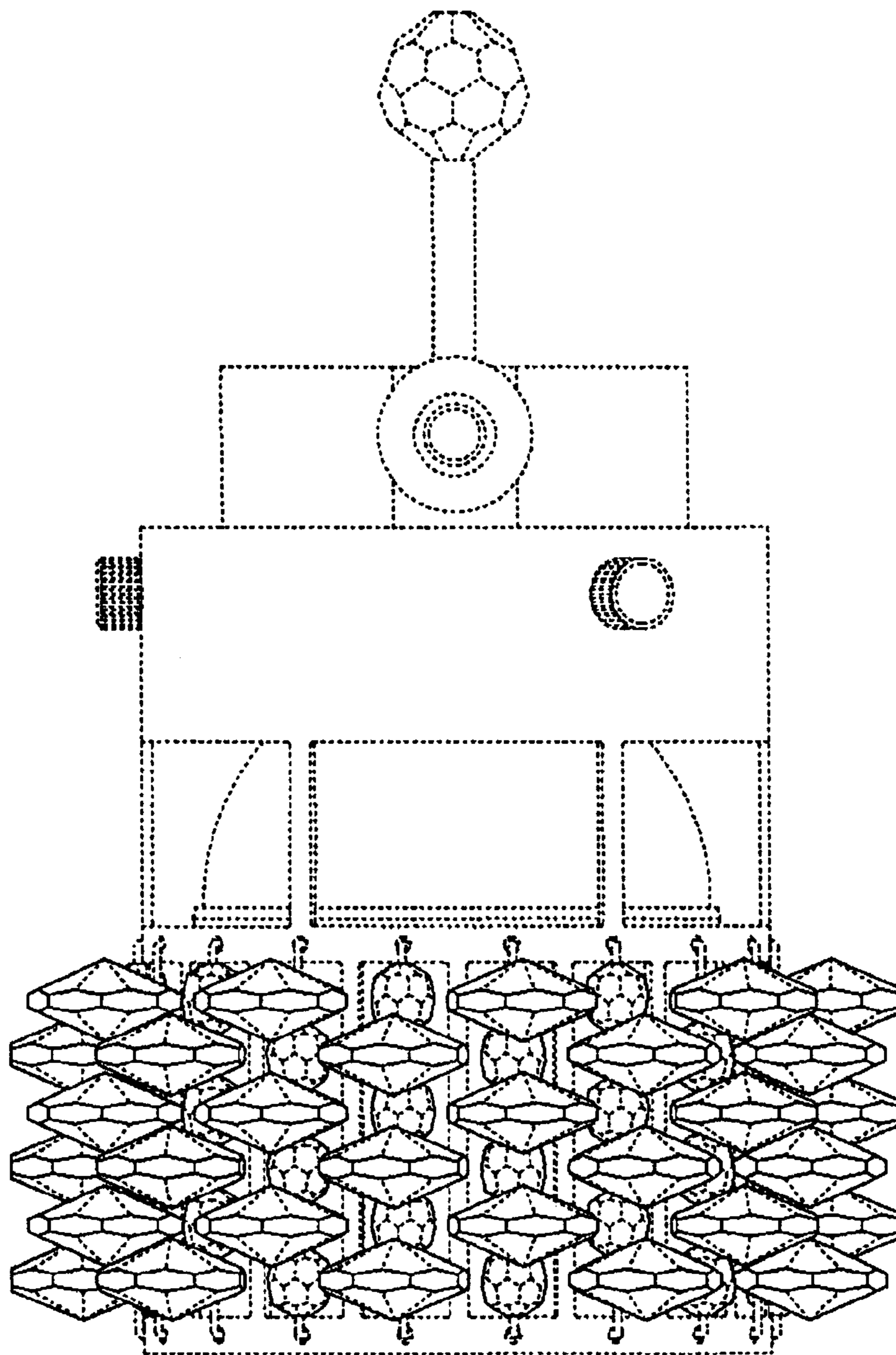


FIG 4

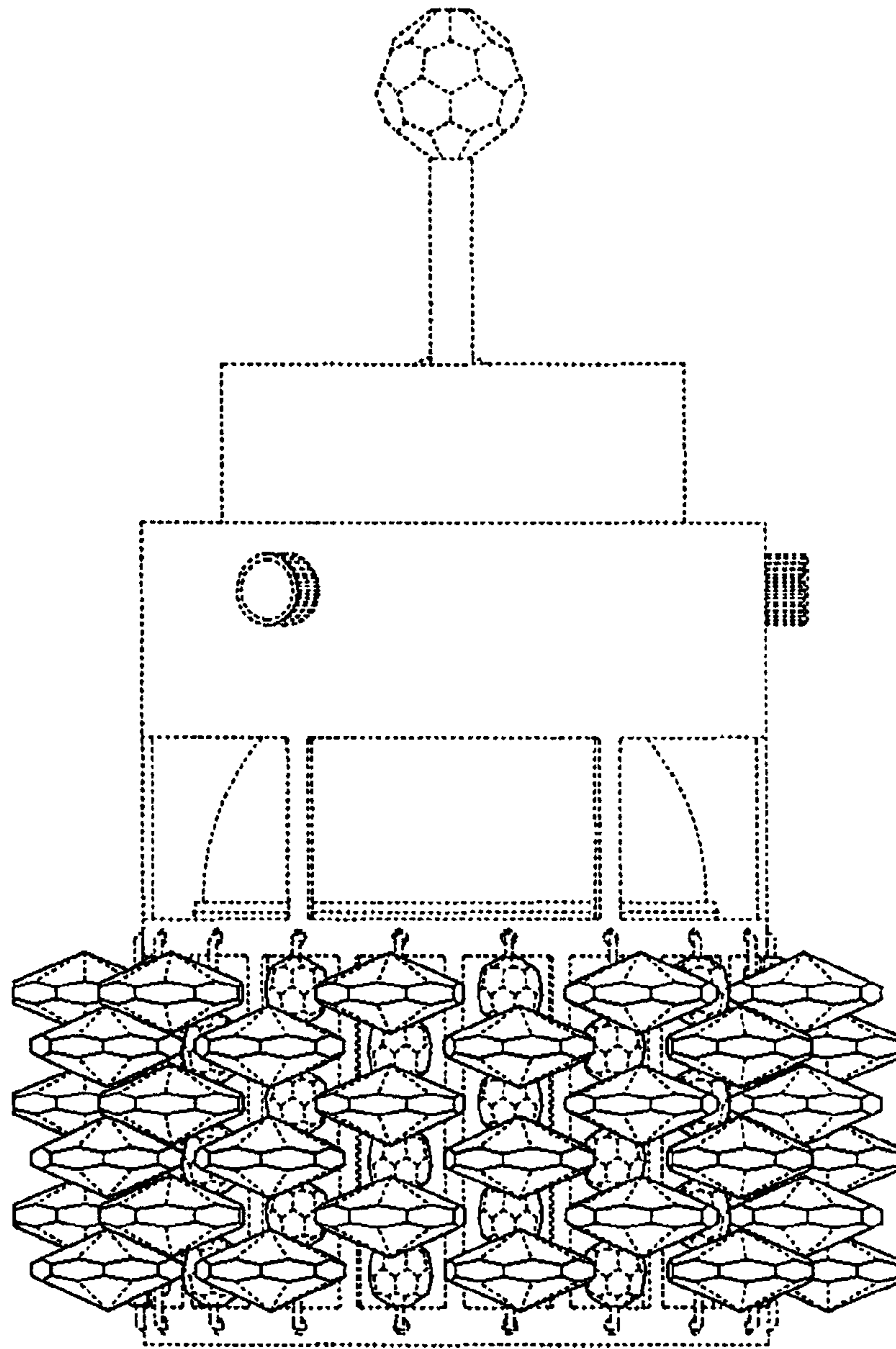


FIG 5

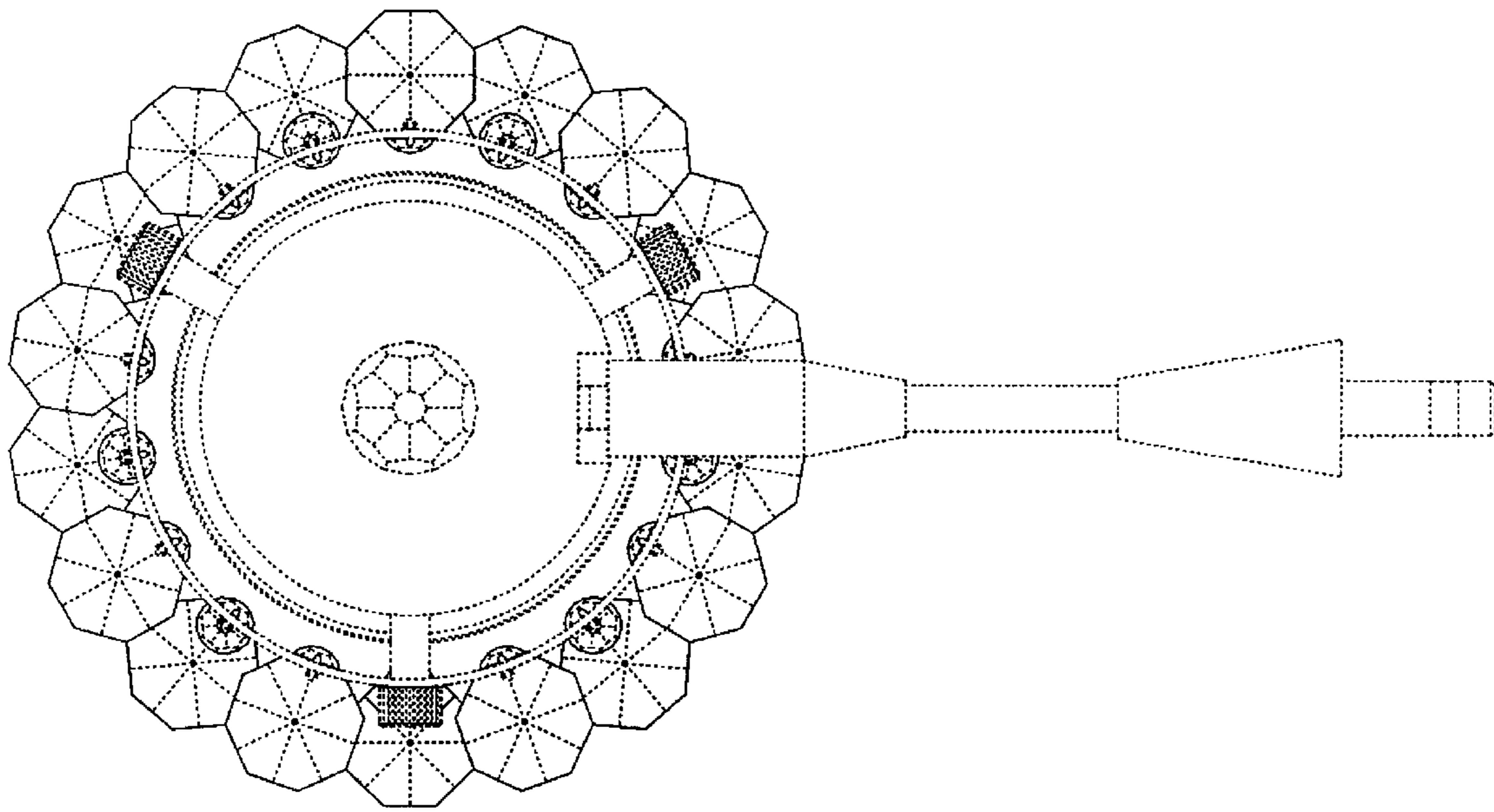


FIG 6

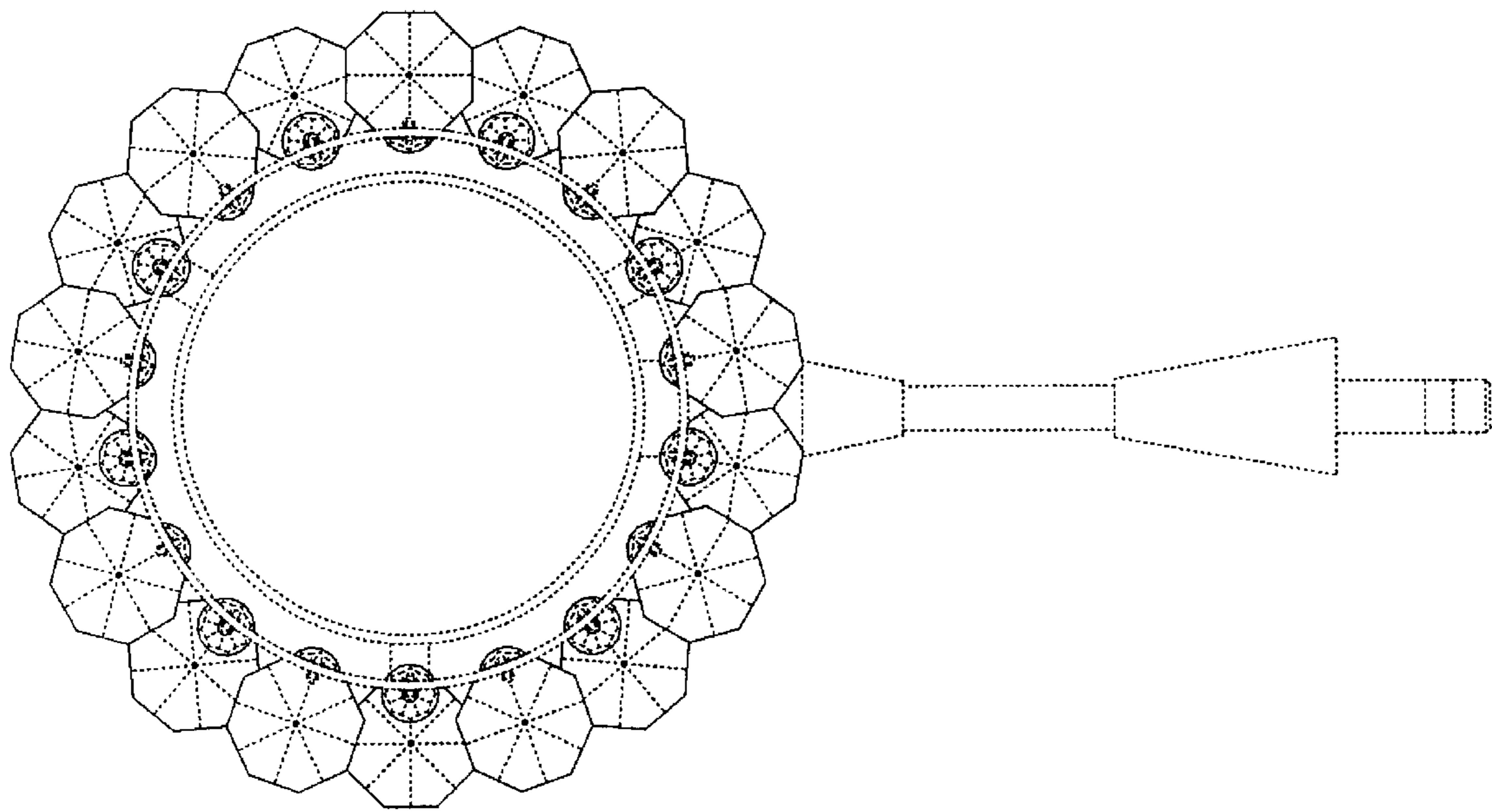


FIG 7



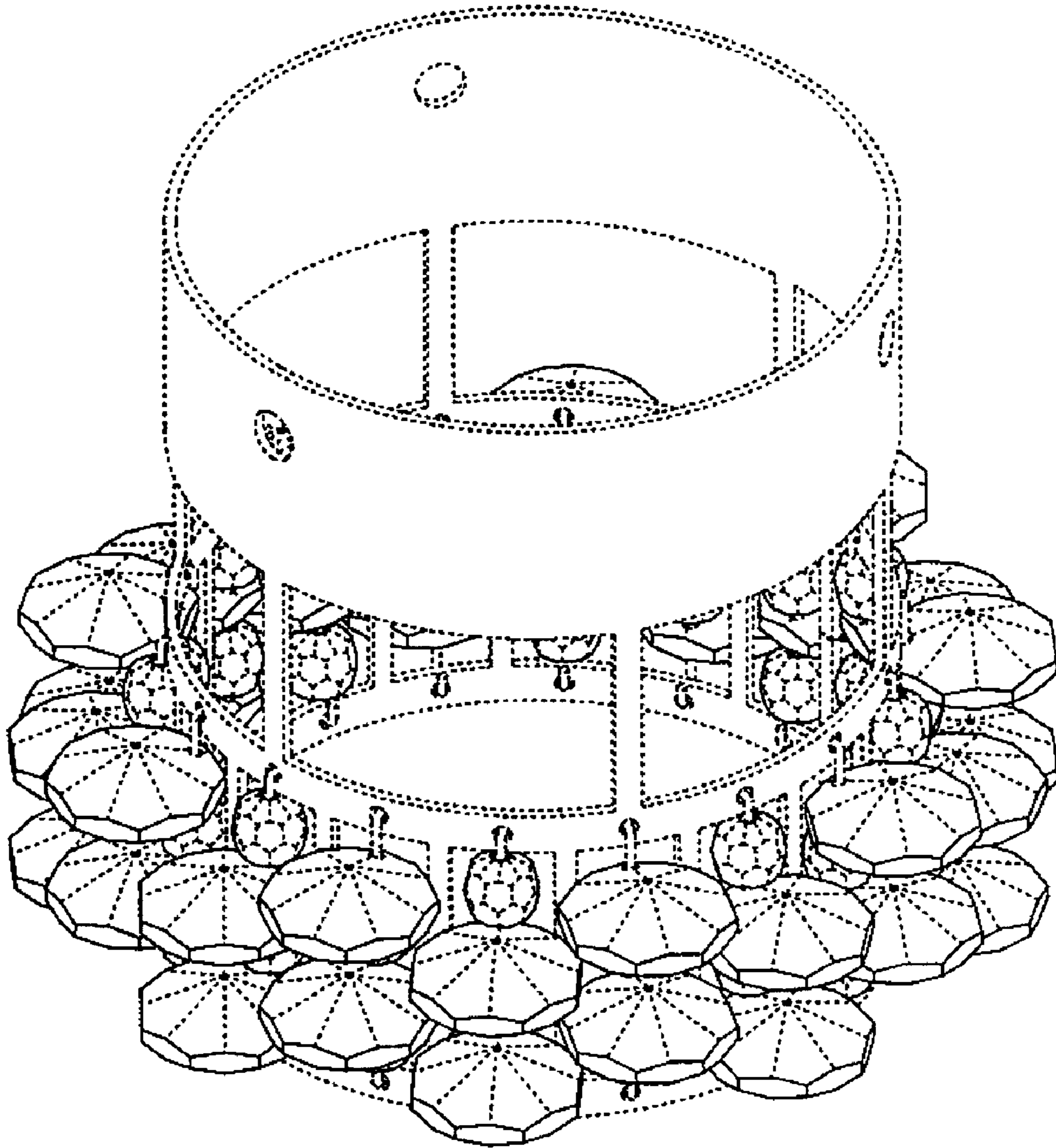


FIG 8