



US00D518223S

(12) **United States Design Patent**  
**Miranda**

(10) **Patent No.:** **US D518,223 S**  
(45) **Date of Patent:** **\*\* Mar. 28, 2006**

(54) **LIGHTING FIXTURE**

(76) Inventor: **Pasquale Miranda**, 63- 2nd St., Garden City, NY (US) 11530

(\*\*) Term: **14 Years**

(21) Appl. No.: **29/211,514**

(22) Filed: **Aug. 17, 2004**

(51) **LOC (8) Cl.** ..... **26-05**

(52) **U.S. Cl.** ..... **D26/84**

(58) **Field of Classification Search** ..... D26/72,  
D26/80, 83-87, 92, 145, 155; 362/147, 432,  
362/404-408, 806

See application file for complete search history.

(56) **References Cited**

**U.S. PATENT DOCUMENTS**

D53,186 S	*	4/1919	Von Lossberg	.....	D26/81
D422,372 S	*	4/2000	Perenzin	.....	D26/73
D436,685 S	*	1/2001	Riccardo	.....	D26/145
D453,229 S	*	1/2002	Phillips	.....	D26/81

**OTHER PUBLICATIONS**

SeaGull Lighting Catalog No. 04A, (C)2003. Mini-Pendant 6137-71 on p. 155.\*

Quoizel's 2004 catalog. "Piccolo Pendant" VF 1540IB from the Valley Forge collection on p. 10.\*

"The Big Book" by Murray Feiss, Edition 2004. (2 pages). Item F1834/1 CB from the Tuscan Villa Collection on p. 6; and Item P1056 ES from the Knight Collection on p. 90.\*

\* cited by examiner

*Primary Examiner*—Clare E Heflin

(57) **CLAIM**

The ornamental design of a lighting fixture, as shown and described.

**DESCRIPTION**

FIG. 1 is a perspective view of lighting fixture showing my new design;

FIG. 2 is a front elevational view thereof, the rear elevational view being a mirror image;

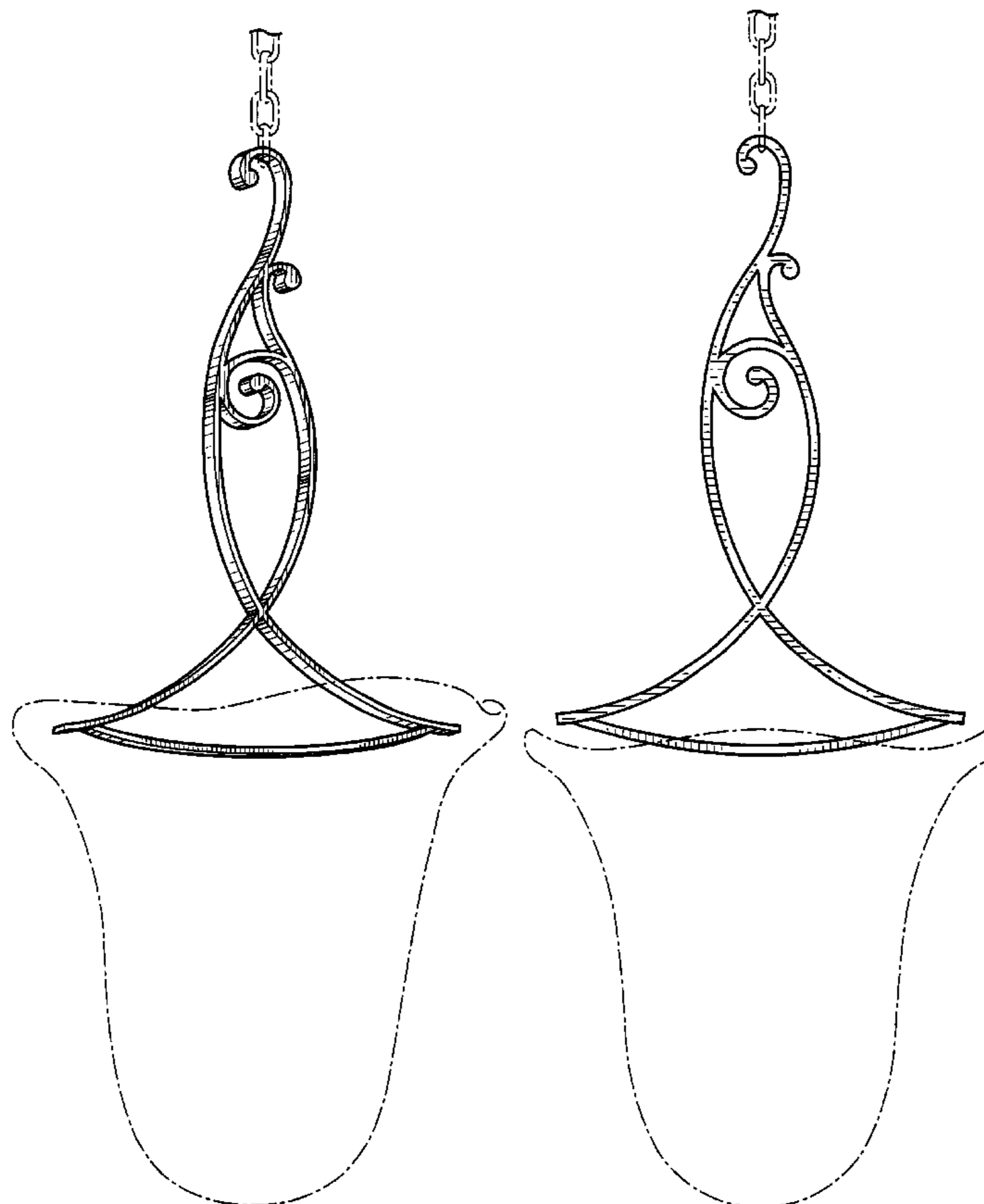
FIG. 3 is a left side elevational view thereof;

FIG. 4 is a right side elevational view thereof; and,

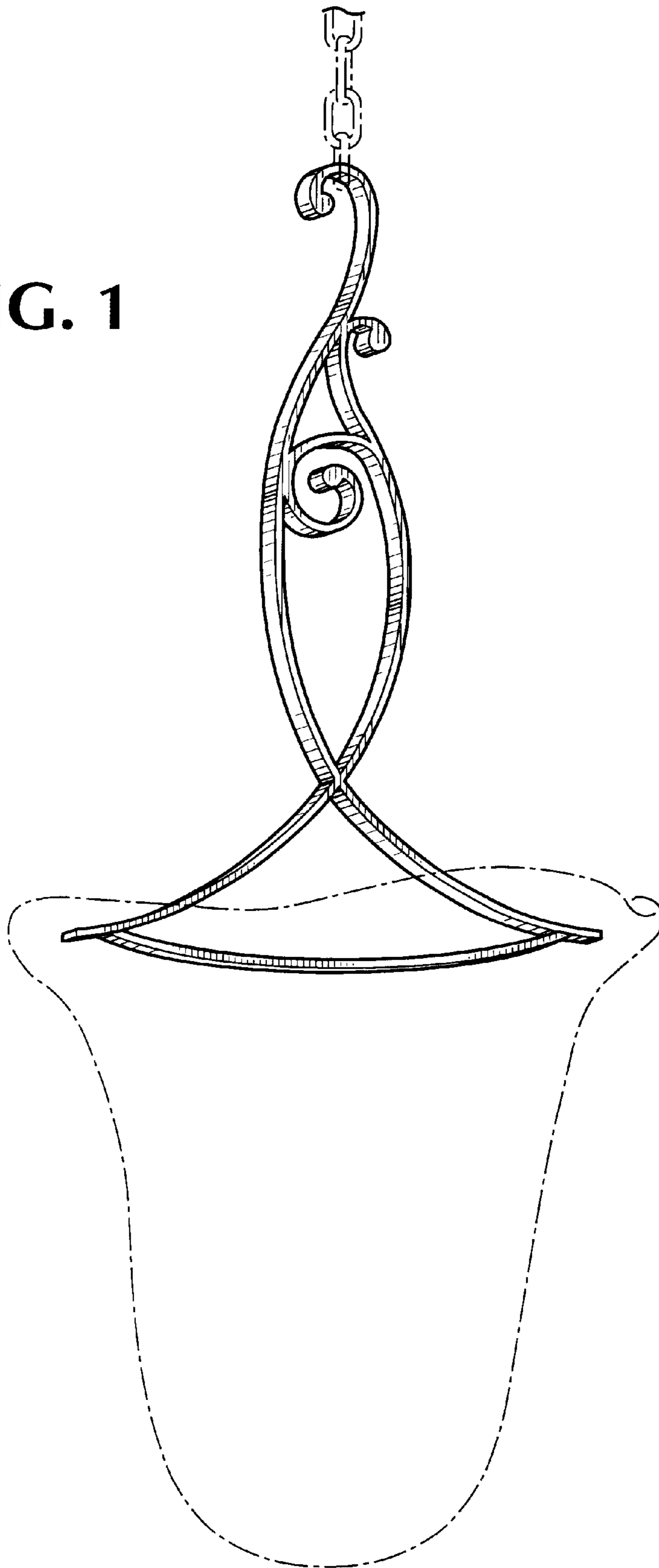
FIG. 5 is a top plan view thereof.

The broken-line showing of environmental structures in FIGS. 1-5 is for illustrative purposes only and forms no part of the claimed design.

**1 Claim, 4 Drawing Sheets**



**FIG. 1**



**FIG. 2**

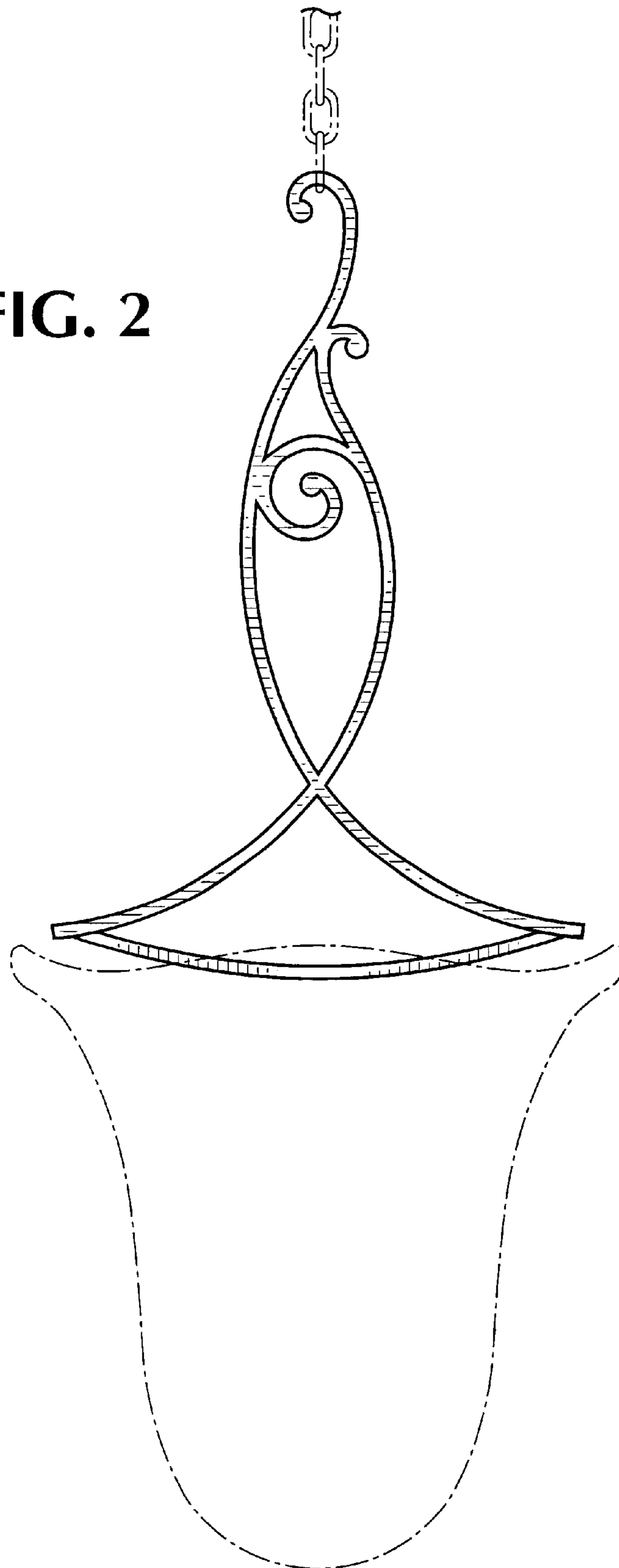


FIG. 3

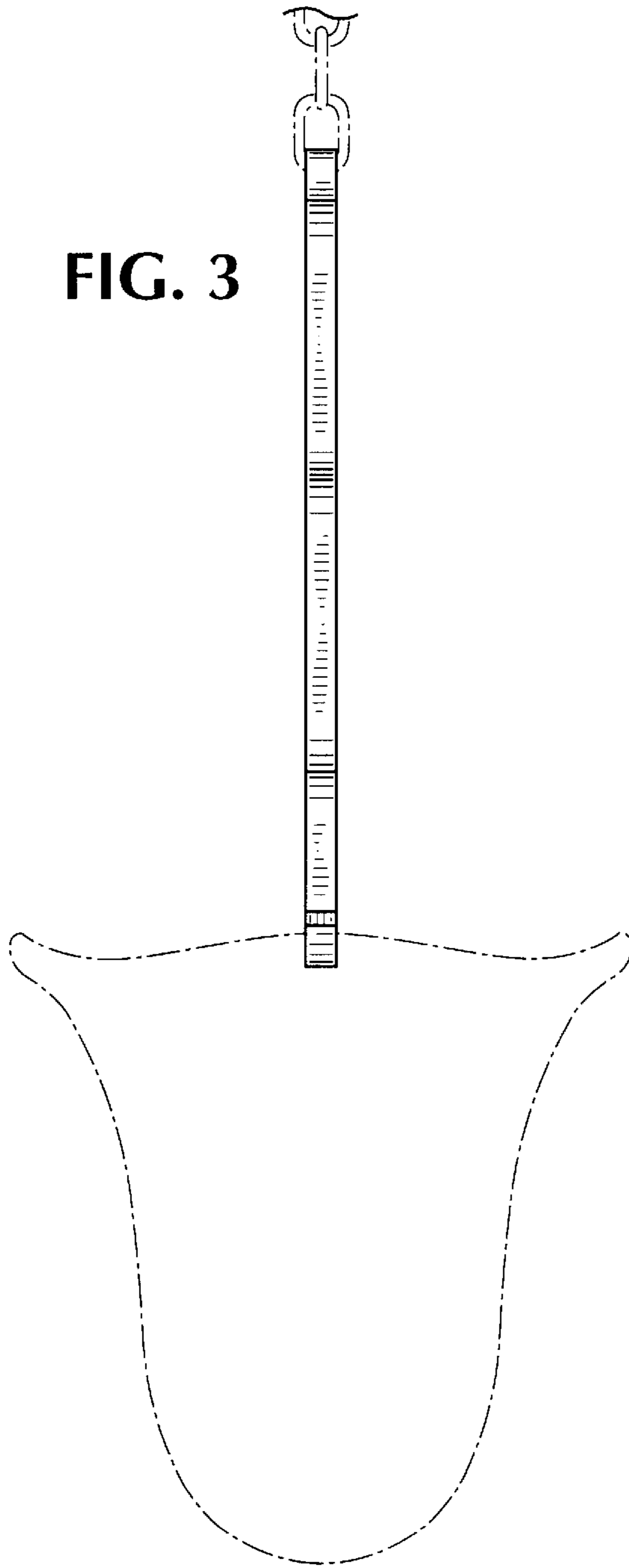
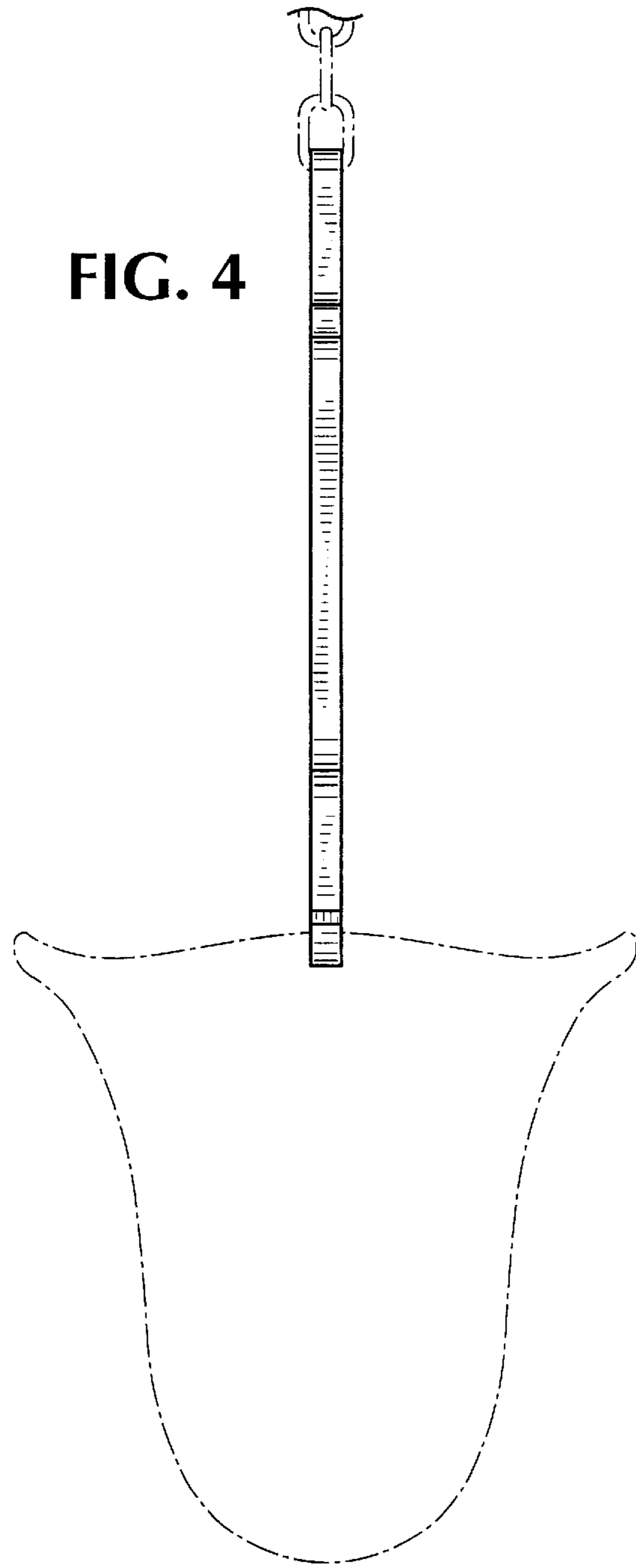


FIG. 4



**FIG. 5**

