



US00D518222S

(12) **United States Design Patent**
Harbaugh

(10) **Patent No.:** **US D518,222 S**
(45) **Date of Patent:** **** Mar. 28, 2006**

(54) **LIGHT FIXTURE**

(76) Inventor: **Kenneth A. Harbaugh**, 9886
Riverwood Ct., Douglasville, GA (US)
30135

(**) Term: **14 Years**

(21) Appl. No.: **29/226,215**

(22) Filed: **Mar. 24, 2005**

(51) **LOC (8) Cl.** **26-05**

(52) **U.S. Cl.** **D26/68**

(58) **Field of Classification Search** D26/67-71;
362/153, 153.1, 183-185, 362, 363, 431,
362/805

See application file for complete search history.

(56) **References Cited**

U.S. PATENT DOCUMENTS

D174,139 S	*	3/1955	Sadler	D26/68
D216,750 S	*	3/1970	Klein	D26/68
D391,384 S	*	2/1998	Lerch	D26/67
D499,833 S	*	12/2004	Chen	D26/68
D506,280 S	*	6/2005	Chen	D26/67

OTHER PUBLICATIONS

Garden Solar Light #'s 206, 215, 223 and 226. Found online at nbhangshun.com on /25/05.*

Solar Garden Lamp found online at hangshun.en.alibaba.com on Aug. 25, 2005.*

* cited by examiner

Primary Examiner—Clare E Heflin

(74) *Attorney, Agent, or Firm*—Kilpatrick Stockton, LLP

(57) **CLAIM**

The ornamental design for a light fixture, substantially as shown and described.

DESCRIPTION

FIG. 1 is a perspective view showing the light fixture;

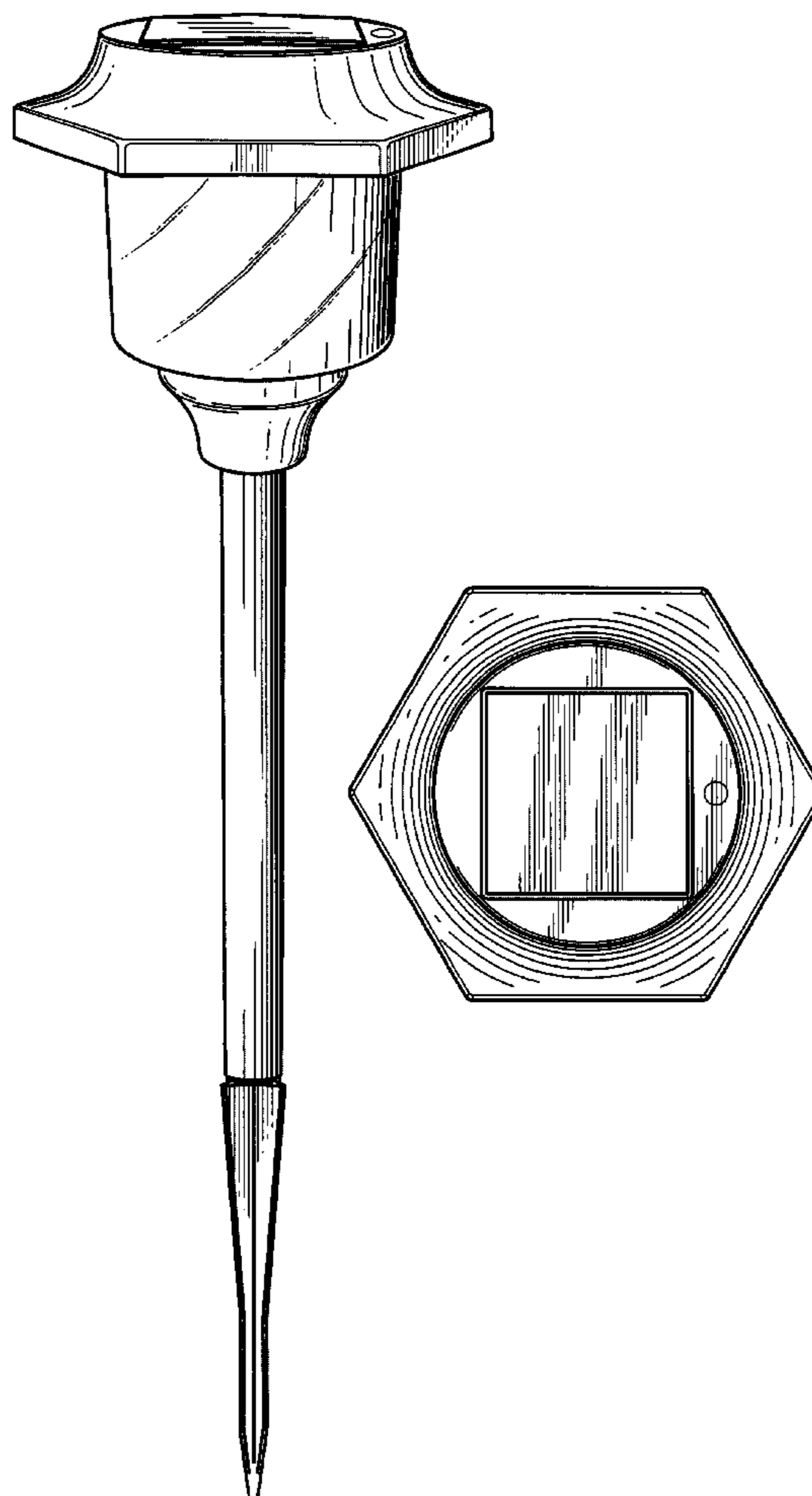
FIG. 2 is a front view thereof, the rear view being the same;

FIG. 3 is a side view thereof, the opposite side view being the same;

FIG. 4 is a top view thereof; and,

FIG. 5 is a bottom view thereof.

1 Claim, 2 Drawing Sheets



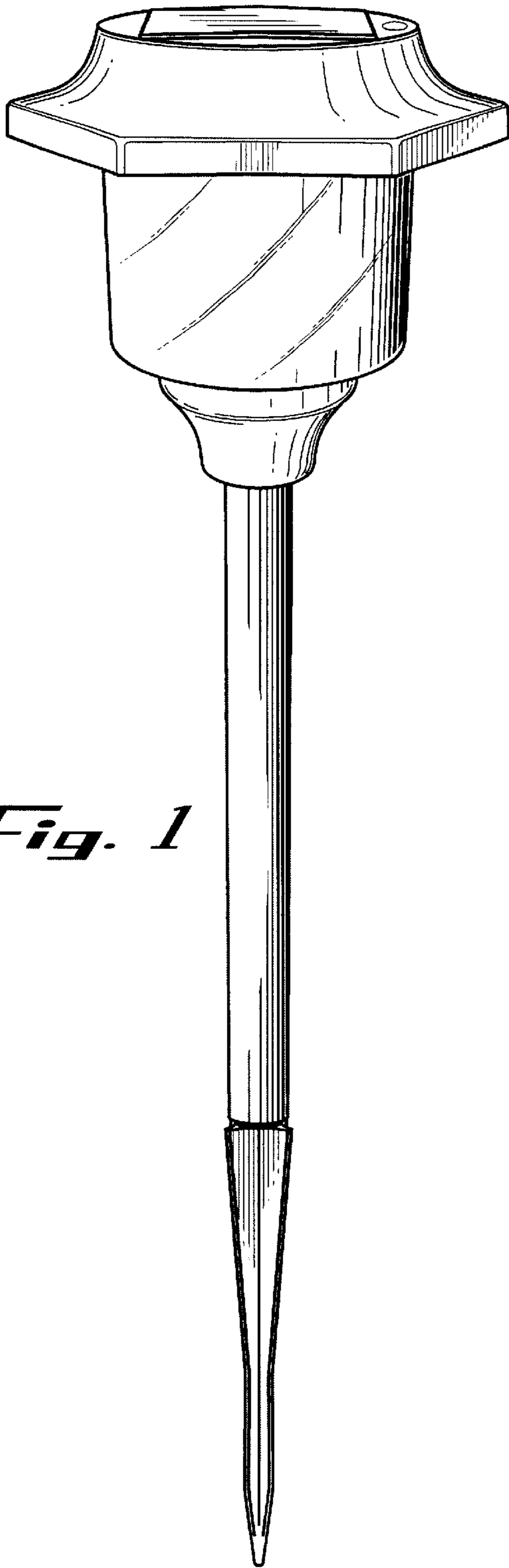


Fig. 1

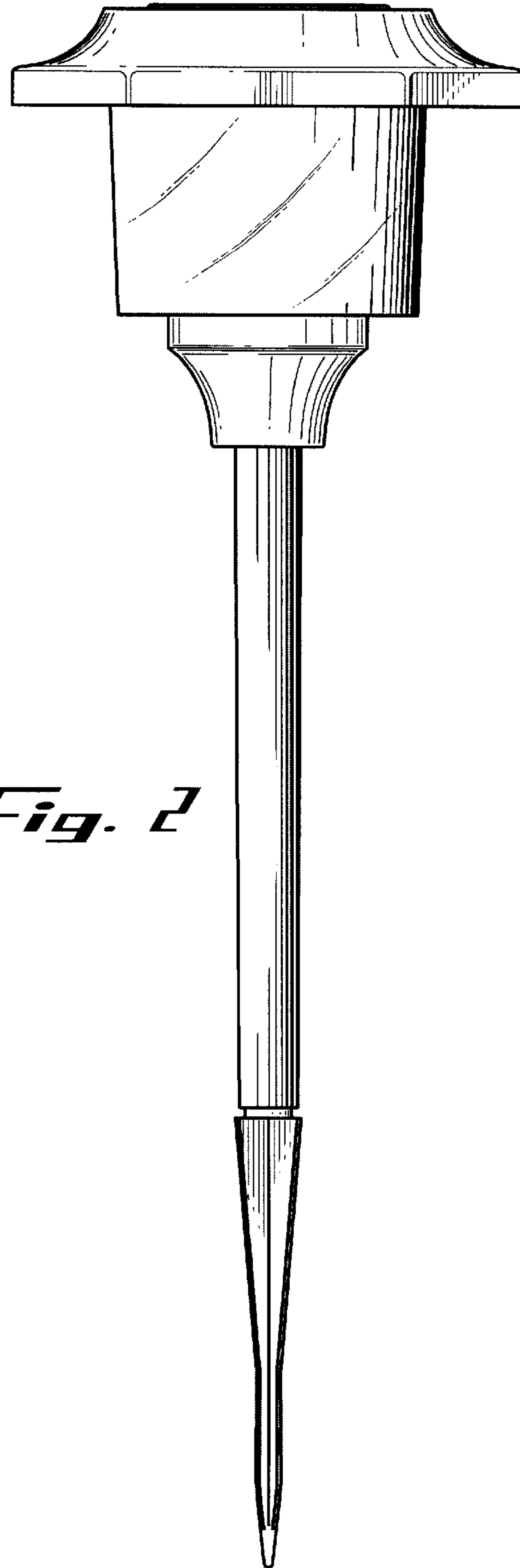


Fig. 2

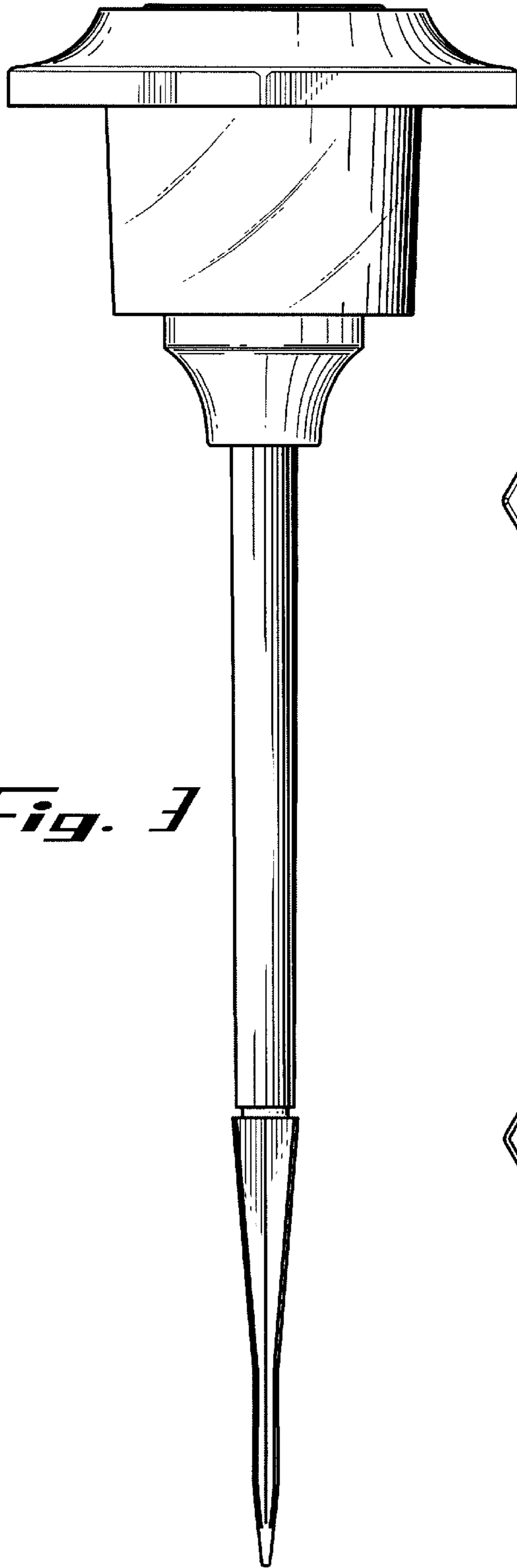


Fig. 3

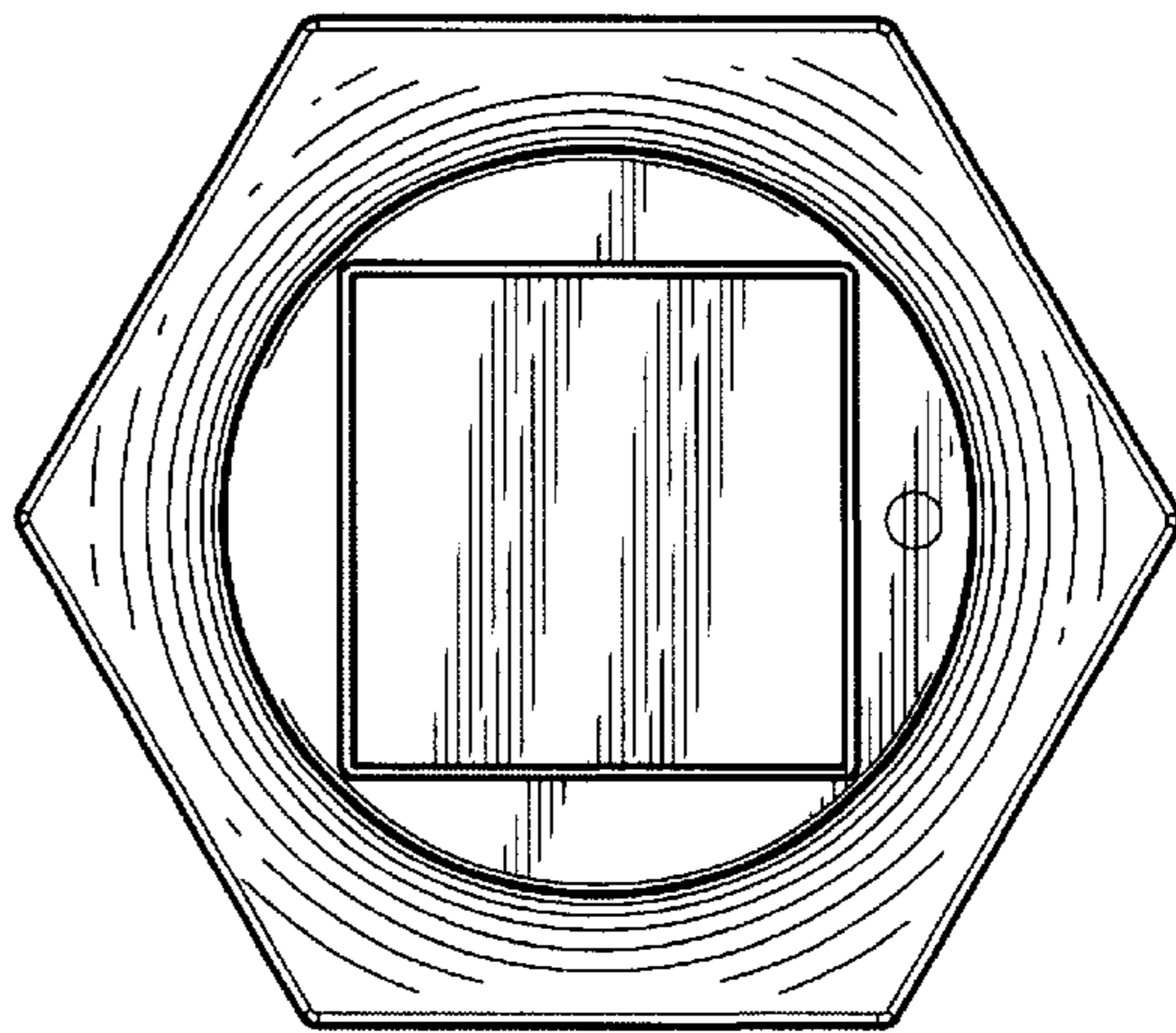


Fig. 4

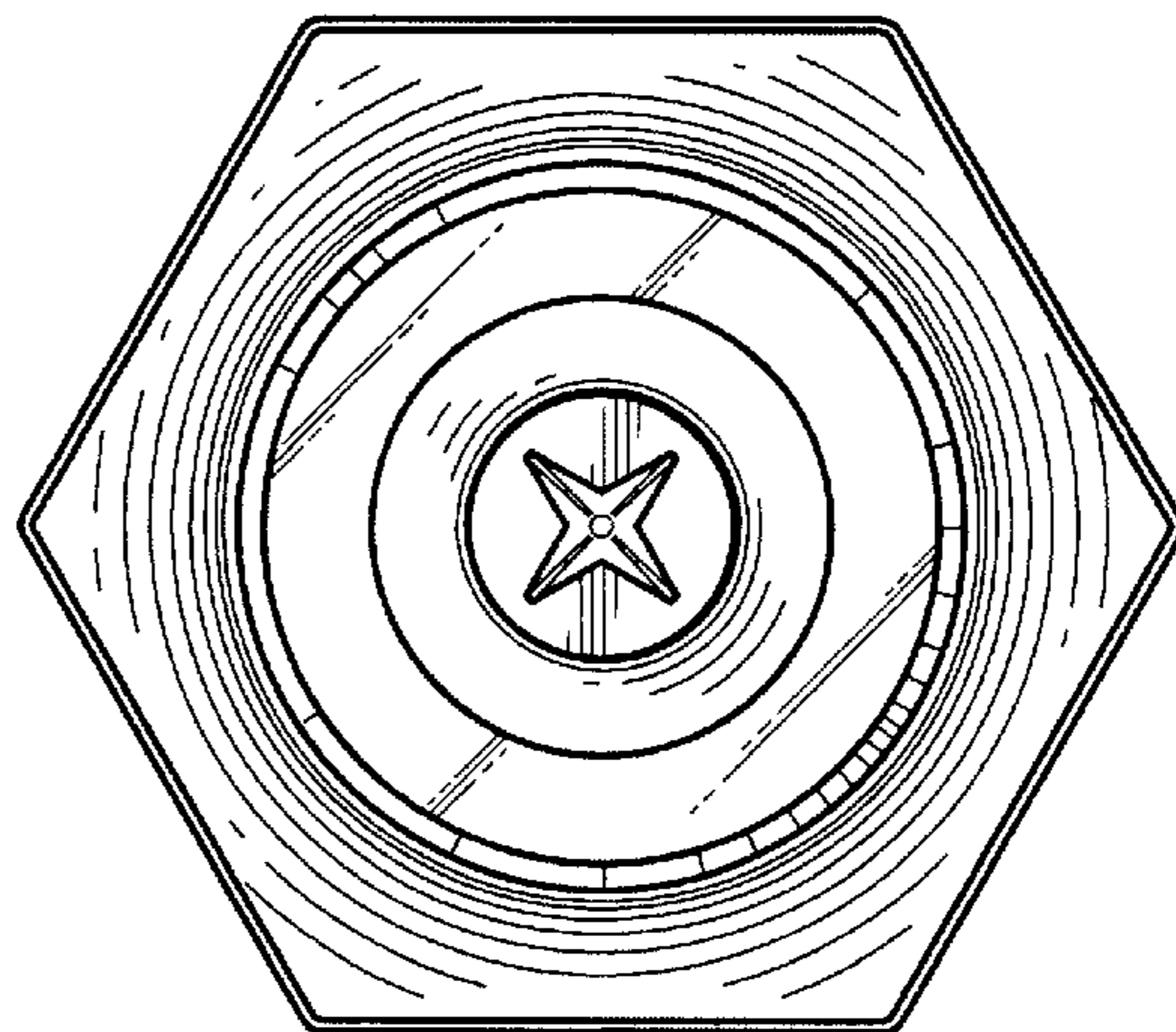


Fig. 5