



US00D518219S

(12) **United States Design Patent**
Bucher et al.

(10) **Patent No.:** **US D518,219 S**
(45) **Date of Patent:** **** Mar. 28, 2006**

(54) **LAMP**

(75) Inventors: **John C. Bucher**, Ft. Lauderdale, FL
(US); **Shou-Pyng Wang**, Taichung
(TW)

(73) Assignee: **King of Fans, Inc.**, Ft. Lauderdale, FL
(US)

(**) **Term:** **14 Years**

(21) Appl. No.: **29/224,278**

(22) Filed: **Feb. 28, 2005**

(51) **LOC (8) Cl.** **26-05**

(52) **U.S. Cl.** **D26/67**

(58) **Field of Classification Search** D26/67-71,
D26/85; 362/153, 153.1, 183-185, 362, 363,
362/431, 805

See application file for complete search history.

(56) **References Cited**

U.S. PATENT DOCUMENTS

D329,100 S * 9/1992 Hall et al. D26/67

D382,662 S * 8/1997 Shalvi D26/68
D492,055 S * 6/2004 Hon et al. D26/67
D497,021 S * 10/2004 Pu D26/67
D497,022 S * 10/2004 Bucher et al. D26/67

* cited by examiner

Primary Examiner—Clare E Heflin

(74) *Attorney, Agent, or Firm*—Akin Gump Strauss Hauer
& Feld, LLP

(57) **CLAIM**

The ornamental design for lamp, as shown and described.

DESCRIPTION

FIG. 1 is a perspective view of lamp showing my new design;

FIG. 2 is a front elevational view thereof;

FIG. 3 is a rear elevational view thereof;

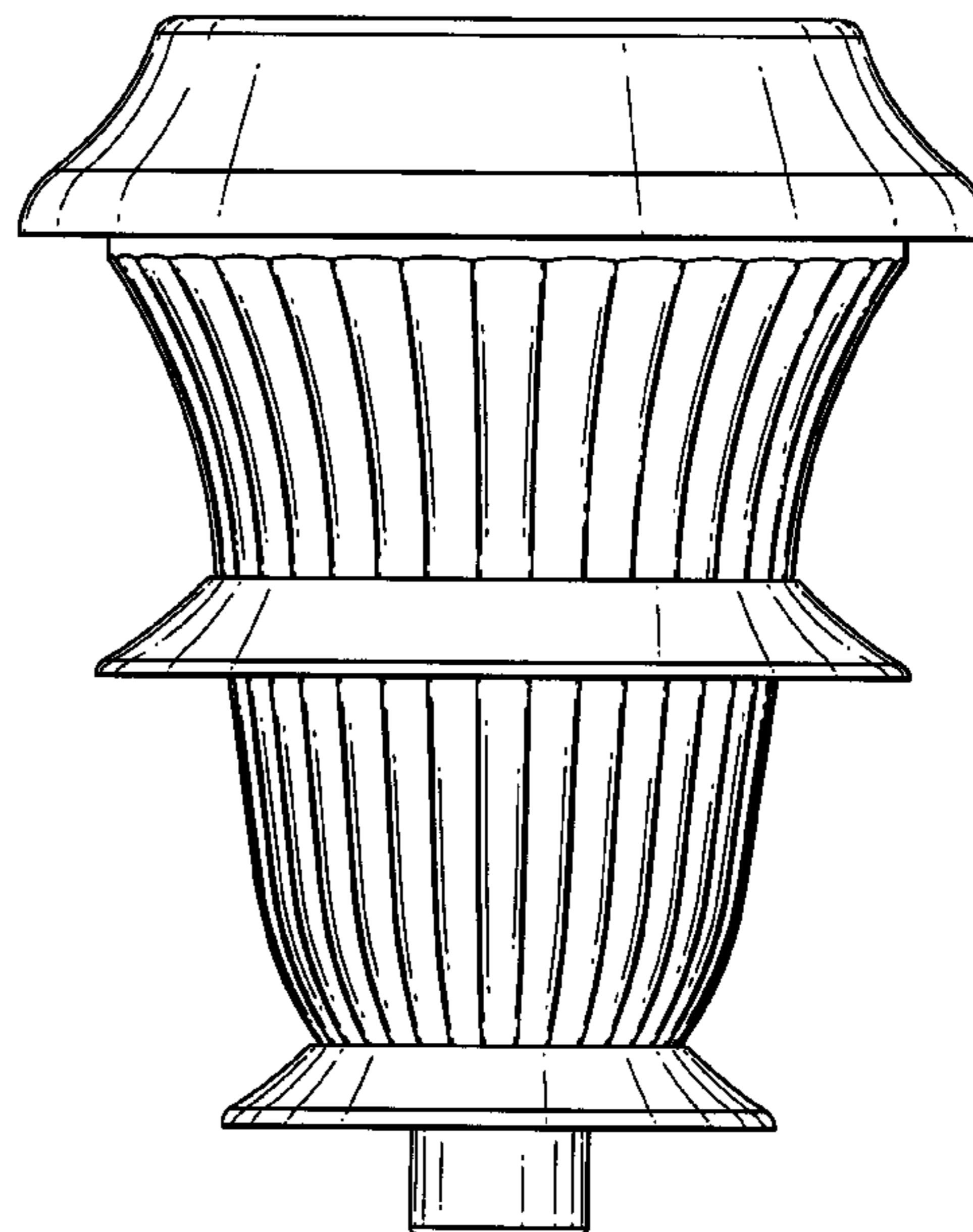
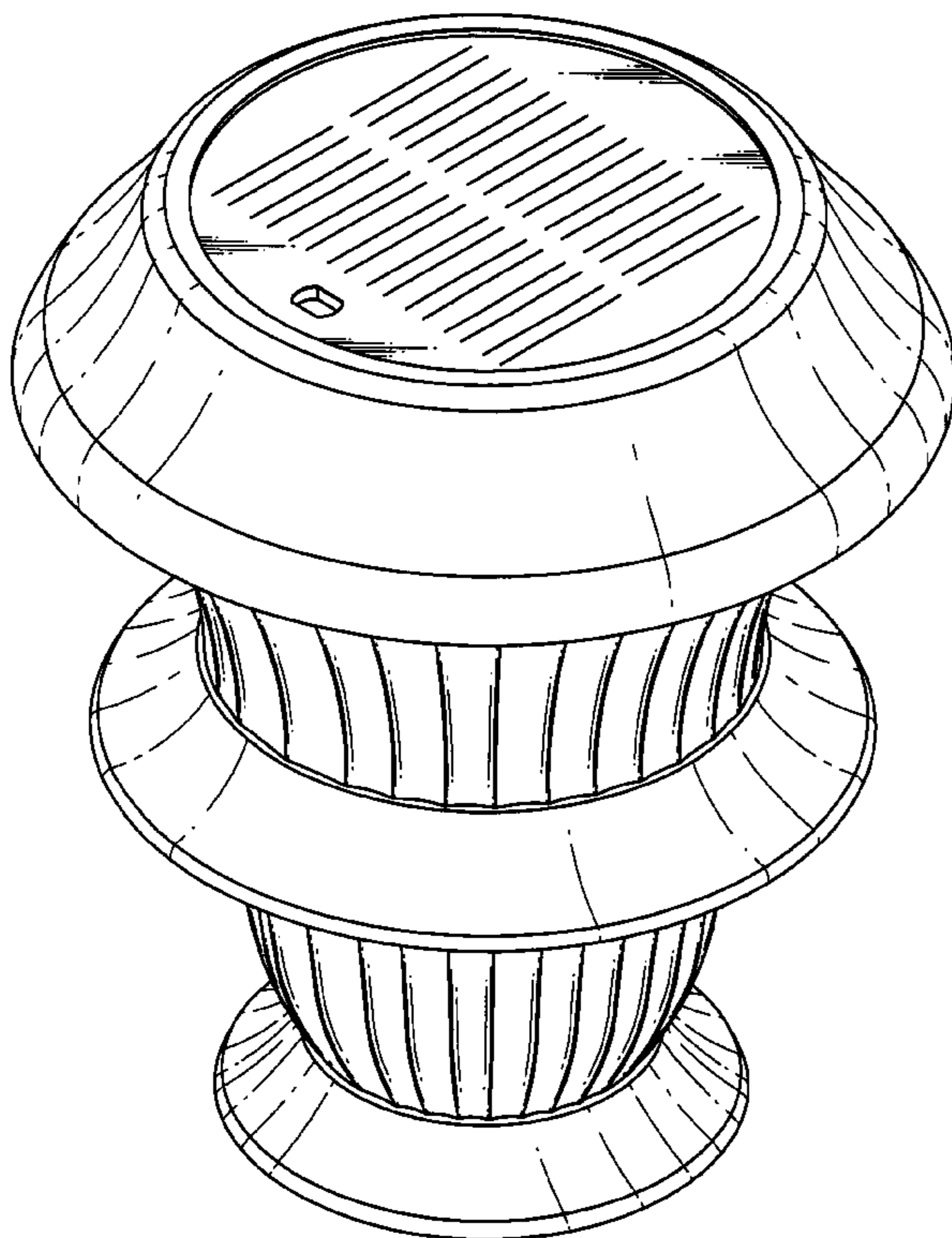
FIG. 4 is a left side elevational view thereof;

FIG. 5 is a right side elevational view thereof;

FIG. 6 is a top plan view thereof; and,

FIG. 7 is a bottom plan view thereof.

1 Claim, 4 Drawing Sheets



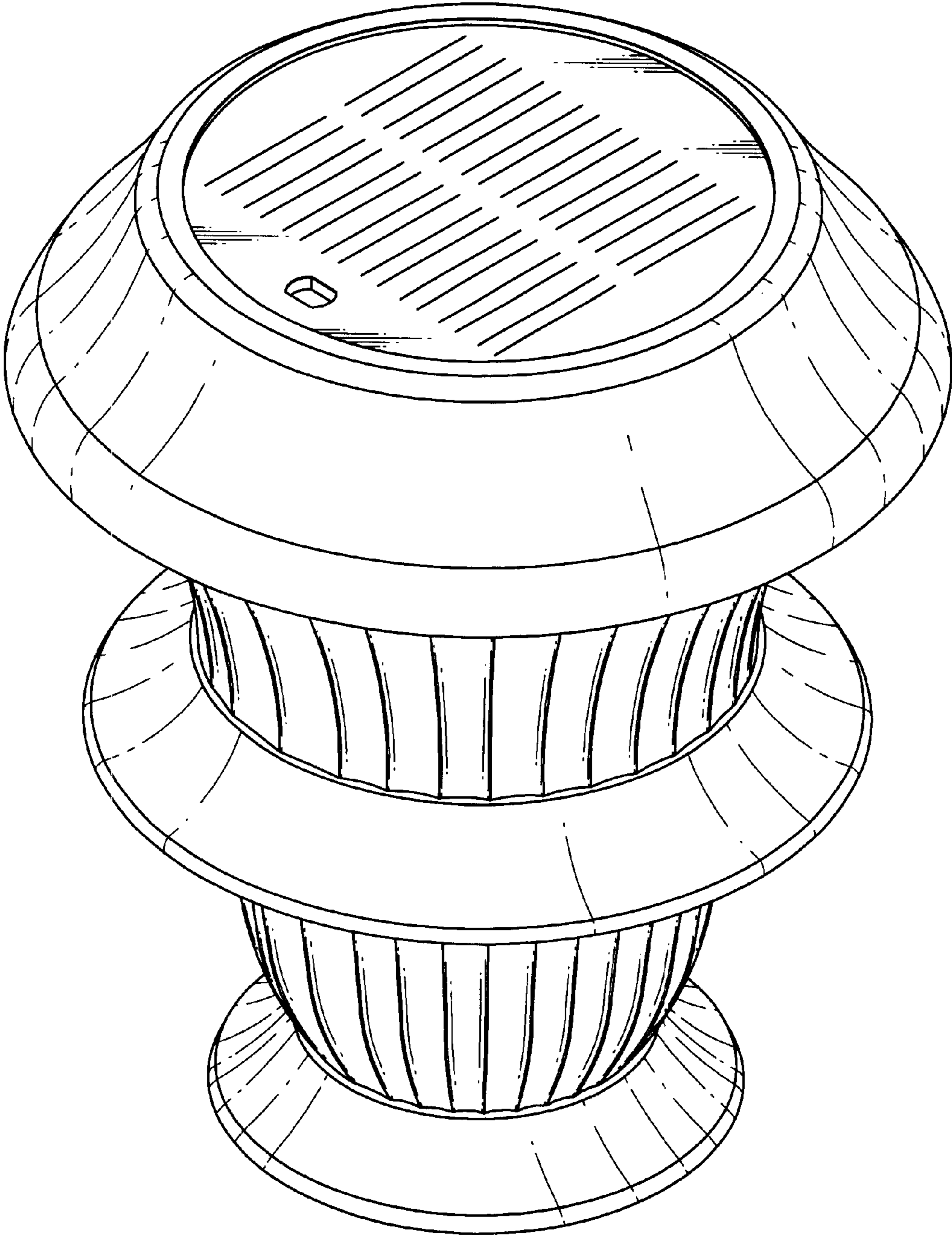


FIG. 1

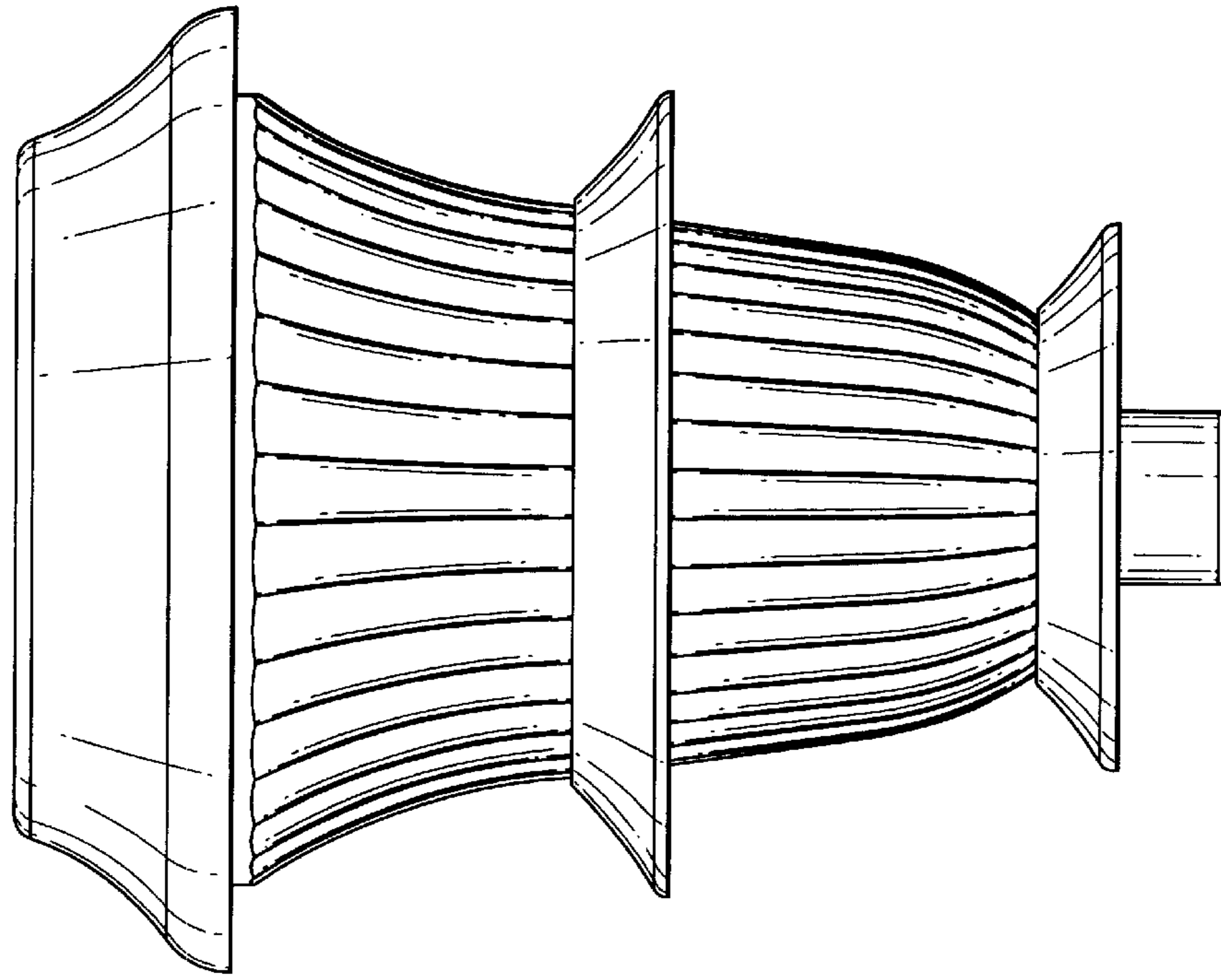


FIG. 3

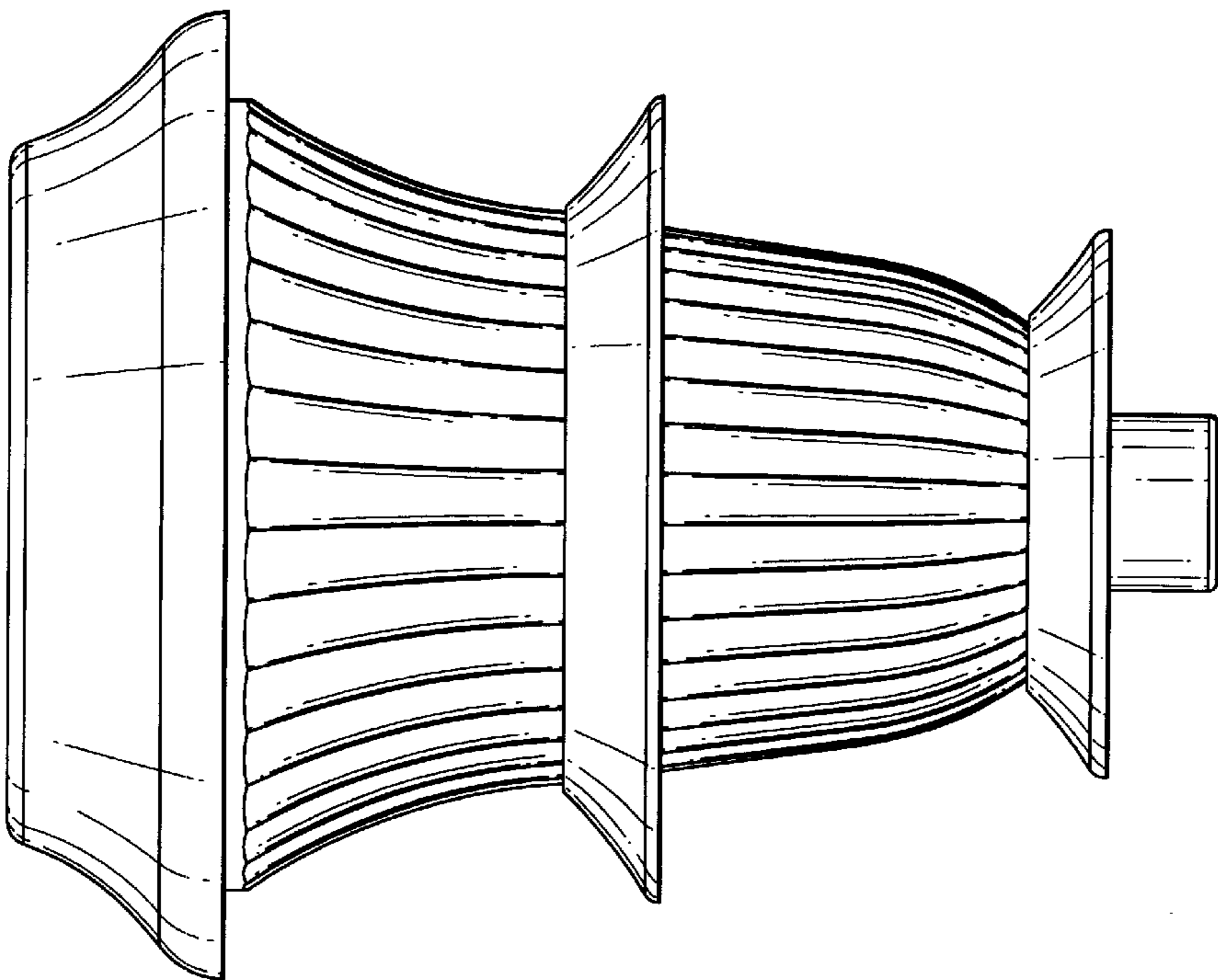


FIG. 2

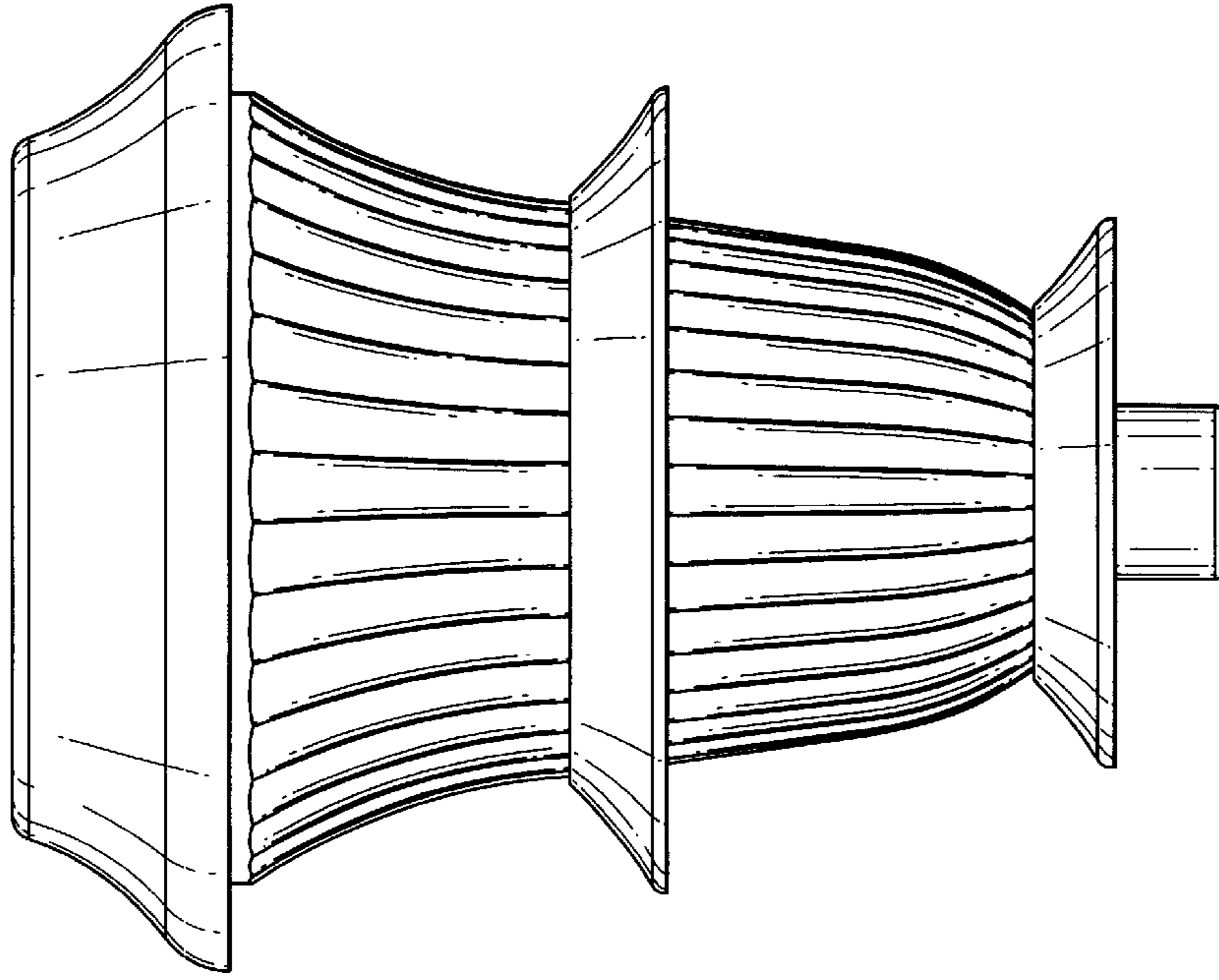


FIG. 5

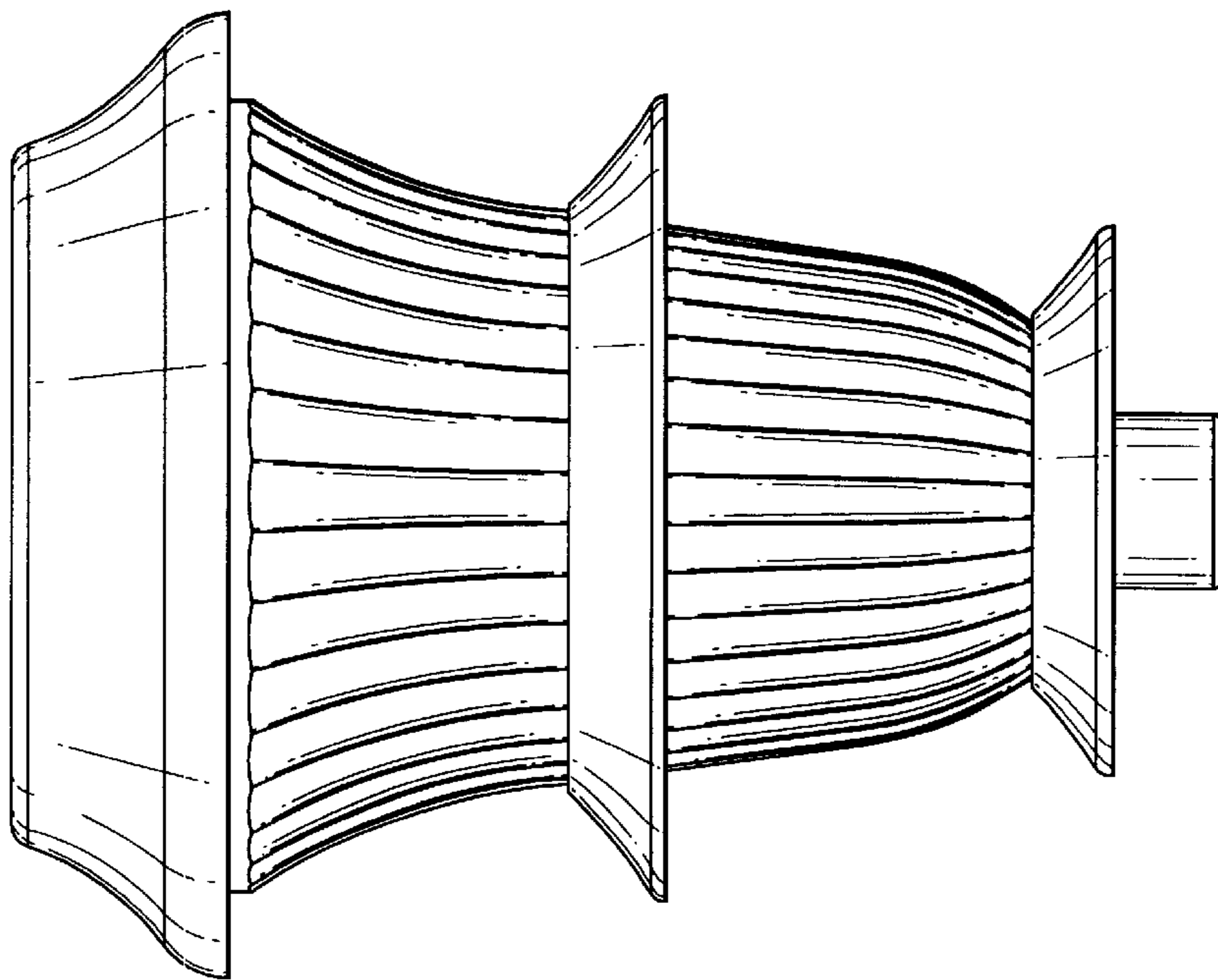


FIG. 4

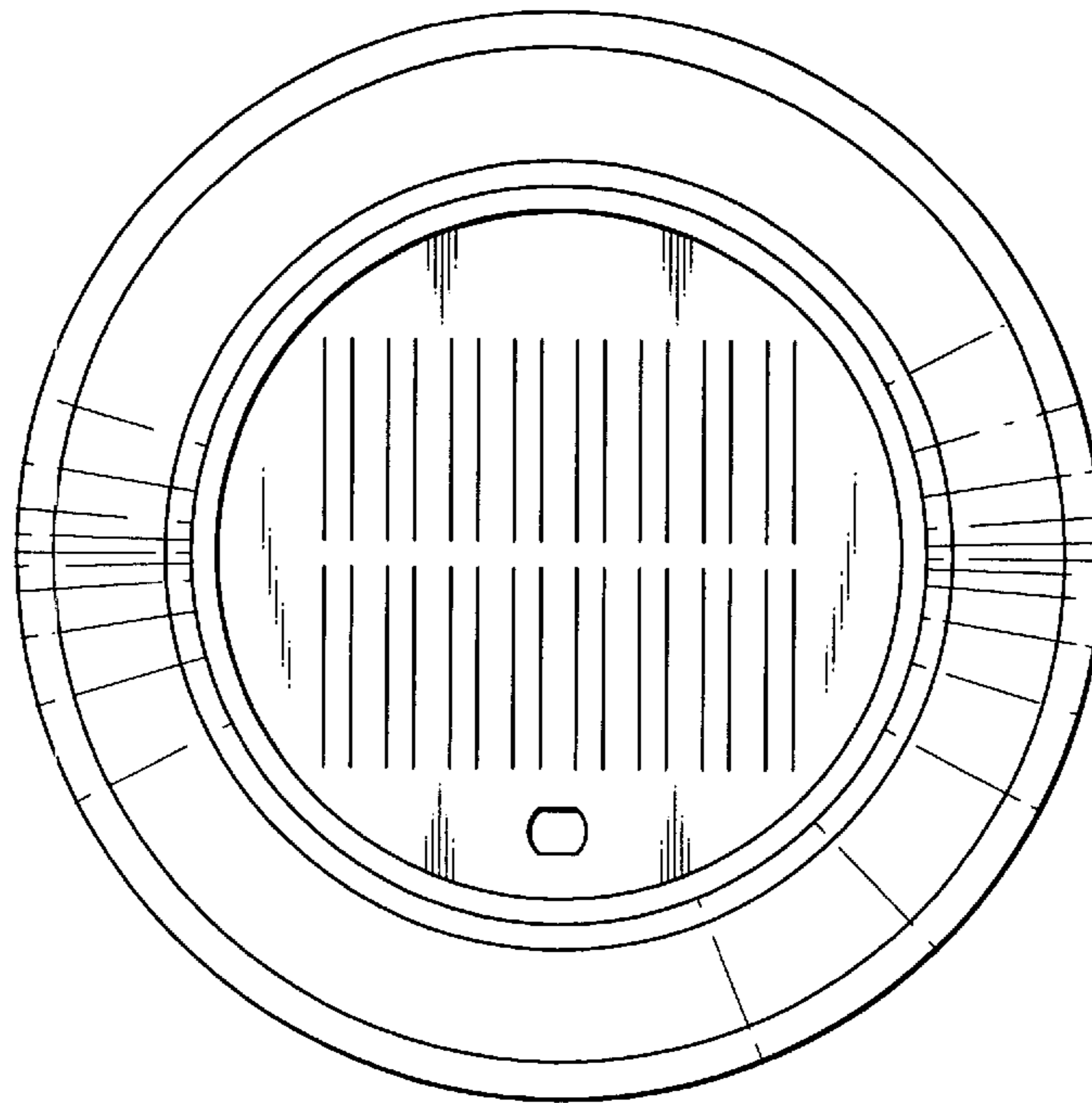


FIG. 6

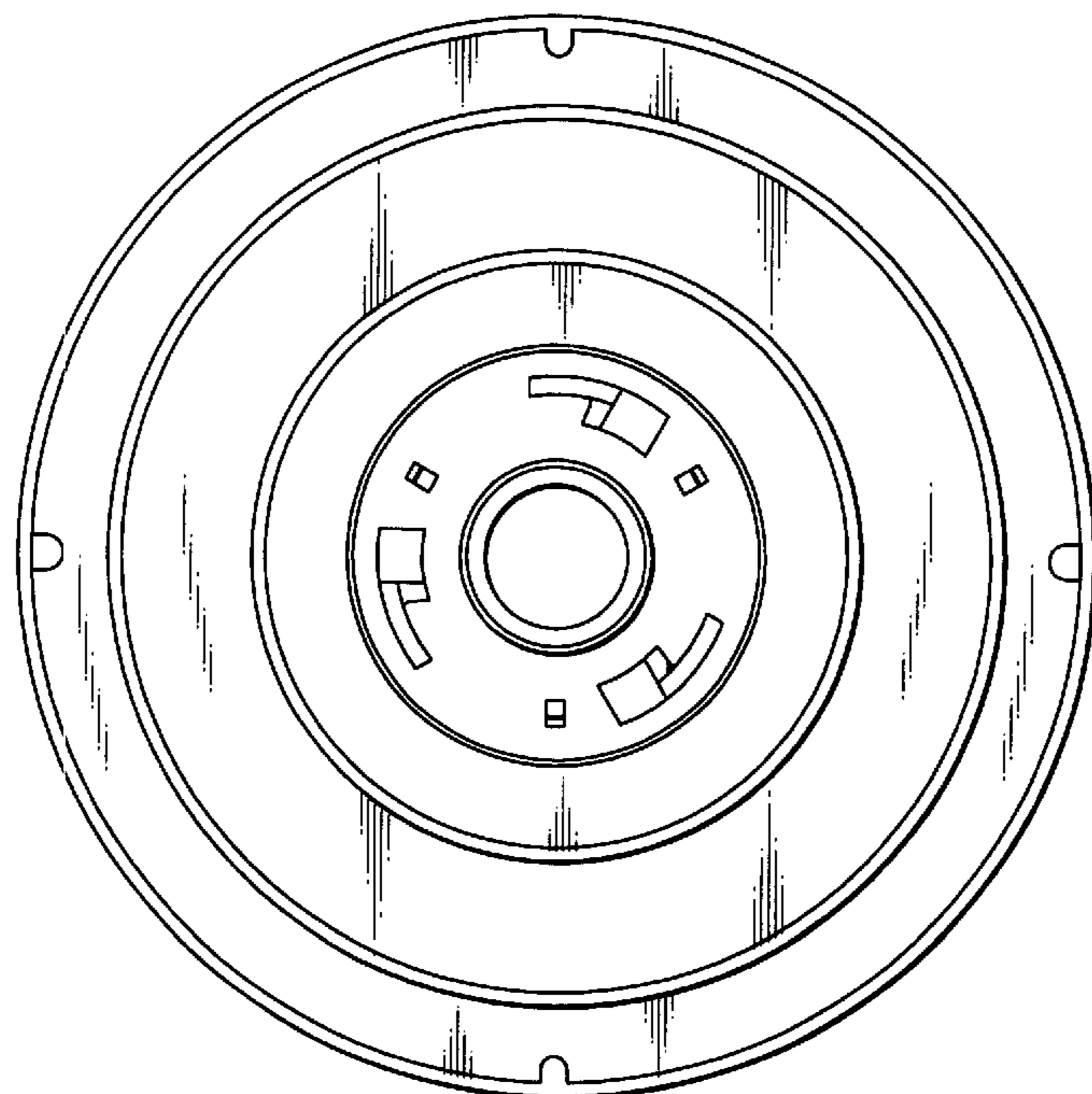


FIG. 7