



US00D518218S

(12) **United States Design Patent**  
**Roberge et al.**

(10) **Patent No.:** **US D518,218 S**

(45) **Date of Patent:** **\*\* Mar. 28, 2006**

(54) **LIGHTING ASSEMBLY**

(75) Inventors: **Brian Roberge**, Franklin, MA (US);  
**Colin Piegras**, Swampscott, MA (US);  
**Steve T. Kondo**, Salem, MA (US);  
**Peter Swai**, Quincy, MA (US)

(73) Assignee: **Color Kinetics Incorporated**, Boston,  
MA (US)

(\*\*) Term: **14 Years**

(21) Appl. No.: **29/208,518**

(22) Filed: **Jun. 29, 2004**

**Related U.S. Application Data**

(63) Continuation of application No. 10/839,765, filed on May 5,  
2004.

(51) **LOC (8) Cl.** ..... **26-05**

(52) **U.S. Cl.** ..... **D26/63**

(58) **Field of Classification Search** ..... D26/24,  
D26/61, 63-65, 104; 362/269, 277, 282,  
362/285, 287, 418, 419, 427

See application file for complete search history.

(56) **References Cited**

**U.S. PATENT DOCUMENTS**

1,882,185 A \* 10/1932 Graham ..... 362/427

2,057,278 A \* 10/1936 Richardson ..... 362/277  
2,200,114 A \* 5/1940 Konikoff ..... 362/144  
D257,890 S \* 1/1981 Aron ..... D26/63  
4,259,710 A \* 3/1981 Schlack ..... 362/267  
5,025,359 A \* 6/1991 Saluja et al. .... 362/402  
D328,148 S \* 7/1992 Waldmann ..... D26/63  
D408,937 S \* 4/1999 Waldmann ..... D26/63  
D437,441 S \* 2/2001 Shoemaker et al. .... D26/63  
6,183,116 B1 \* 2/2001 Harter et al. .... 362/368  
D482,152 S \* 11/2003 Hussaini et al. .... D26/63

\* cited by examiner

*Primary Examiner*—Clare E Heflin

(74) *Attorney, Agent, or Firm*—Foley & Hoag LLP

(57) **CLAIM**

The ornamental design for a lighting assembly, as shown and  
described.

**DESCRIPTION**

FIG. 1 is a front view of a lighting assembly design;

FIG. 2 is a side view thereof;

FIG. 3 is a rear view thereof;

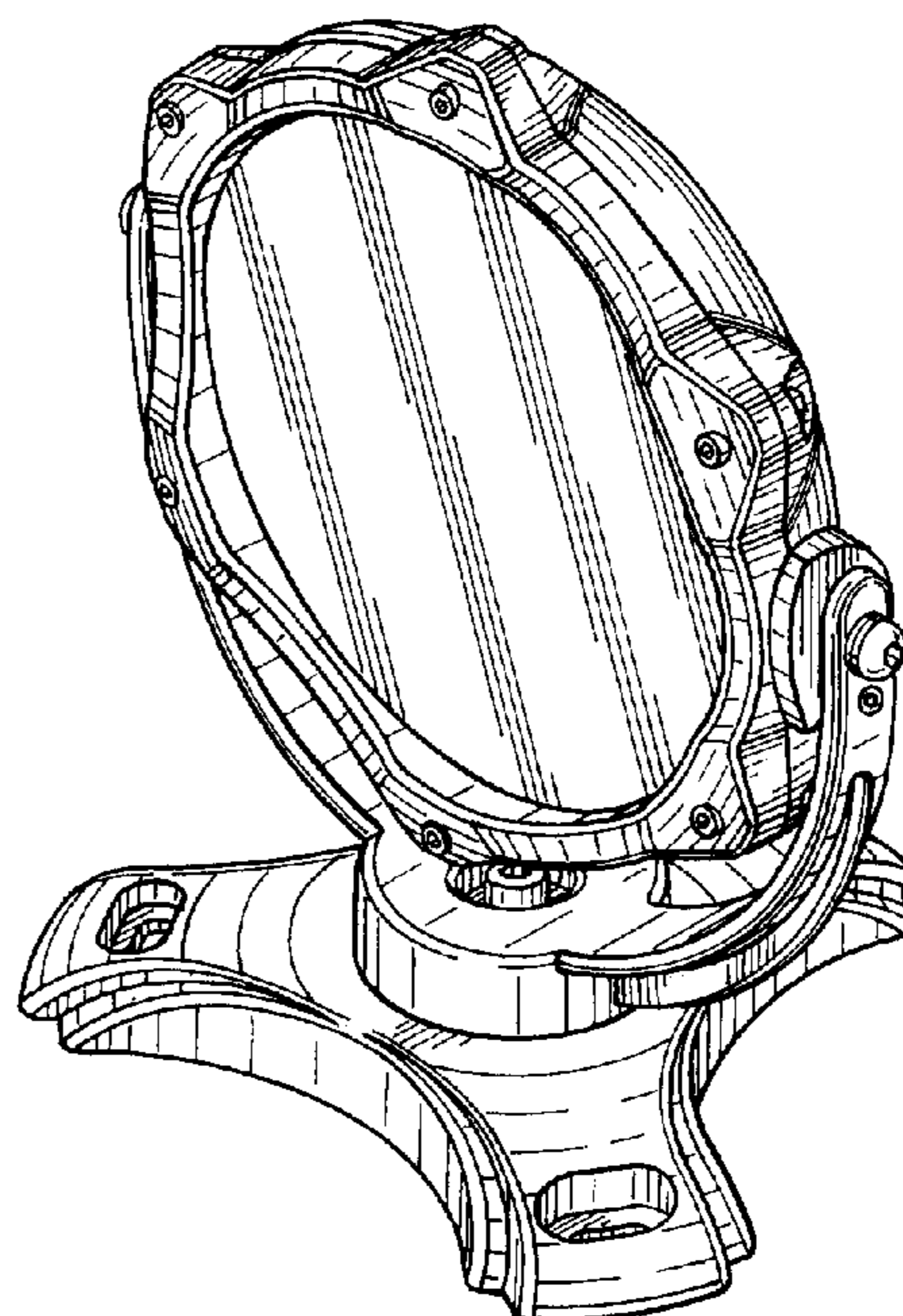
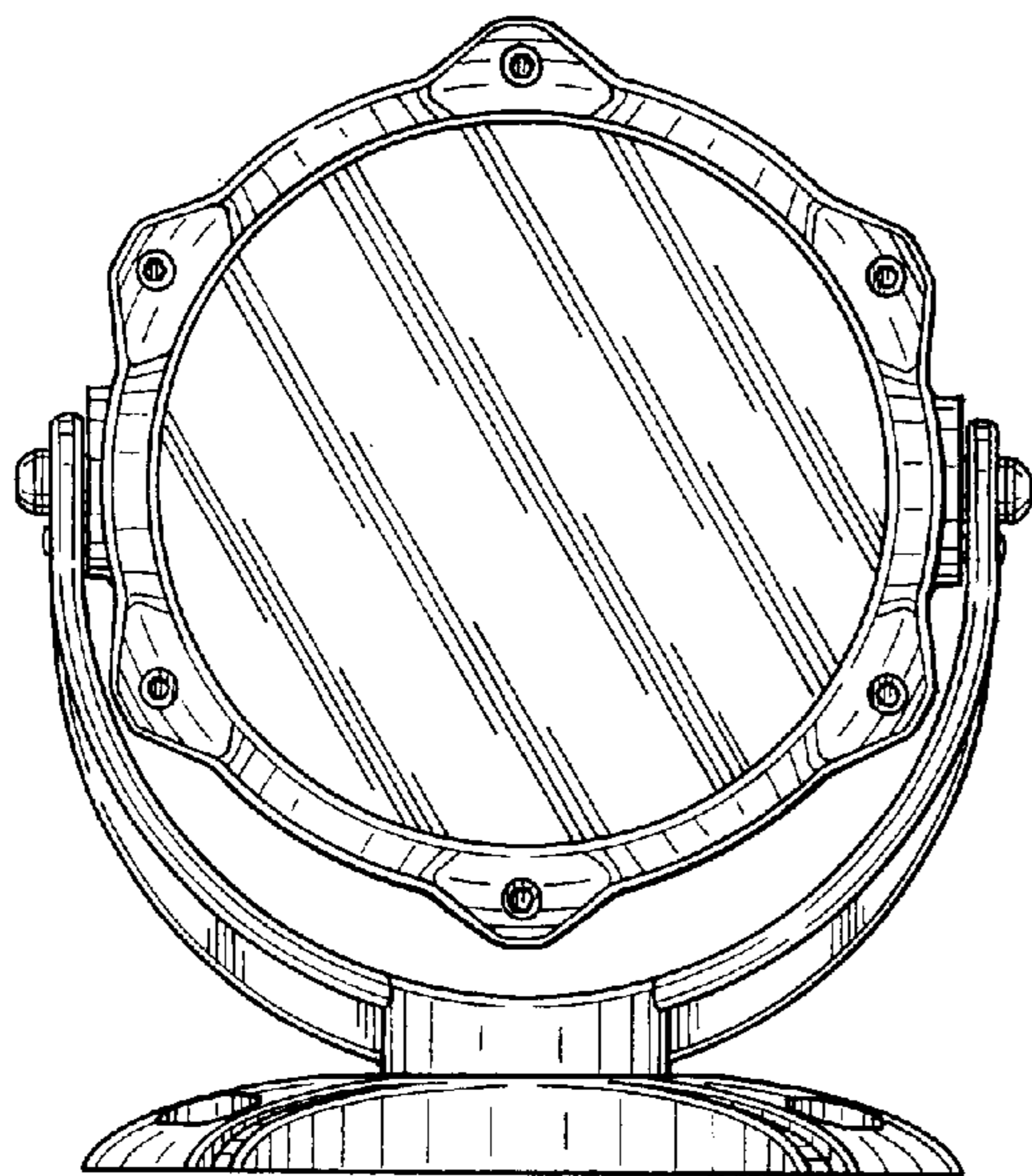
FIG. 4 is a top view thereof; and,

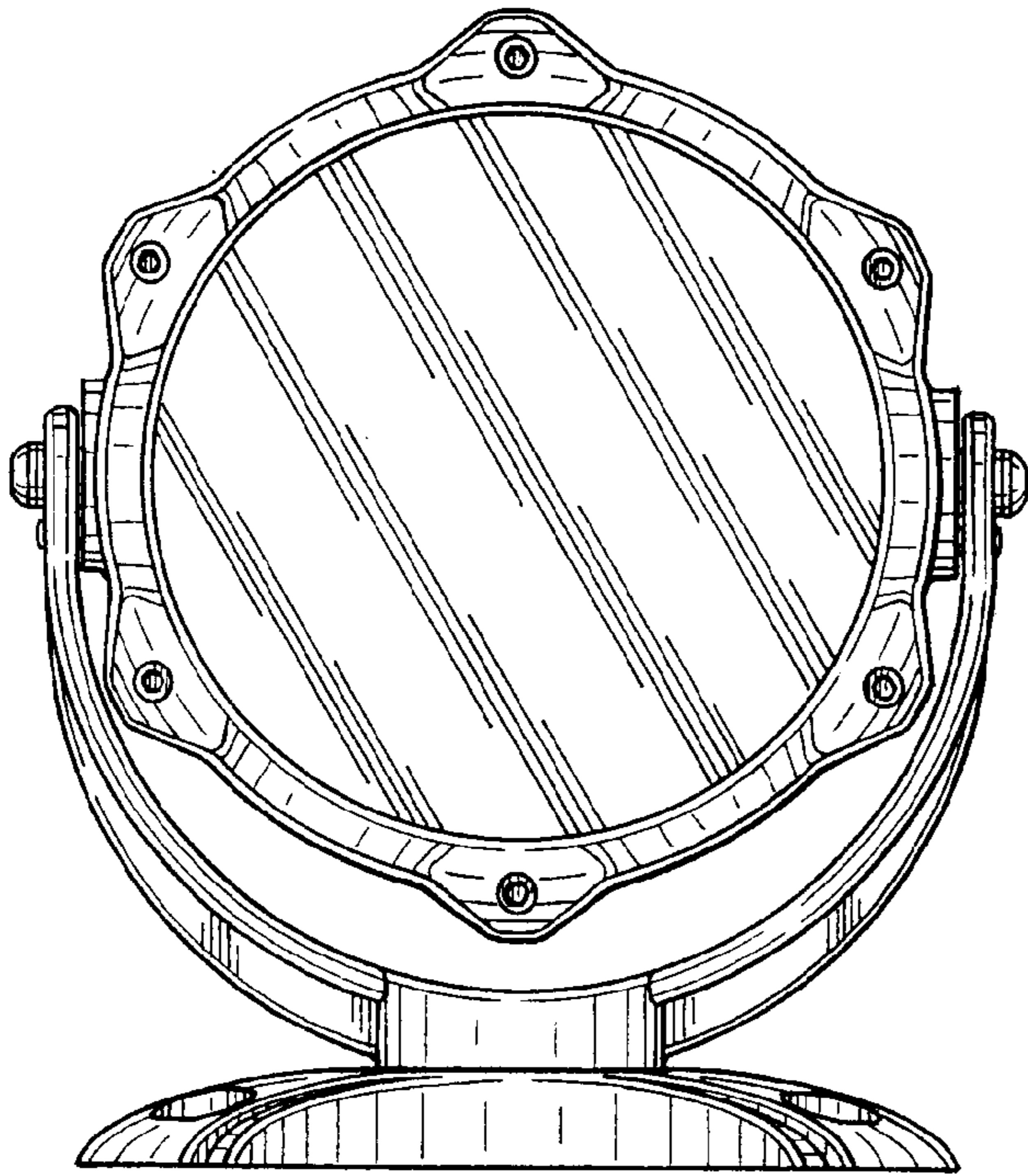
FIG. 5 is a perspective view thereof.

The bottom surface of the lighting assembly is plain and  
non-ornamental.

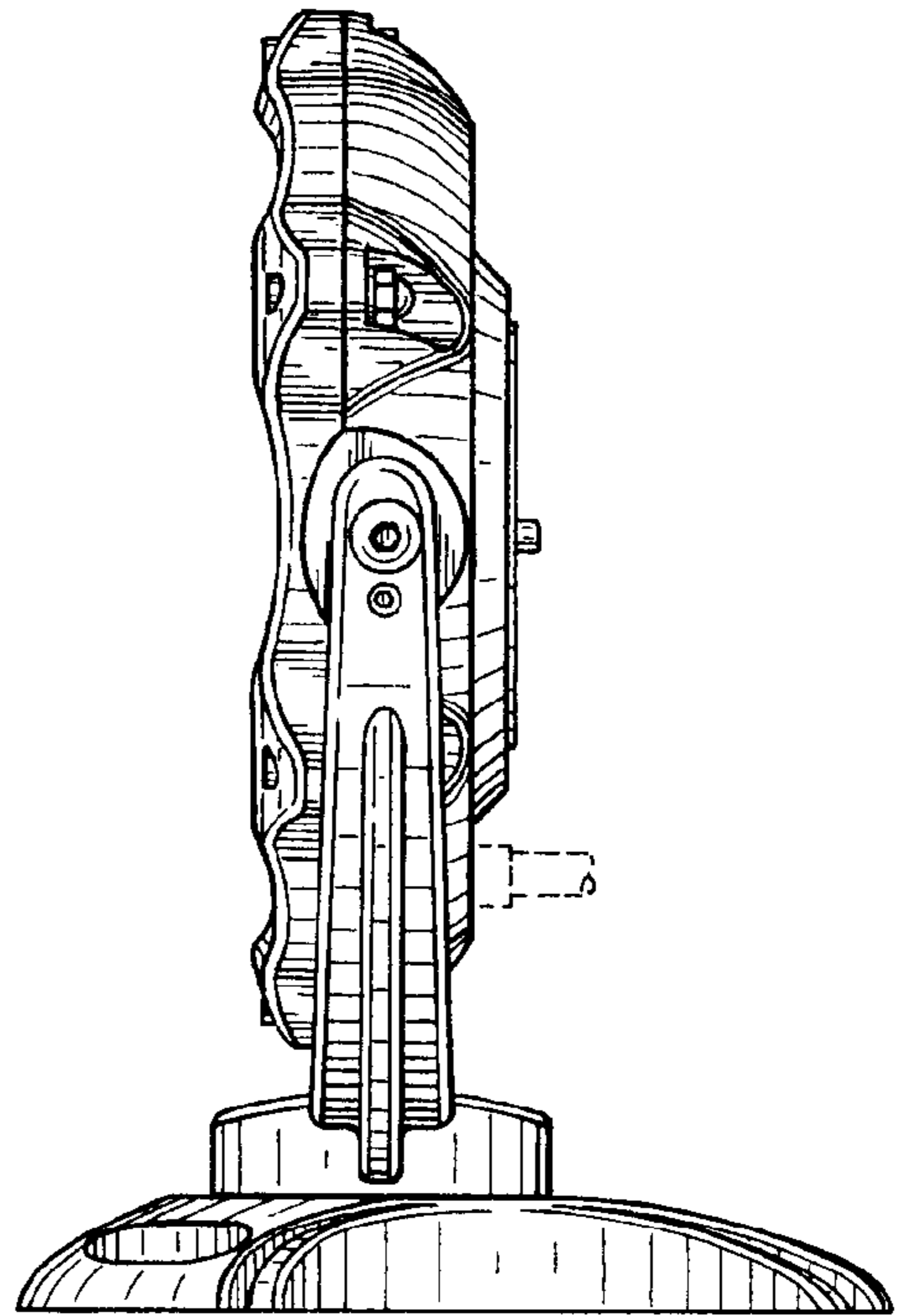
The broken lines shown on the drawings are for illustrative  
purposes only and form no part of the claimed design.

**1 Claim, 2 Drawing Sheets**

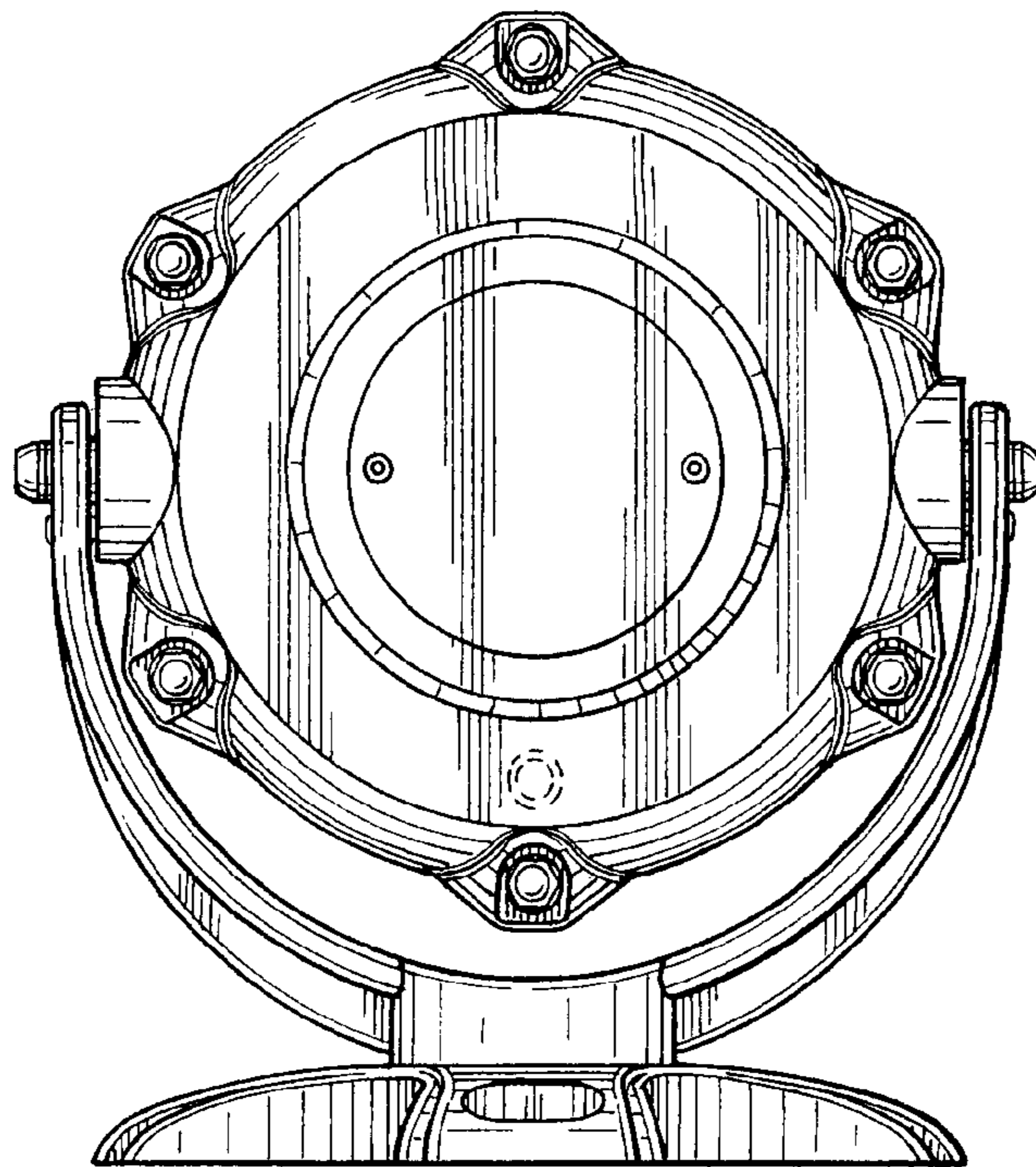




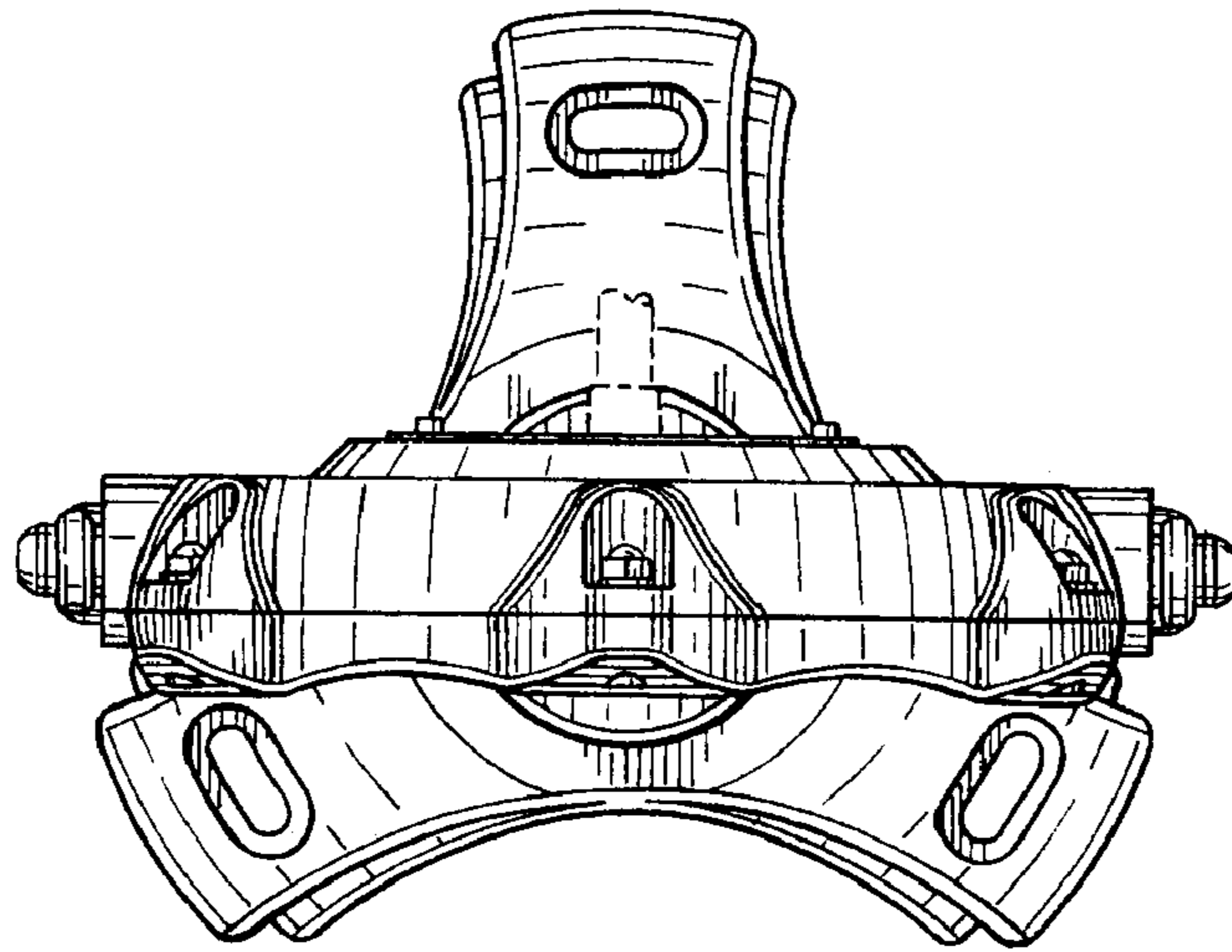
*Fig. 1*



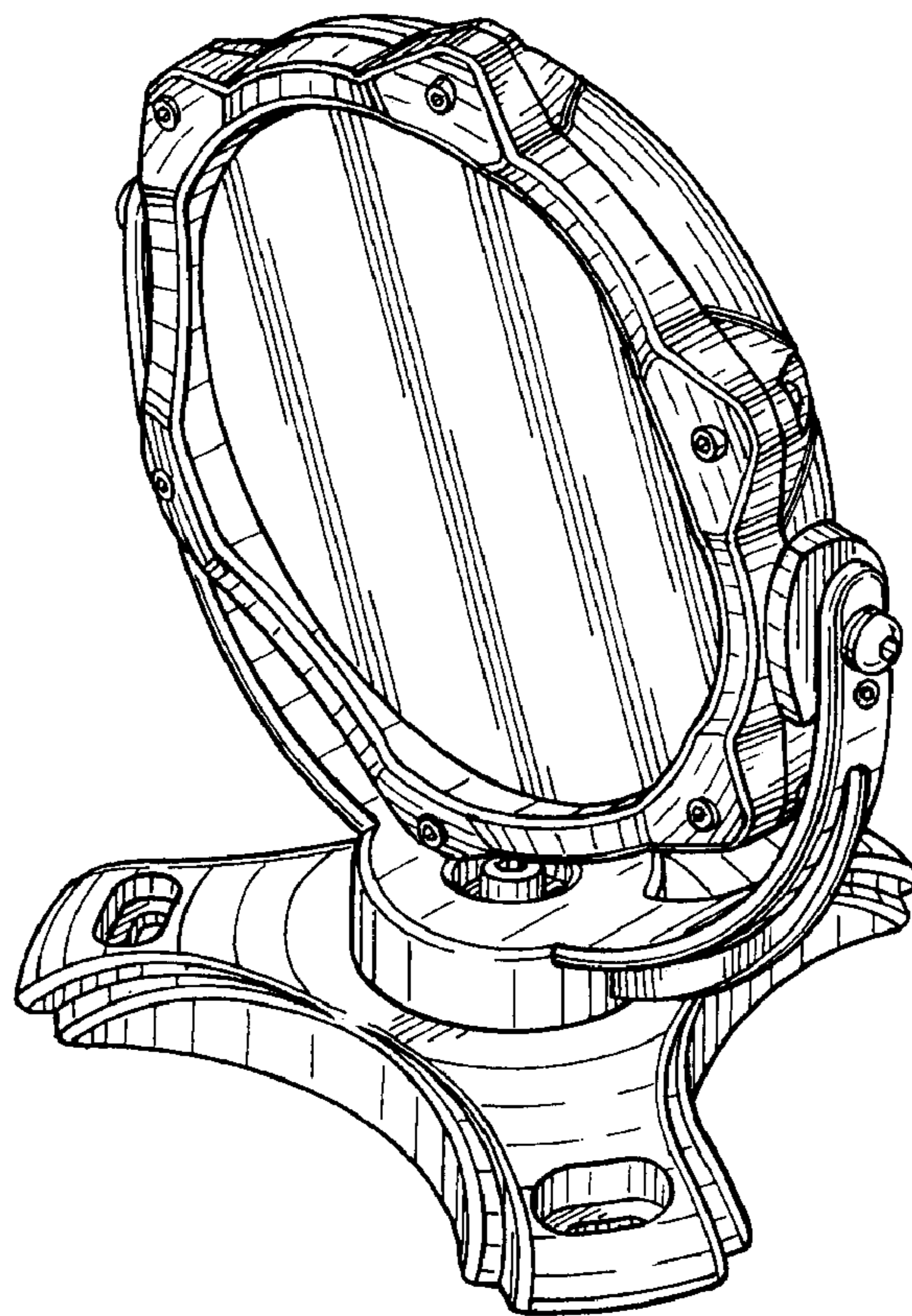
*Fig. 2*



*Fig. 3*



*Fig. 4*



*Fig. 5*

UNITED STATES PATENT AND TRADEMARK OFFICE  
**CERTIFICATE OF CORRECTION**

PATENT NO. : Des. 518,218 S  
APPLICATION NO. : 29/208518  
DATED : March 28, 2006  
INVENTOR(S) : Brian Roberge et al.

Page 1 of 1

It is certified that error appears in the above-identified patent and that said Letters Patent is hereby corrected as shown below:

**References Cited**, On the Title page;

OTHER PUBLICATIONS

Color Kinetics v. Super Vision International, Inc. "Super Vision International, Inc.'s Notice of Filing Declaration of Peter Micha," United States District Court, District of Massachusetts, Case No. 02 CV 11137 MEL.

Signed and Sealed this

First Day of August, 2006

A handwritten signature in black ink on a light gray dotted background. The signature reads "Jon W. Dudas" in a cursive style.

JON W. DUDAS

*Director of the United States Patent and Trademark Office*