

US00D518215S

(12) **United States Design Patent**
Krieger et al.

(10) **Patent No.:** **US D518,215 S**
(45) **Date of Patent:** **** Mar. 28, 2006**

(54) **SPOTLIGHT**

(75) Inventors: **Michael Krieger**, Miami Beach, FL (US); **Kevin Ellsworth**, Hollywood, FL (US)

(73) Assignee: **Vector Products, Inc.**, Ft. Lauderdale, FL (US)

(**) Term: **14 Years**

(21) Appl. No.: **29/222,176**

(22) Filed: **Jan. 27, 2005**

(51) **LOC (8) Cl.** **26-02**

(52) **U.S. Cl.** **D26/45**

(58) **Field of Classification Search** D26/37-50;
362/157, 158, 171-174, 183-208
See application file for complete search history.

(56) **References Cited**

U.S. PATENT DOCUMENTS

D504,969 S * 5/2005 Hussaini et al. D26/45
D508,578 S * 8/2005 Shen D26/45

OTHER PUBLICATIONS

U.S. Appl. No. 29/227,652, filed Apr. 14, 2005.

U.S. Appl. No. 29/227,651, filed Apr. 14, 2005.

U.S. Appl. No. 29/228,573, filed Apr. 26, 2005.

U.S. Appl. No. 29/222,173, filed Jan. 27, 2005.

U.S. Appl. No. 29/225,056, filed Mar. 11, 2005.

* cited by examiner

Primary Examiner—Marcus A. Jackson

(74) *Attorney, Agent, or Firm*—Venable LLP; Robert Kinberg; Manni Li

(57) **CLAIM**

The ornamental design for a spotlight, as shown and described.

DESCRIPTION

FIG. 1 is a perspective view from the front-top-left side of the spotlight showing our new design;

FIG. 2 is a front view of the design shown in FIG. 1;

FIG. 3 is a rear view of the design shown in FIG. 1;

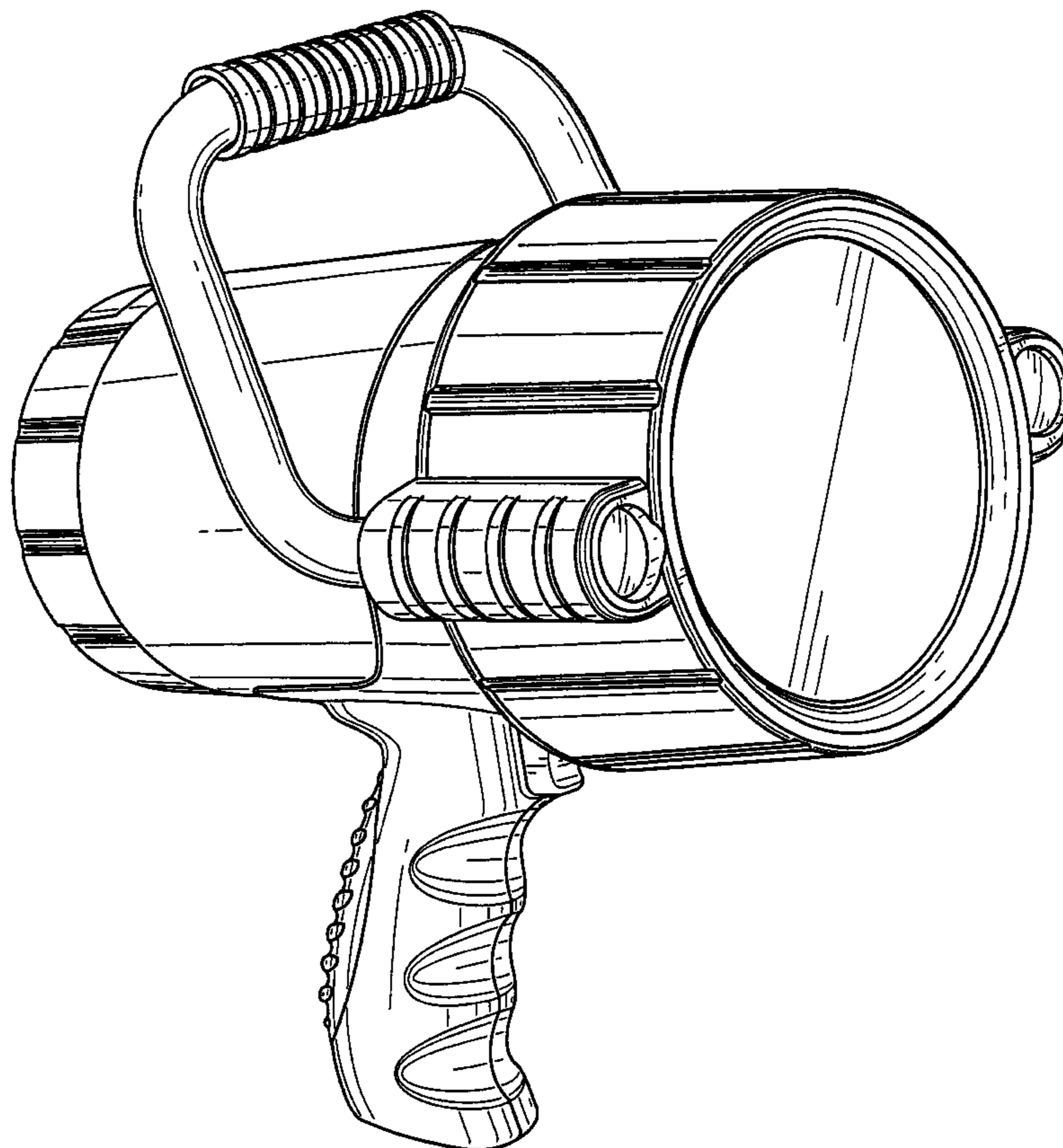
FIG. 4 is a left side view of the design shown in FIG. 1;

FIG. 5 is a right side view of the design shown in FIG. 1;

FIG. 6 is a top view of the design shown in FIG. 1; and,

FIG. 7 is a bottom view of the design shown in FIG. 1.

1 Claim, 7 Drawing Sheets



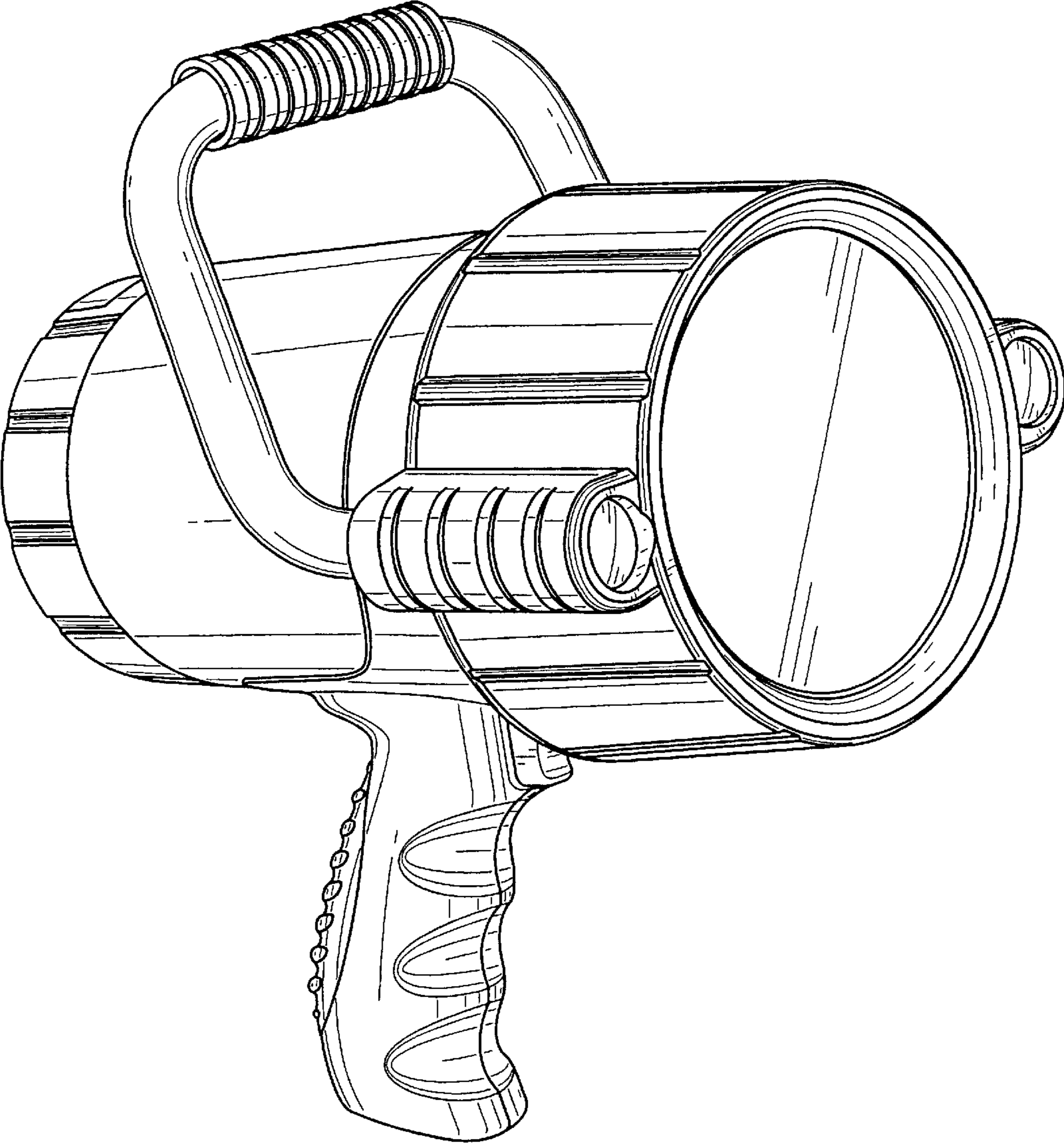


FIG. 1

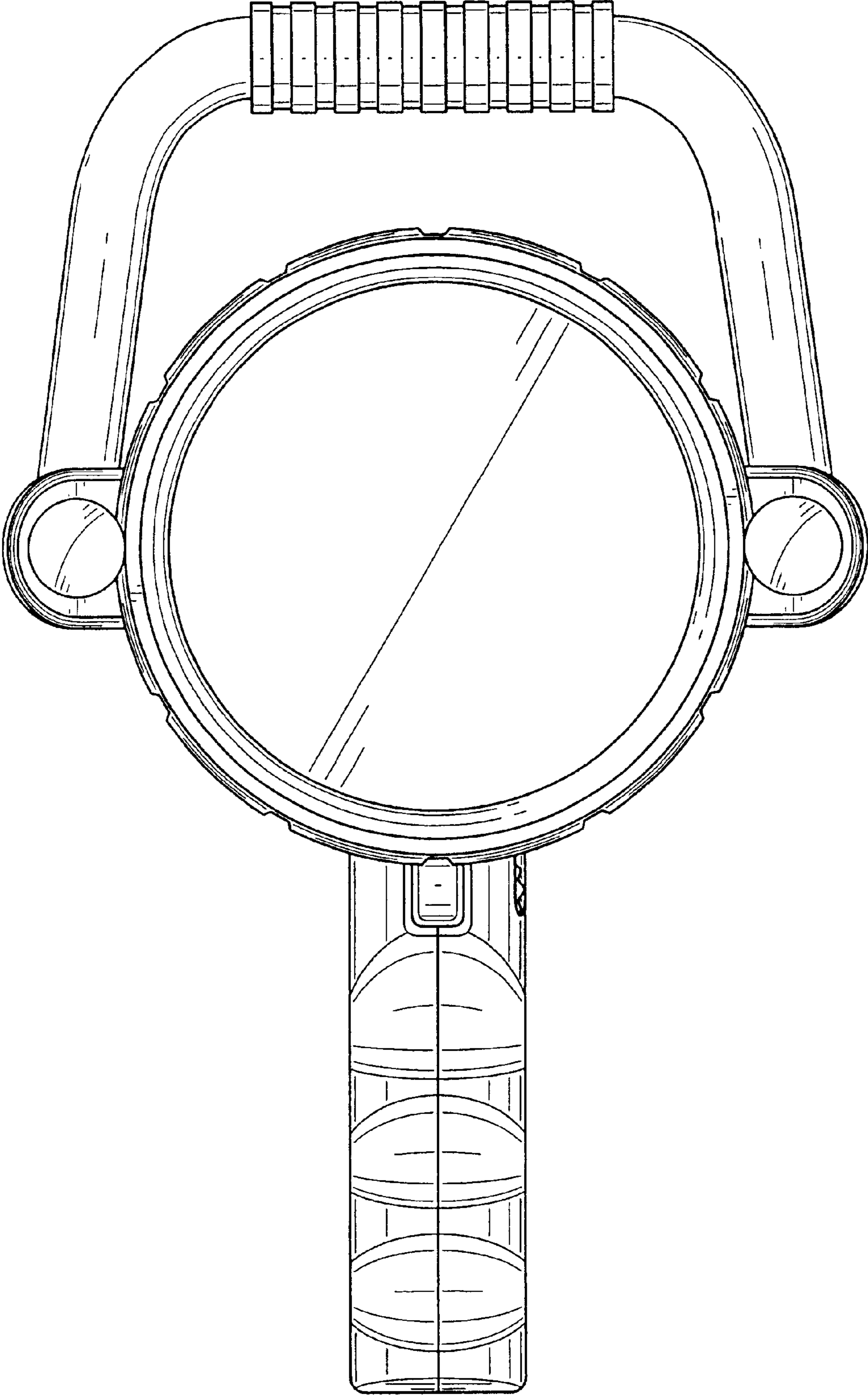


FIG. 2

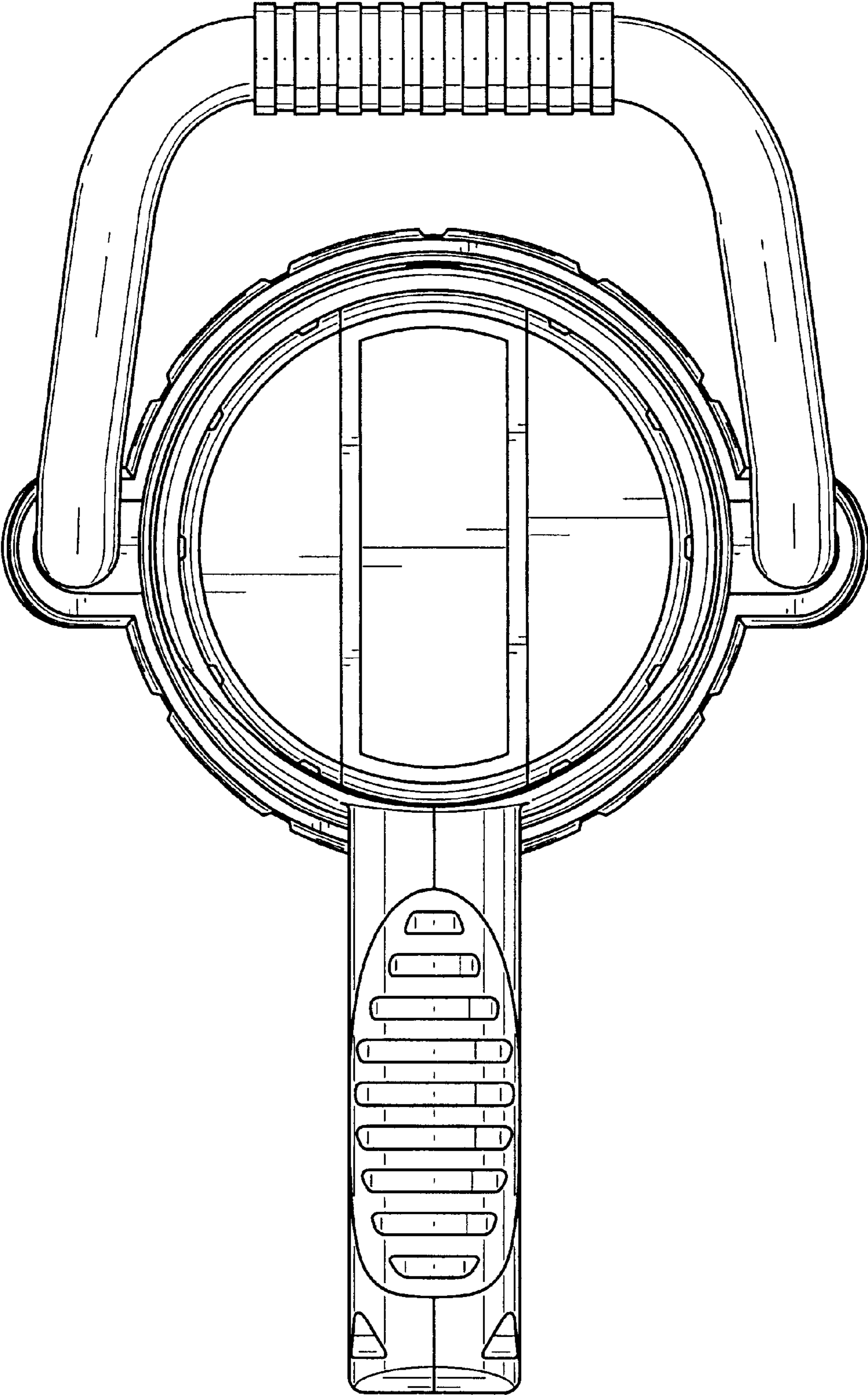


FIG. 3

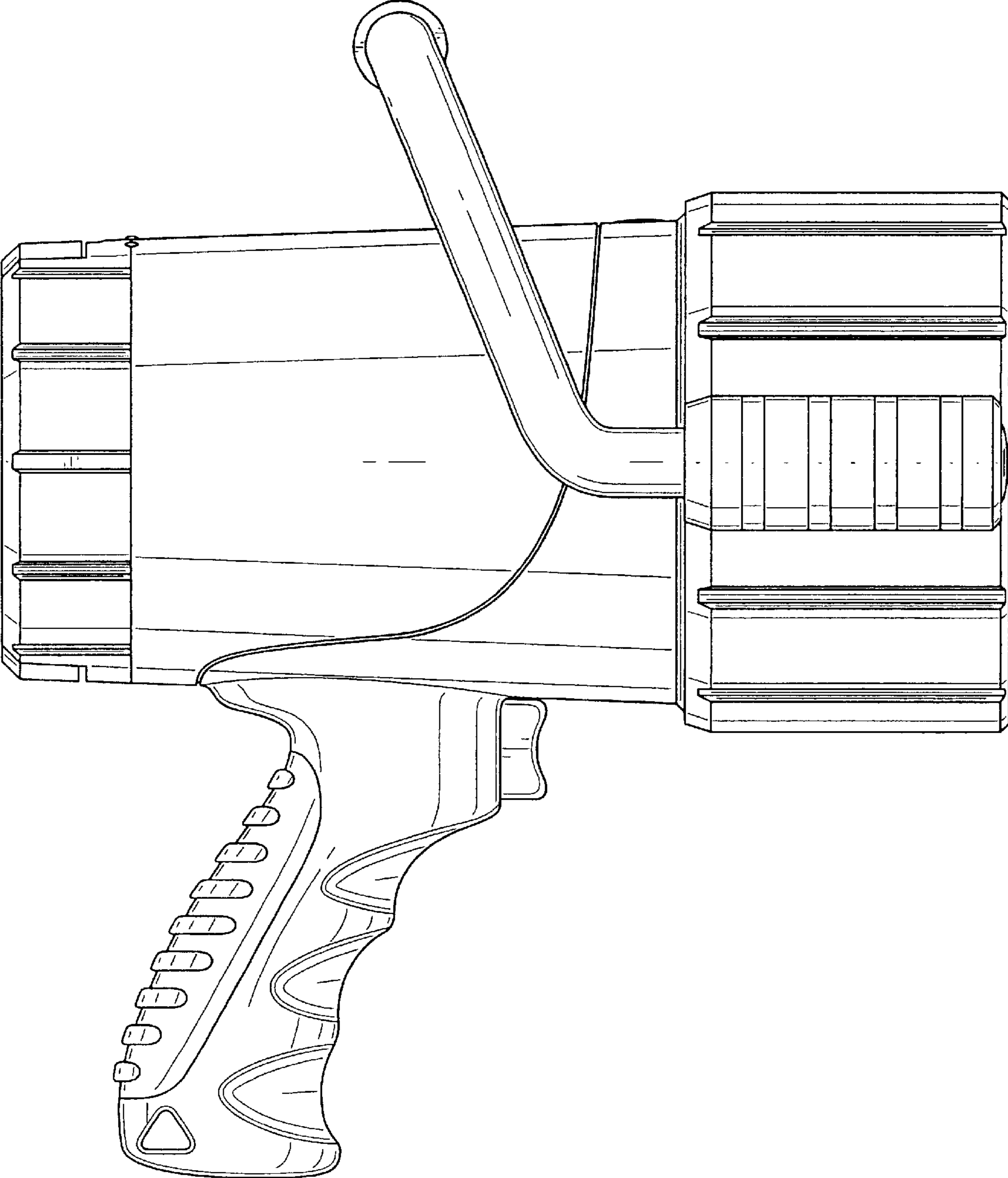


FIG. 4

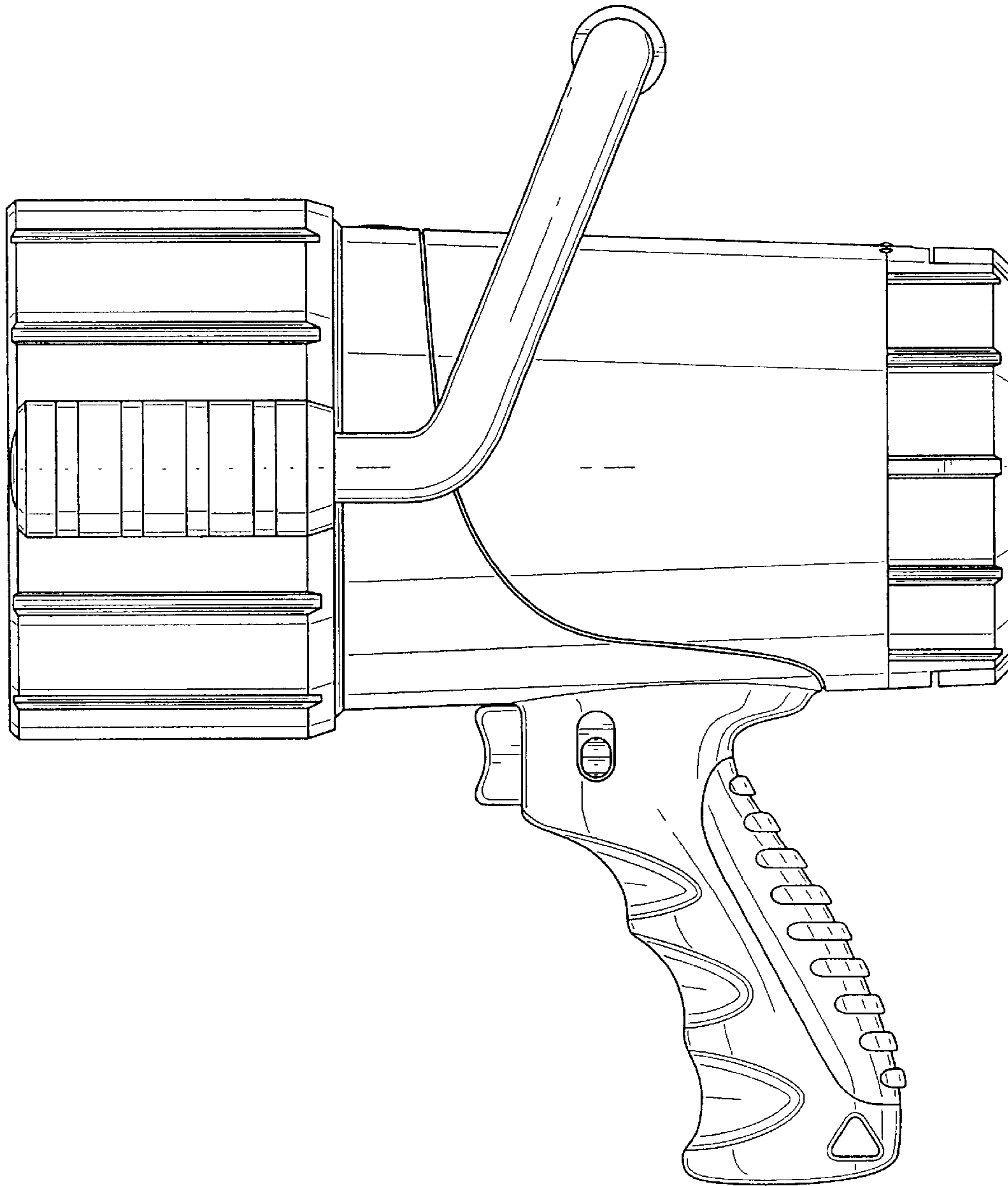


FIG. 5

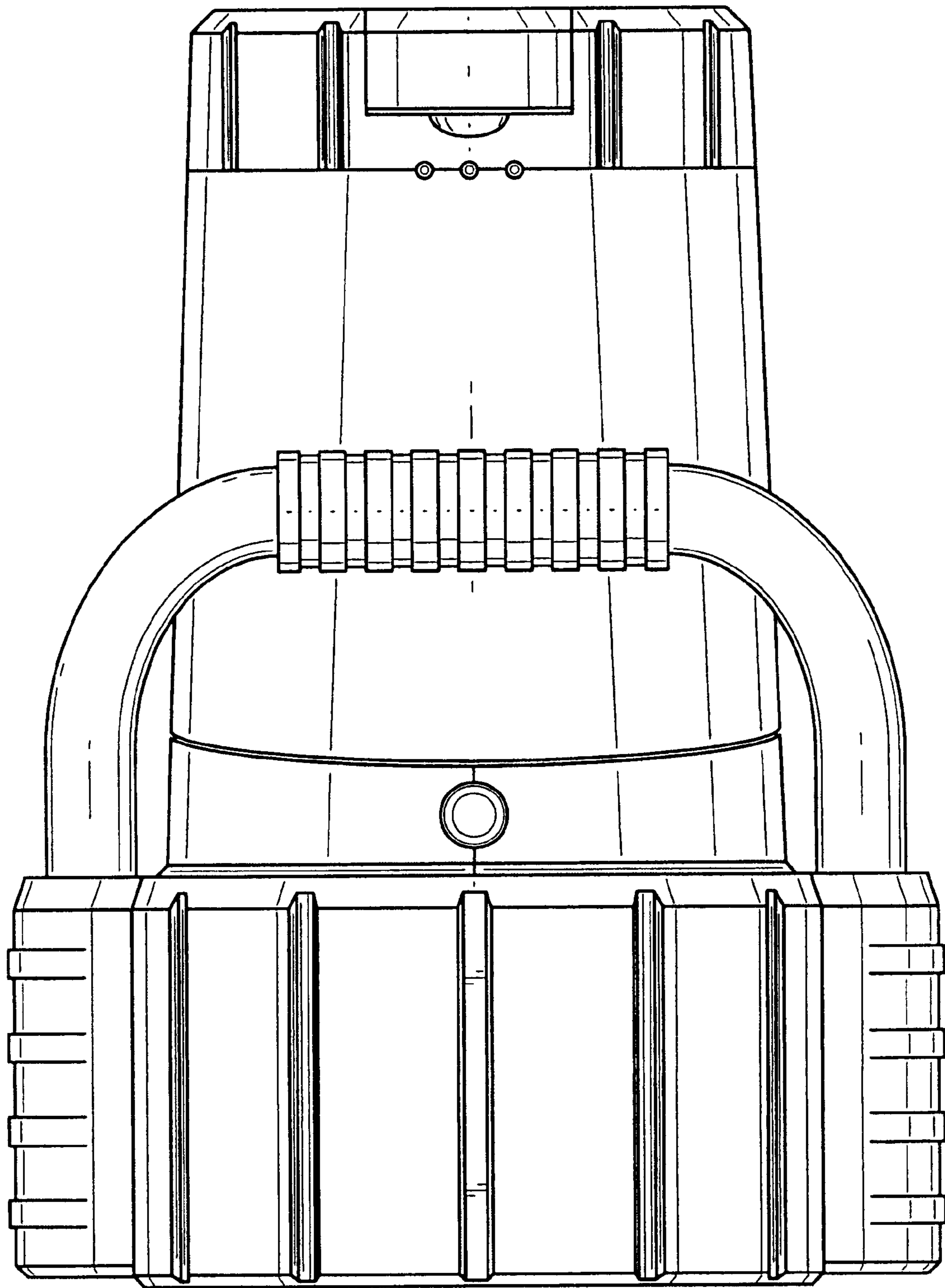


FIG. 6

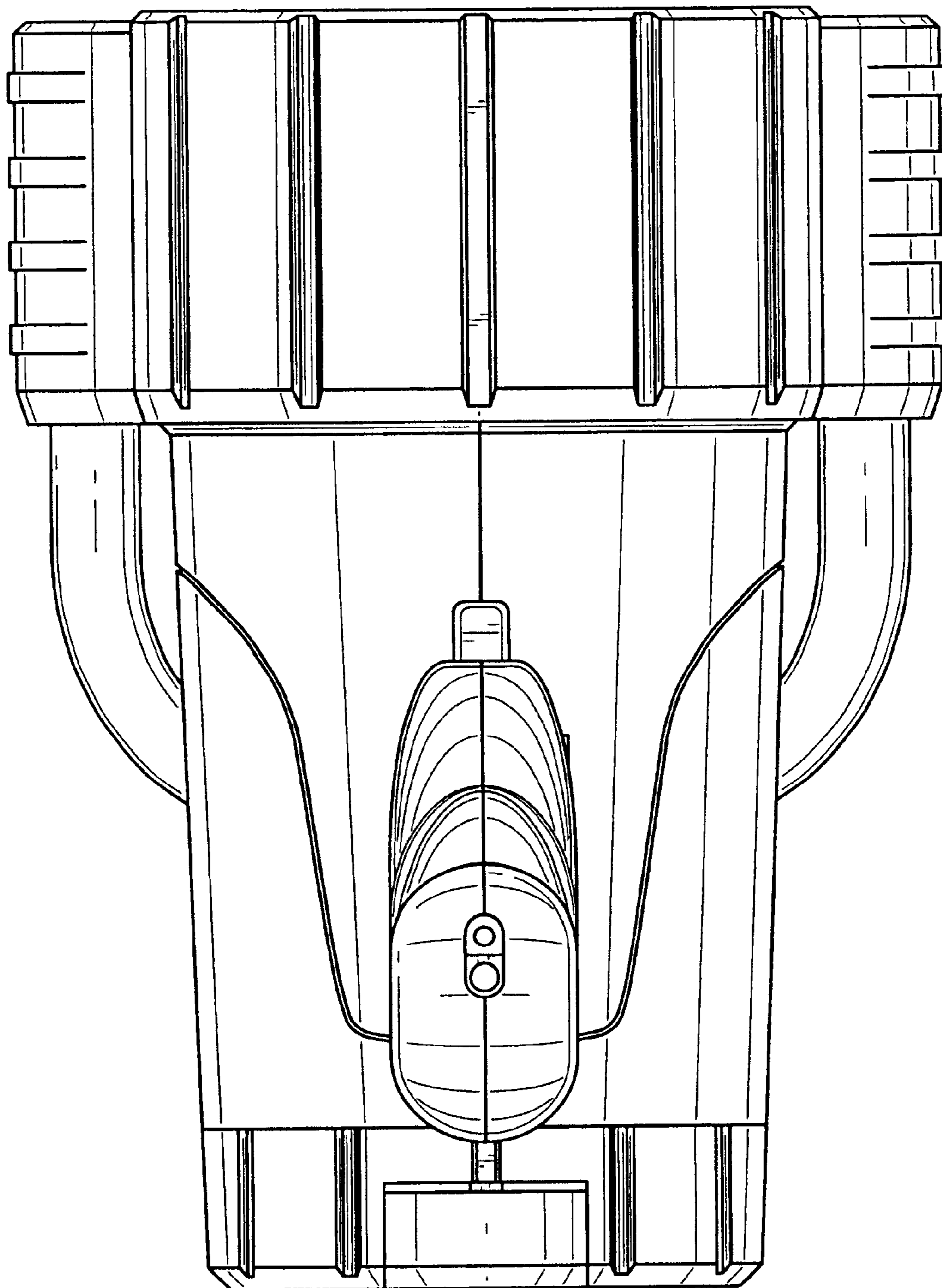


FIG. 7