



US00D518210S

(12) **United States Design Patent**
Nagano et al.

(10) **Patent No.:** **US D518,210 S**

(45) **Date of Patent:** **** Mar. 28, 2006**

(54) **HEADLAMP**

(75) Inventors: **Toshiyuki Nagano**, Takarazuka (JP);
Yoji Okuda, Tondabayashi (JP)

(73) Assignee: **Cateye Co., Ltd.**, Osaka (JP)

(**) Term: **14 Years**

(21) Appl. No.: **29/209,961**

(22) Filed: **Jul. 23, 2004**

(30) **Foreign Application Priority Data**

Mar. 3, 2004 (JP) 2004-006467

(51) **LOC (8) Cl.** **26-02**

(52) **U.S. Cl.** **D26/39**

(58) **Field of Classification Search** D26/37-50;
362/157, 158, 171-174, 183-208
See application file for complete search history.

(56) **References Cited**

U.S. PATENT DOCUMENTS

D383,229 S * 9/1997 Kiichiro D26/39

D389,932 S * 1/1998 Mariani D26/39
D445,929 S * 7/2001 Shing D26/39
D447,586 S * 9/2001 Shing D26/39
D447,587 S * 9/2001 Poon D26/39

* cited by examiner

Primary Examiner—Marcus A. Jackson

(74) *Attorney, Agent, or Firm*—Olson & Hierl, Ltd.

(57) **CLAIM**

The ornamental design for a headlamp, as shown.

DESCRIPTION

FIG. 1 is a perspective view of a headlamp showing our new design;

FIG. 2 is a front view thereof;

FIG. 3 is a rear view thereof;

FIG. 4 is a top plan view thereof;

FIG. 5 is a bottom plan view thereof;

FIG. 6 is a right side view thereof; and,

FIG. 7 is a left side view thereof.

1 Claim, 4 Drawing Sheets

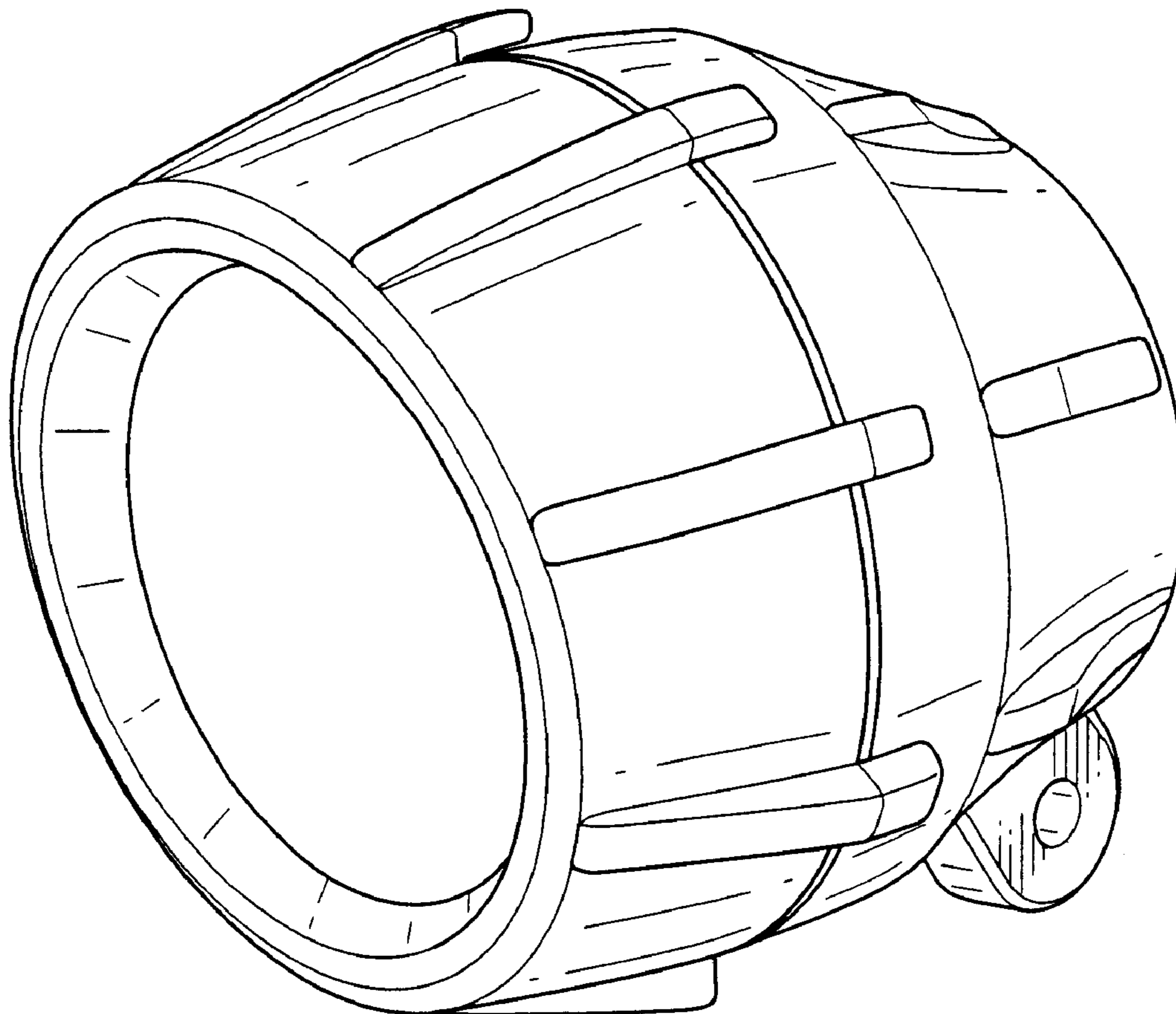


Fig. 1

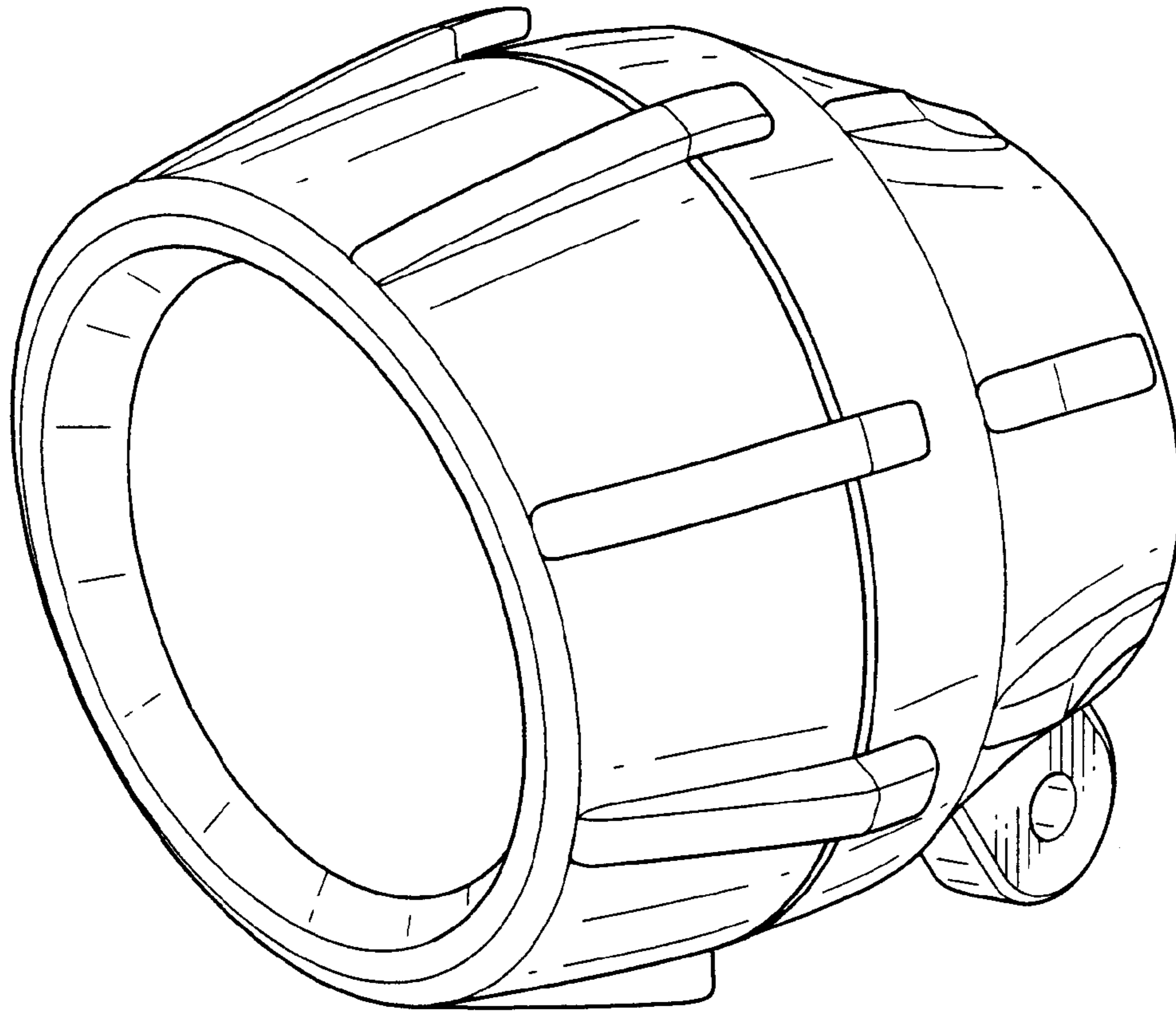


Fig. 2

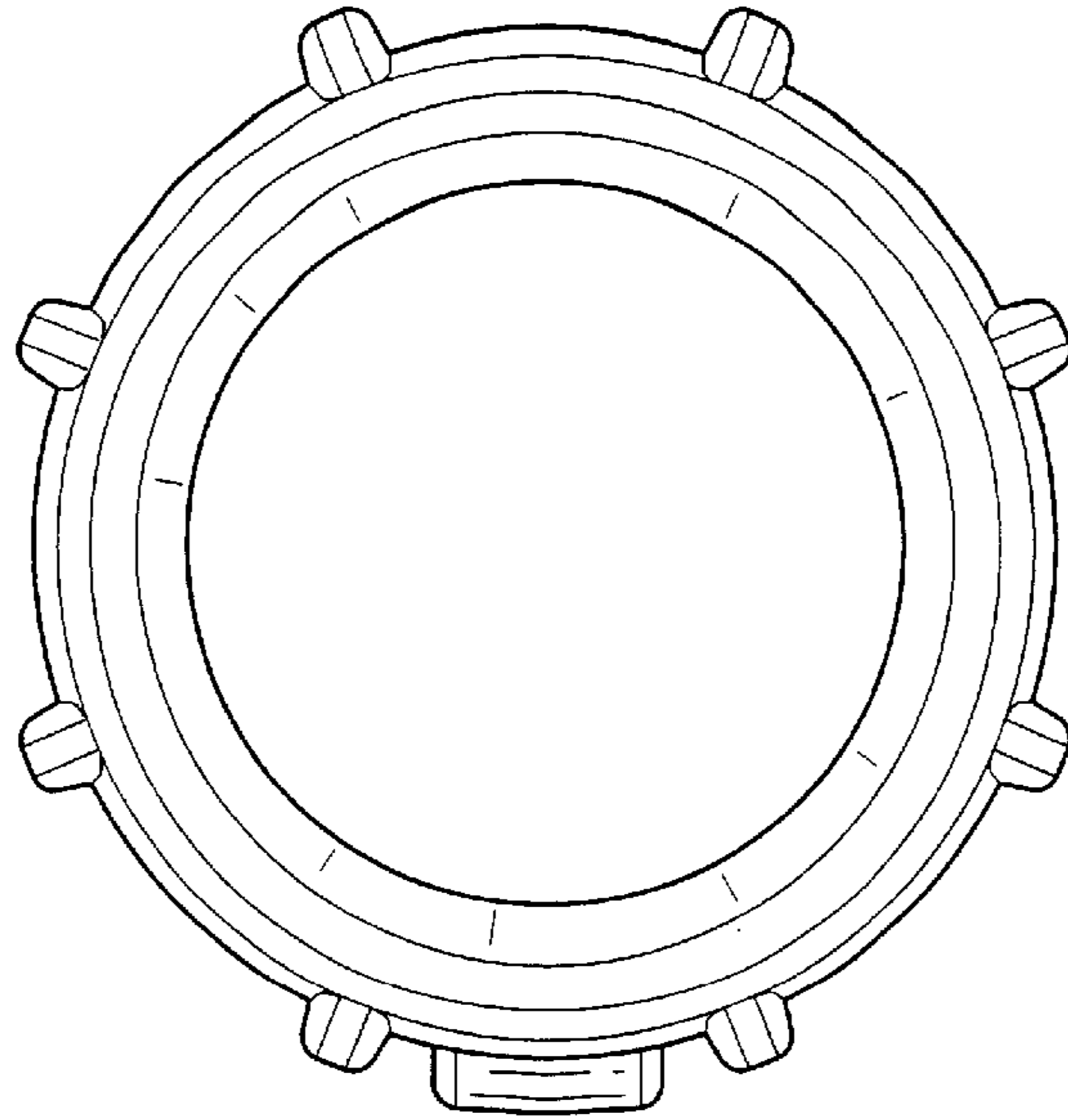


Fig. 3

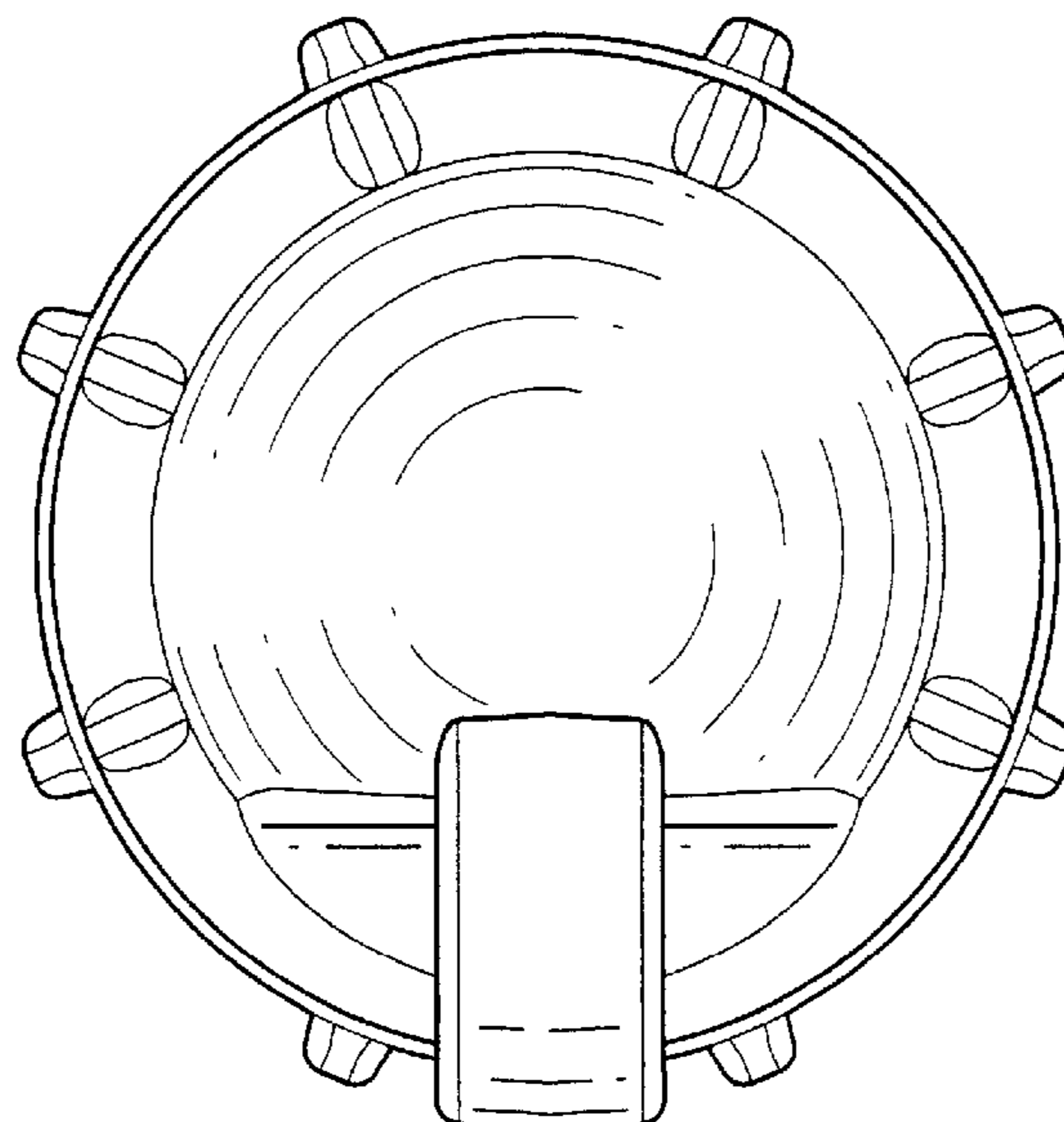


Fig. 4

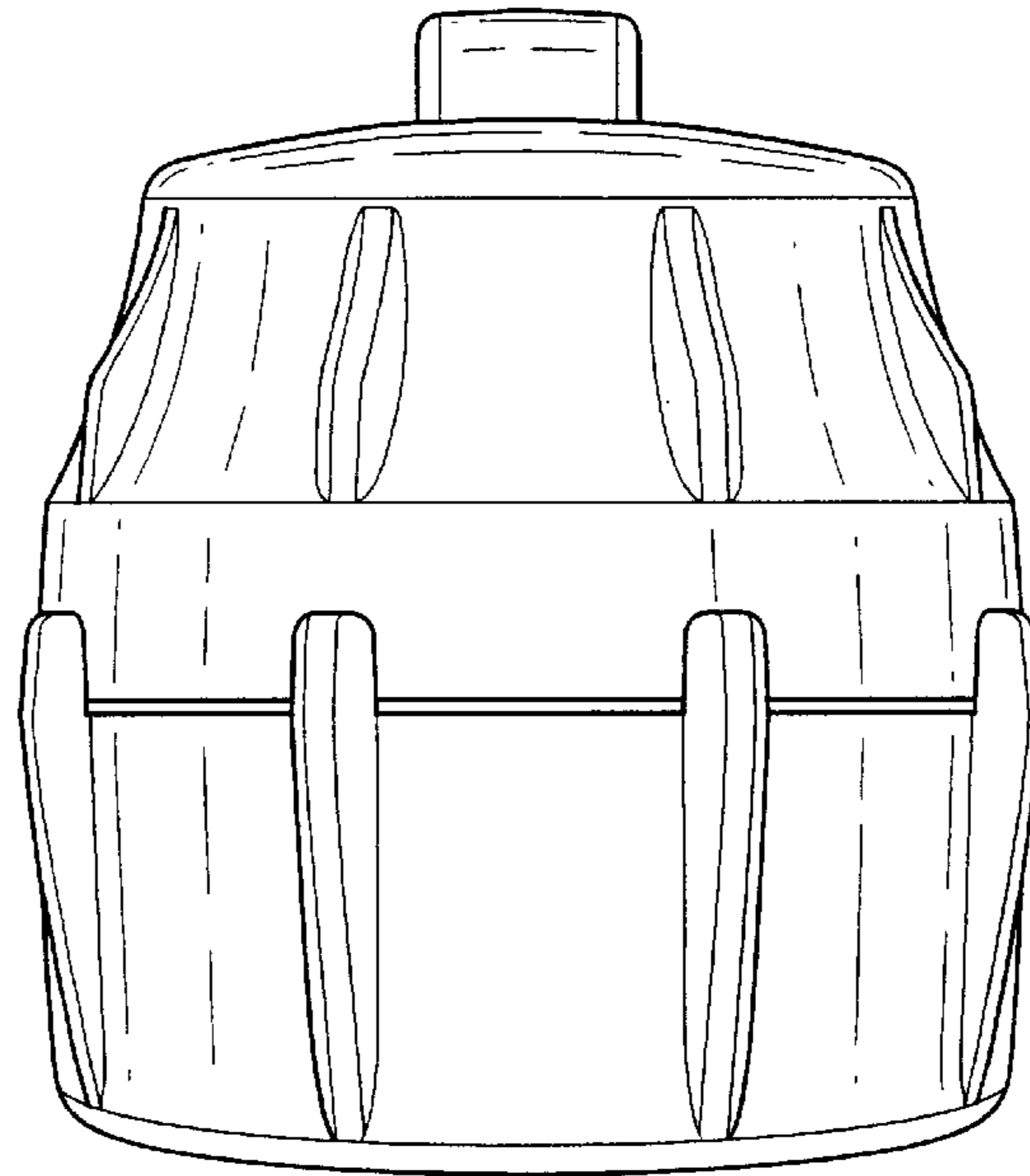


Fig. 5

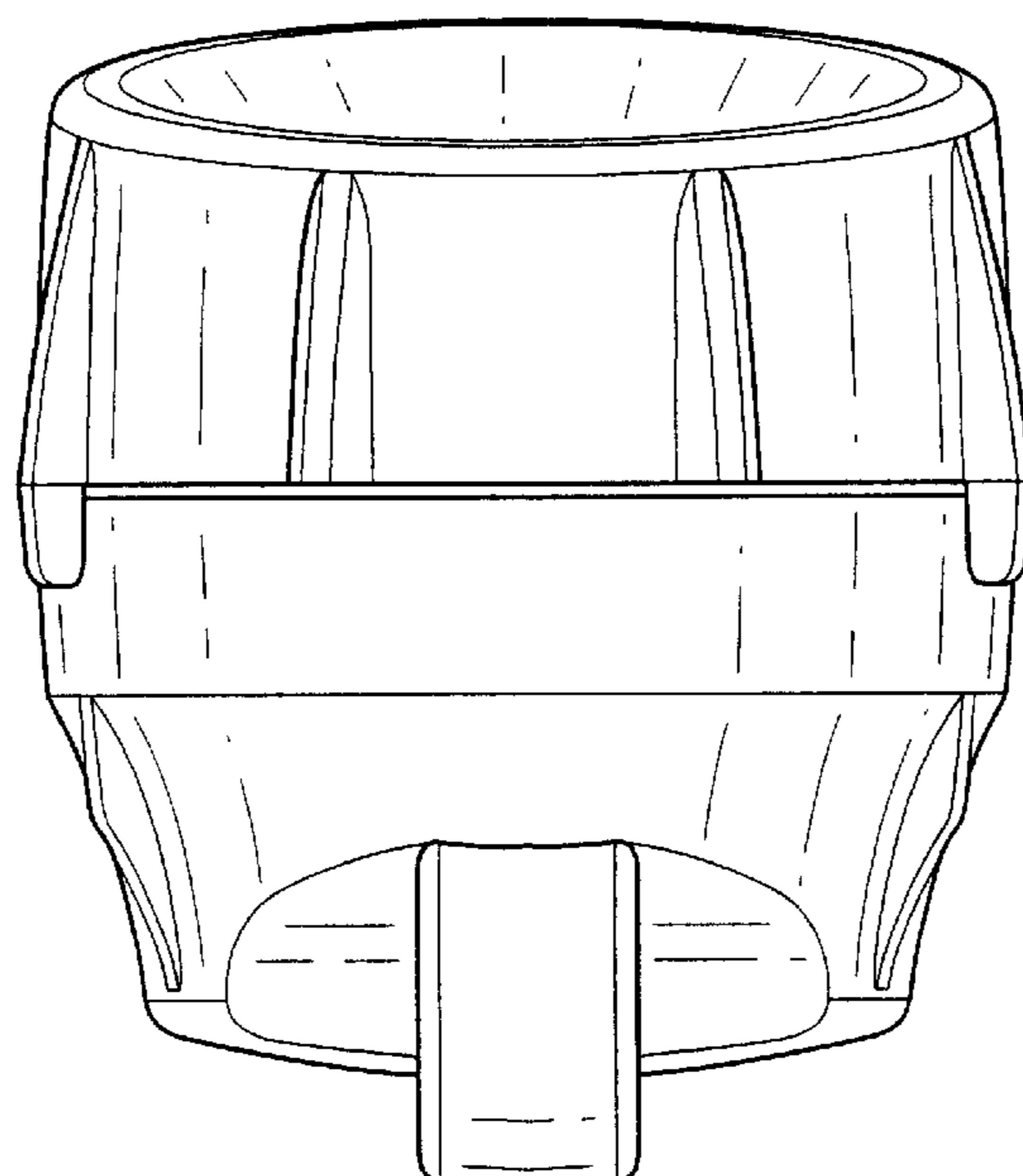


Fig. 6

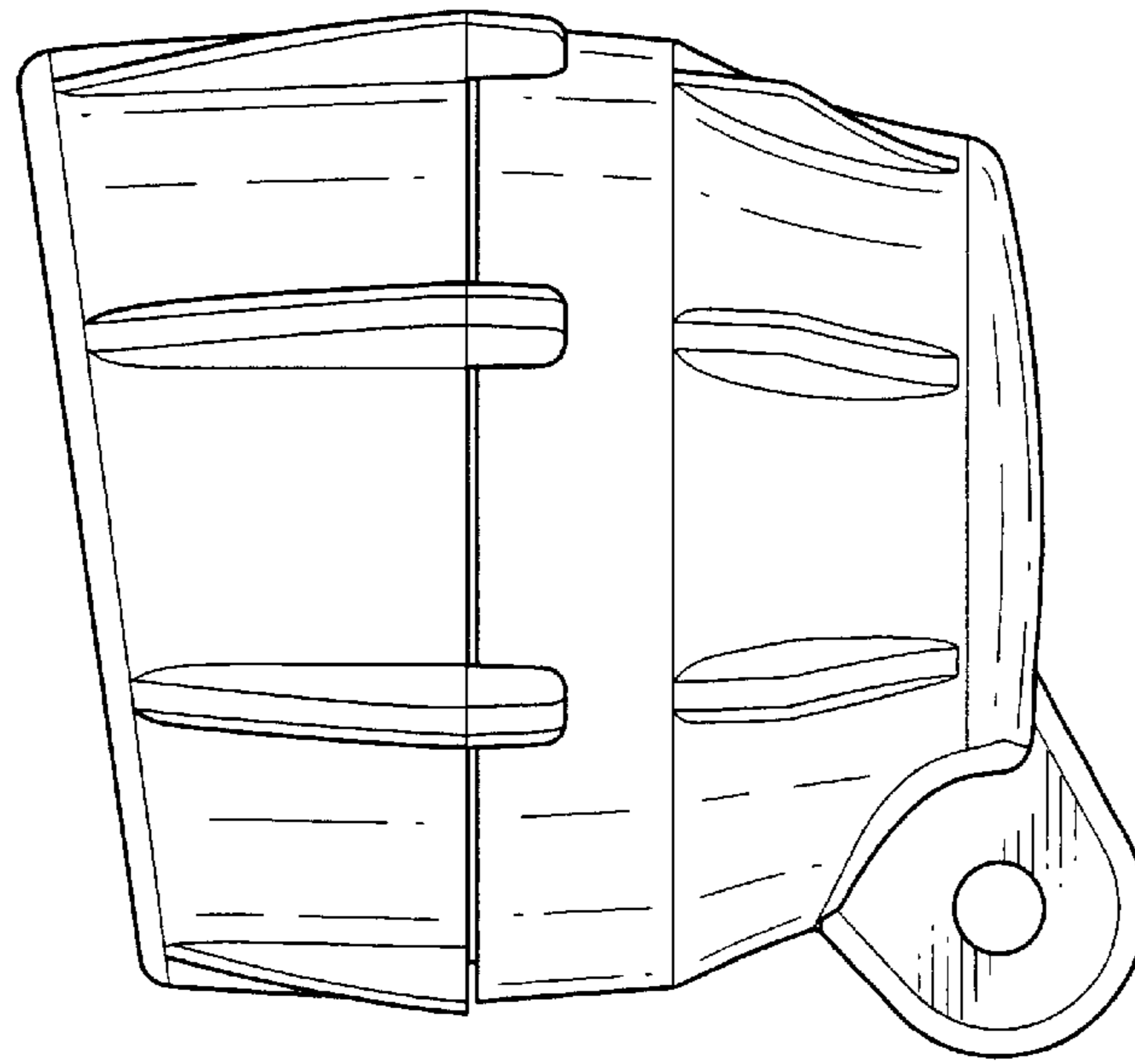


Fig. 7

