



US00D518206S

(12) **United States Design Patent**
Chuang

(10) **Patent No.:** **US D518,206 S**
(45) **Date of Patent:** **** Mar. 28, 2006**

(54) **REAR COMBINATION LAMPS FOR
AUTOMOBILE BODY**

(75) Inventor: **Yung-Yi Chuang**, Taipei (TW)

(73) Assignee: **Laster Tech Corporation Ltd.**,
Chungho (TW)

(**) Term: **14 Years**

(21) Appl. No.: **29/222,237**

(22) Filed: **Jan. 28, 2005**

(51) **LOC (8) Cl.** **26-06**

(52) **U.S. Cl.** **D26/28**

(58) **Field of Classification Search** D26/28-36;
362/459-468, 475-478, 485-487

See application file for complete search history.

(56) **References Cited**

U.S. PATENT DOCUMENTS

D496,112 S * 9/2004 Lin D26/28

D500,375 S * 12/2004 He D26/28

D503,816 S * 4/2005 Schlachter D26/28

* cited by examiner

Primary Examiner—Marcus A. Jackson

(74) *Attorney, Agent, or Firm*—Winston Hsu

(57) **CLAIM**

The ornamental design for rear combination lamps for automobile body, as shown and described.

DESCRIPTION

FIG. 1 is a perspective view of a first embodiment showing rear combination lamps for automobile body of the new design installed on an automobile body;

FIG. 2 is a front view thereof;

FIG. 3 is a left side view thereof;

FIG. 4 is a right side view thereof;

FIG. 5 is a top view thereof;

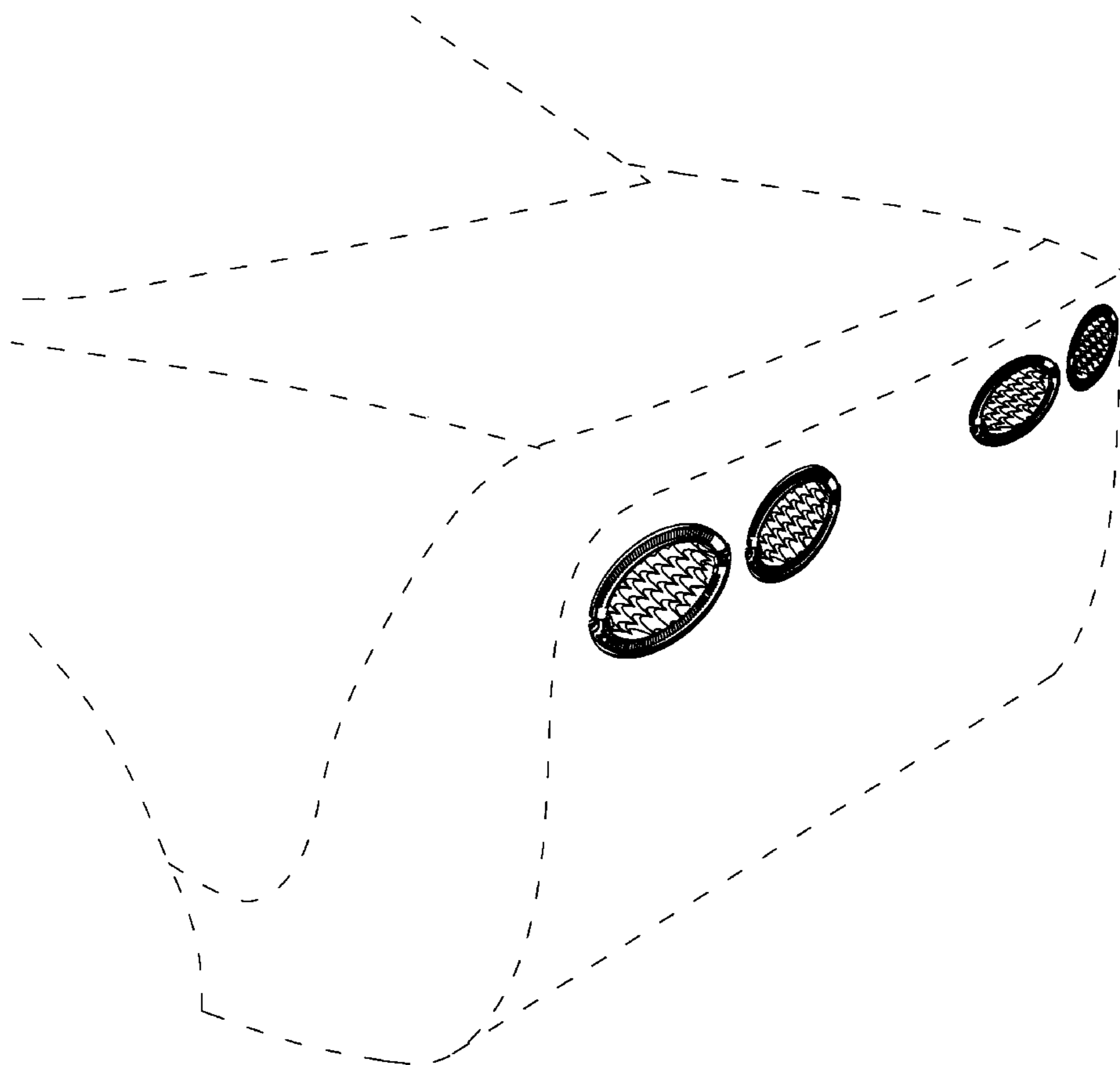
FIG. 6 is an enlarged view of the rear combination lamps for automobile body shown in FIG. 3 without illustrating a transparent cover thereon;

FIG. 7 is an enlarged view of the rear combination lamps for automobile body shown in FIG. 4 without illustrating a transparent cover thereon; and,

FIG. 8 is a perspective view of a second embodiment showing rear combination lamps for automobile body of the new design installed on an automobile body.

The broken line showing the automobile body is only for illustrative purposes and forms no part of the claimed design.

1 Claim, 8 Drawing Sheets



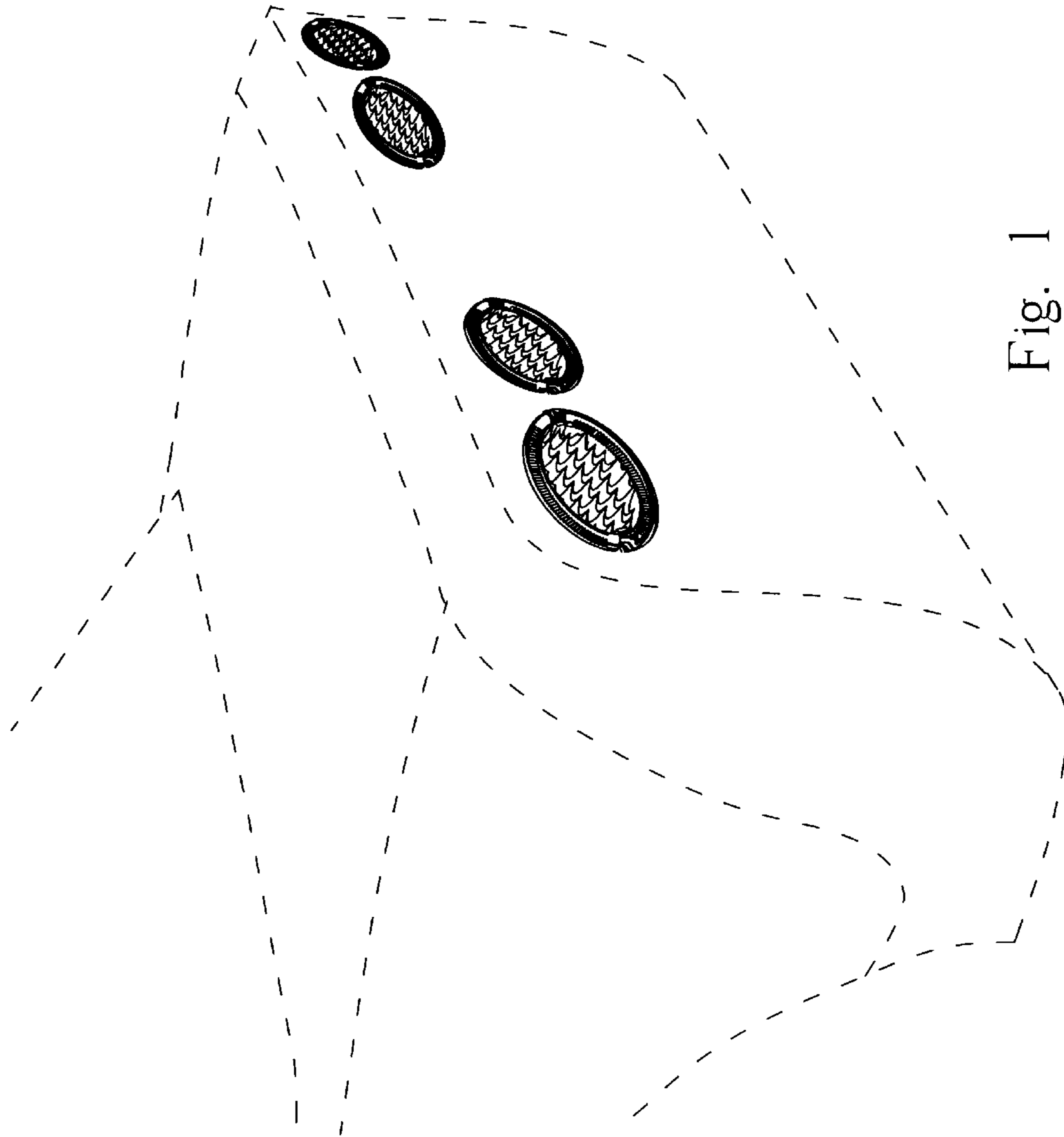


Fig. 1

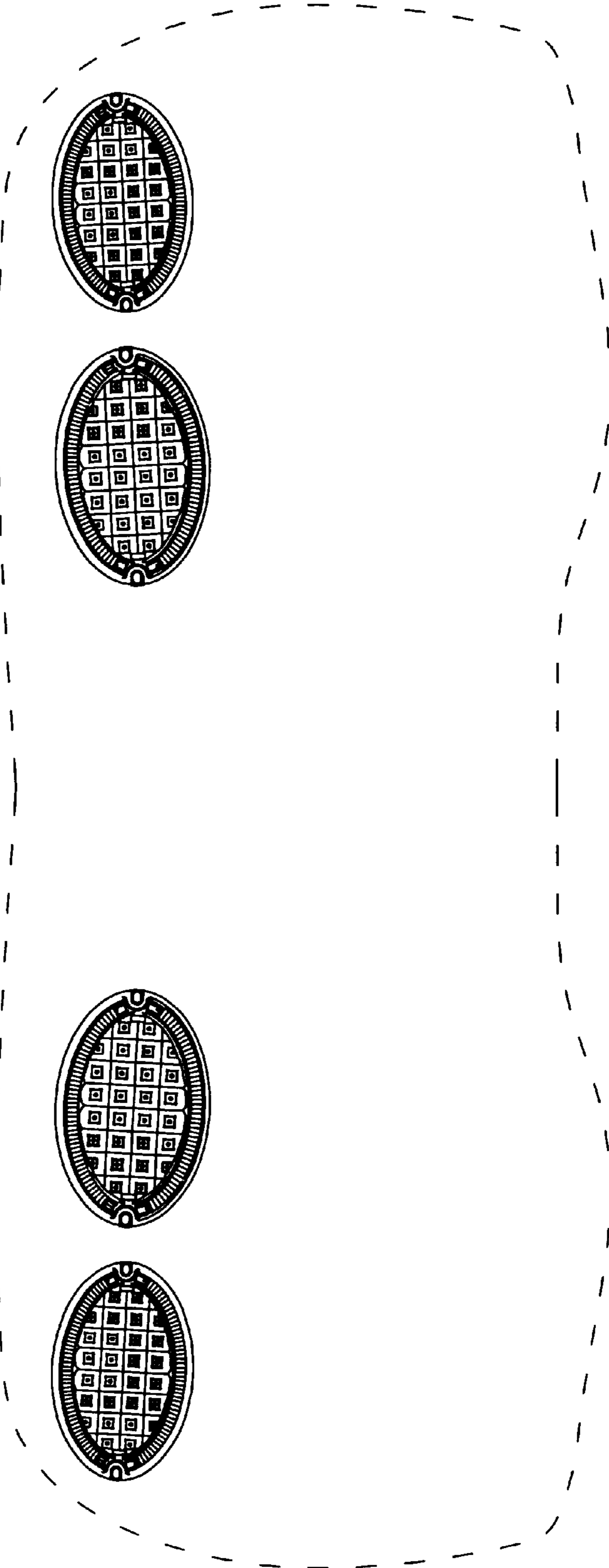


Fig. 2

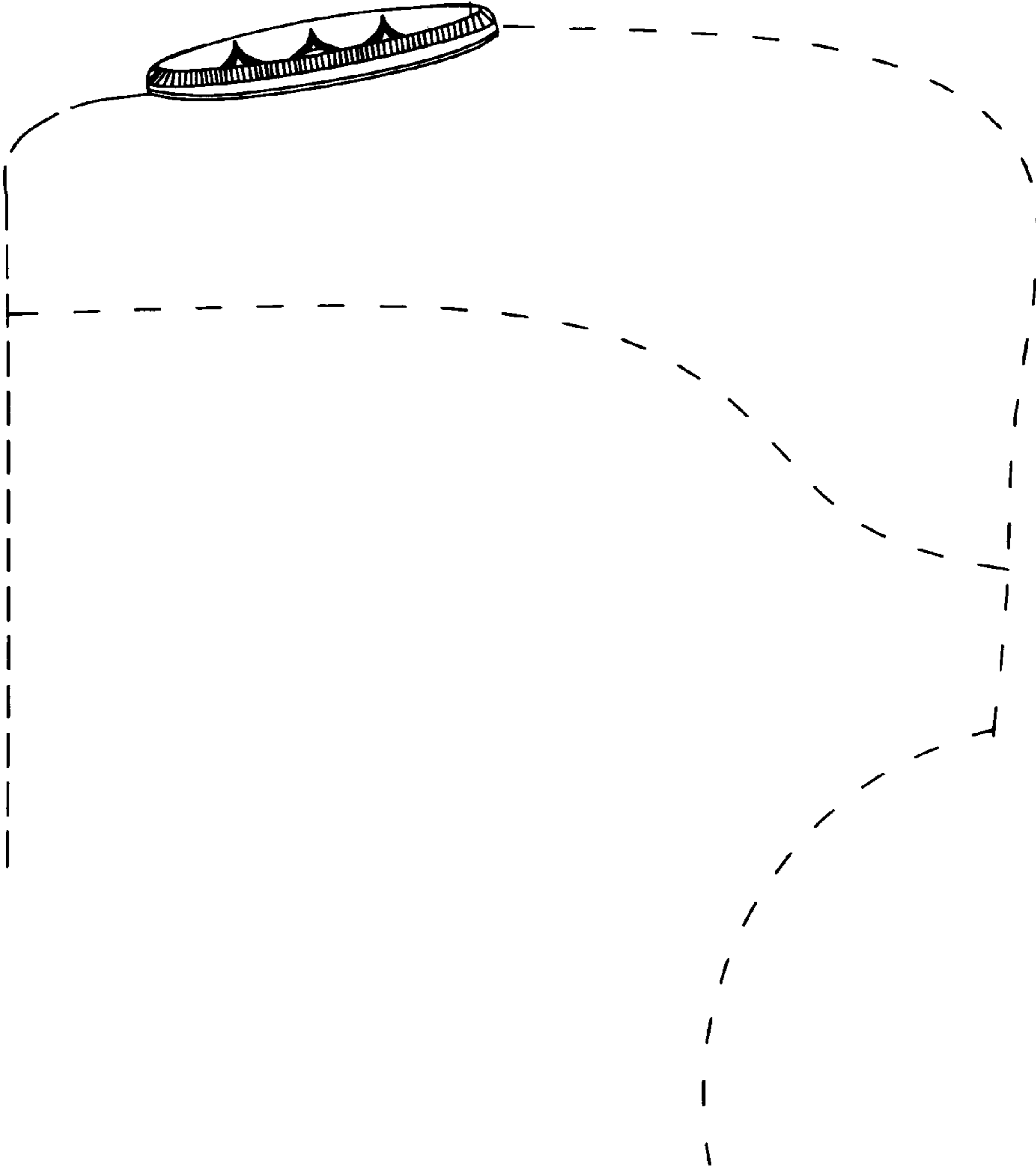


Fig. 3

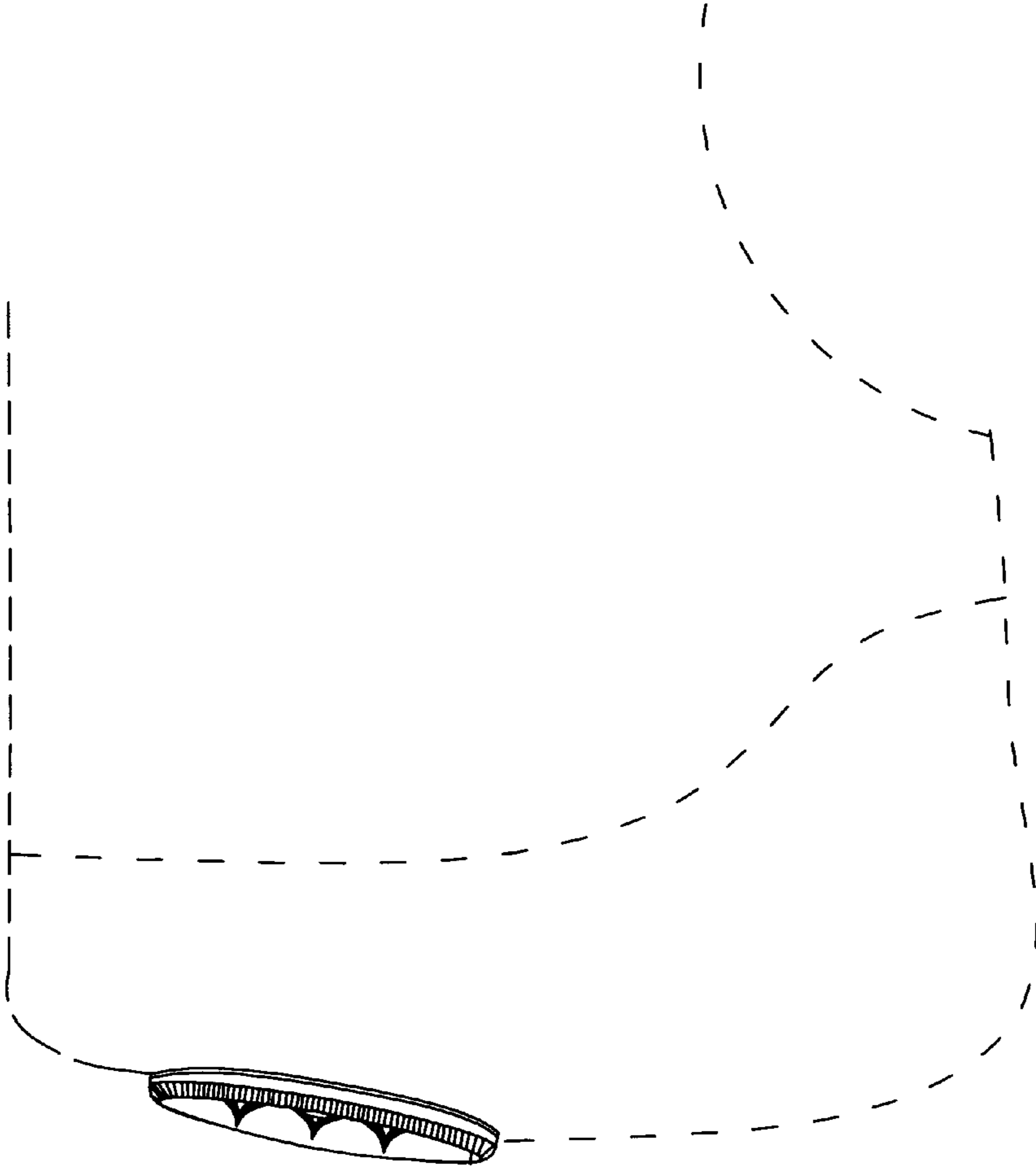


Fig. 4

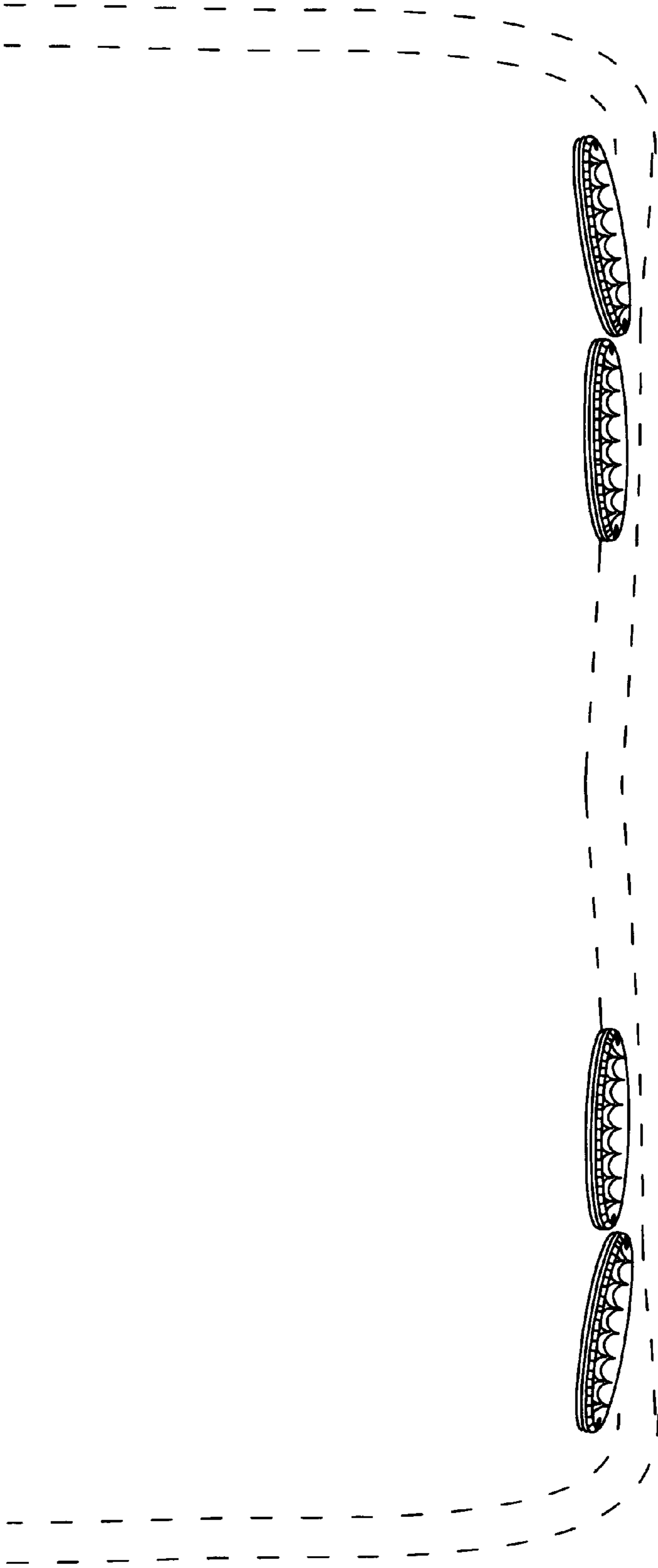


Fig. 5

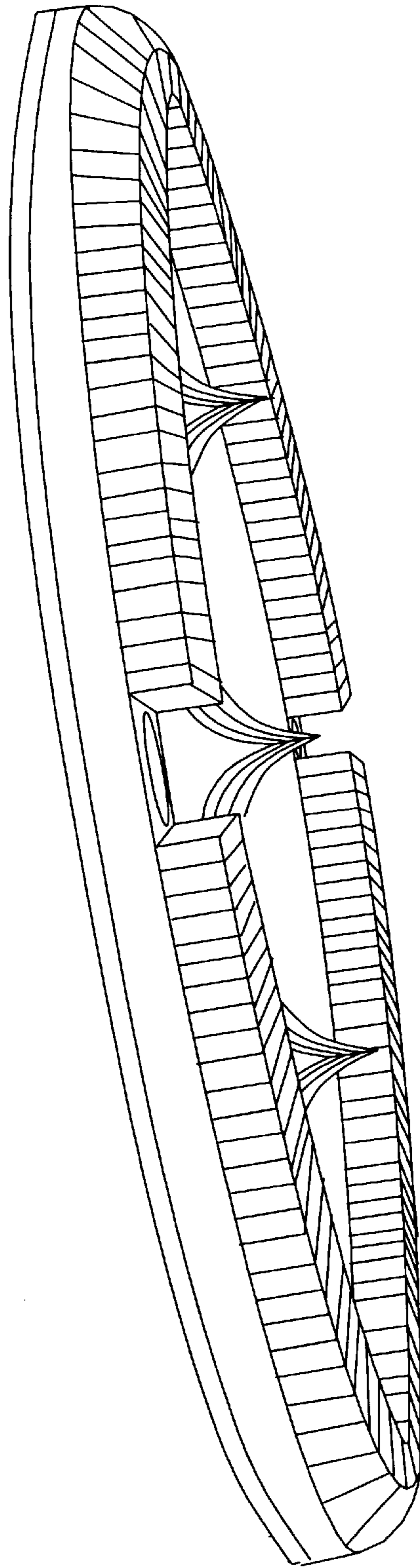


Fig. 6

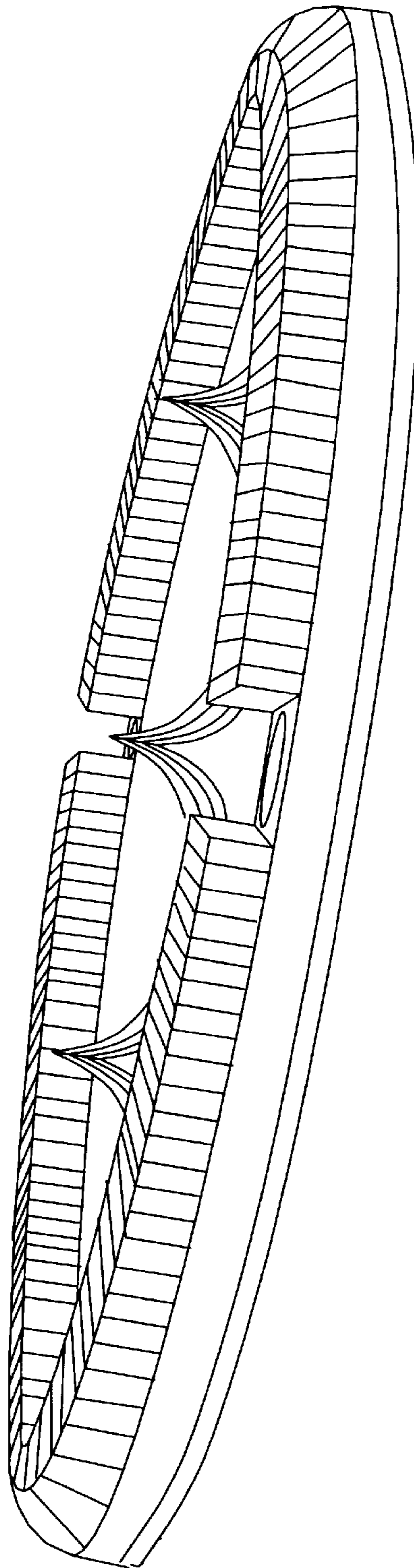


Fig. 7

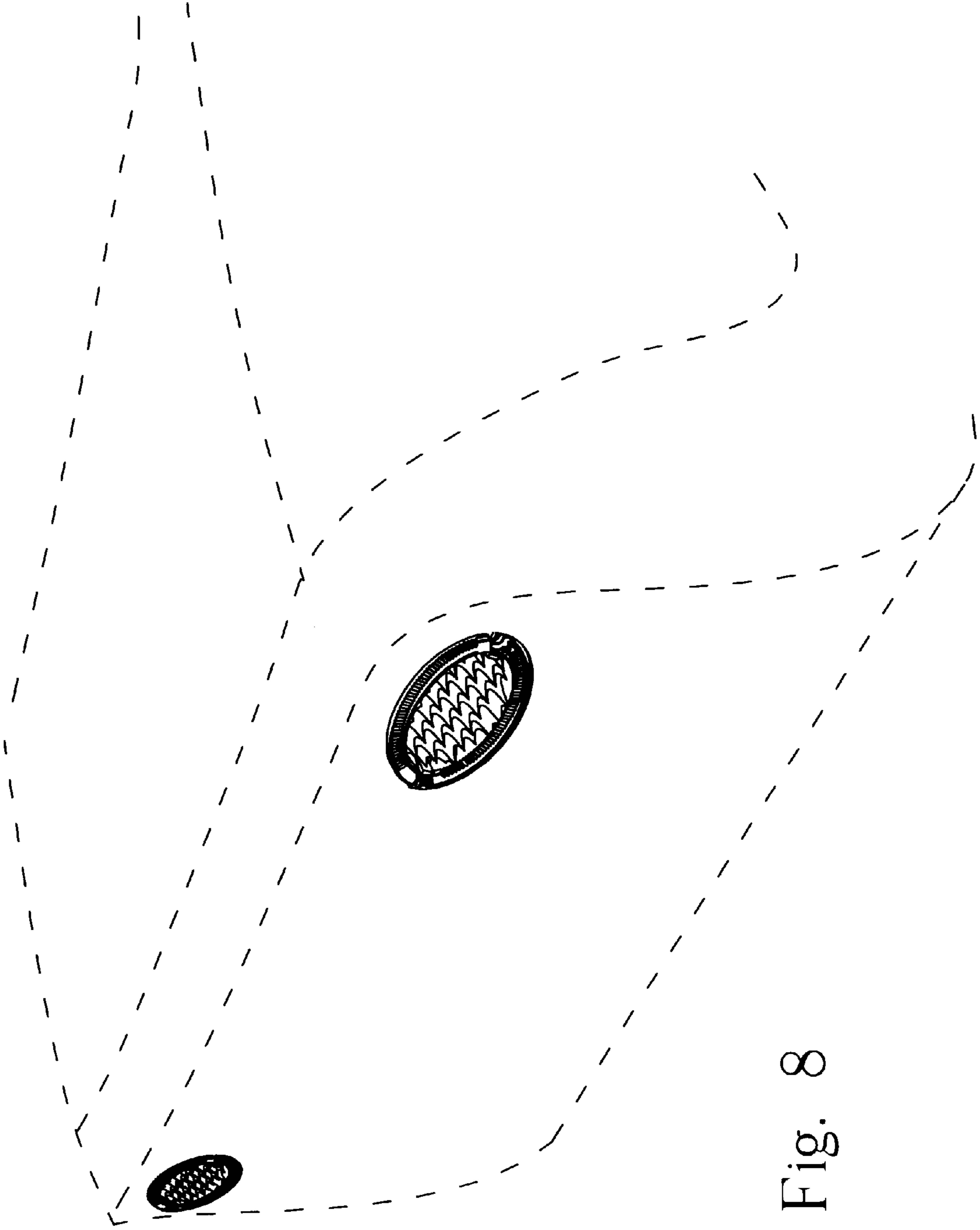


Fig. 8