



US00D518204S

(12) **United States Design Patent**  
**Phillips et al.**

(10) **Patent No.:** **US D518,204 S**  
(45) **Date of Patent:** **\*\* Mar. 28, 2006**

(54) **MOTORCYCLE SIDE MARKER**

(75) Inventors: **Wendell G. Phillips**, San Clemente, CA (US); **Paul A. Franson**, San Clemente, CA (US)

(73) Assignee: **Lockhart-Phillips USA, Inc.**, San Clemente, CA (US)

(\*\*) Term: **14 Years**

(21) Appl. No.: **29/222,042**

(22) Filed: **Jan. 24, 2005**

(51) **LOC (8) Cl.** ..... **26-06**

(52) **U.S. Cl.** ..... **D26/28**

(58) **Field of Classification Search** ..... D26/28-36, D26/72, 120-124; D10/114; 362/147, 363, 362/326-340, 404, 455, 459-463, 473-476, 362/485-490; 180/219; D12/110  
See application file for complete search history.

(56) **References Cited**

**U.S. PATENT DOCUMENTS**

- D363,675 S \* 10/1995 Sasaki et al. .... D10/114
- D420,302 S \* 2/2000 Barnhart ..... D26/28
- D424,723 S \* 5/2000 Hall et al. .... D26/28

**OTHER PUBLICATIONS**

Drag Specialties 2002 FatBook, marker lights and kits on pp. 472-477.\*

\* cited by examiner

*Primary Examiner*—Alan P. Douglas

*Assistant Examiner*—Linda Brooks

(74) *Attorney, Agent, or Firm*—Marc J. Frechette, Esq.; Crockett & Crockett

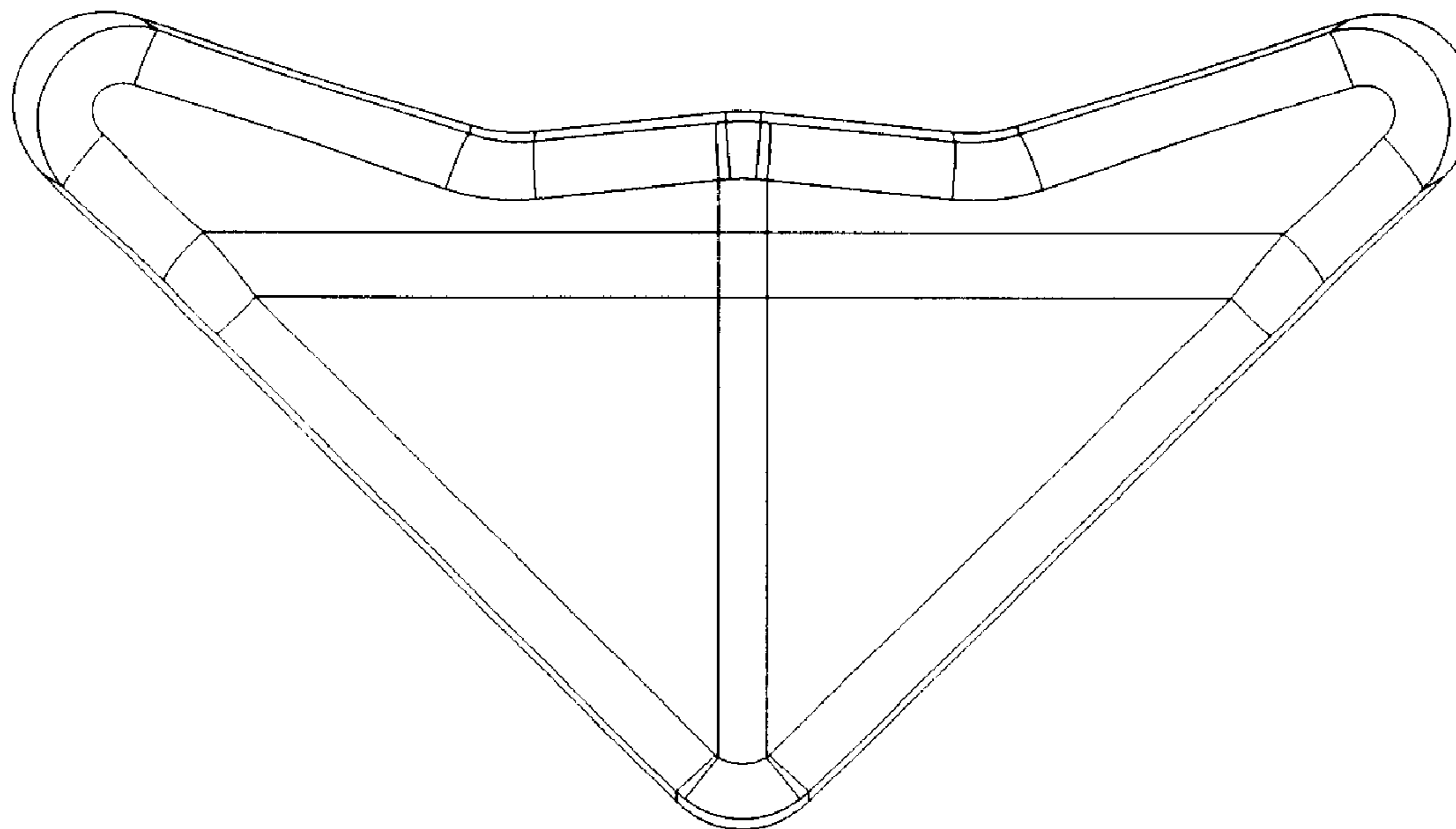
(57) **CLAIM**

We claim the ornamental design for a motorcycle side marker, as shown and described.

**DESCRIPTION**

FIG. 1 is a top plan view of a motorcycle side marker showing my new design;  
FIG. 2 is a front view thereof;  
FIG. 3 is a bottom view thereof;  
FIG. 4 is a left side elevation view thereof;  
FIG. 5 is a perspective view of the front, bottom and left side thereof; and,  
FIG. 6 is a perspective view of the front, bottom and right side thereof.

**1 Claim, 3 Drawing Sheets**



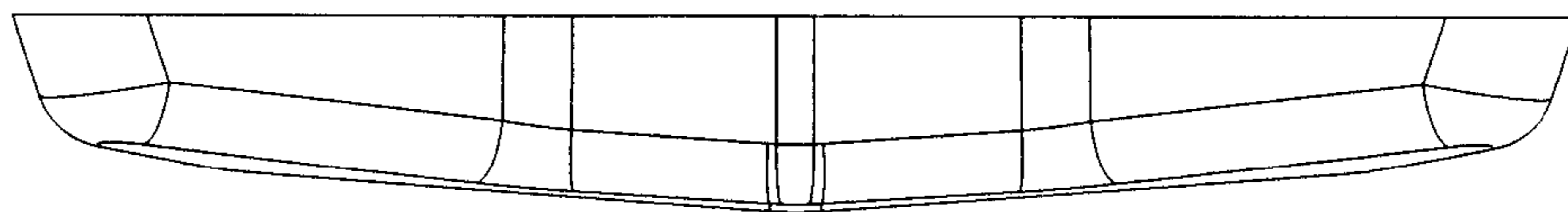


Fig. 1

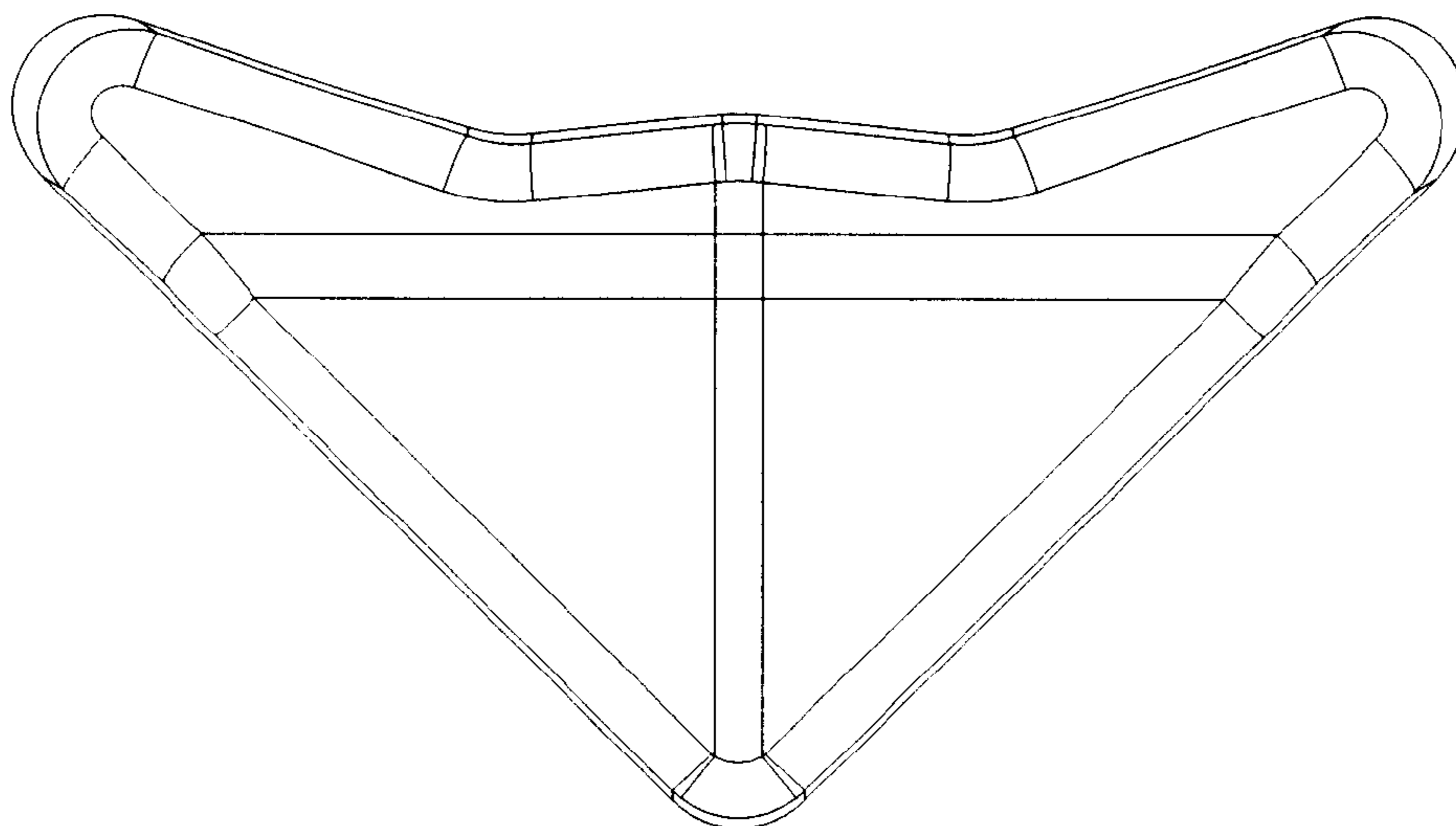


Fig. 2

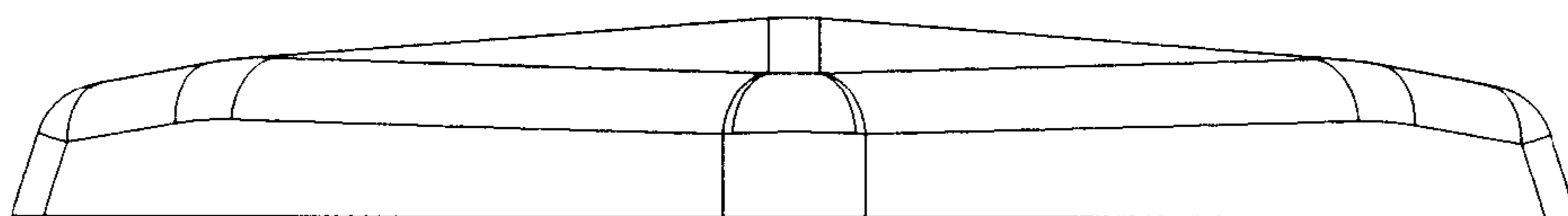


Fig. 3

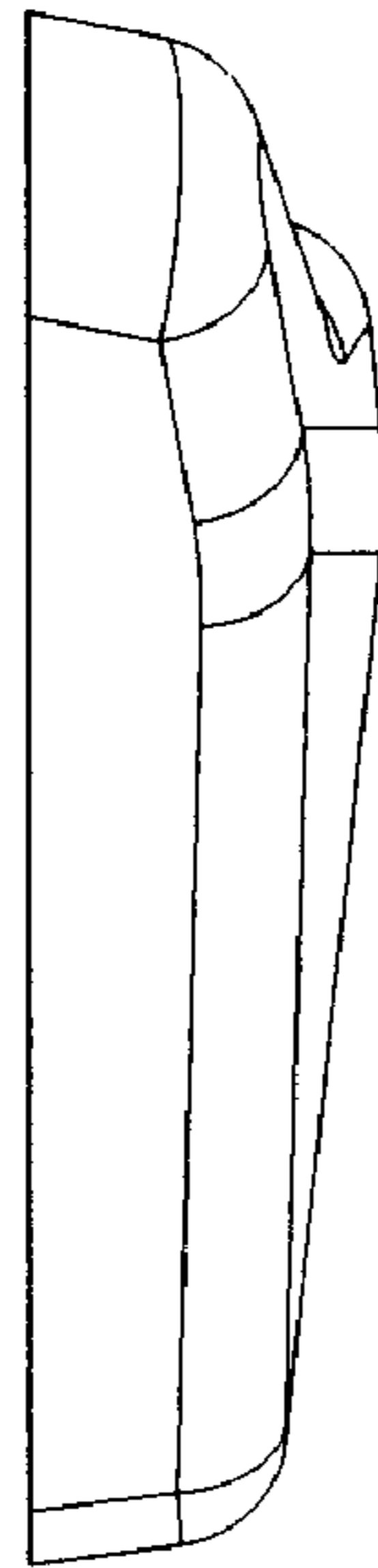


Fig. 4

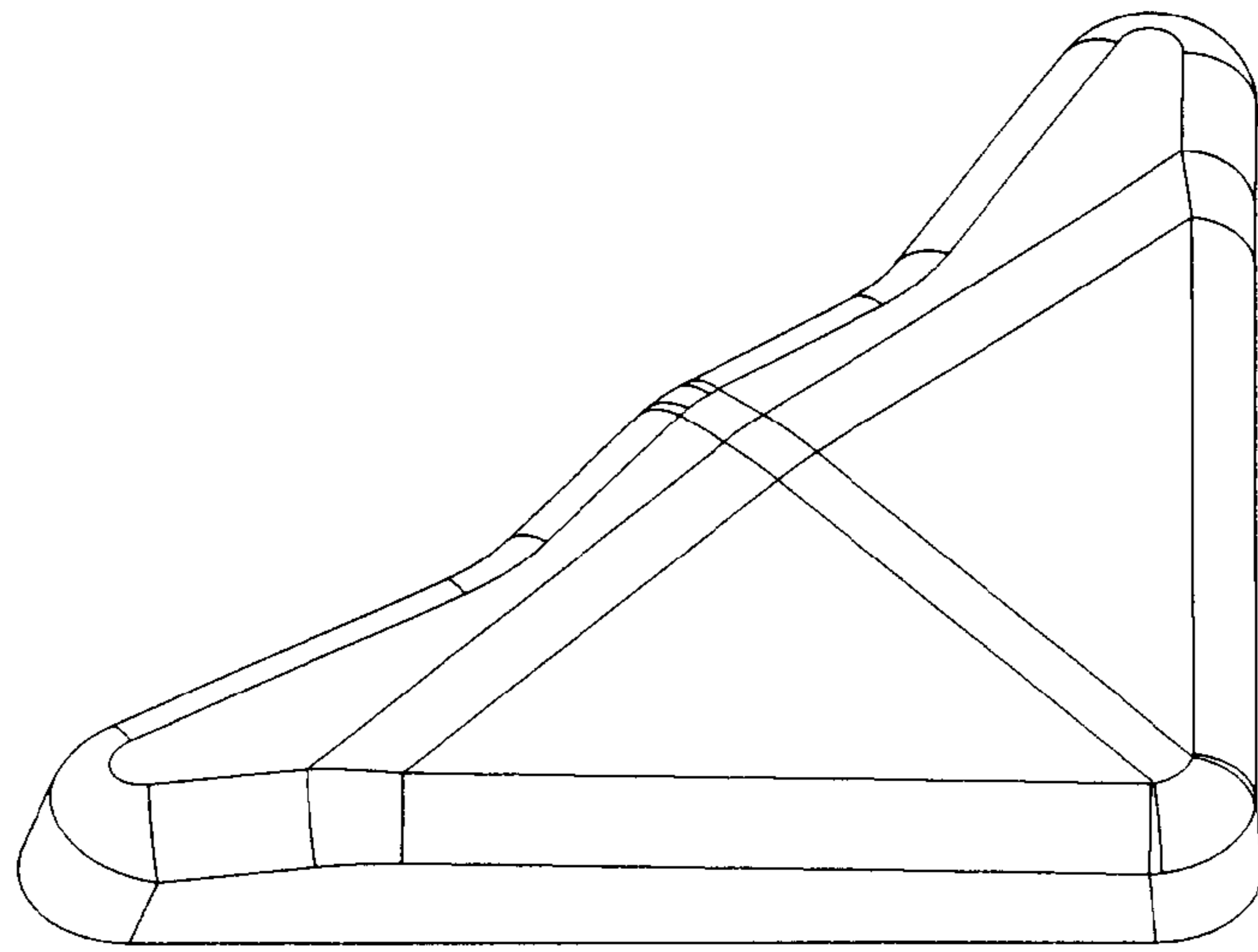


Fig. 5

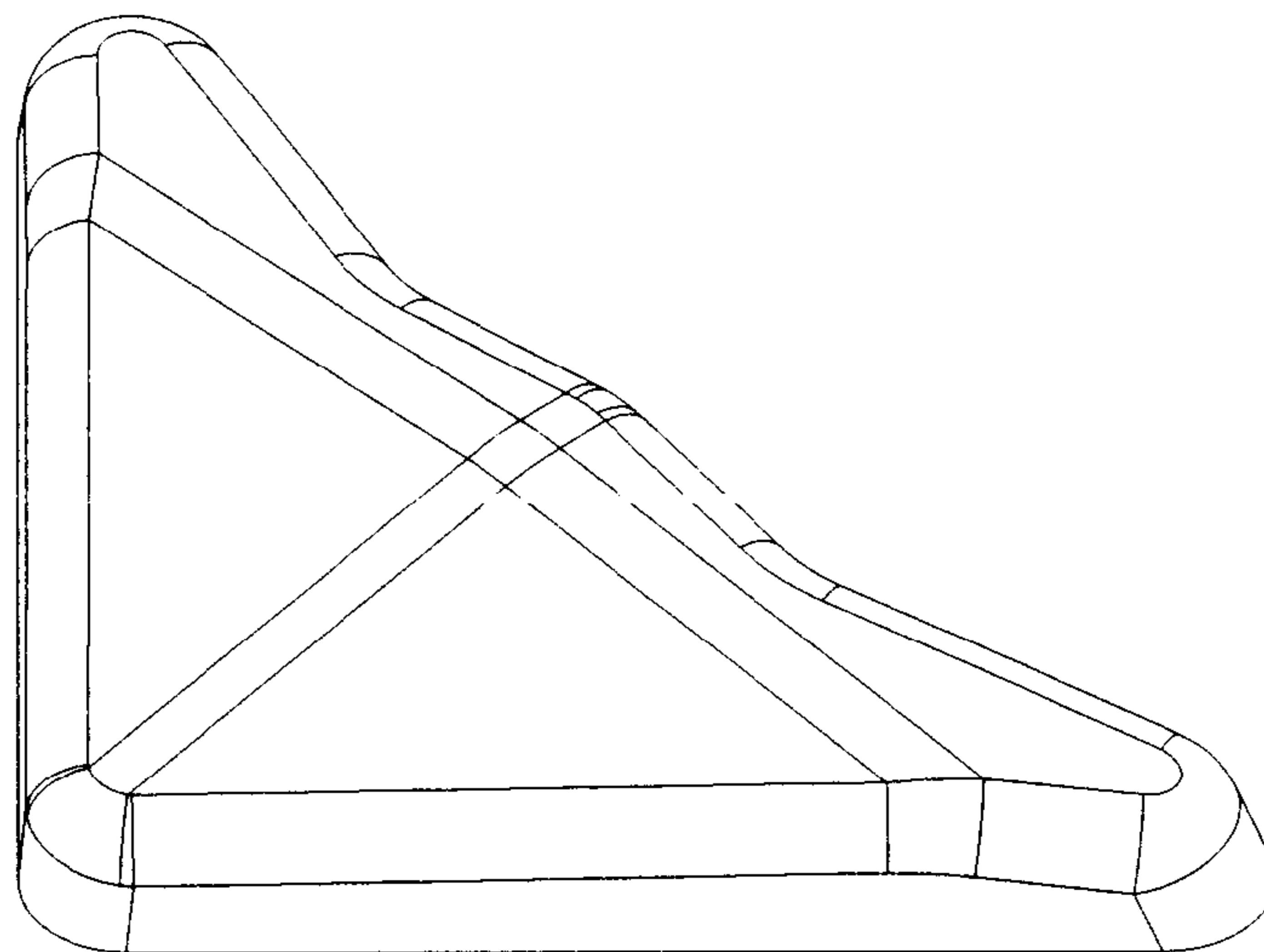


Fig. 6