



US00D518202S

(12) **United States Design Patent**
Phillips et al.

(10) **Patent No.:** **US D518,202 S**
(45) **Date of Patent:** **** Mar. 28, 2006**

(54) **MOTORCYCLE SIDE MARKER**

(75) Inventors: **Wendell G. Phillips**, San Clemente, CA (US); **Paul A. Franson**, San Clemente, CA (US)

(73) Assignee: **Lockhart-Phillips USA, Inc.**, San Clemente, CA (US)

(**) Term: **14 Years**

(21) Appl. No.: **29/222,039**

(22) Filed: **Jan. 24, 2005**

(51) **LOC (8) Cl.** **26-06**

(52) **U.S. Cl.** **D26/28**

(58) **Field of Classification Search** D26/28-36,
D26/72, 120-124; D10/114; 362/147, 363,
362/326-340, 404, 455, 459-463, 473-476,
362/485-490; 180/219; D12/110
See application file for complete search history.

(56) **References Cited**

U.S. PATENT DOCUMENTS

- D363,675 S * 10/1995 Sasaki et al. D10/114
- D420,302 S * 2/2000 Barnhart D26/28
- D424,723 S * 5/2000 Hall et al. D26/28

OTHER PUBLICATIONS

Drag Specialties 2002 FatBook, marker lights and kits on pp. 472-477.*

* cited by examiner

Primary Examiner—Alan P. Douglas

Assistant Examiner—Linda Brooks

(74) *Attorney, Agent, or Firm*—Marc J. Frechette, Esq.;
Crockett & Crockett

(57) **CLAIM**

We claim the ornamental design for a motorcycle side marker, as shown and described.

DESCRIPTION

FIG. 1 is a back plan view of a motorcycle side marker showing my new design;

FIG. 2 is a top view thereof;

FIG. 3 is a front view thereof;

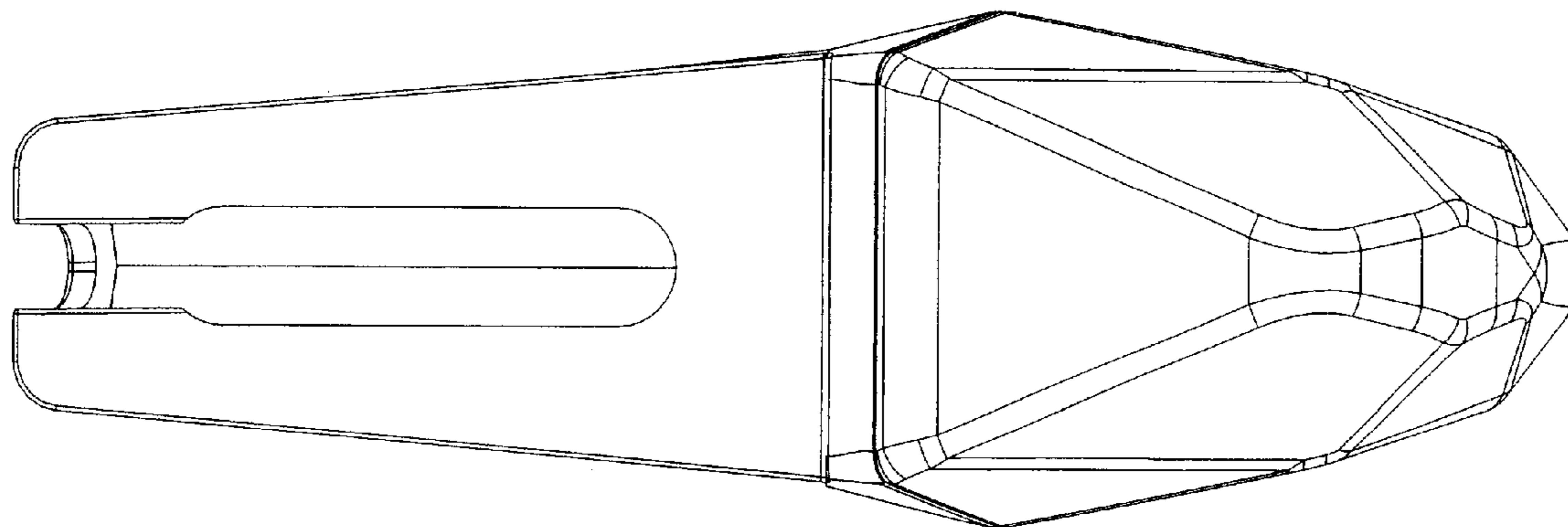
FIG. 4 is a left side elevation view thereof;

FIG. 5 is a right side elevation view thereof;

FIG. 6 is a perspective view of the front, top and left side thereof; and,

FIG. 7 is a perspective view of the front, top and right side thereof.

1 Claim, 3 Drawing Sheets



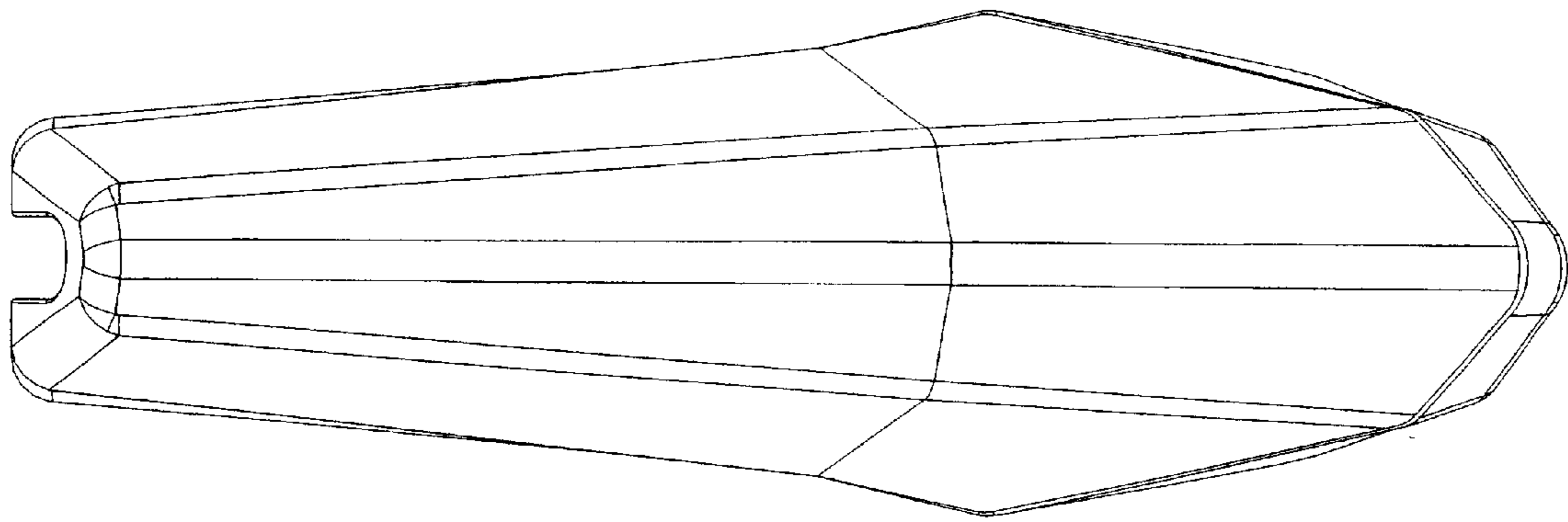


Fig. 1

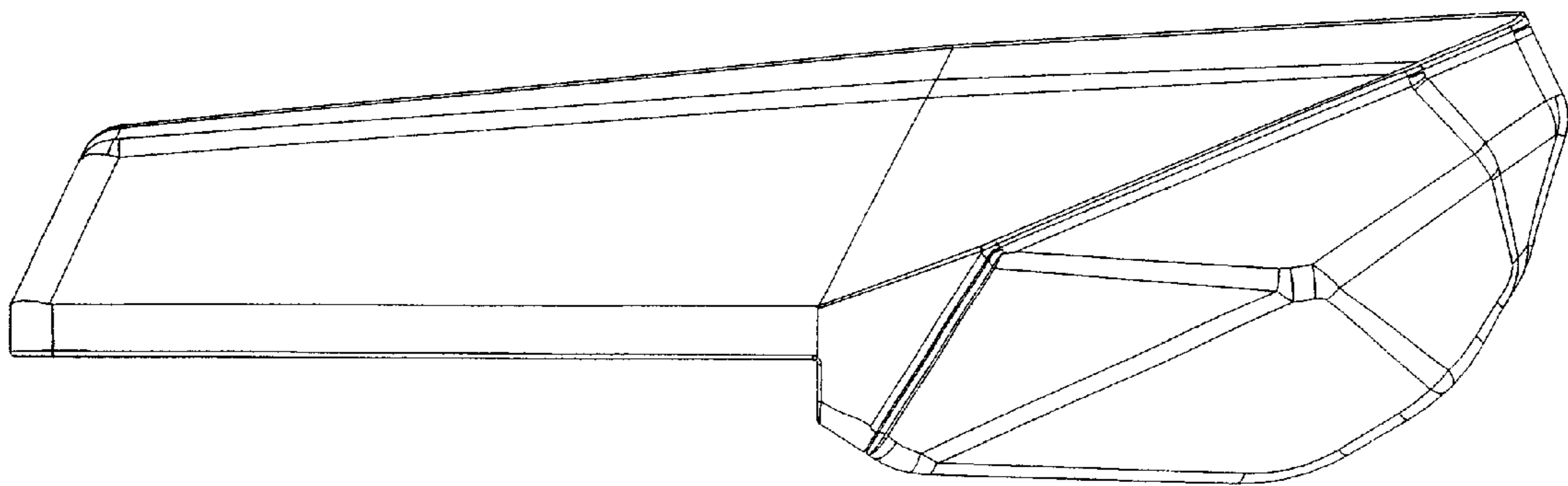


Fig. 2

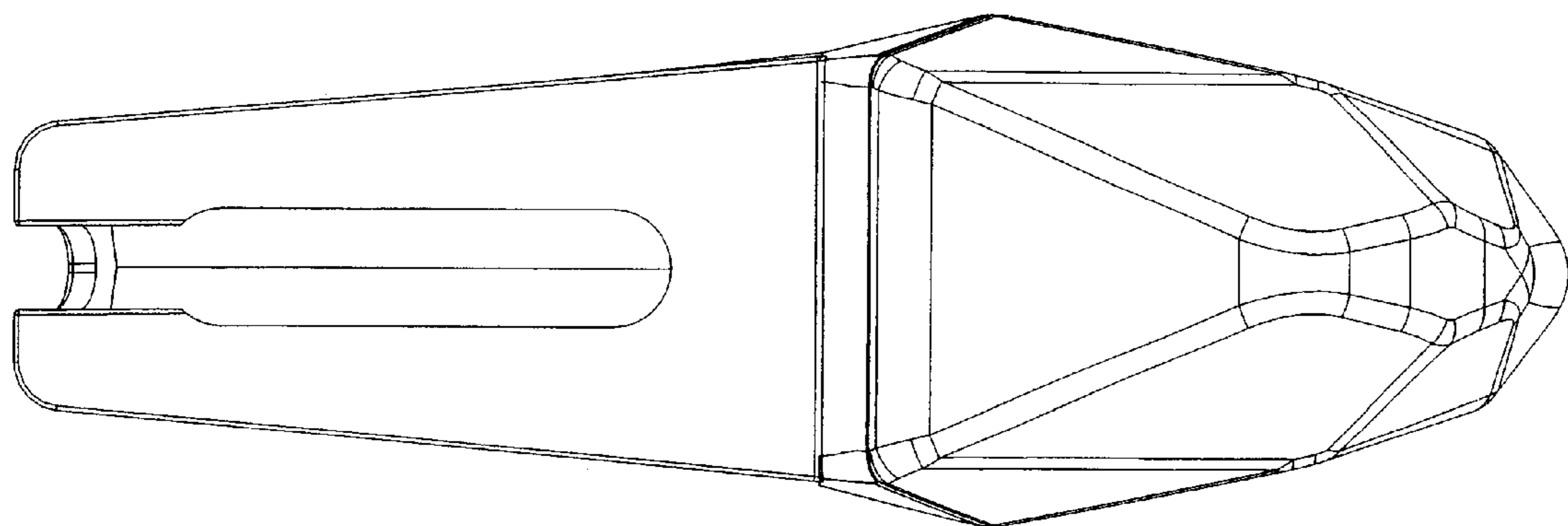


Fig. 3

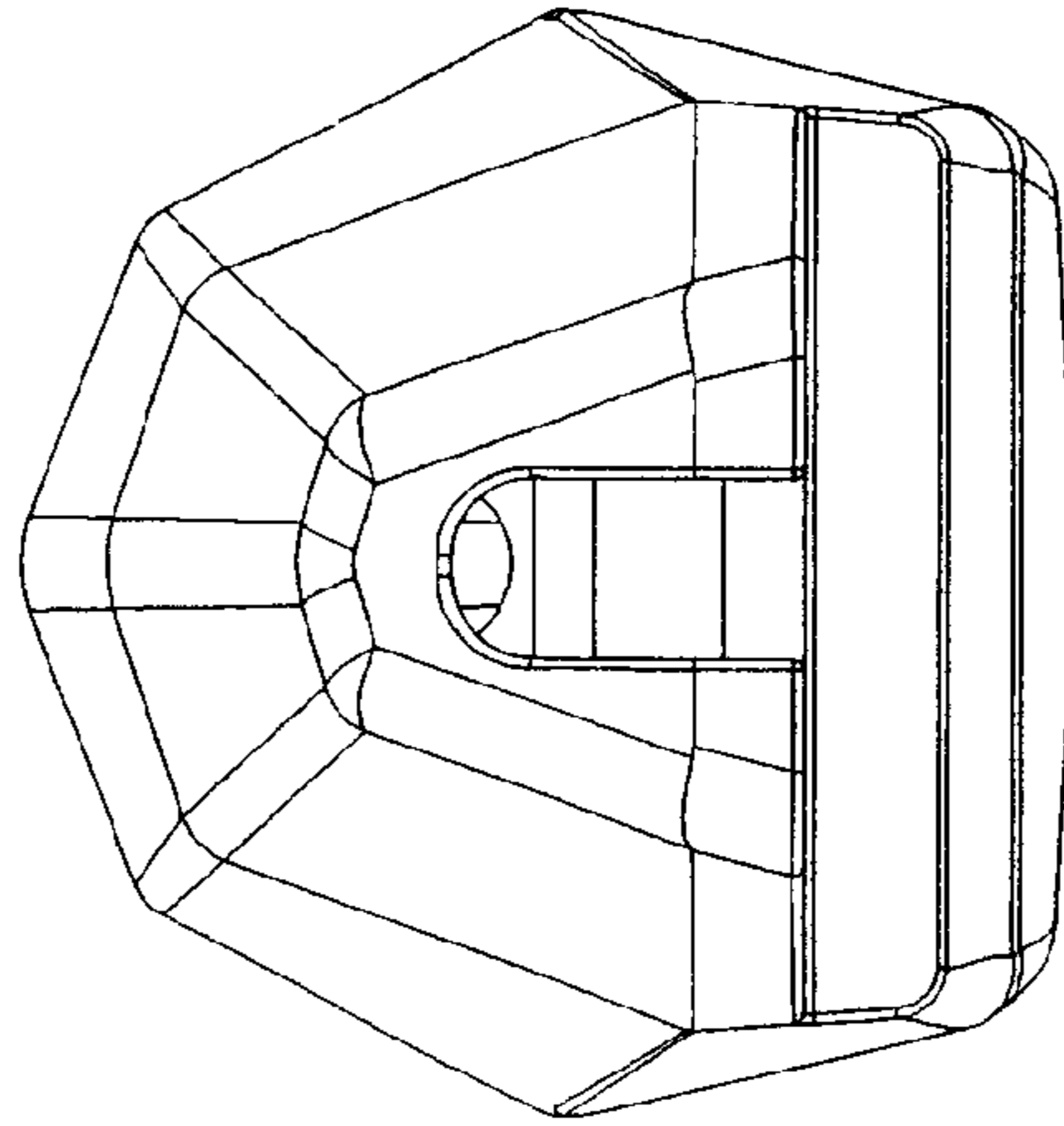


Fig. 4

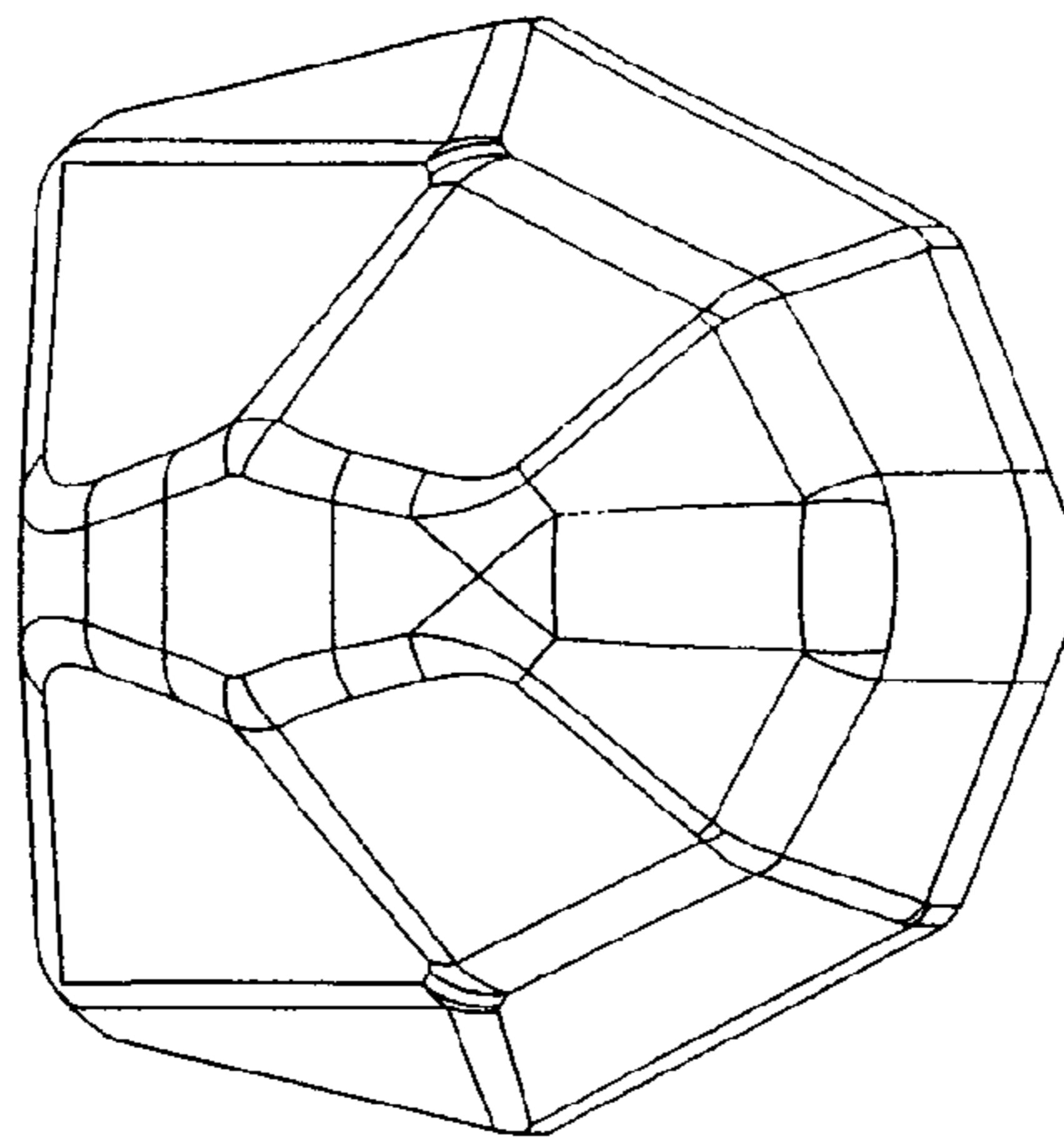


Fig. 5

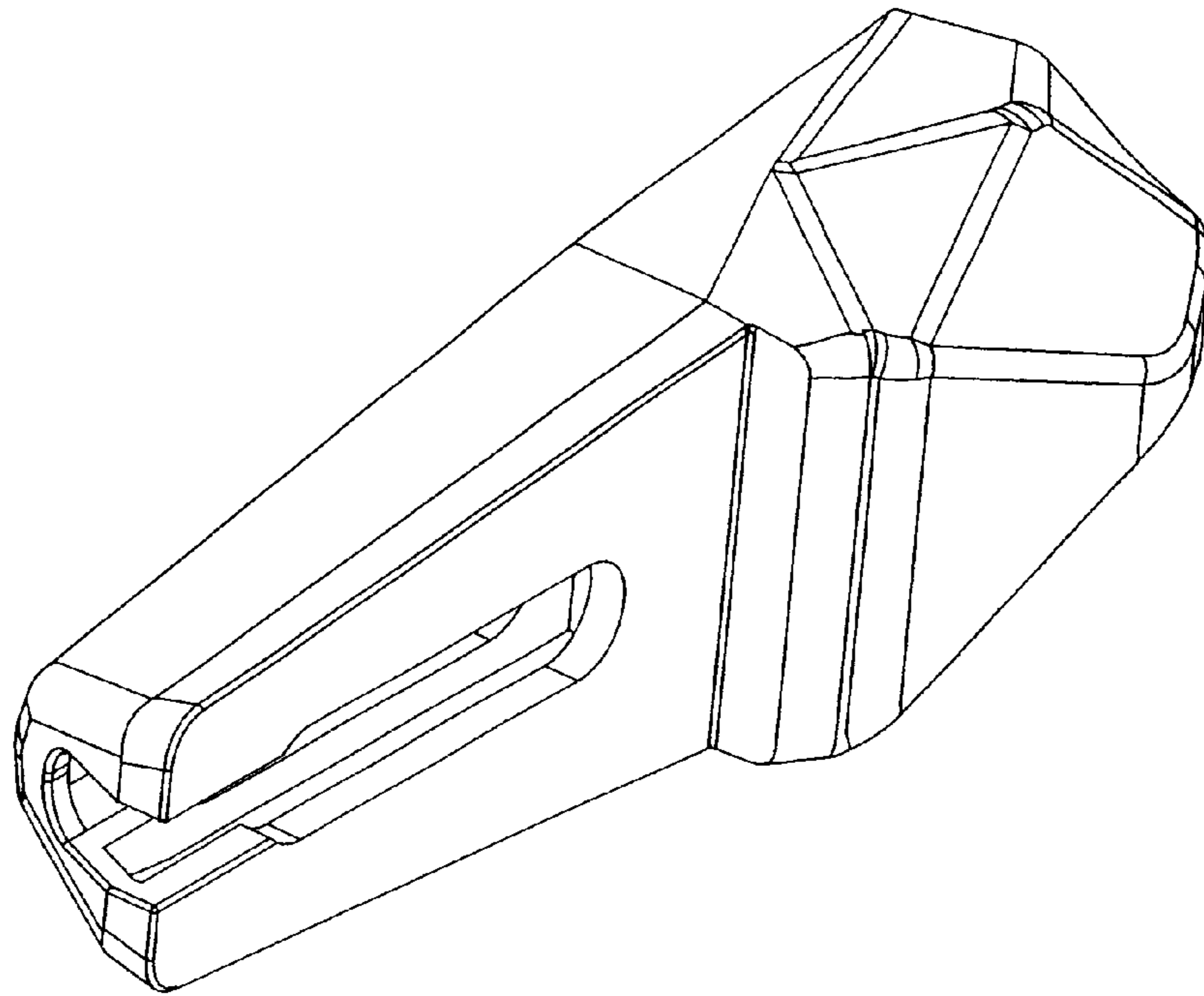


Fig. 6

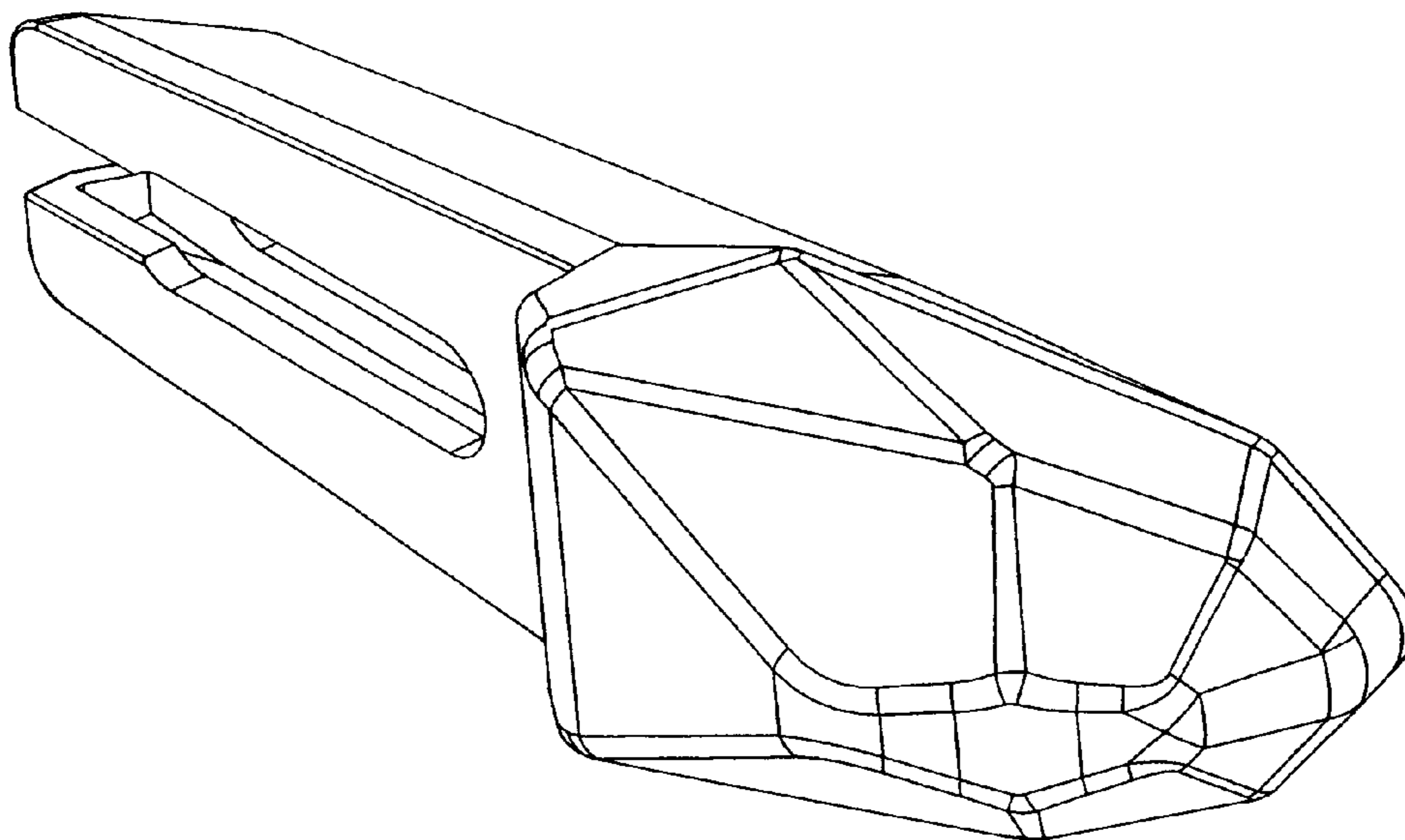


Fig. 7