



US00D518197S

(12) **United States Design Patent**
Osawa

(10) **Patent No.:** **US D518,197 S**
(45) **Date of Patent:** **** Mar. 28, 2006**

(54) **FRONT COMBINATION LAMP FOR AN
AUTOMOBILE**

D472,656 S * 4/2003 Pfeiffer et al. D26/28
D501,265 S * 1/2005 Lin D26/28
D506,558 S * 6/2005 Lin D26/28

(75) Inventor: **Hiroshi Osawa**, Wako (JP)

* cited by examiner

(73) Assignee: **Honda Motor Co., Ltd.**, Tokyo (JP)

Primary Examiner—Marcus A. Jackson

(**) Term: **14 Years**

(74) *Attorney, Agent, or Firm*—Sughrue Mion, PLLC

(21) Appl. No.: **29/221,247**

(57) **CLAIM**

(22) Filed: **Jan. 14, 2005**

The ornamental design for a front combination lamp for an automobile, as shown and described.

(30) **Foreign Application Priority Data**

DESCRIPTION

Jul. 21, 2004 (JP) 2004-021877

(51) **LOC (8) Cl.** **26-06**

FIG. 1 is a perspective view of the top, front and right side of a front combination lamp for an automobile showing my new design;

(52) **U.S. Cl.** **D26/28**

FIG. 2 is a front elevational view thereof;

(58) **Field of Classification Search** D26/28-36;

FIG. 3 is a top plan view thereof; and,

362/459-468, 475-478, 485-487

FIG. 4 is a right side elevational view thereof.

See application file for complete search history.

The elements shown in broken lines are for illustrative purposes only and form no part of the claimed design.

(56) **References Cited**

U.S. PATENT DOCUMENTS

D470,954 S * 2/2003 Isayama et al. D26/28

1 Claim, 4 Drawing Sheets

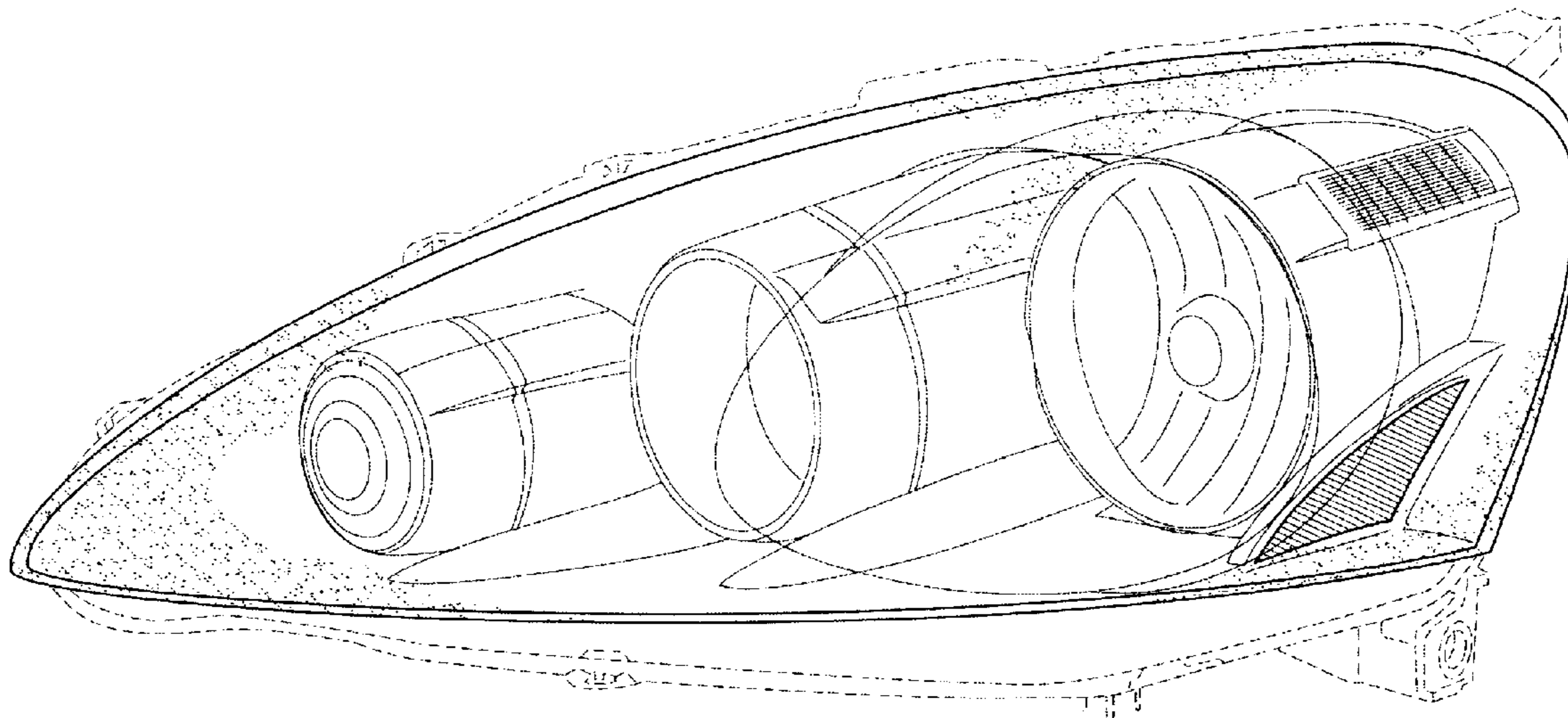


FIG. 1

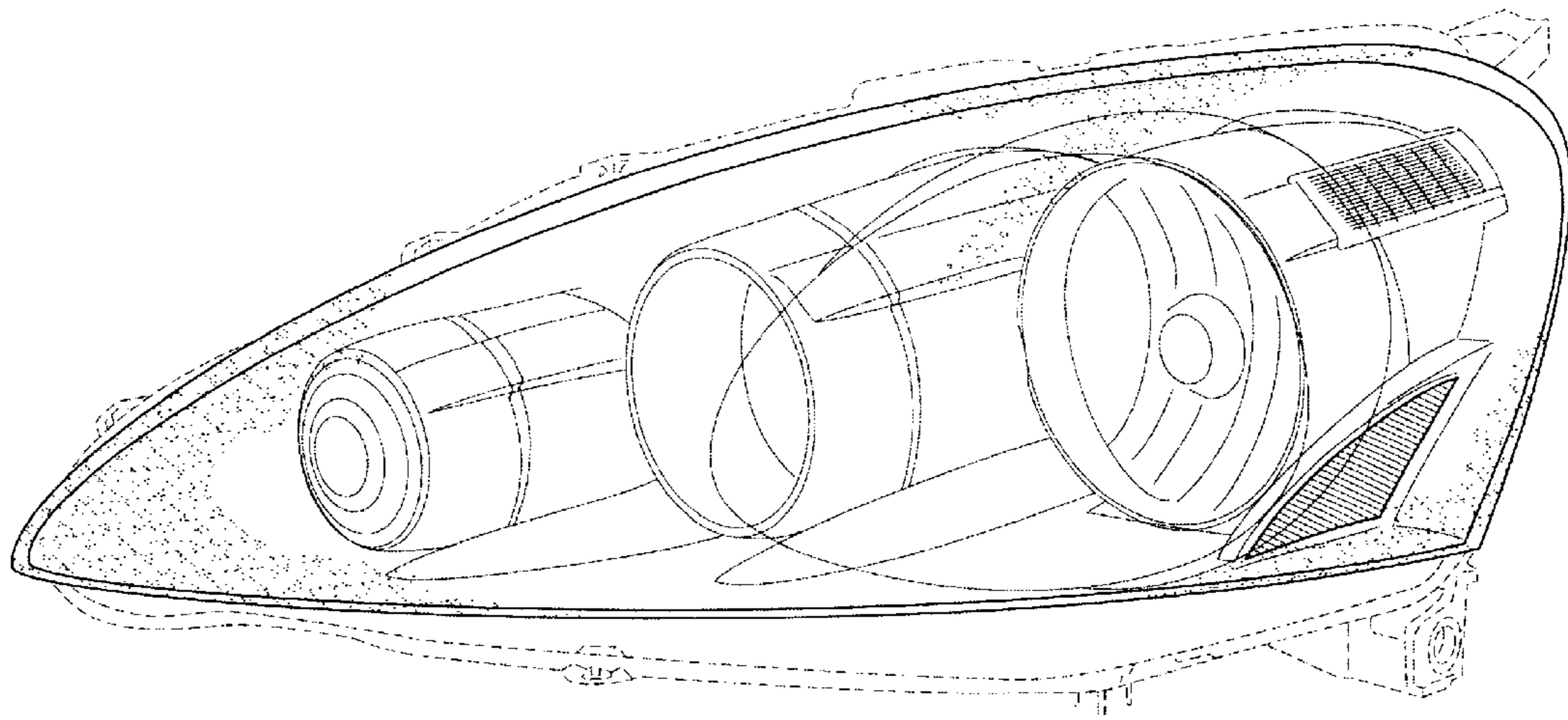


FIG. 2

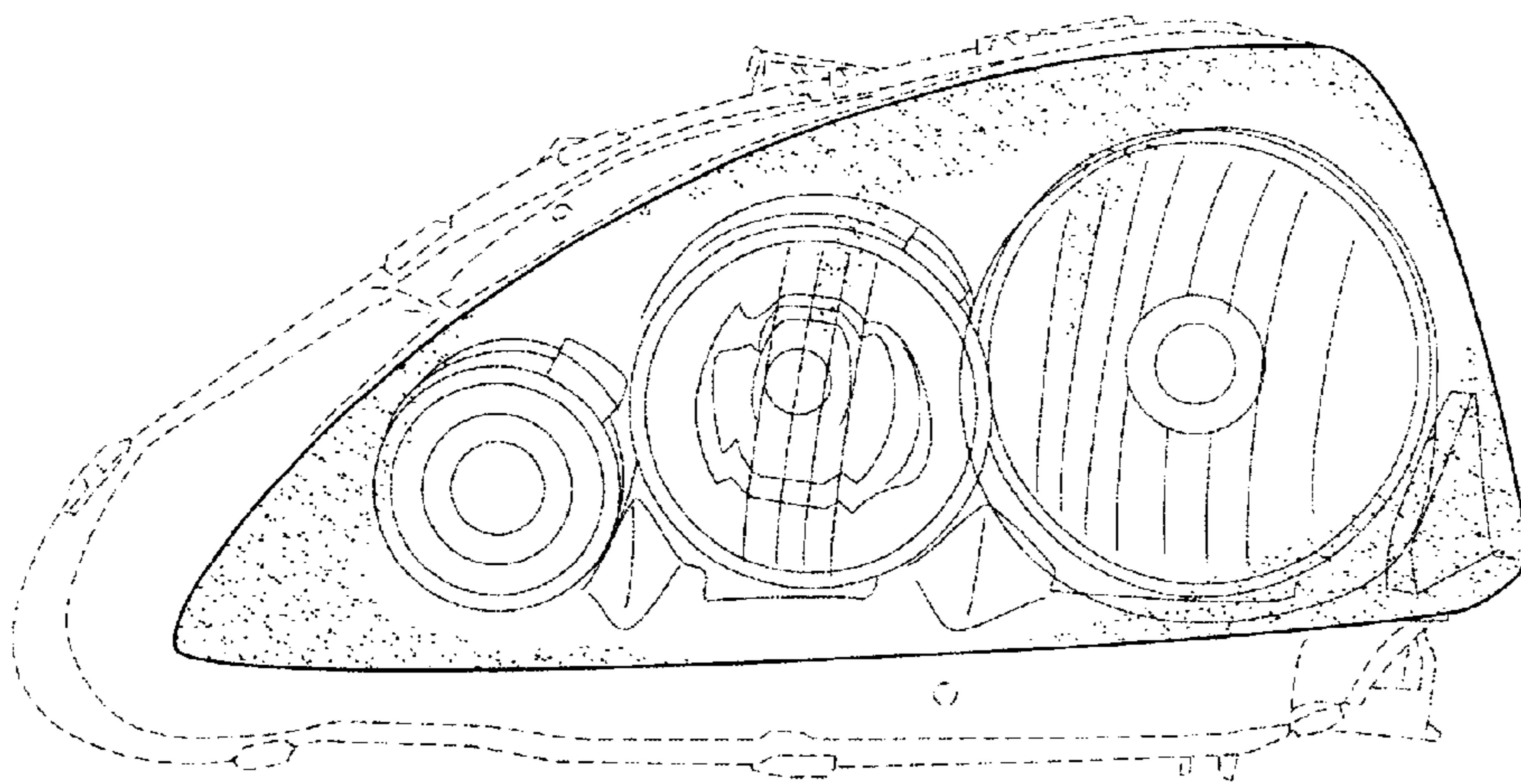


FIG. 3

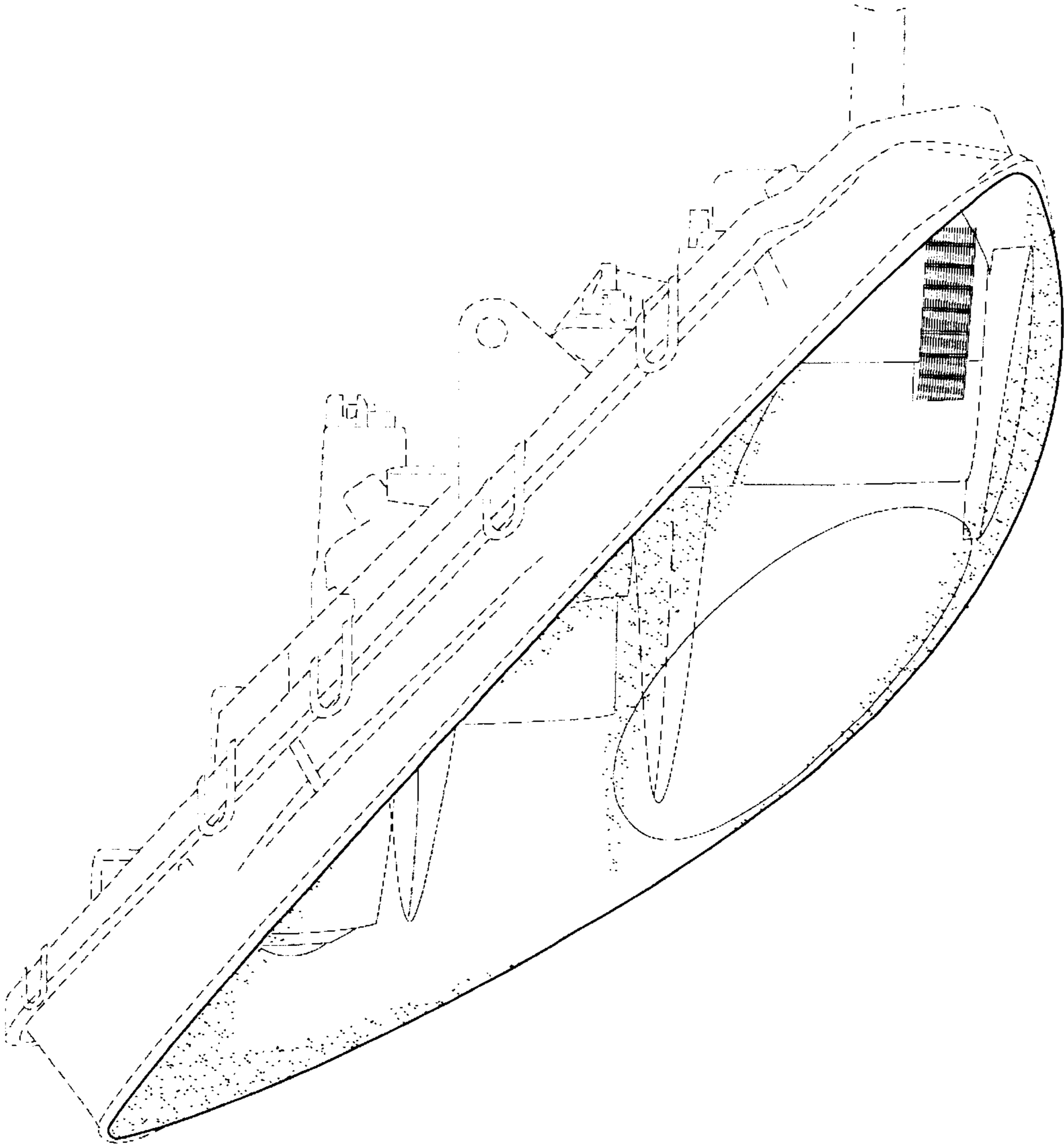


FIG. 4

