



US00D518195S

(12) **United States Design Patent**
O'Connell

(10) **Patent No.:** **US D518,195 S**

(45) **Date of Patent:** **** Mar. 28, 2006**

(54) **HEADLAMP**

(75) Inventor: **David O'Connell**, Huntington Beach,
CA (US)

(73) Assignee: **Mitsubishi Jidosha Kogyo Kabushiki**
Kaisha, Tokyo (JP)

(**) Term: **14 Years**

(21) Appl. No.: **29/220,795**

(22) Filed: **Jan. 7, 2005**

(51) **LOC (8) Cl.** **26-06**

(52) **U.S. Cl.** **D26/28**

(58) **Field of Classification Search** D26/28-36;
362/459-468, 475-478, 485-487

See application file for complete search history.

(56) **References Cited**

U.S. PATENT DOCUMENTS

D487,320 S	*	3/2004	Huang	D26/28
D503,004 S	*	3/2005	Jiao et al.	D26/28
D507,363 S	*	7/2005	Lai	D26/28

* cited by examiner

Primary Examiner—Marcus A. Jackson

(74) *Attorney, Agent, or Firm*—Birch, Stewart, Kolasch &
Birch, LLP

(57) **CLAIM**

The ornamental design for a headlamp, as shown and
described.

DESCRIPTION

FIG. 1 is a front view of a headlamp constructed according
to my novel design;

FIG. 2 is a right side view thereof;

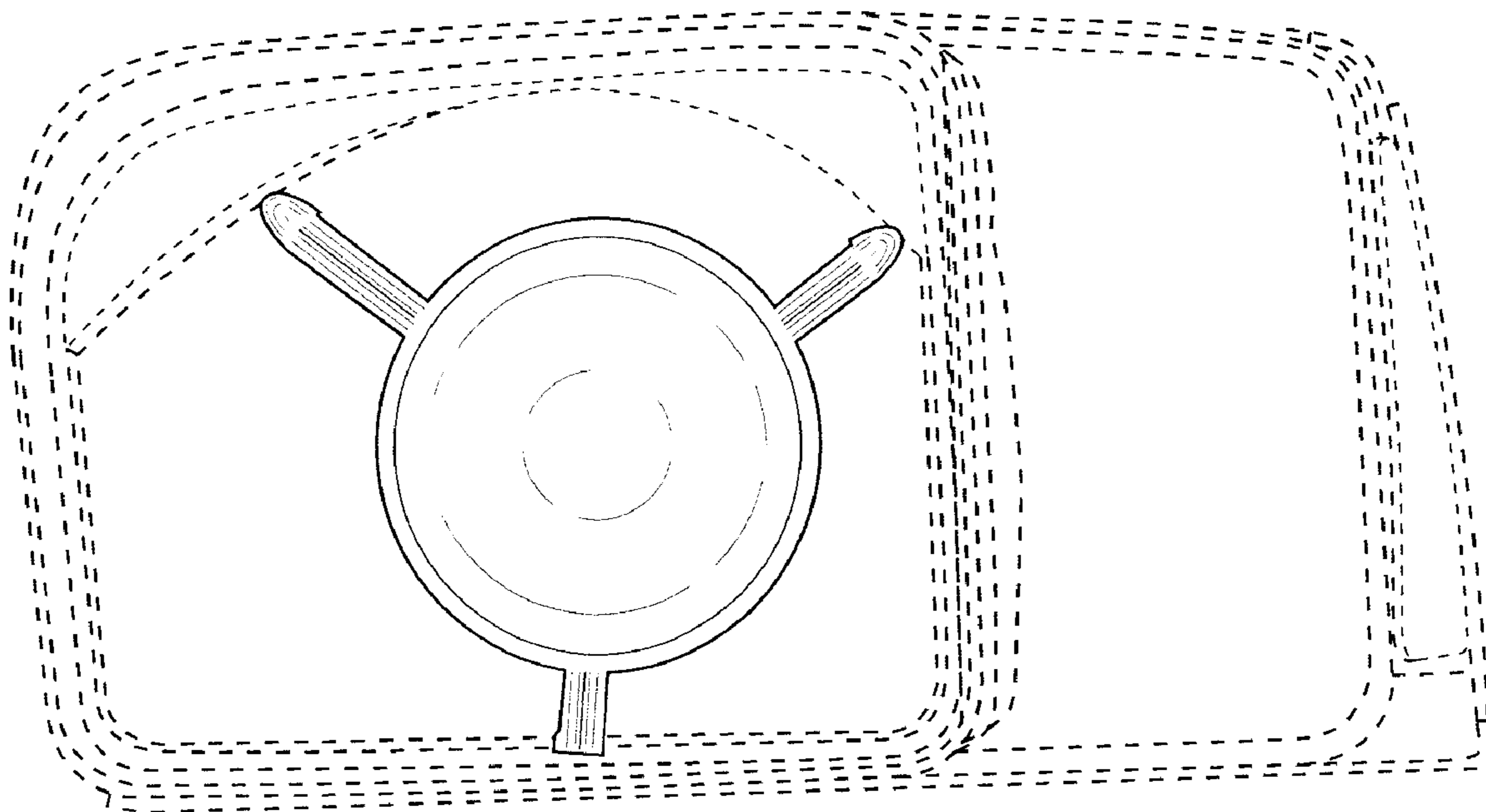
FIG. 3 is a plan view thereof; and,

FIG. 4 is a front right elevation perspective view thereof.

The headlamp design shown in FIGS. 1-4 are for the right
side of a vehicle viewed when facing the front end of the
vehicle. Drawings for a headlamp for the left side of the
vehicle have been omitted because they are symmetrical to
the headlamp for the right side.

The broken lines showing of environment structure in FIGS.
1-4 are for illustrative purposes only and form no part of the
claimed design.

1 Claim, 4 Drawing Sheets



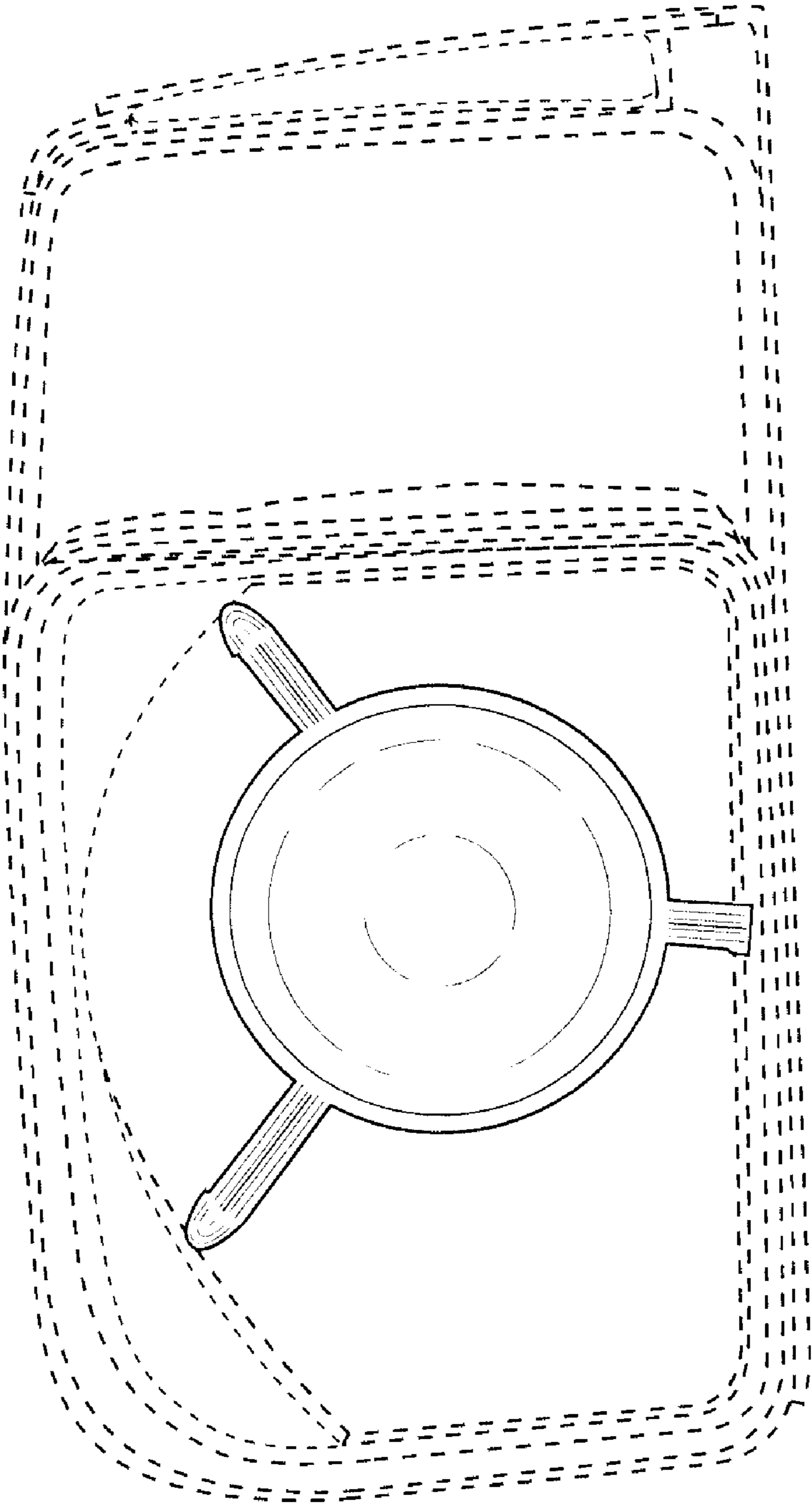


FIG. 1

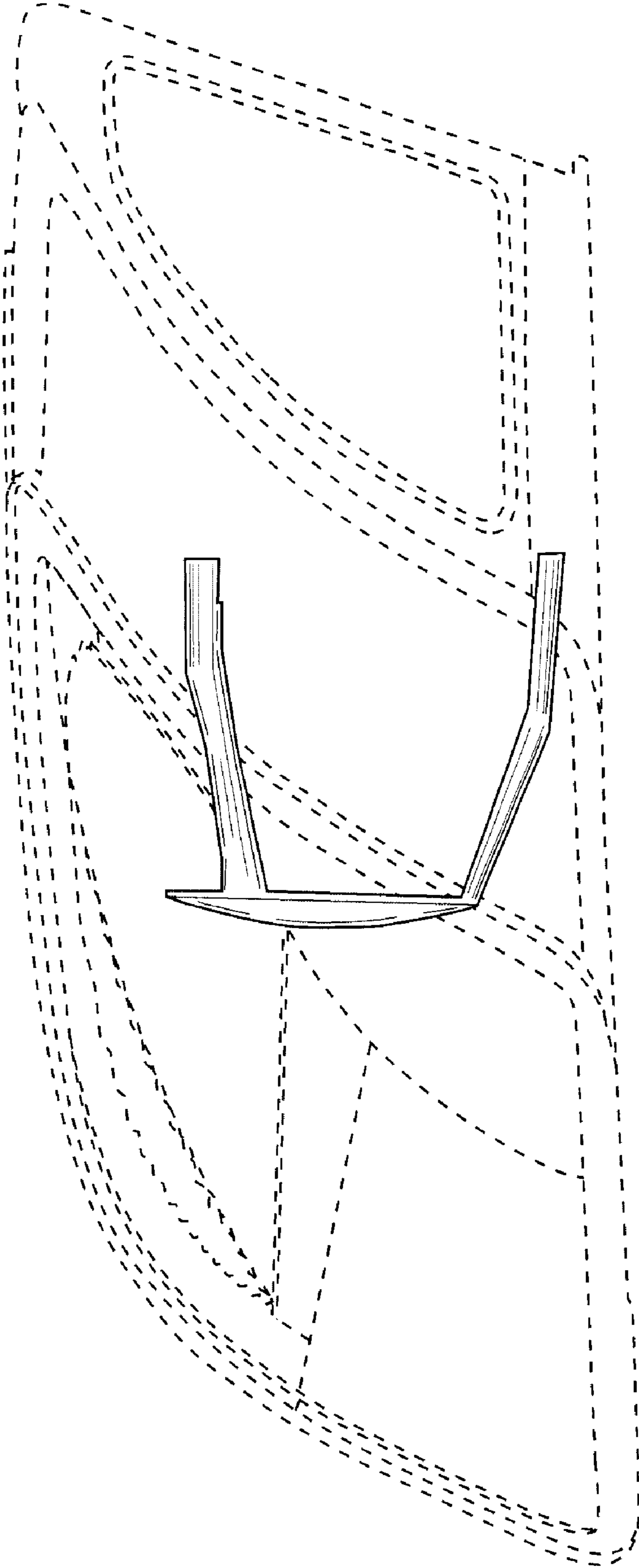


FIG. 2

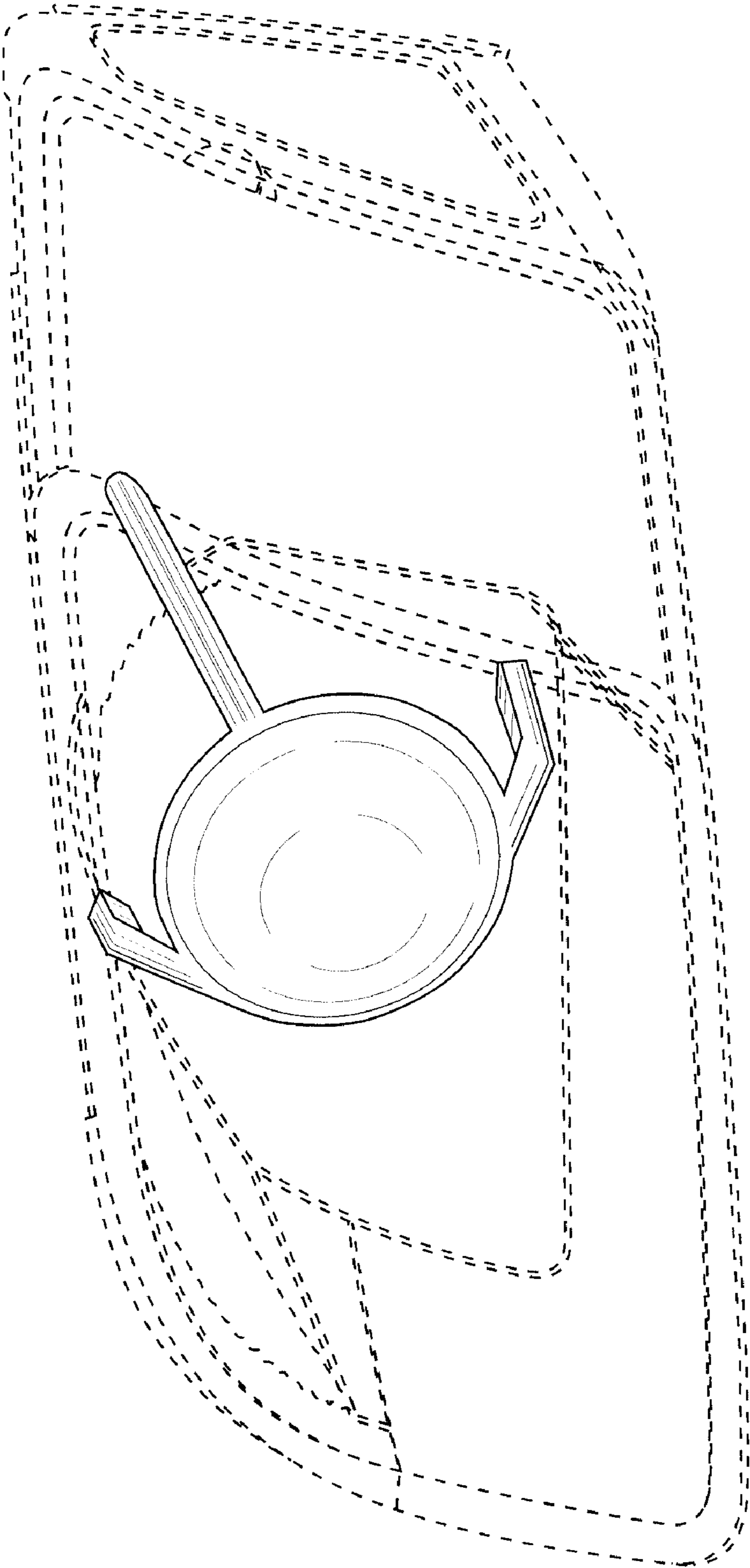


FIG. 3

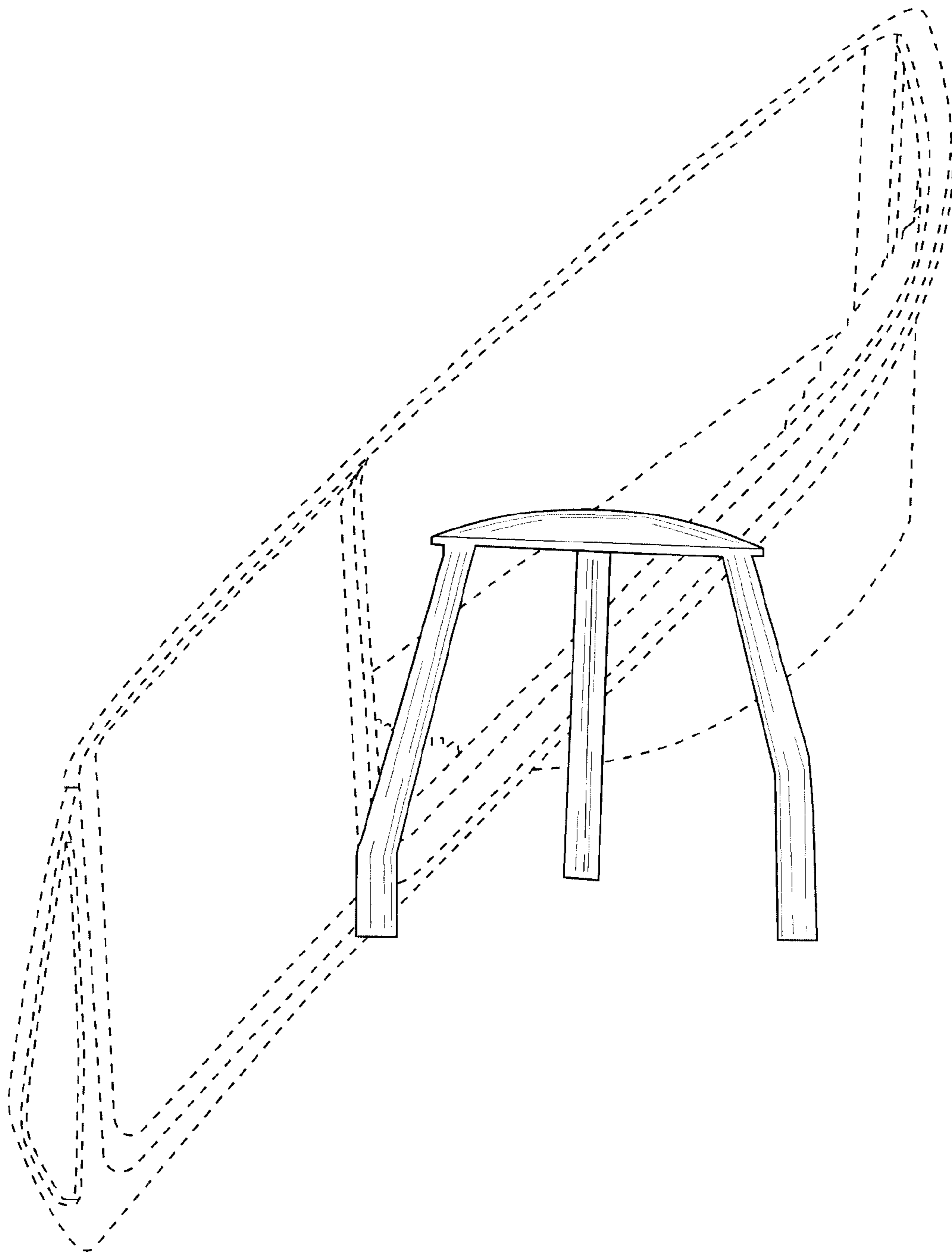


FIG. 4