



US00D518190S

(12) **United States Design Patent**
Smith

(10) **Patent No.:** **US D518,190 S**

(45) **Date of Patent:** **** Mar. 28, 2006**

(54) **SOLAR POST CAP**

D460,570 S * 7/2002 Grant D25/135
6,662,515 B1 * 12/2003 Buhrts et al. 52/301

(75) Inventor: **Dana Smith**, Kingfield, ME (US)

* cited by examiner

(73) Assignee: **Maine Ornamental Woodworkers, Inc.**, Eliot, ME (US)

Primary Examiner—Doris Clark

(74) *Attorney, Agent, or Firm*—Jensen & Puntigam PS

(**) Term: **14 Years**

(57) **CLAIM**

(21) Appl. No.: **29/217,379**

The ornamental design for a solar post cap, as shown and described.

(22) Filed: **Nov. 16, 2004**

DESCRIPTION

(51) **LOC (8) Cl.** **25-01**

(52) **U.S. Cl.** **D25/135**

(58) **Field of Classification Search** D25/135;
52/300; 256/65.01

See application file for complete search history.

FIG. 1 is an isometric view of a solar post cap, incorporating my new design;

FIG. 2 is a side elevational view of a solar post cap, incorporating my new design;

FIG. 3 is a top plan view of a solar post cap, incorporating my new design; and,

FIG. 4 is a bottom plan view of a solar post cap, incorporating my new design.

(56) **References Cited**

U.S. PATENT DOCUMENTS

D451,614 S * 12/2001 Merrick D25/135

1 Claim, 2 Drawing Sheets

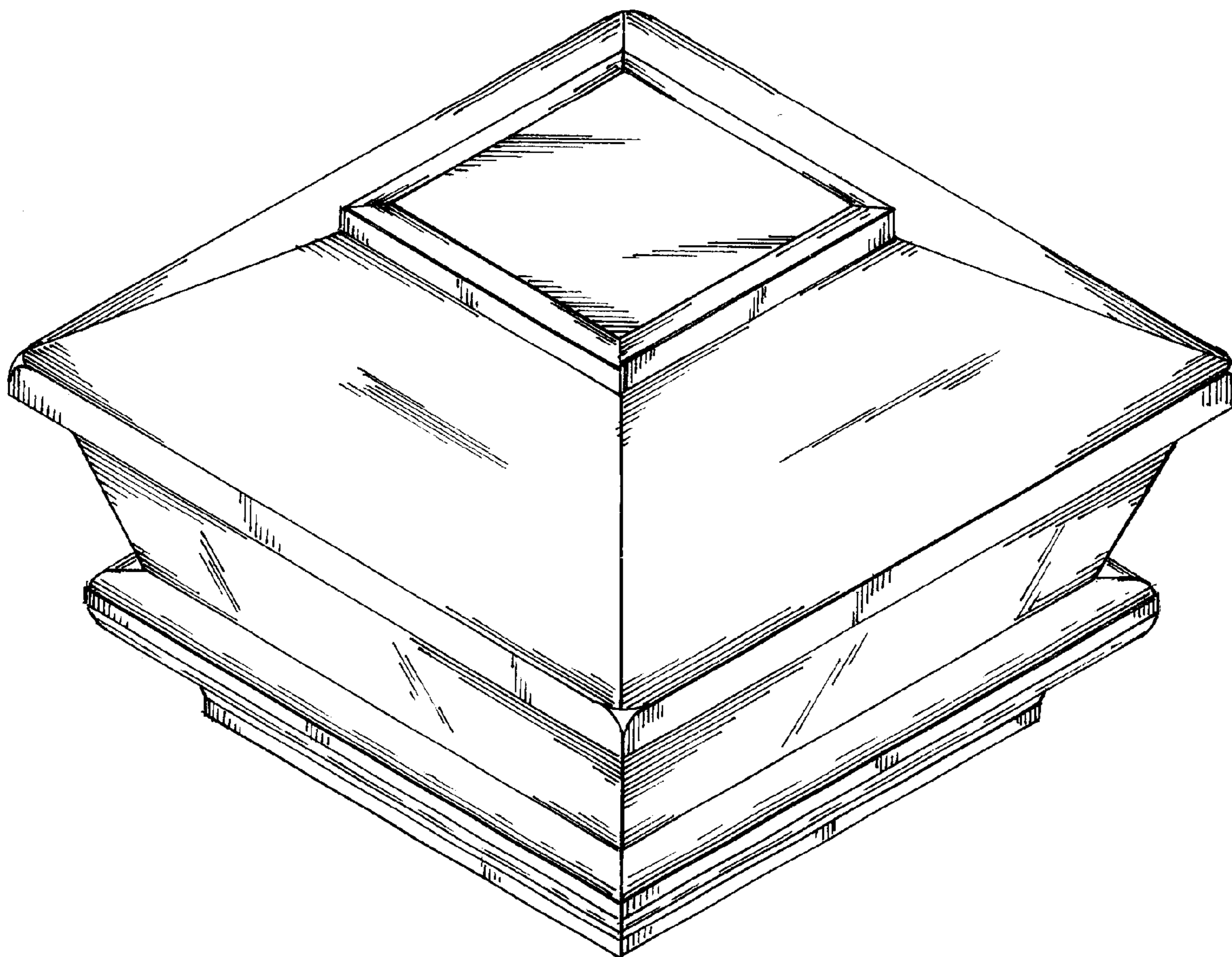


FIG. 1

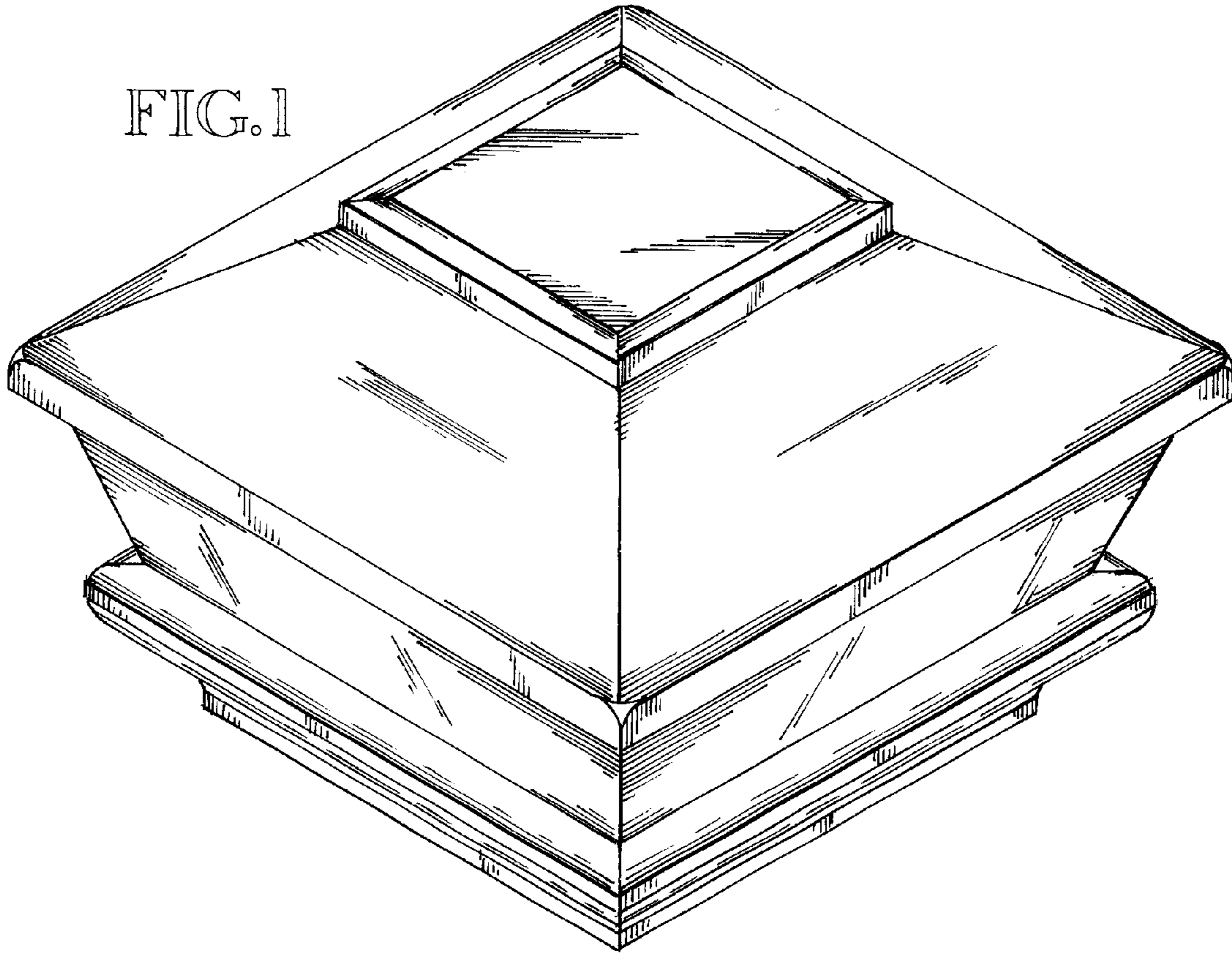
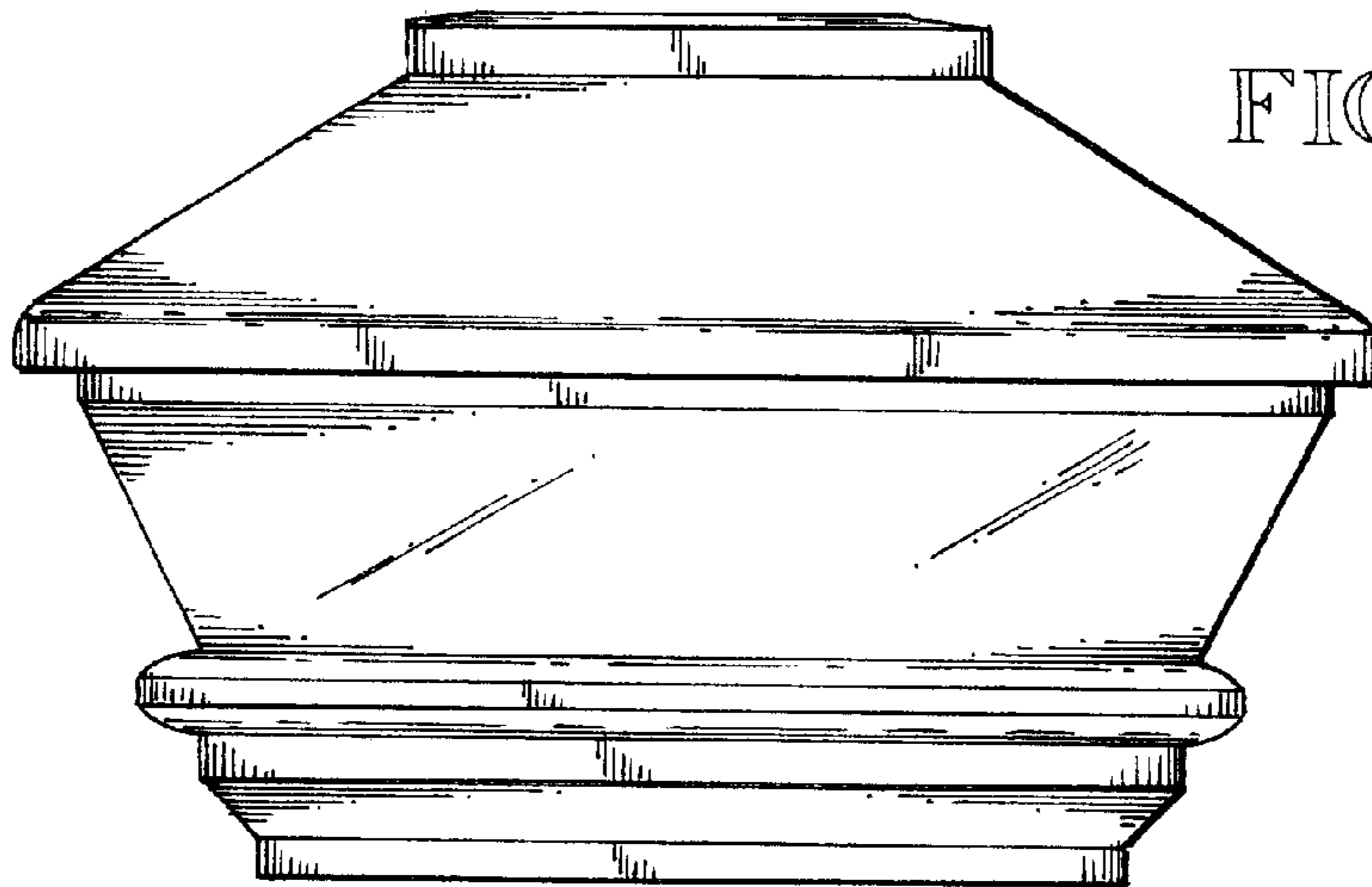


FIG. 2



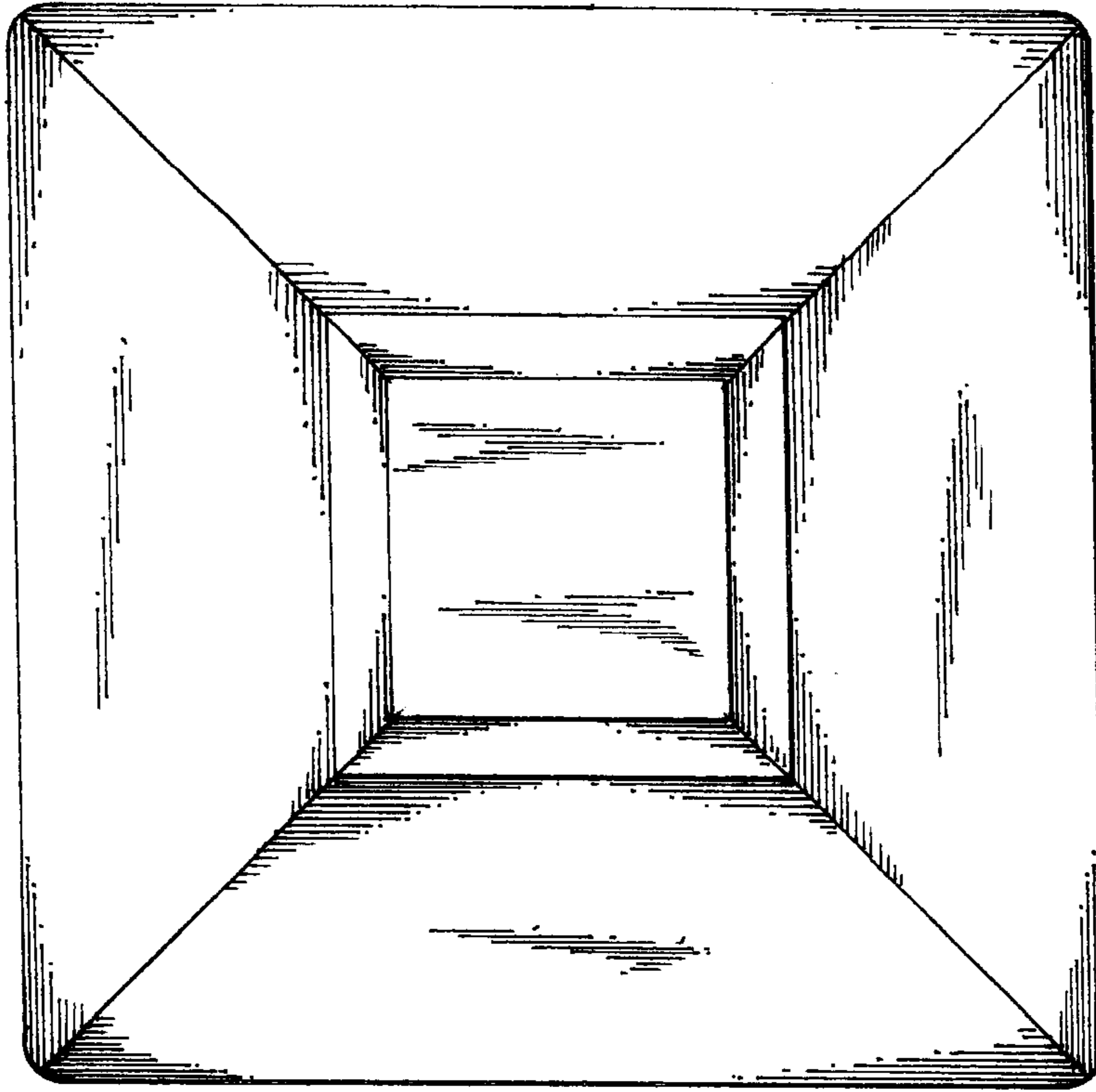


FIG. 3

FIG. 4

