



US00D518186S

(12) **United States Design Patent** (10) **Patent No.:** **US D518,186 S**
Zarb (45) **Date of Patent:** **** Mar. 28, 2006**

(54) **TRIM SYSTEMS COMPONENT FOR BUILDING STRUCTURES**

(75) Inventor: **Joseph Emmanuel Zarb**, Bonnyrigg Heights (AU)

(73) Assignee: **James Hardie International Finance B.V.** (NL)

(**) Term: **14 Years**

AU	103840 S	5/1989
AU	104552 S	8/1989
AU	108078 S	7/1990
AU	110320 S	2/1991
AU	B-7620/91	6/1992
AU	117138 S	5/1993
AU	118448 S	10/1993
AU	118862 S	11/1993
AU	122634 S	2/1995
AU	123141 S	4/1995

(Continued)

(21) Appl. No.: **29/219,603**

(22) Filed: **Dec. 17, 2004**

(30) **Foreign Application Priority Data**

Jun. 17, 2004 (AU) 13008/2004

(51) **LOC (8) Cl.** **25-01**

(52) **U.S. Cl.** **D25/119**

(58) **Field of Classification Search** D25/119, D25/61, 136, 35; 52/716.1, 290, 287.1, 288.1, 52/11, 12, 13, 14, 15, 16, 22; D23/267
See application file for complete search history.

(56) **References Cited**

U.S. PATENT DOCUMENTS

4,876,827	A	*	10/1989	Williams	52/12
4,969,250	A		11/1990	Hickman et al.		
5,067,675	A	*	11/1991	Brant	248/48.2
D322,678	S		12/1991	Brathwaite		
5,297,370	A		3/1994	Greenstreet et al.		
D388,884	S		1/1998	Karnoski		
5,802,790	A		9/1998	Lamont et al.		
D489,137	S		4/2004	Eichner et al.		
D489,463	S		5/2004	Barnett		
D492,424	S		6/2004	Barnett		

FOREIGN PATENT DOCUMENTS

AU	88589/82	A1	3/1983
AU	94035	S	11/1986
AU	95878	S	3/1987
AU	98800	S	12/1987
AU	99683	S	2/1988
AU	102662	S	1/1989

OTHER PUBLICATIONS

Australian Search Report; dated Jul. 6, 2004; Application No. 2004903567.

International Search Report; dated Feb. 11, 2005; International Application No. PCT/AU2004/001672.

First Examination Report; dated Feb. 15, 2005; Australian Innovation Patent No. 2004101018.

Australian Patent and Design Infringement Search Results in respect of the pre-finished eave system concept.

New Zealand Patent and Design Infringement search results in respect of the pre-finished eave system concept.

Primary Examiner—Doris Clark

(74) *Attorney, Agent, or Firm*—Knobbe, Martens Olson & Bear LLP

(57) **CLAIM**

The ornamental design for a trim systems component for building structures, as shown and described.

DESCRIPTION

FIG. 1 is a perspective view of the trim systems component for building structures of the present design;

FIG. 2 is a front end view thereof;

FIG. 3 is a right side view thereof;

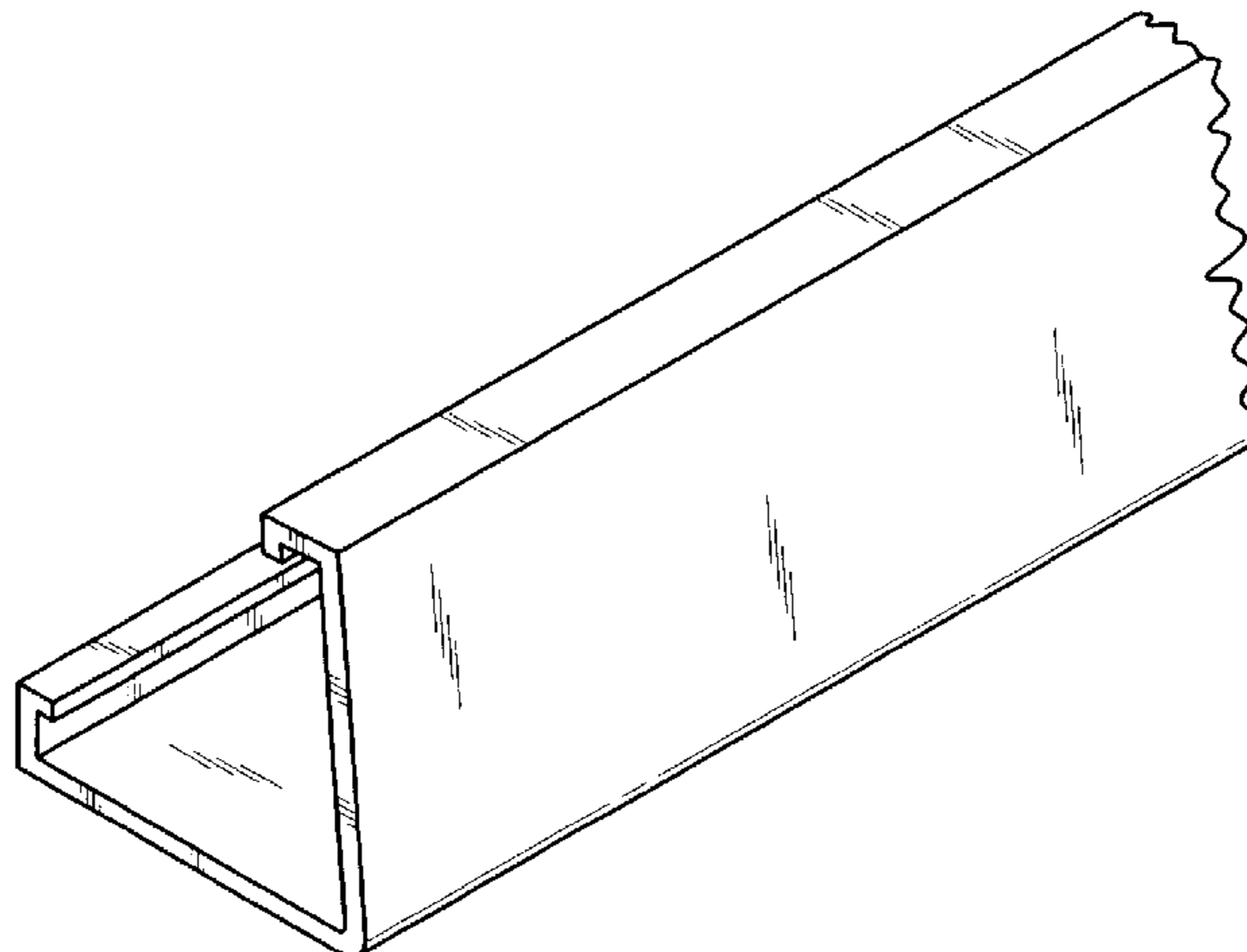
FIG. 4 is a left side view thereof;

FIG. 5 is a top view thereof; and,

FIG. 6 is a bottom view thereof.

The trim systems component for building structures has been broken on the end indicating indefinite length.

1 Claim, 3 Drawing Sheets



FOREIGN PATENT DOCUMENTS					
			NZ	19354	9/1984
			NZ	211265	2/1985
AU	123142 S	4/1995	NZ	20119	10/1985
AU	A-52126/96	11/1996	NZ	20120	10/1985
AU	130941 S	8/1997	NZ	20844	11/1986
AU	132812 S	2/1998	NZ	218315	2/1987
AU	135097 S	9/1998	NZ	21875	4/1988
AU	13557 S	11/1998	NZ	22705	7/1989
AU	137291 S	5/1999	NZ	240533	11/1991
AU	137791 S	7/1999	NZ	242960	5/1992
AU	140607 S	5/2000	NZ	25267	6/1993
AU	147568 S	4/2002	NZ	248942	10/1993
AU	148485 S	7/2002	NZ	25838	4/1994
AU	2002301511 A1	6/2003	NZ	26065	7/1994
AU	152915 S	8/2003	NZ	26066	7/1994
AU	153491 S	10/2003	NZ	306382	5/1996
AU	153493	10/2003	NZ	504881	10/1998
AU	153494 S	10/2003	NZ	334918	3/1999
AU	153495 S	10/2003	NZ	331336	10/1999
AU	153496 S	10/2003	NZ	512028	11/1999
CA	730345 A	3/1966	NZ	502004	12/1999
GB	1125825	9/1968	NZ	400643	4/2000
GB	1 269 357	4/1972	NZ	505799	7/2000
GB	2 021 186 A	11/1979	NZ	507846	10/2000
GB	2 075 079 A	11/1981	NZ	508055	11/2000
GB	2 078 611 A	1/1982	NZ	516912	1/2002
GB	2 199 857 A	7/1988	NZ	517658	3/2002
GB	2 340 071 A	2/2000	WO	WO 96/14482	5/1996
JP	08074377 A	9/1994	WO	WO 97/28342	8/1997
JP	10046741 A	8/1996	WO	WO 01/36191 A1	5/2001
JP	11241448 A	2/1998			
JP	2000154612 A	6/2000			
JP	2004027497 A	6/2002			

* cited by examiner

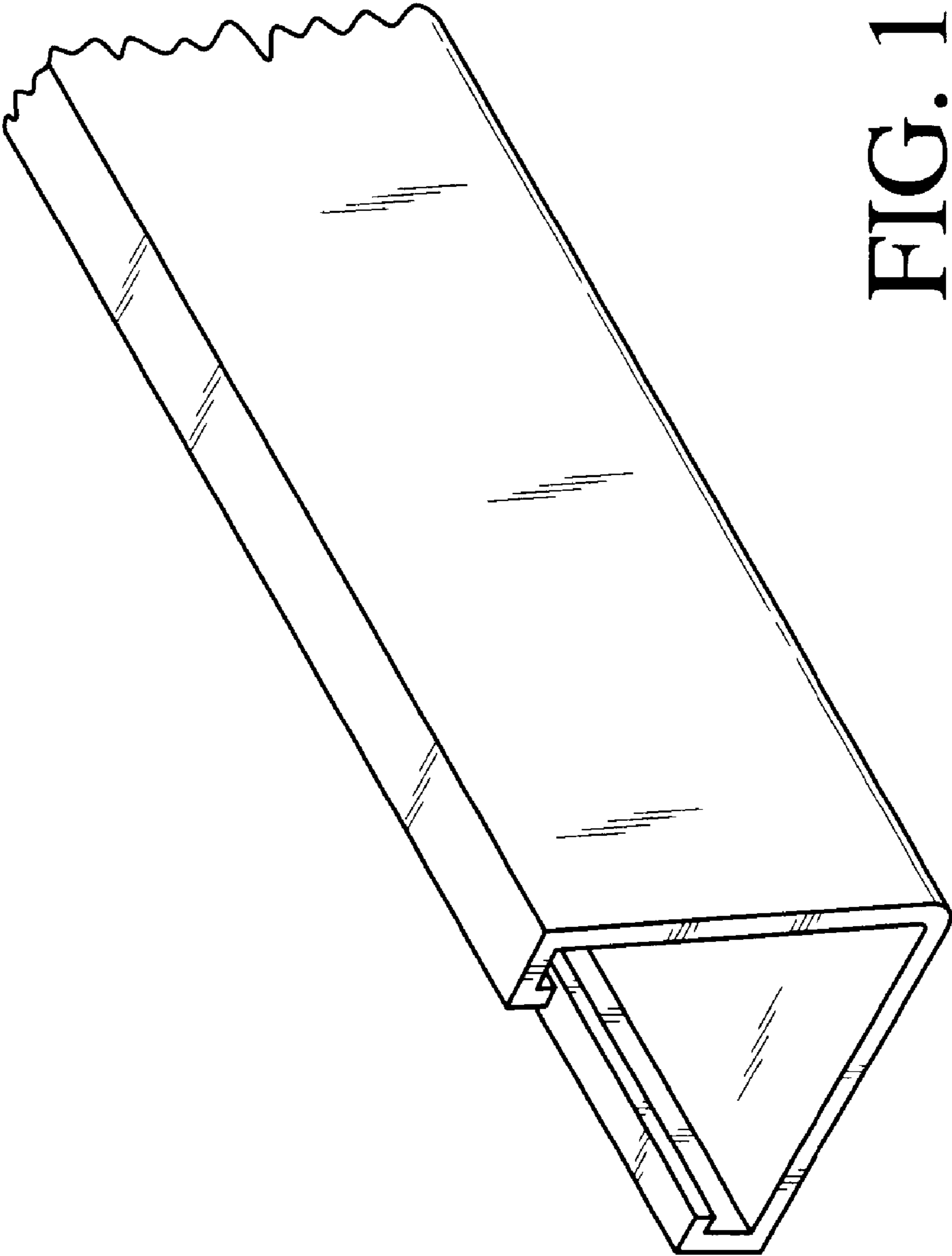


FIG. 1

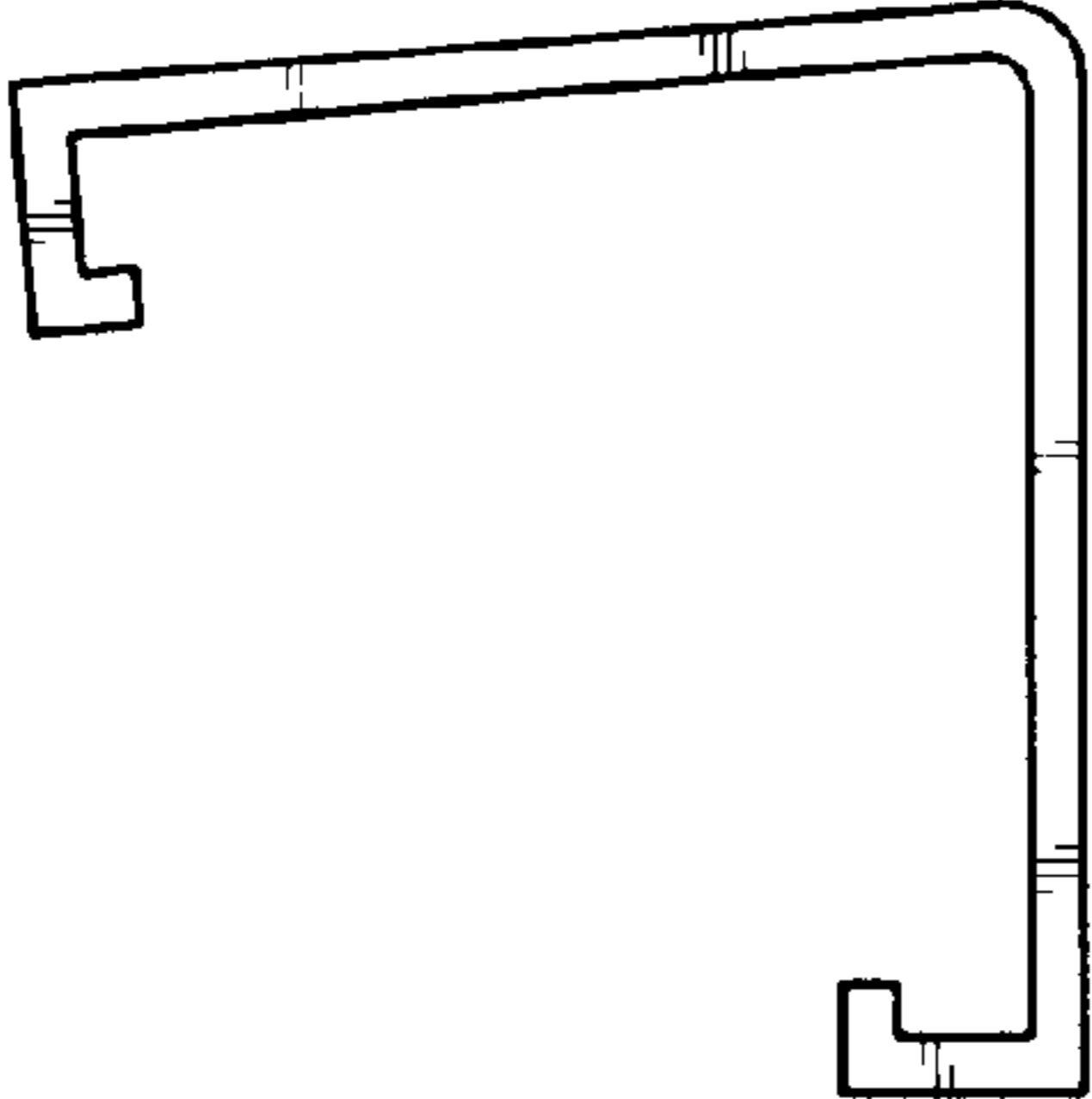


FIG. 2

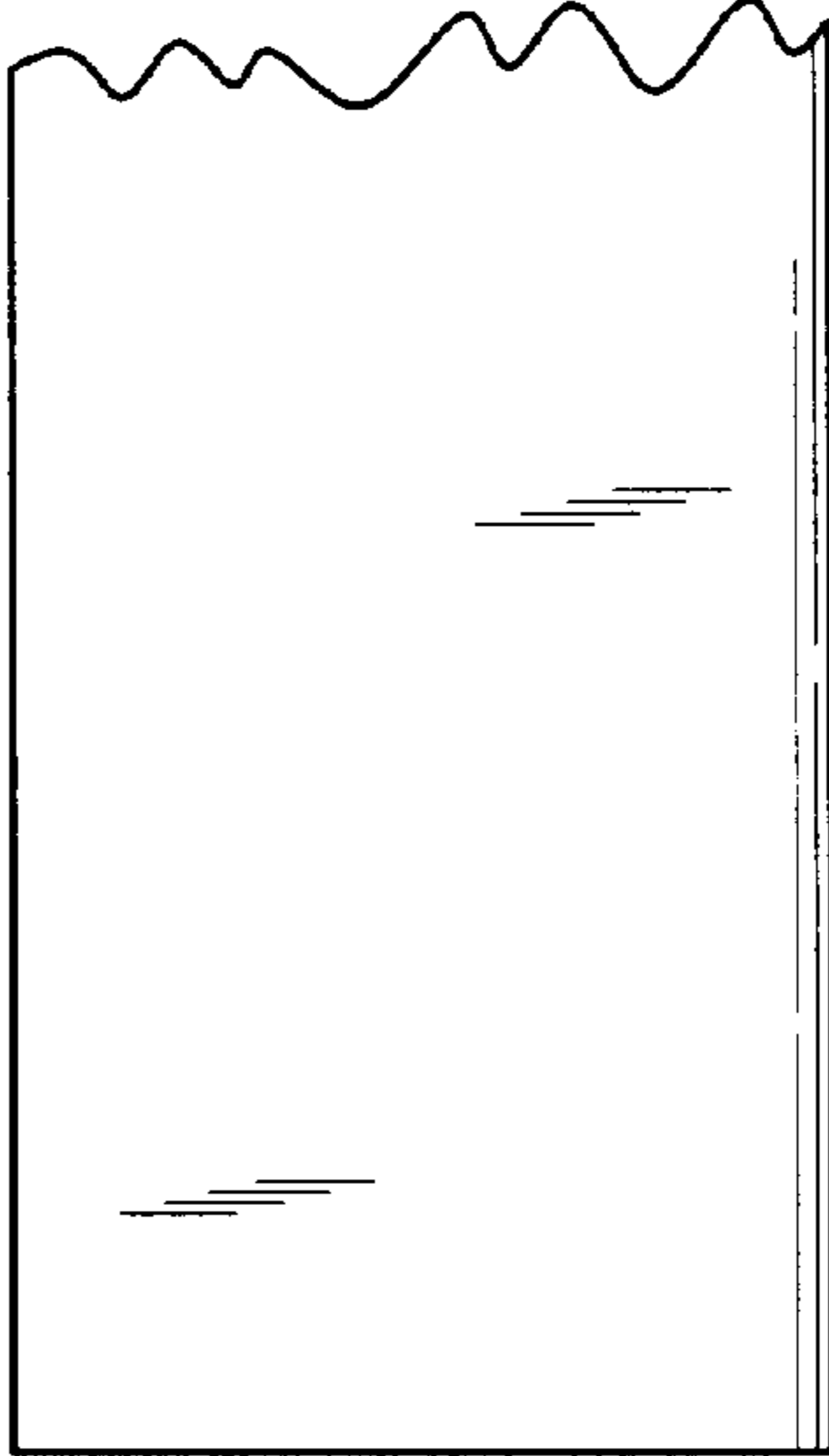


FIG. 3

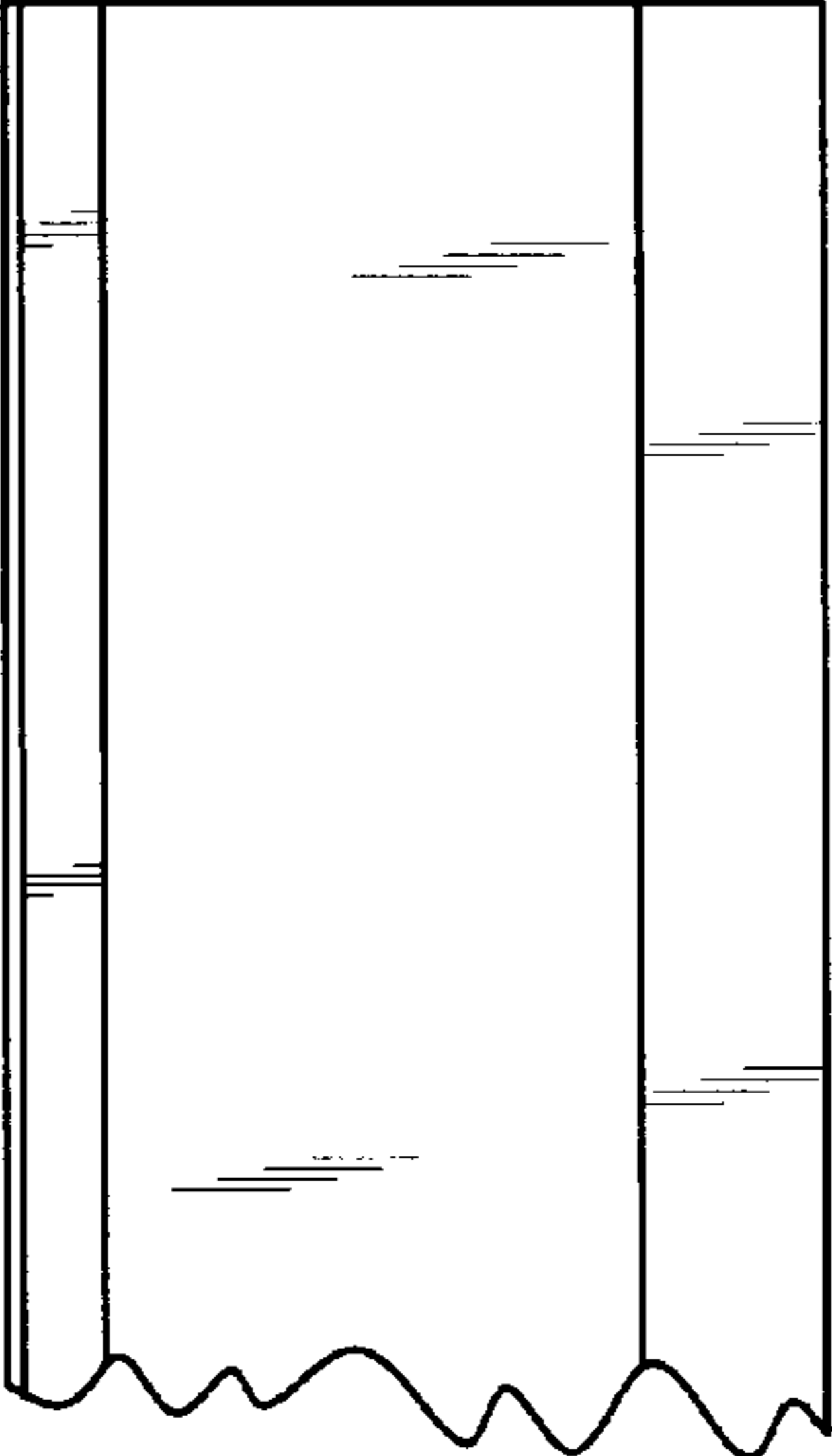


FIG. 4



FIG. 6

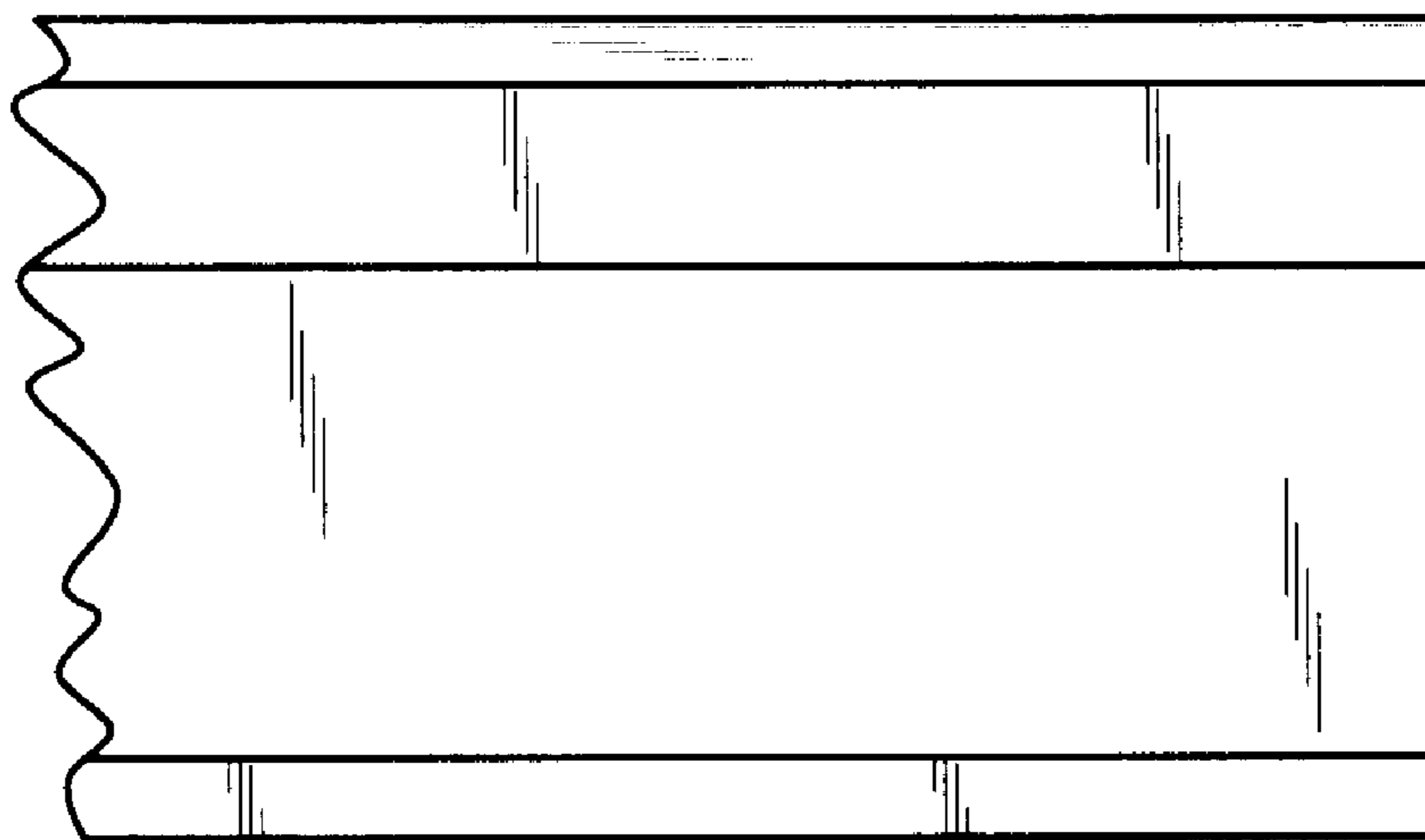


FIG. 5