



US00D518185S

(12) **United States Design Patent**
Barlett et al.

(10) **Patent No.:** **US D518,185 S**
(45) **Date of Patent:** **** Mar. 28, 2006**

(54) **DOOR EDGE WITH COVER STRIP**

(75) Inventors: **Gary F. Barlett**, Muncy, PA (US);
Wendy Duckham, Oxfordshire (GB)

(73) Assignee: **E.M.E.H., Inc.**, Lebanon, NJ (US)

(**) Term: **14 Years**

(21) Appl. No.: **29/218,741**

(22) Filed: **Dec. 7, 2004**

Related U.S. Application Data

(62) Division of application No. 29/191,911, filed on Oct. 14, 2003.

(51) **LOC (8) Cl.** **25-01**

(52) **U.S. Cl.** **D25/119**

(58) **Field of Classification Search** D25/119,
D25/199; 52/459, 461, 464, 465, 469, 471
See application file for complete search history.

(56) **References Cited**

U.S. PATENT DOCUMENTS

D323,715 S 2/1992 Bodurow et al.
D423,690 S * 4/2000 Grosfillex D25/119
6,189,273 B1 2/2001 Larson

OTHER PUBLICATIONS

“Yeoman Shield: Total Surface Protection,” Harrison Thompson & Co. Ltd., www.yeomanshield.com, Jan. 1, 2003.

“Total Surface Protection,” Harrison Thompson & Co. Ltd., www.yeomanshield.com, May 1, 2002.

* cited by examiner

Primary Examiner—Doris Clark

(74) *Attorney, Agent, or Firm*—Baker Botts L.L.P.

(57) **CLAIM**

The ornamental design of the door edge with cover strip, as shown and described.

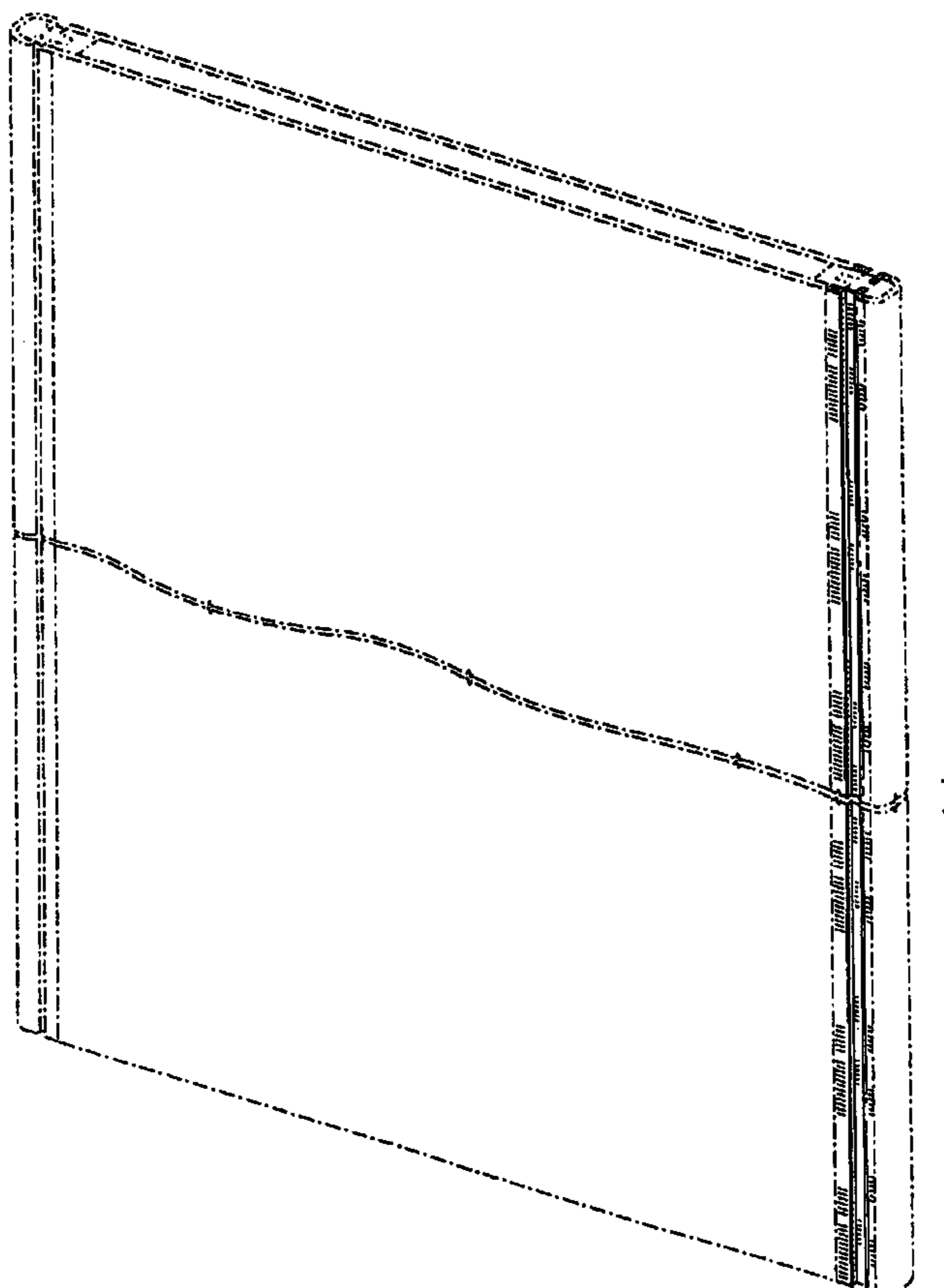
DESCRIPTION

FIG. 1 is a perspective view of a first exemplary embodiment of the door edge with cover strip showing our new design; and,

FIG. 2 is a front view of the door edge with cover strip of FIG. 1.

The broken lines are provided for illustrative purposes only, and form no part of the claimed design. In addition, the portions of the door that are not shown in the drawing do not form any part of the claimed design. Further, the full lines shown in the drawing views merely illustrate the surfaces of the design which are being claimed therein.

1 Claim, 2 Drawing Sheets



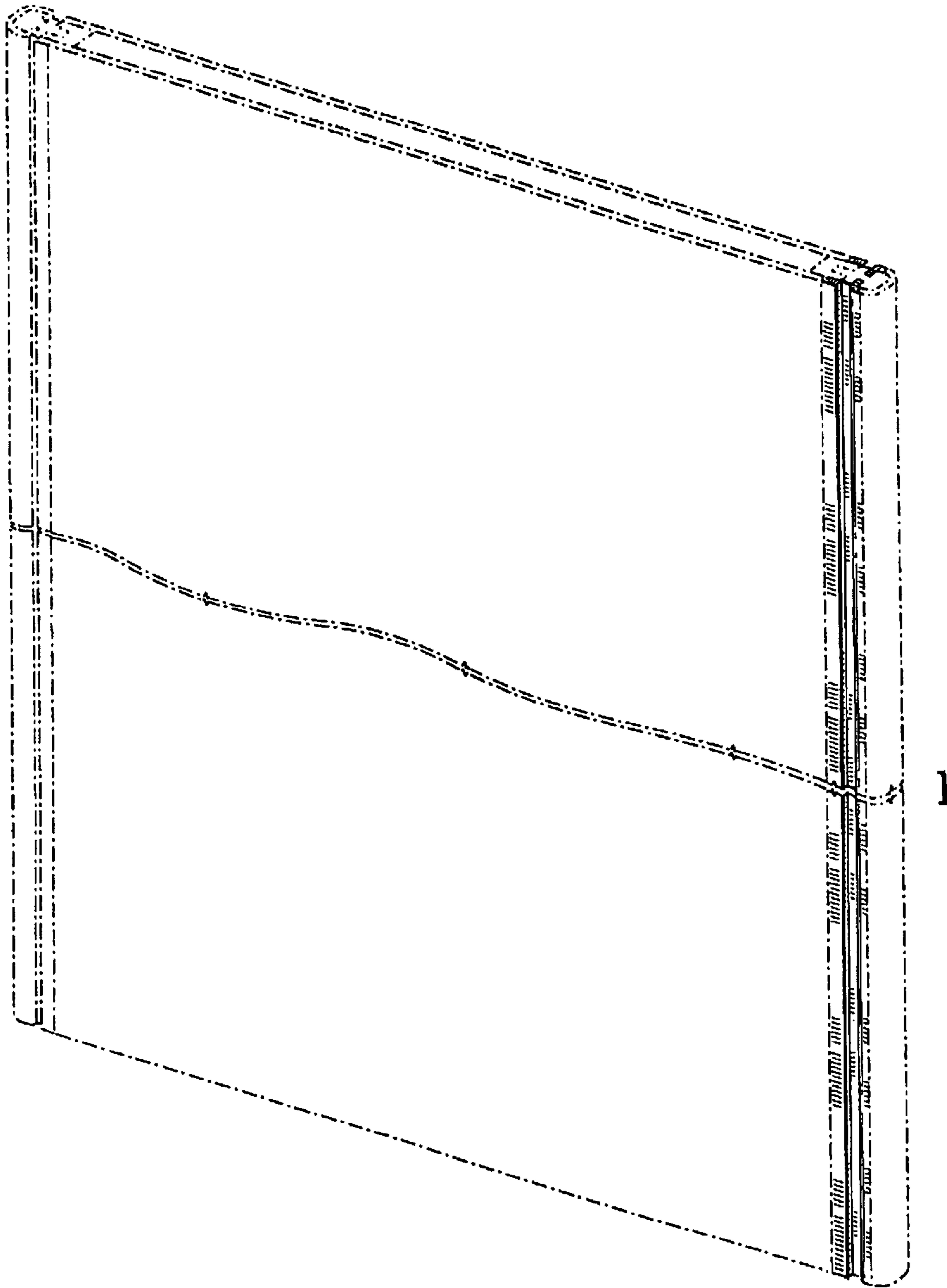


FIG. 1

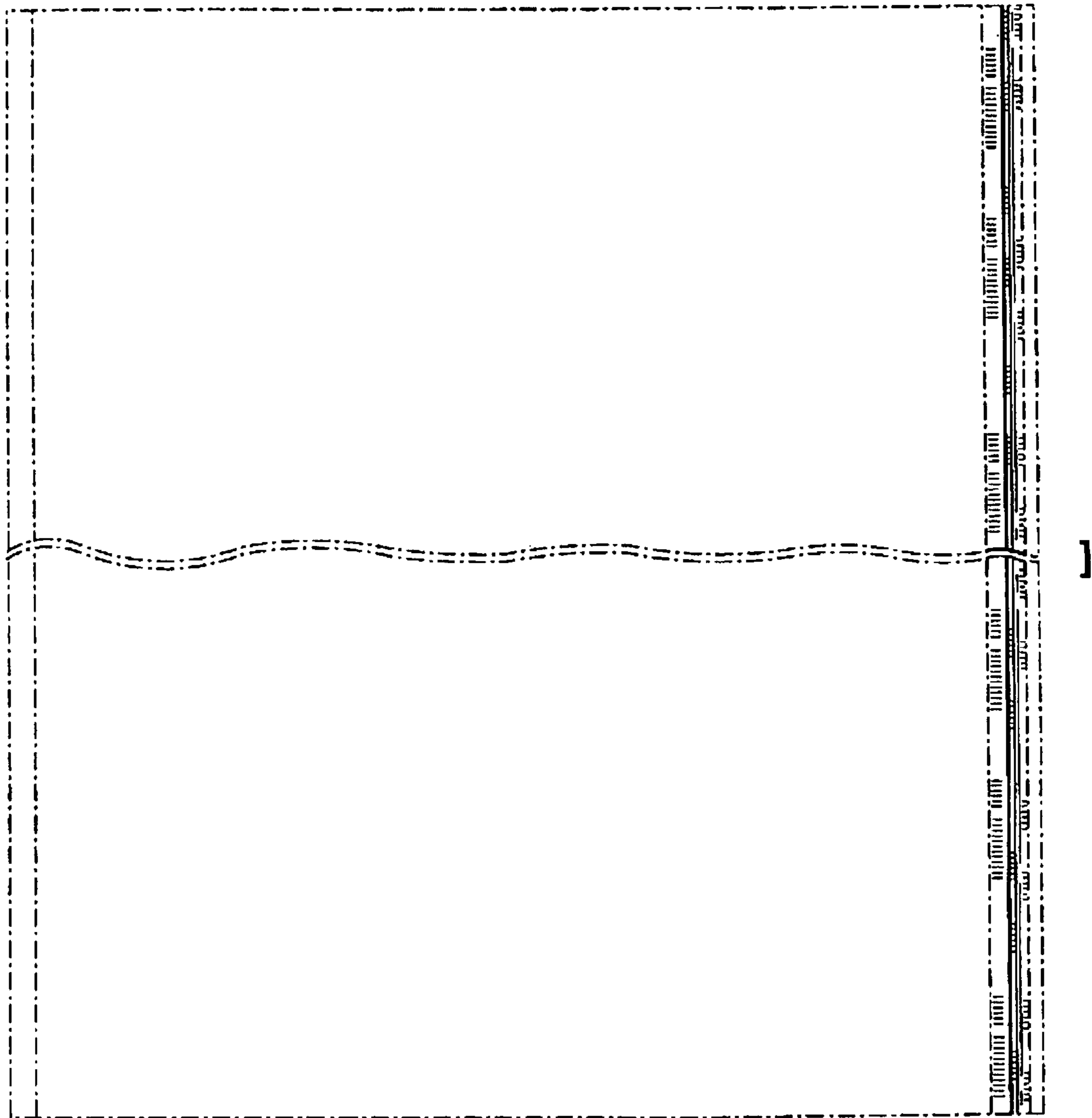


FIG. 2