



US00D518184S

(12) **United States Design Patent**
Fitts

(10) **Patent No.:** **US D518,184 S**
(45) **Date of Patent:** **** Mar. 28, 2006**

(54) **HANDRAIL**
(75) Inventor: **Lewis Ford Fitts**, Northport, AL (US)
(73) Assignee: **Fitts Industries, Inc.**, Tuscaloosa, AL (US)
(**) Term: **14 Years**
(21) Appl. No.: **29/219,434**
(22) Filed: **Dec. 16, 2004**
(51) **LOC (8) Cl.** **25-02**
(52) **U.S. Cl.** **D25/38**
(58) **Field of Classification Search** D25/38,
D25/121; 256/59, 65.01, 65.02, 65.07, 65.15,
256/65.16
See application file for complete search history.

(56) **References Cited**

U.S. PATENT DOCUMENTS

D210,519 S * 3/1968 Kusel et al. D25/121
5,544,866 A * 8/1996 Dye 256/69

5,788,224 A * 8/1998 Platt 256/66
D421,654 S * 3/2000 Michael et al. D25/38
6,164,629 A * 12/2000 Michael et al. 256/65.11

* cited by examiner

Primary Examiner—Doris Clark

(74) *Attorney, Agent, or Firm*—Karen B. Tripp

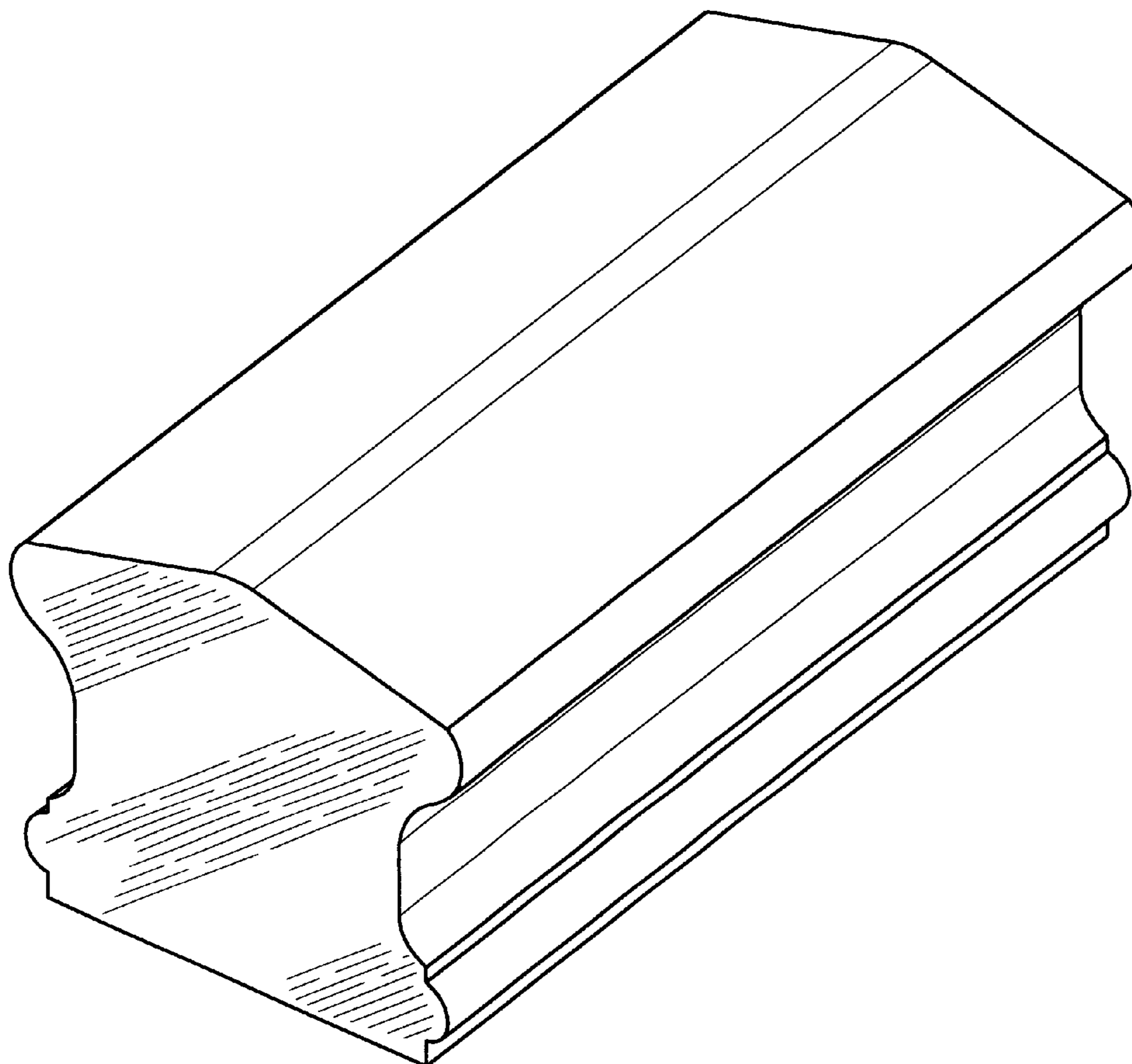
(57) **CLAIM**

The ornamental design for a handrail, as shown and described.

DESCRIPTION

FIG. 1 is a perspective view of a handrail.
FIG. 2 is a frontal view.
FIG. 3 is a back view.
FIG. 4 is a left side view.
FIG. 5 is a right side view.
FIG. 6 is a top view; and,
FIG. 7 is a bottom view.
The handrail has been broken on one end indicating indefinite length.

1 Claim, 4 Drawing Sheets



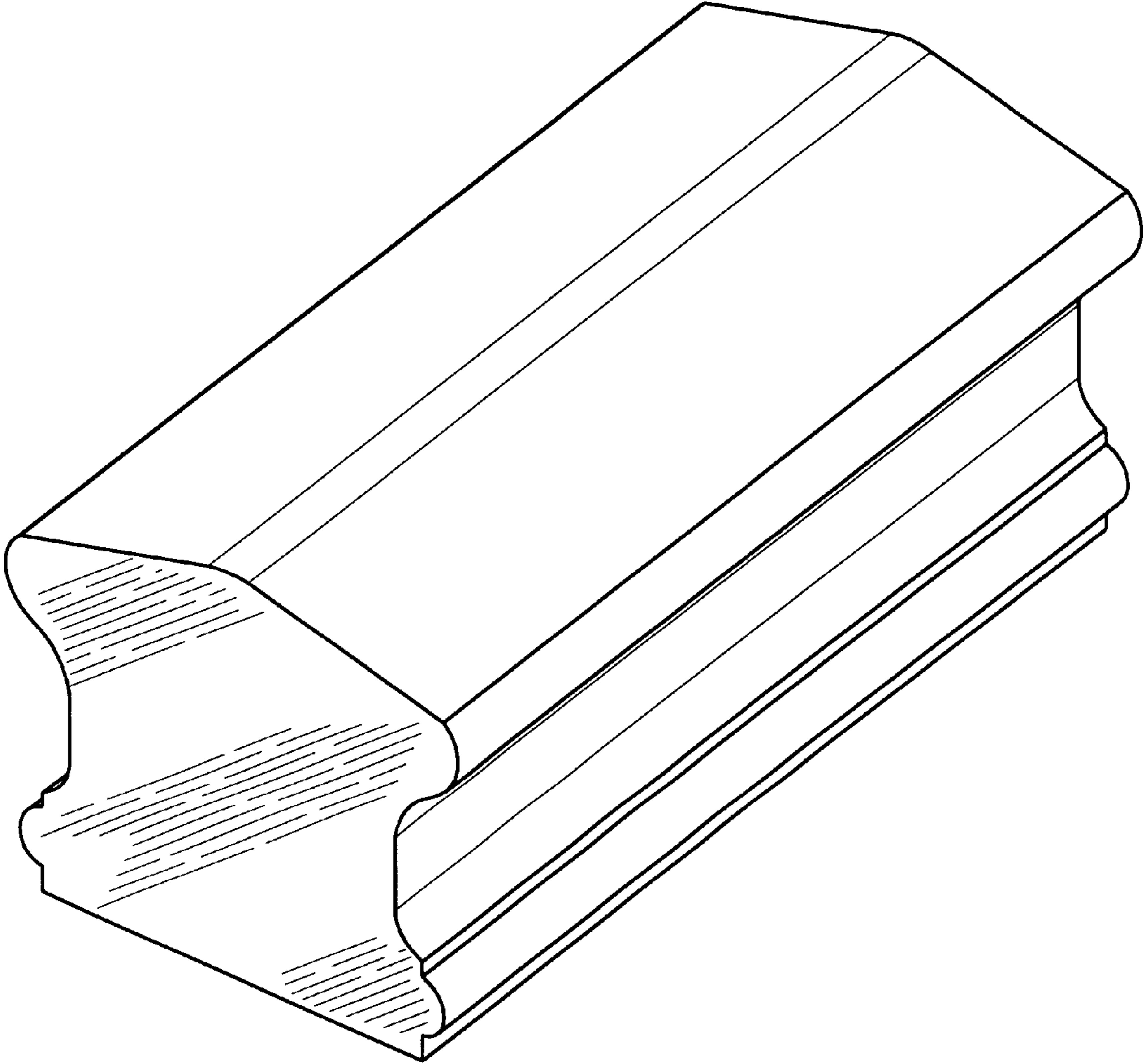


FIG. 1

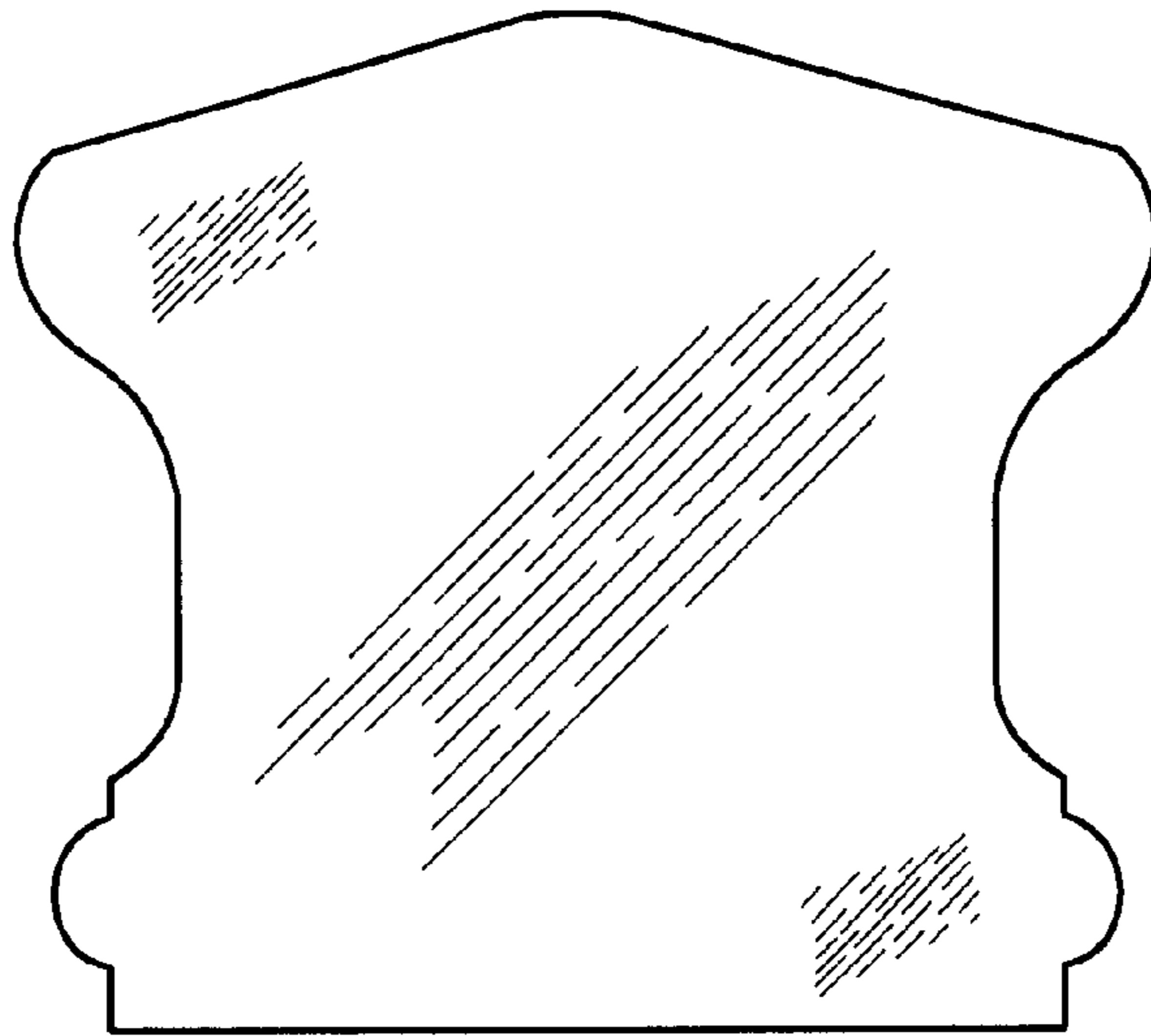


FIG. 2

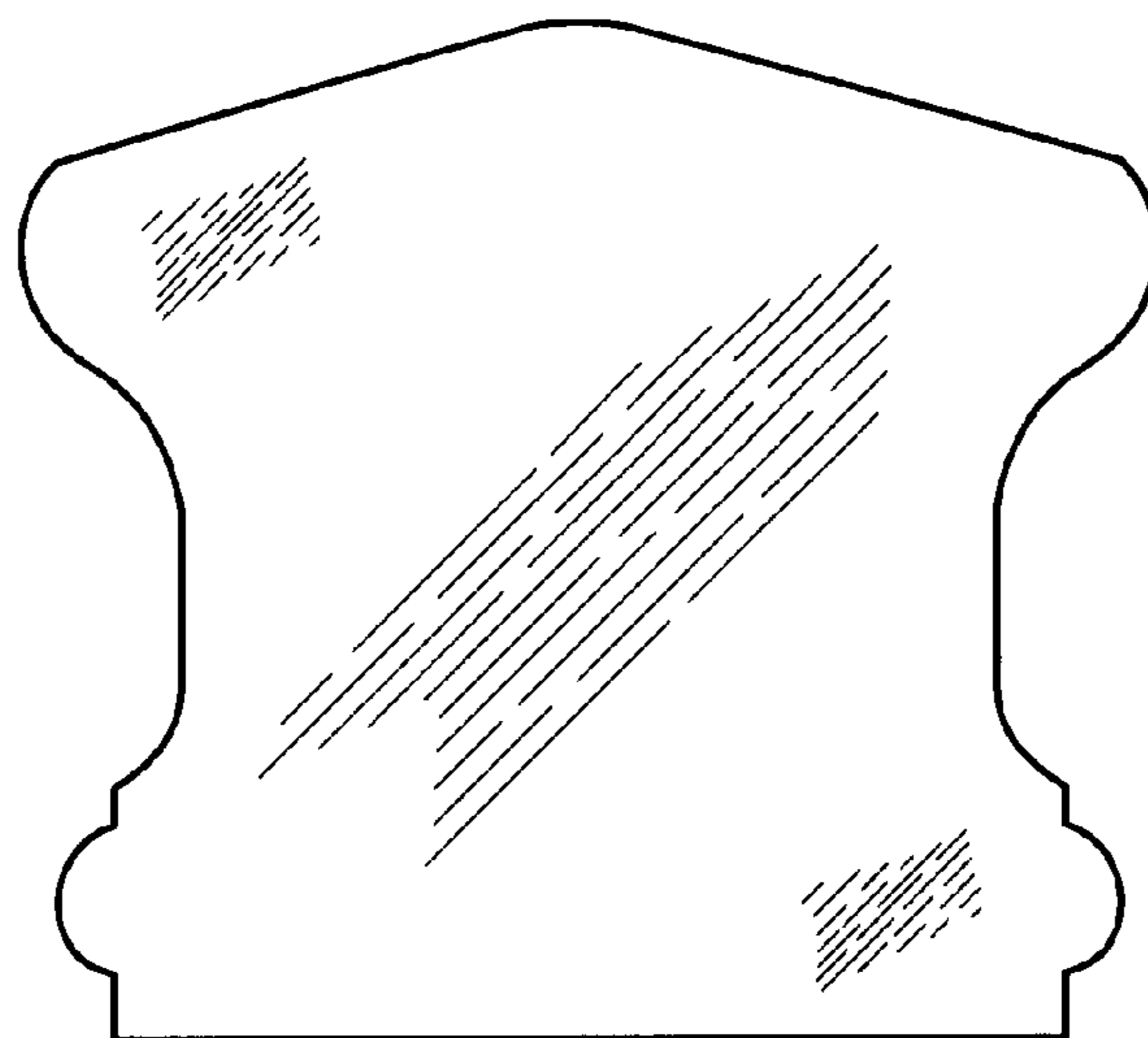


FIG. 3

FIG. 4

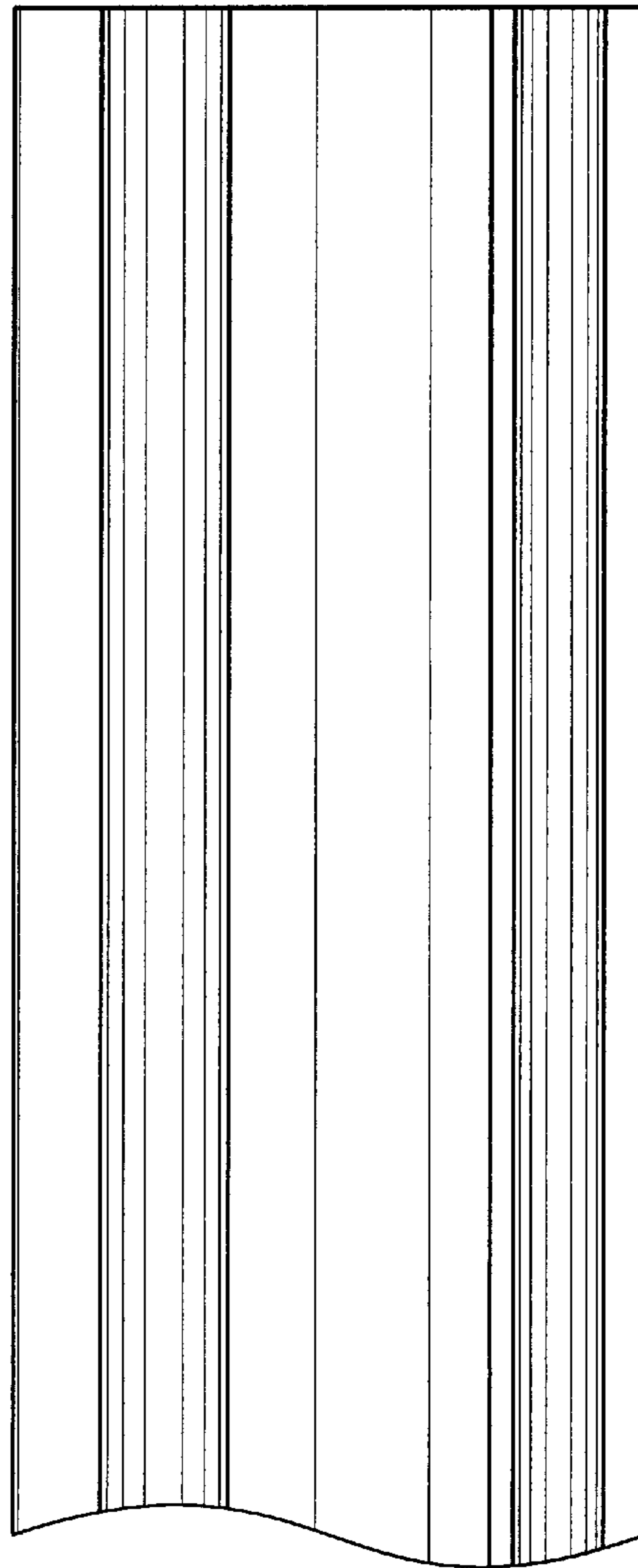
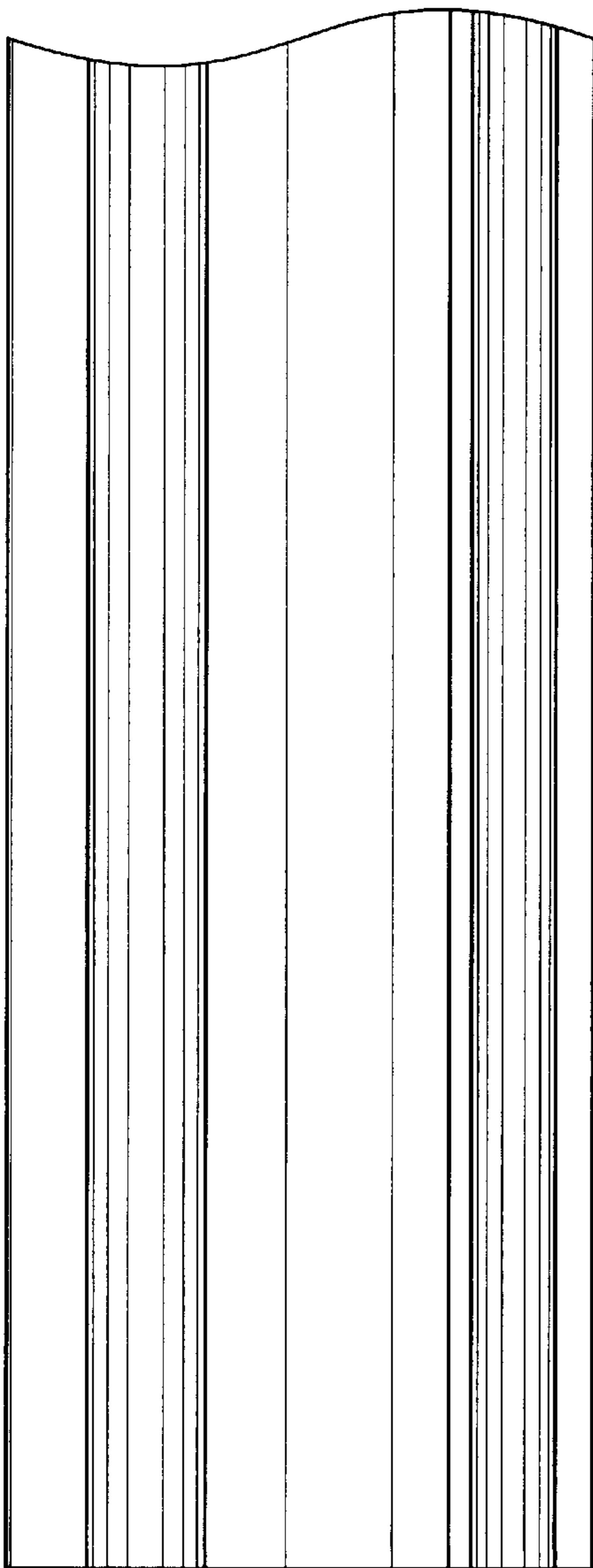


FIG. 5

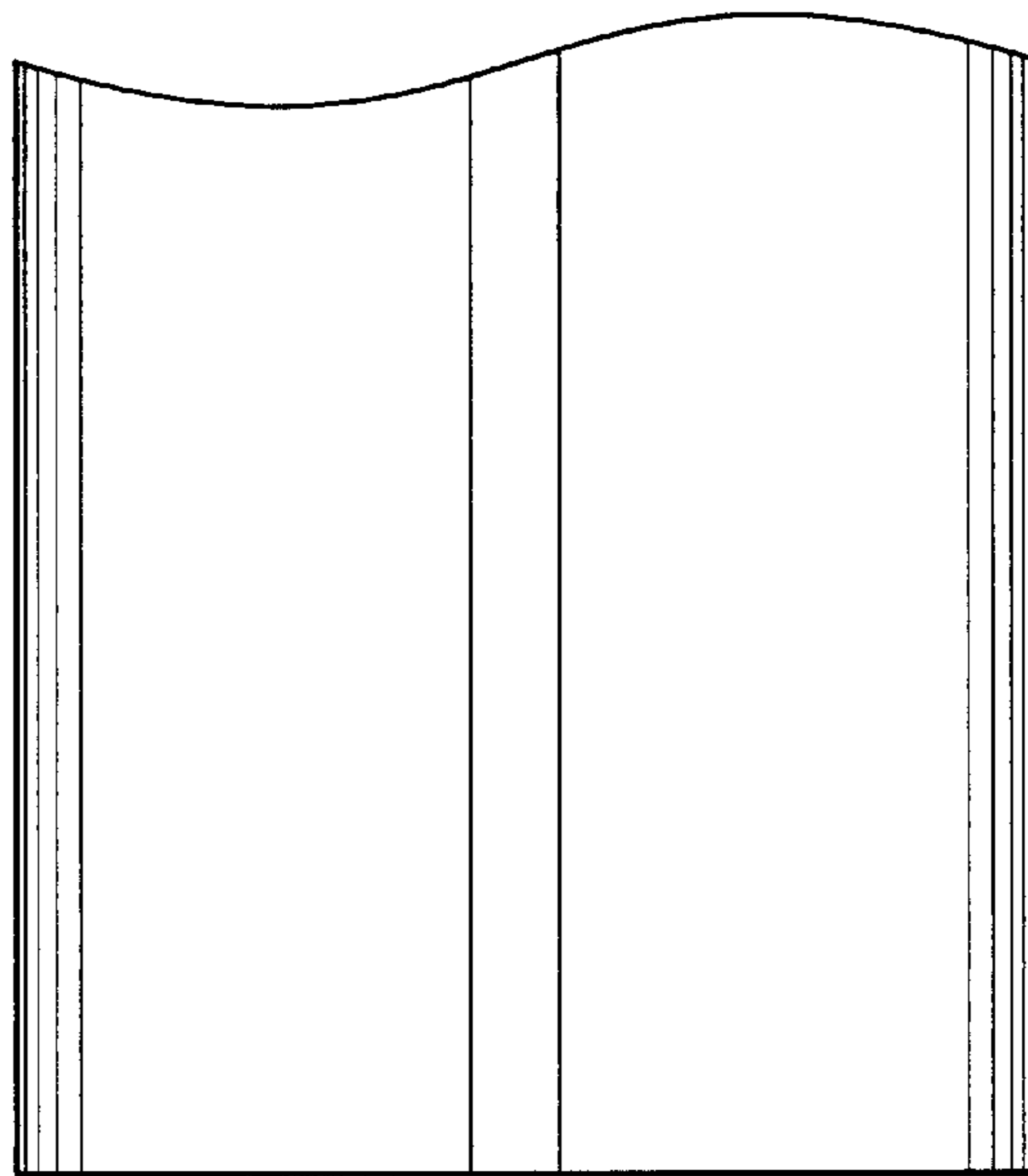


FIG. 6

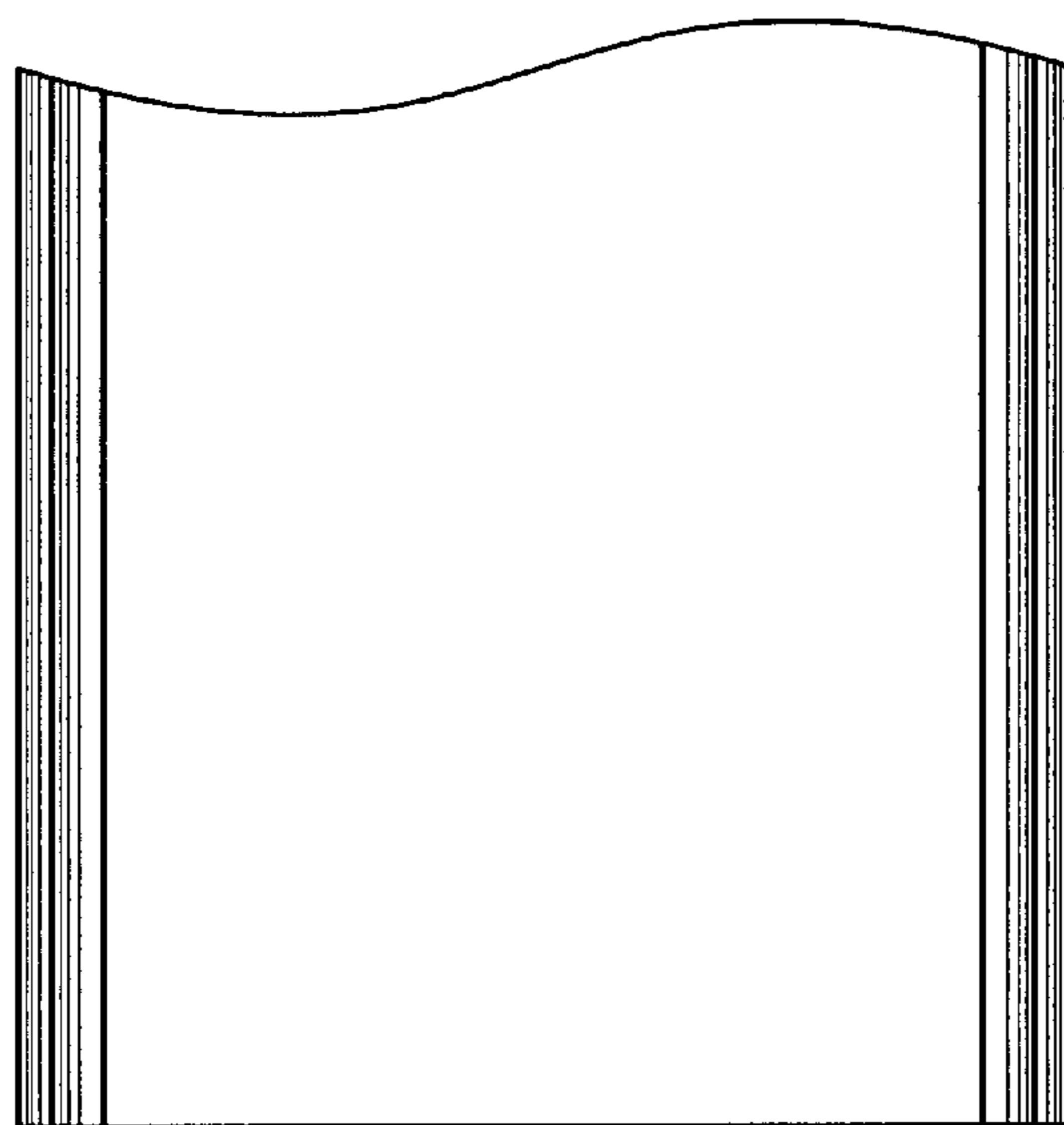


FIG. 7