



US00D518181S

(12) **United States Design Patent**
Loyd

(10) **Patent No.:** **US D518,181 S**
(45) **Date of Patent:** **** Mar. 28, 2006**

(54) **SPA SHELL**

(76) Inventor: **Casey Loyd**, 1462 E. 9th St., Pomona,
CA (US) 91766

(**) Term: **14 Years**

(21) Appl. No.: **29/212,115**

(22) Filed: **Aug. 25, 2004**

(51) **LOC (8) Cl.** **24-04**

(52) **U.S. Cl.** **D24/204; D24/201; D23/277**

(58) **Field of Classification Search** D24/201,
D24/204, 205; D23/277; 4/541.1-541.6,
4/547, 578.1, 579; 601/154-158

See application file for complete search history.

(56) **References Cited**

U.S. PATENT DOCUMENTS

D254,447 S *	3/1980	Reineman	D24/204
D284,407 S *	6/1986	Doman	D24/205
D301,374 S *	5/1989	D’Innocente	D24/204
D436,178 S *	1/2001	Larsen et al.	D24/204
D446,309 S *	8/2001	Bower	D24/204
D446,310 S *	8/2001	Bower	D24/204
2003/0014811 A1 *	1/2003	Hammock	4/541.1

OTHER PUBLICATIONS

Excerpt from 1999 Catalogue of Sundance Spas.
Excerpt from 1999 Catalogue of Sundance Spas.
Excerpt from vol. 1. Issue 1 of Cal Spas Today (1997).

Excerpt from 1996 Catalogue of Coleman Spas.
Excerpt from 1996 Catalogue of Coleman Spas.

* cited by examiner

Primary Examiner—Louis S. Zarfes
Assistant Examiner—Melanie Levy
(74) *Attorney, Agent, or Firm*—Denton L. Anderson;
Sheldon & Make

(57) **CLAIM**

The ornamental design for a spa shell, as shown and described.

DESCRIPTION

FIG. 1 is a first perspective view of the spa shell of the invention;

FIG. 2 is a second perspective view of the spa shell illustrated in FIG. 1;

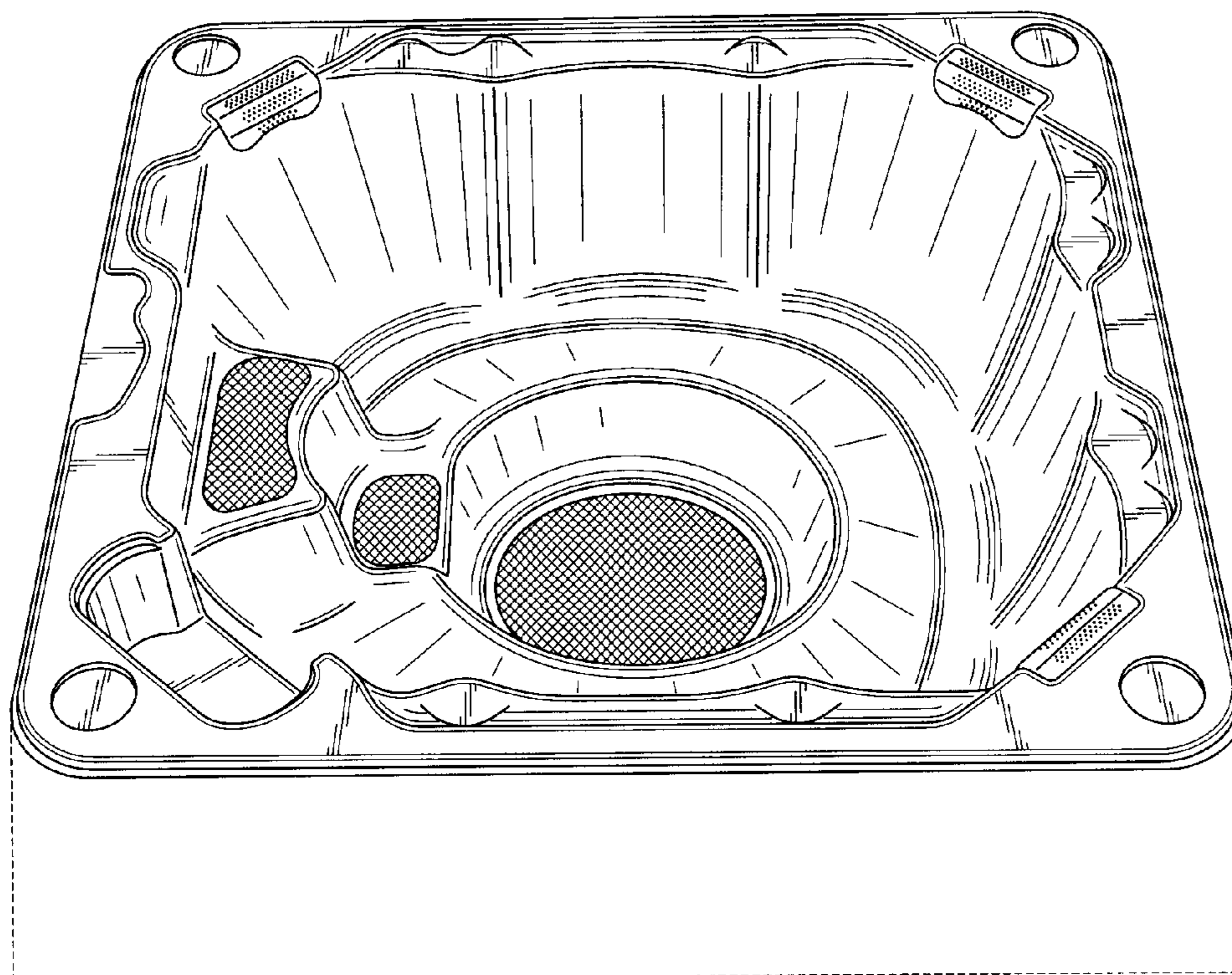
FIG. 3 is a top plan view of the spa shell illustrated in FIG. 1;

FIG. 4 is a first side view of the invention illustrated in FIG. 1; and,

FIG. 5 is a second side view of the spa shell illustrated in FIG. 1.

The broken lines are for illustrative purposes only and form no part of the claimed design.

1 Claim, 4 Drawing Sheets



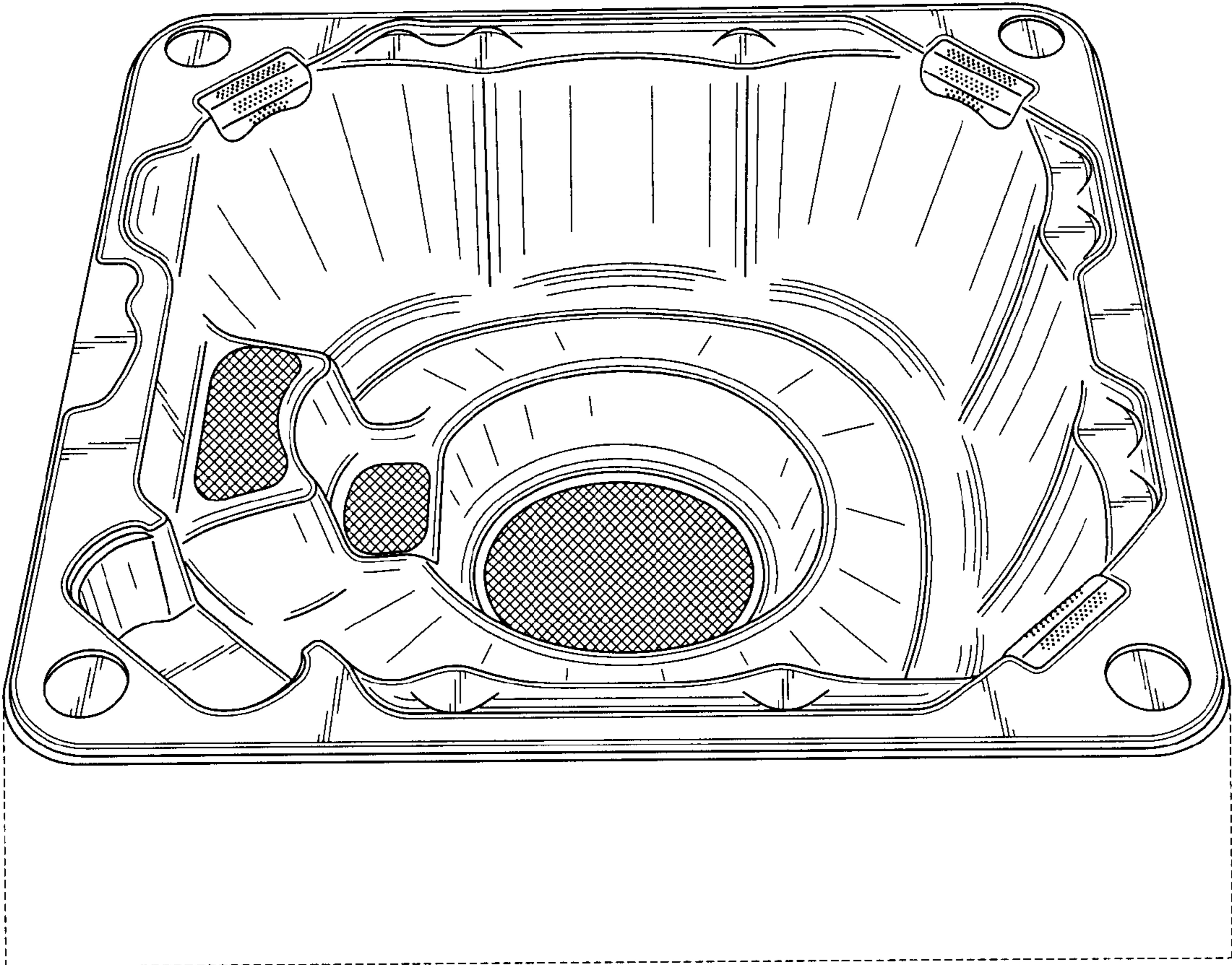


FIG. 1

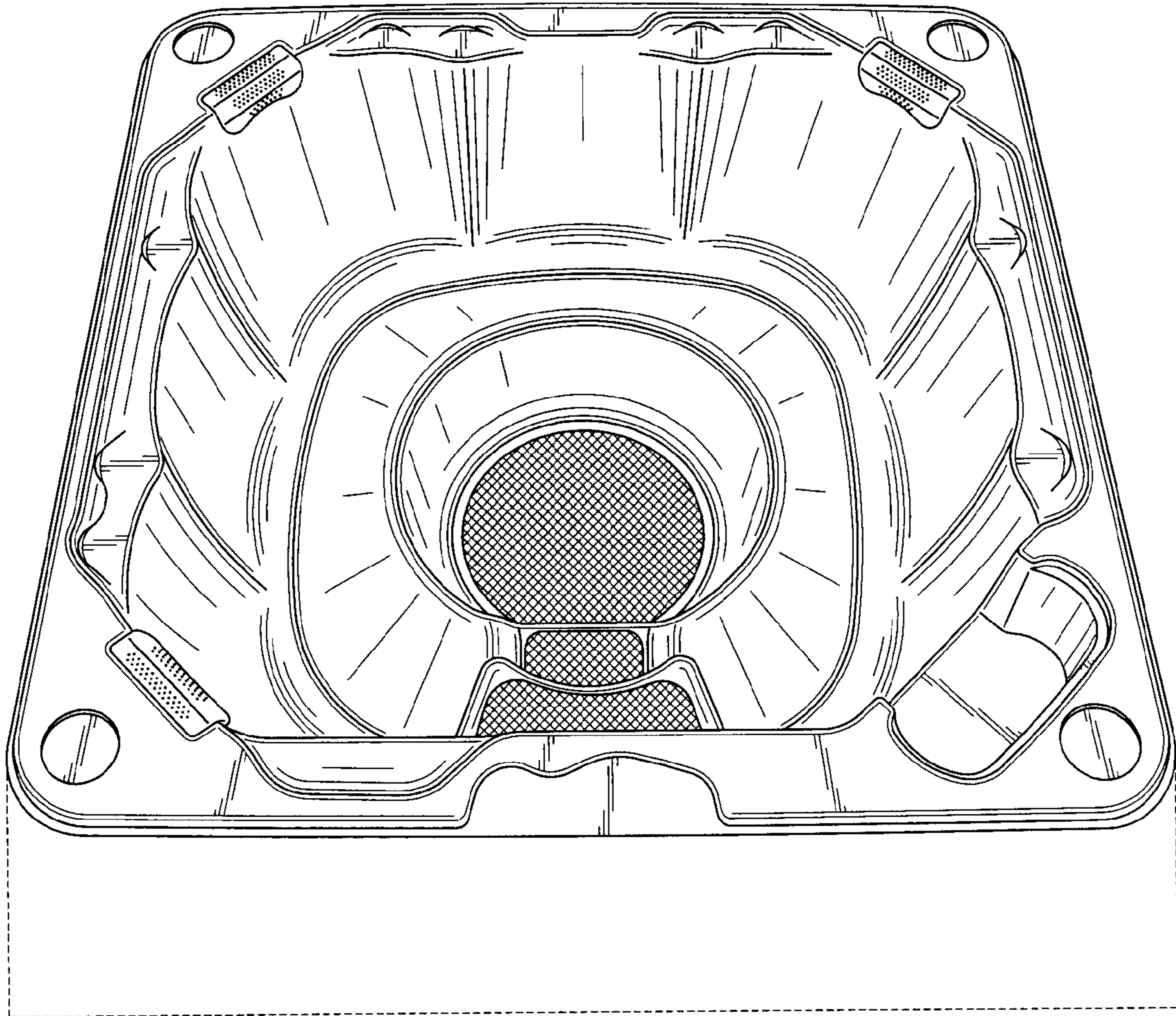


FIG. 2

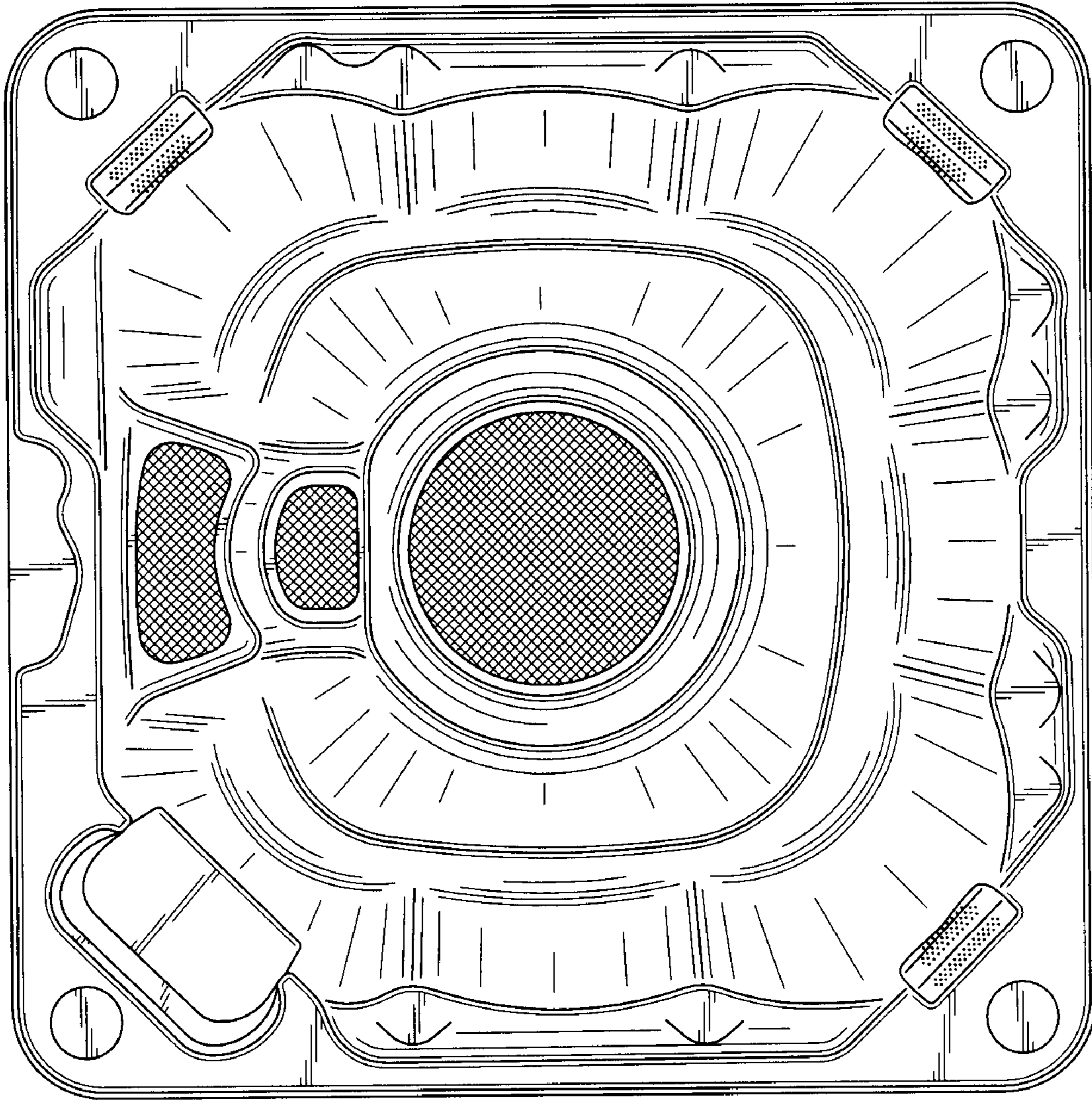


FIG. 3

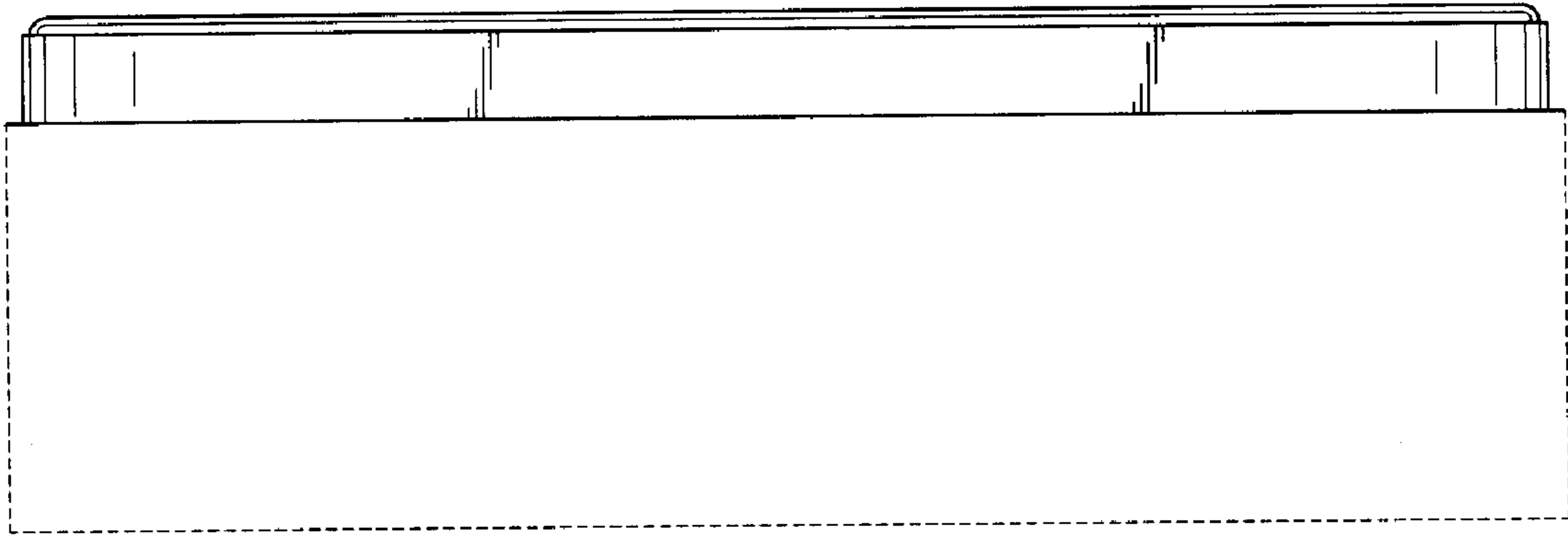


FIG. 4

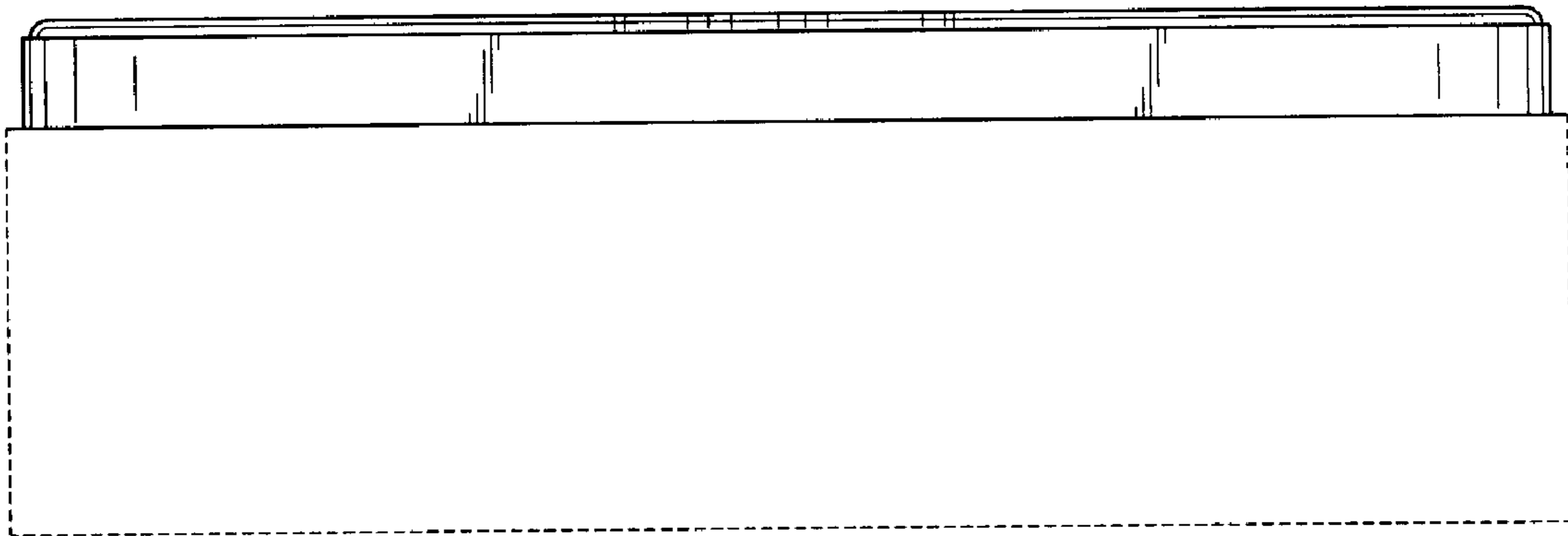


FIG. 5