



US00D518179S

(12) **United States Design Patent**
Holmes

(10) **Patent No.:** **US D518,179 S**
(45) **Date of Patent:** **** Mar. 28, 2006**

- (54) **HEARING AID EARTIP**
- (76) Inventor: **David William Holmes**, 6106 Lansford La., Colleyville, TX (US) 76034-5232
- (**) Term: **14 Years**
- (21) Appl. No.: **29/216,700**
- (22) Filed: **Nov. 8, 2004**
- (51) **LOC (8) Cl.** **24-99**
- (52) **U.S. Cl.** **D24/174**
- (58) **Field of Classification Search** D24/174, D24/173; 381/23.1, 312, 322, 323, 328, 329, 381/380, 381, 382; 181/130, 131, 134, 137; 128/864-868
See application file for complete search history.

6,000,492 A	12/1999	Puthuff et al.
6,009,183 A	12/1999	Taenzer et al.
D419,675 S	1/2000	Garcia
D419,676 S	1/2000	Garcia
D420,135 S	2/2000	Fretz et al.
6,021,207 A	2/2000	Puthuff et al.
6,084,975 A	7/2000	Perkins
D431,294 S	9/2000	Barnard et al.
6,154,546 A	11/2000	Uvacek
6,181,801 B1	1/2001	Puthuff et al.
6,275,596 B1	8/2001	Fretz et al.
6,445,799 B1	9/2002	Taenzer et al.

* cited by examiner

Primary Examiner—Ian Simmons
Assistant Examiner—Daniel Yu
(74) *Attorney, Agent, or Firm*—Kevin Mark Klughart

(56) **References Cited**

U.S. PATENT DOCUMENTS

D245,202 S	*	7/1977	Asker	D24/106
4,055,233 A	*	10/1977	Huntress	181/135
D267,429 S		12/1982	Harada		
4,375,016 A		2/1983	Harada		
4,852,684 A		8/1989	Packard		
5,046,580 A	*	9/1991	Barton	181/135
5,288,953 A		2/1994	Peart		
D363,120 S		10/1995	Savage et al.		
D416,090 S		11/1999	Miller et al.		
5,987,146 A		11/1999	Pluvinage et al.		

(57) **CLAIM**

I claim the ornamental design for a hearing aid eartip, as shown and described.

DESCRIPTION

FIG. 1 illustrates a perspective view a hearing aid eartip showing my new design;
FIG. 2 illustrates a side view of the hearing aid eartip;
FIG. 3 illustrates an end view of the hearing aid eartip; and,
FIG. 4 illustrates a side sectional view of the hearing aid eartip.

1 Claim, 4 Drawing Sheets

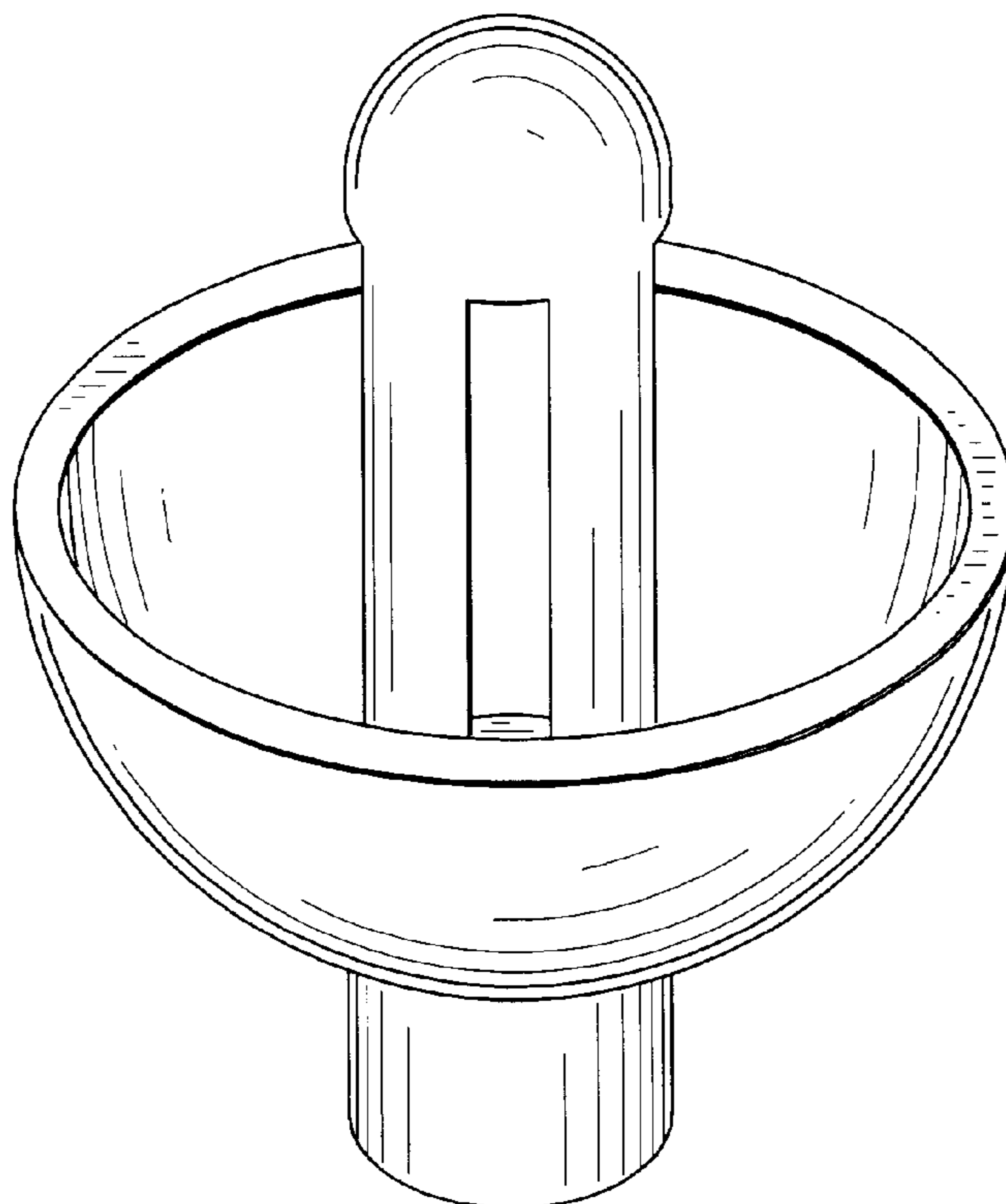


FIG. 1

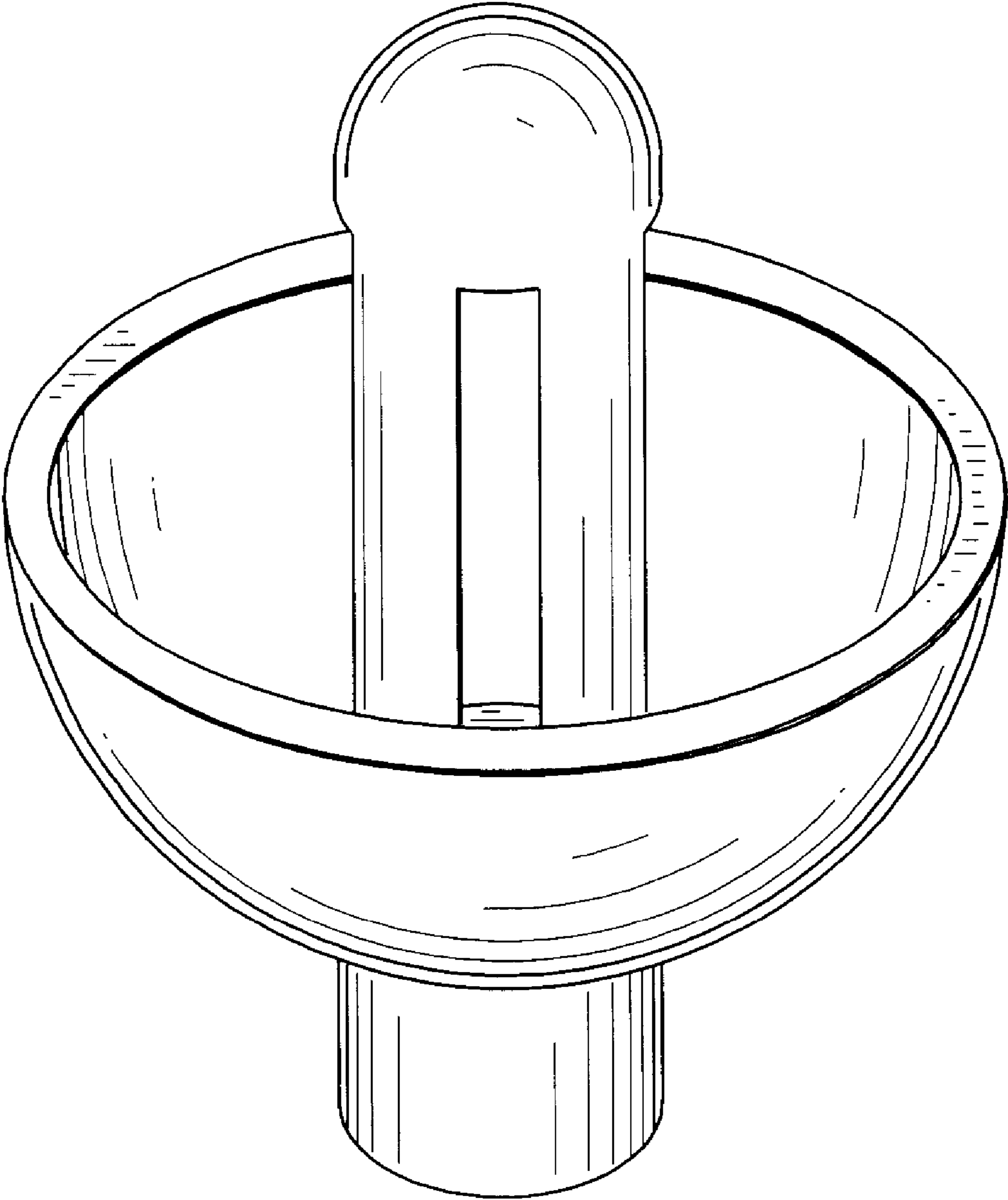


FIG. 2

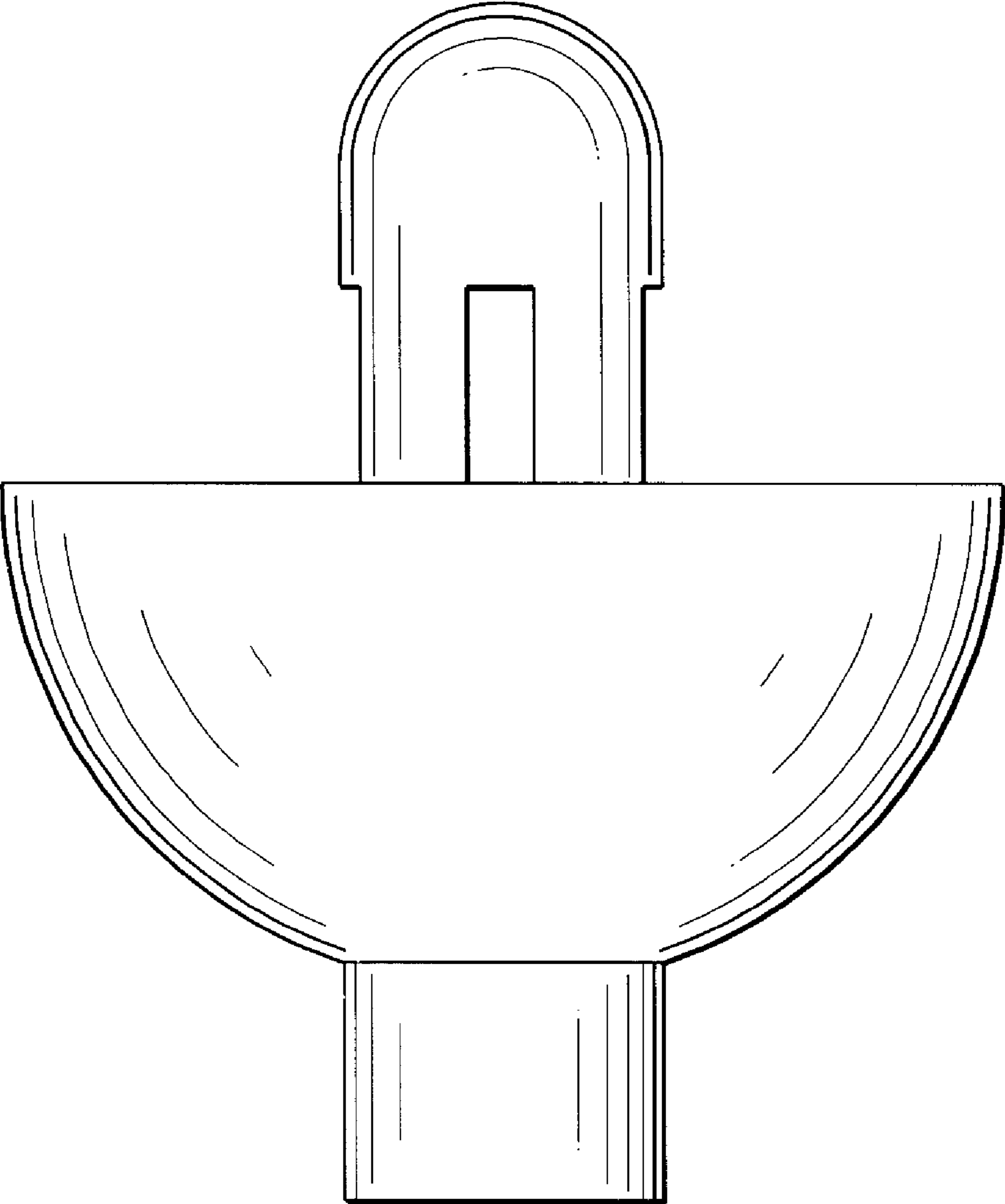


FIG. 3

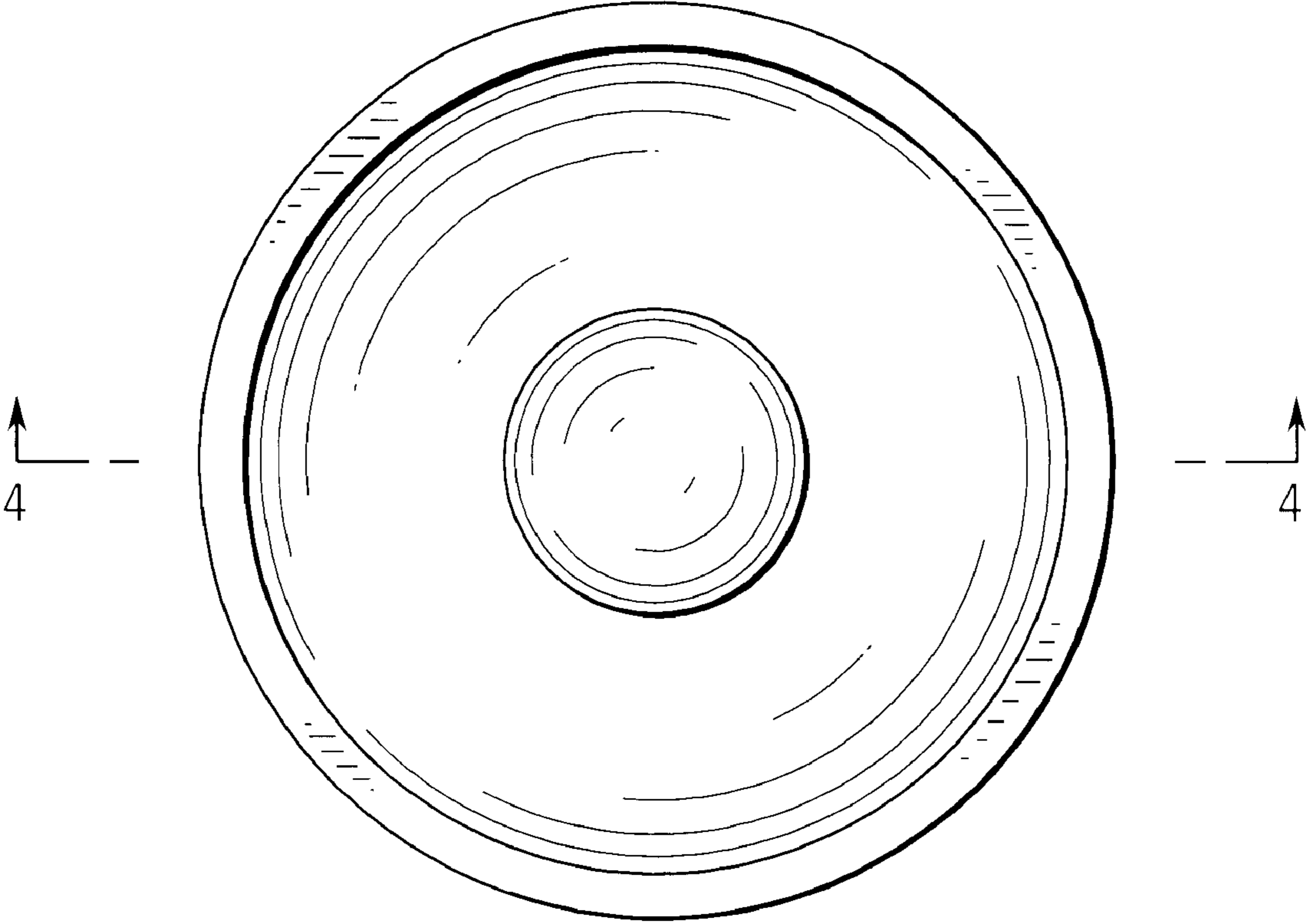


FIG. 4

