

US00D518174S

(12) **United States Design Patent**
Venturini et al.

(10) **Patent No.:** **US D518,174 S**
(45) **Date of Patent:** **** Mar. 28, 2006**

(54) **EXTERNAL FIXATION DEVICE FOR REDUCING BONE FRACTURES**

5,207,676 A * 5/1993 Canadell et al. 606/54
5,931,837 A * 8/1999 Marsh et al. 606/55
6,036,691 A * 3/2000 Richardson 606/57
6,217,577 B1 * 4/2001 Hofmann 606/57
6,235,029 B1 * 5/2001 Faccioli et al. 606/54

(75) Inventors: **Daniele Venturini**, Povegliano Veronese (IT); **Michele Coati**, San Pietro in Cariano (IT); **Luigi Rossi**, Peschiera del Garda (IT)

* cited by examiner

(73) Assignee: **Orthofix S.r.l.** (IT)

Primary Examiner—Ian Simmons
(74) *Attorney, Agent, or Firm*—Leydig, Voit & Mayer, Ltd.

(**) Term: **14 Years**

(57) **CLAIM**

(21) Appl. No.: **29/147,757**

The ornamental design for an external fixation device for reducing bone fractures, as shown and described.

(22) Filed: **Sep. 5, 2001**

DESCRIPTION

(30) **Foreign Application Priority Data**

Mar. 6, 2001 (IT) DM/056 568

(51) **LOC (8) Cl.** **24-02**

(52) **U.S. Cl.** **D24/133; D24/128**

(58) **Field of Classification Search** D24/140,
D24/133, 155, 128, 188; 606/54, 55, 57,
606/59

See application file for complete search history.

FIG. 1 is a perspective view of one embodiment of external fixation device for reducing bone fractures embodying the design of the present invention;

FIG. 2 is a front elevational view thereof;

FIG. 3 is a rear elevational view thereof;

FIG. 4 is a right side elevational view thereof;

FIG. 5 is a left side elevational view thereof;

FIG. 6 is a top view thereof; and,

FIG. 7 is a bottom view thereof.

(56) **References Cited**

U.S. PATENT DOCUMENTS

5,019,077 A * 5/1991 Bastiani et al. 606/54

1 Claim, 6 Drawing Sheets

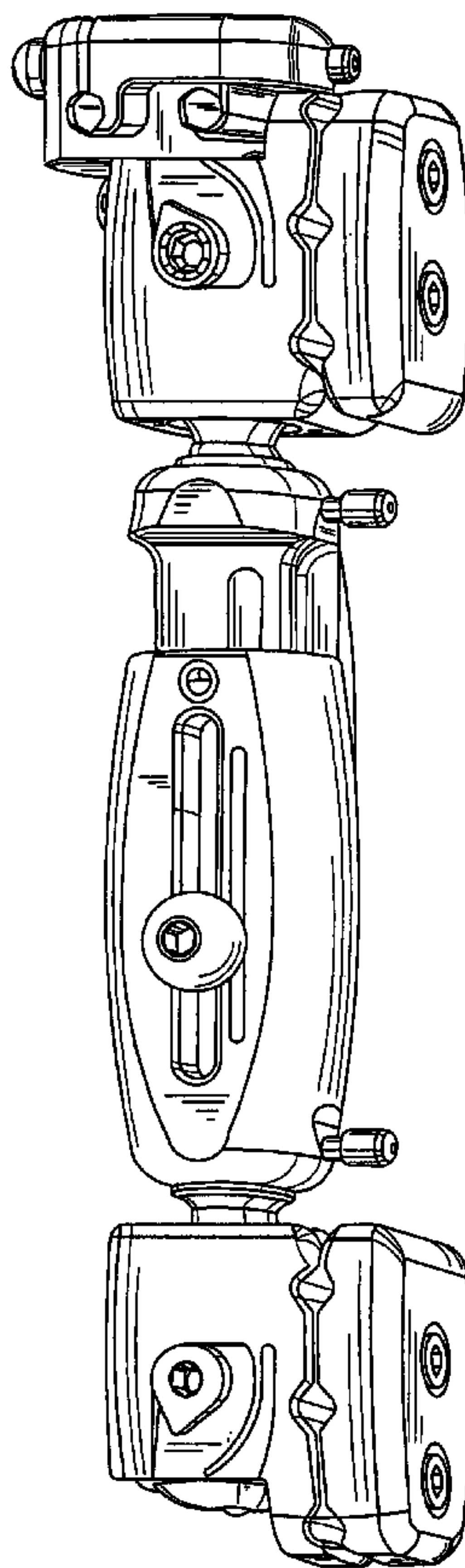


FIG. 1

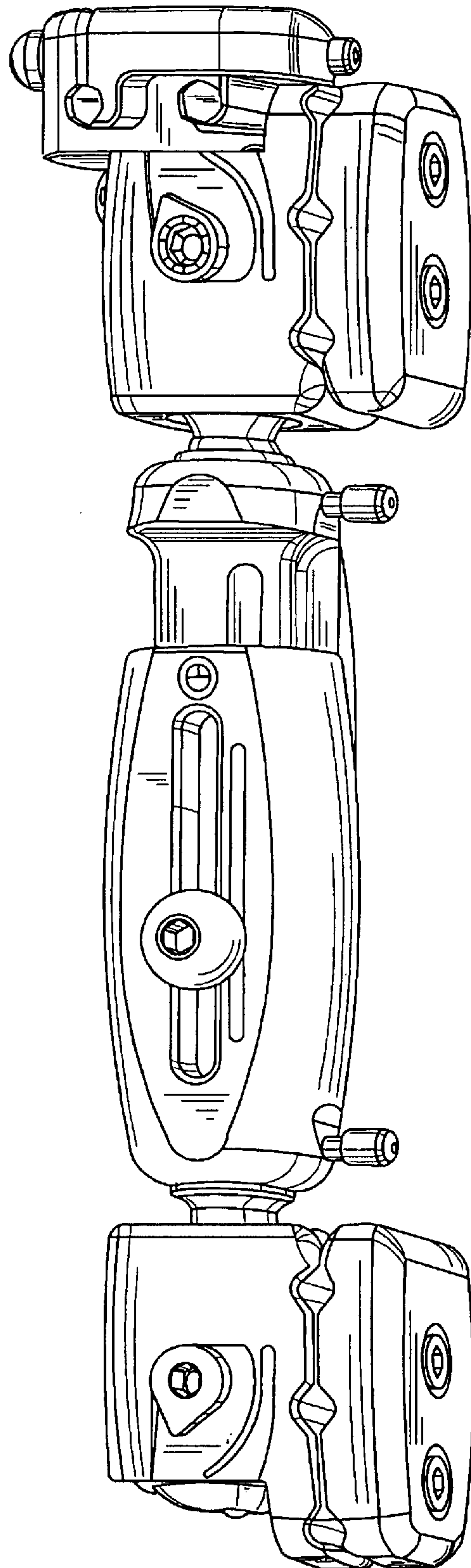


FIG. 2

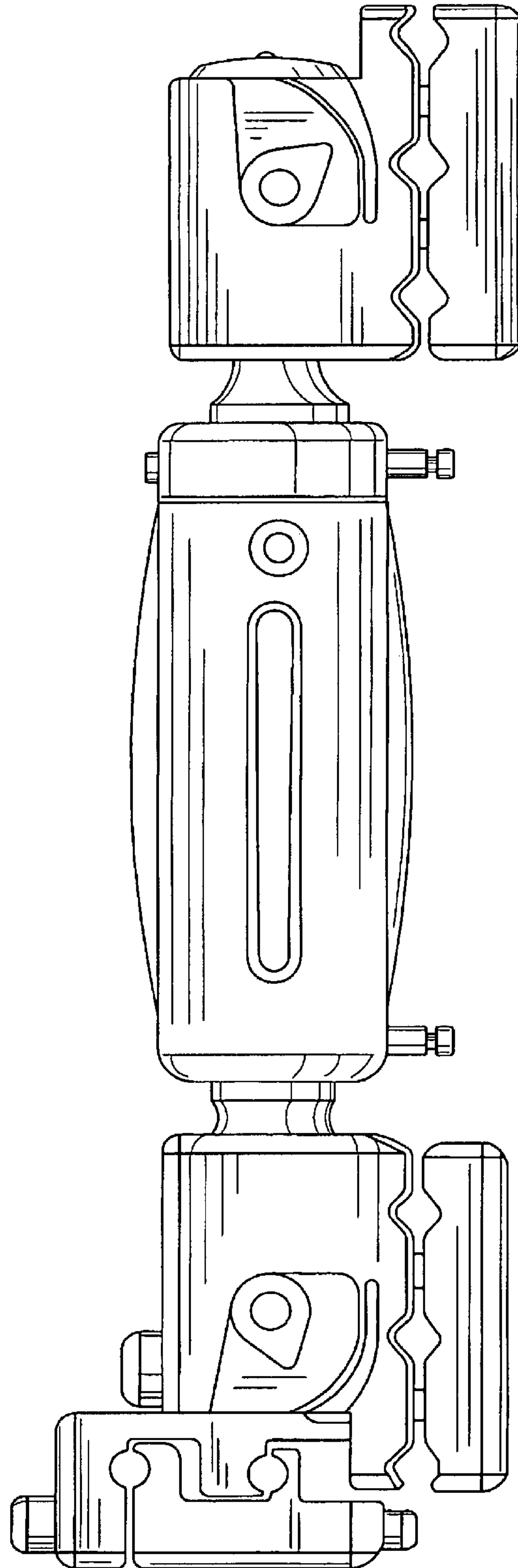


FIG. 3

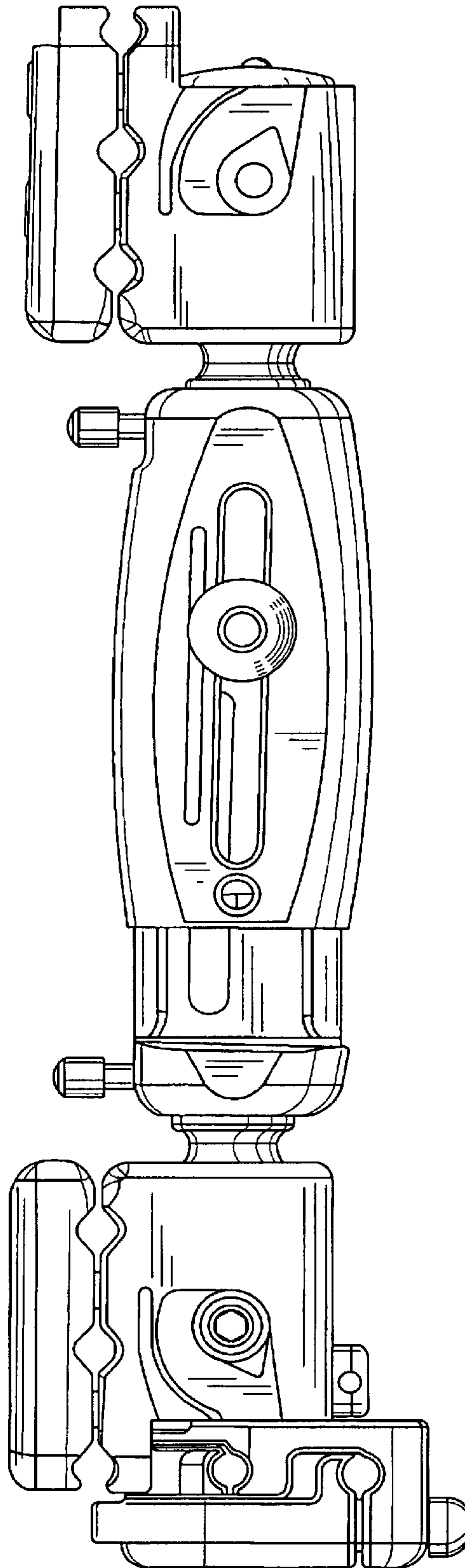


FIG. 4

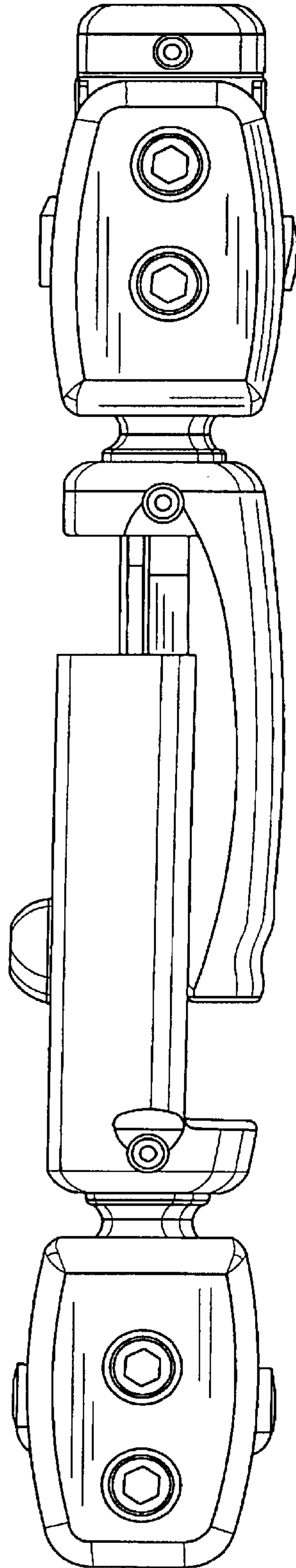


FIG. 5

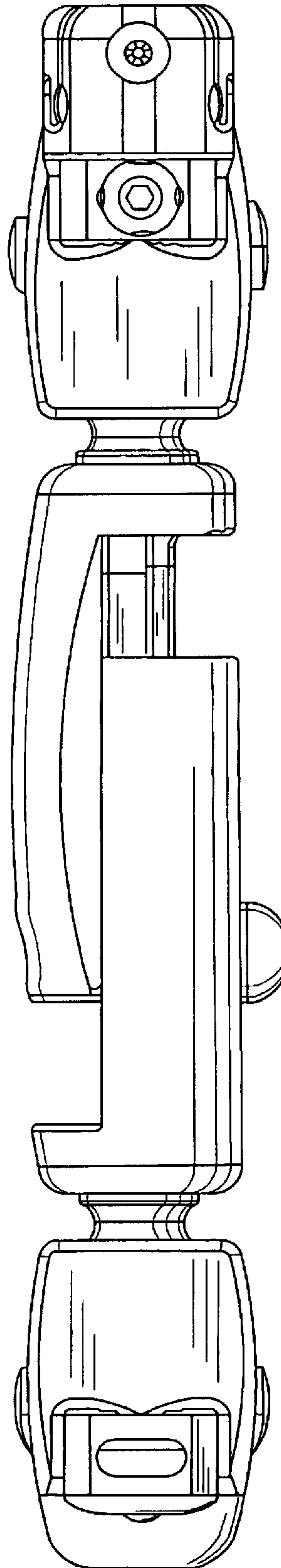


FIG. 6

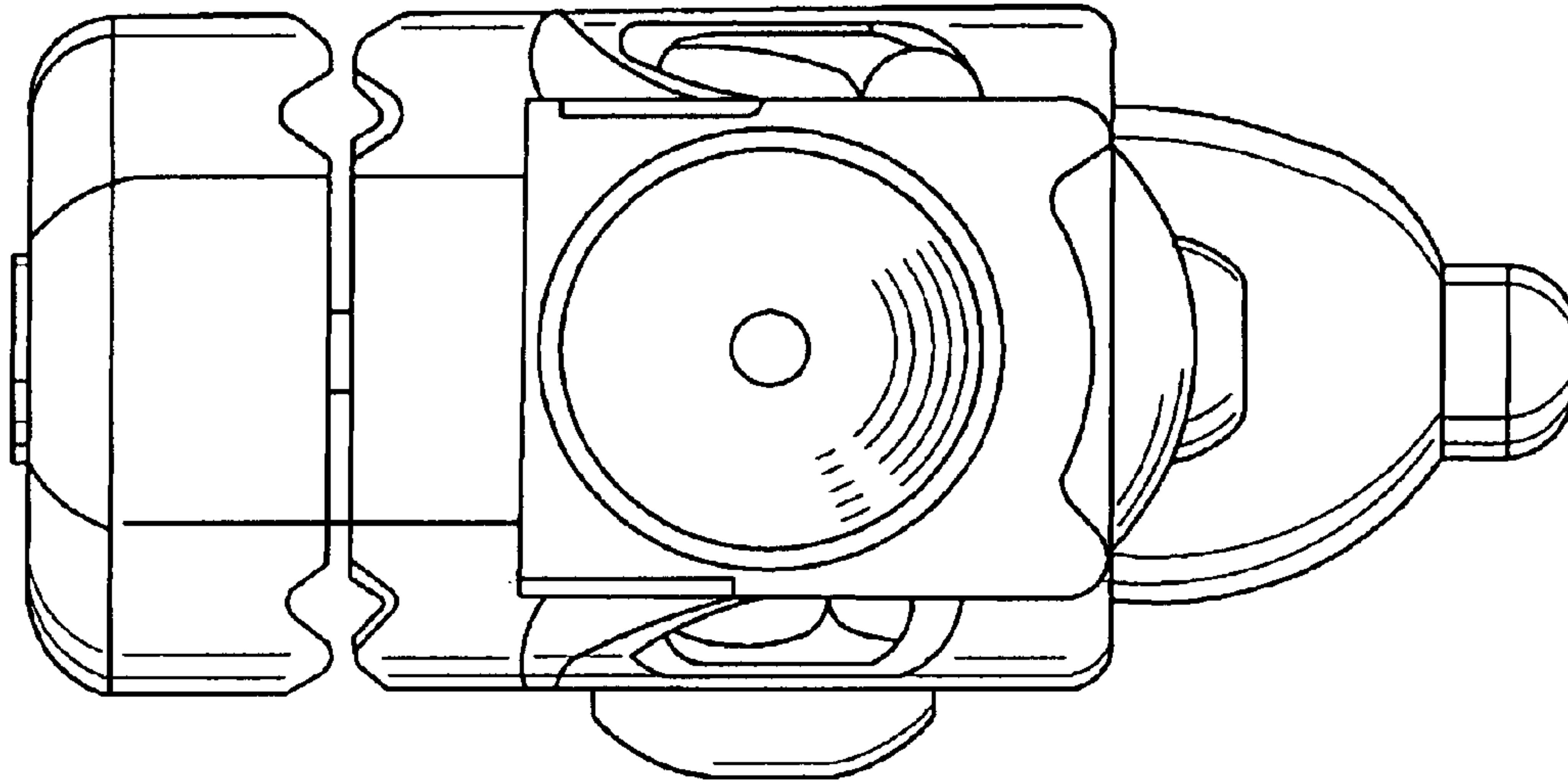


FIG. 7

