



US00D518172S

(12) **United States Design Patent**
Britten et al.

(10) **Patent No.:** **US D518,172 S**

(45) **Date of Patent:** **** Mar. 28, 2006**

(54) **OXYGEN FLOW GENERATOR**

(75) Inventors: **Jack H. Britten**, Blairstown, NJ (US);
Luciano DeFeo, South Orange, NJ (US)

(73) Assignee: **Vital Signs, Inc.**, Totowa, NJ (US)

(**) Term: **14 Years**

(21) Appl. No.: **29/139,413**

(22) Filed: **Mar. 29, 2001**

(51) **LOC (8) Cl.** **29-02**

(52) **U.S. Cl.** **D24/110.6; D24/129**

(58) **Field of Classification Search** D24/110,
D24/110.6, 129; 128/205.24, 203.11, 203.25,
128/205.11, 207.16, 207.12

See application file for complete search history.

(56) **References Cited**

U.S. PATENT DOCUMENTS

4,022,202	A	*	5/1977	Price	128/205.24
4,944,292	A	*	7/1990	Gaeko et al.	128/205.24
D315,971	S	*	4/1991	Molzan	D24/110.6
5,372,129	A	*	12/1994	Ryder	128/205.11
D409,745	S	*	5/1999	Niemczyk	D24/110.6
5,921,234	A	*	7/1999	Garofalo	128/205.24
D418,599	S	*	1/2000	McCombs et al.	D24/110.6

D421,298	S	*	2/2000	Kenyon et al.	D24/110
D427,675	S	*	7/2000	Hansel	D24/110
6,189,531	B1	*	2/2001	Tatarek	128/205.24

* cited by examiner

Primary Examiner—Ian Simmons

(74) *Attorney, Agent, or Firm*—R. Gale Rhodes, Jr.

(57) **CLAIM**

We claim the ornamental design for the oxygen flow generator, as shown and described.

DESCRIPTION

FIG. 1 is a front elevation view of an oxygen flow generator showing our new design;

FIG. 2 is a top view thereof;

FIG. 3 is a bottom view thereof;

FIG. 4 is a left side view thereof;

FIG. 5 is a right side view thereof;

FIG. 6 is a rear view thereof;

FIG. 7 is a top perspective view thereof;

FIG. 8 is a top perspective view thereof rotated approximately 180° with respect to FIG. 7;

FIG. 9 is a bottom perspective view thereof; and,

FIG. 10 is a bottom perspective view thereof rotated approximately 90° with respect to FIG. 9.

1 Claim, 4 Drawing Sheets

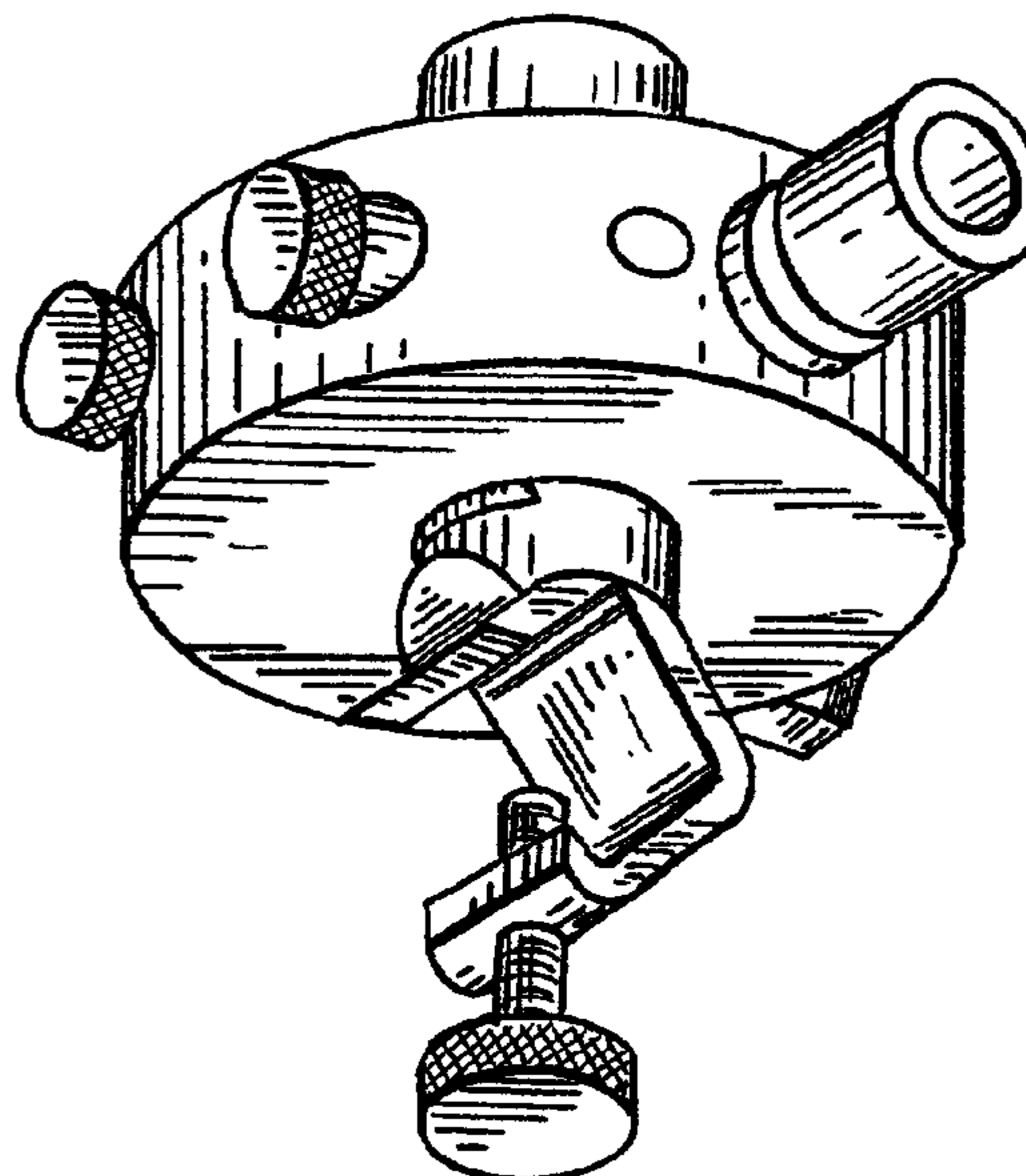
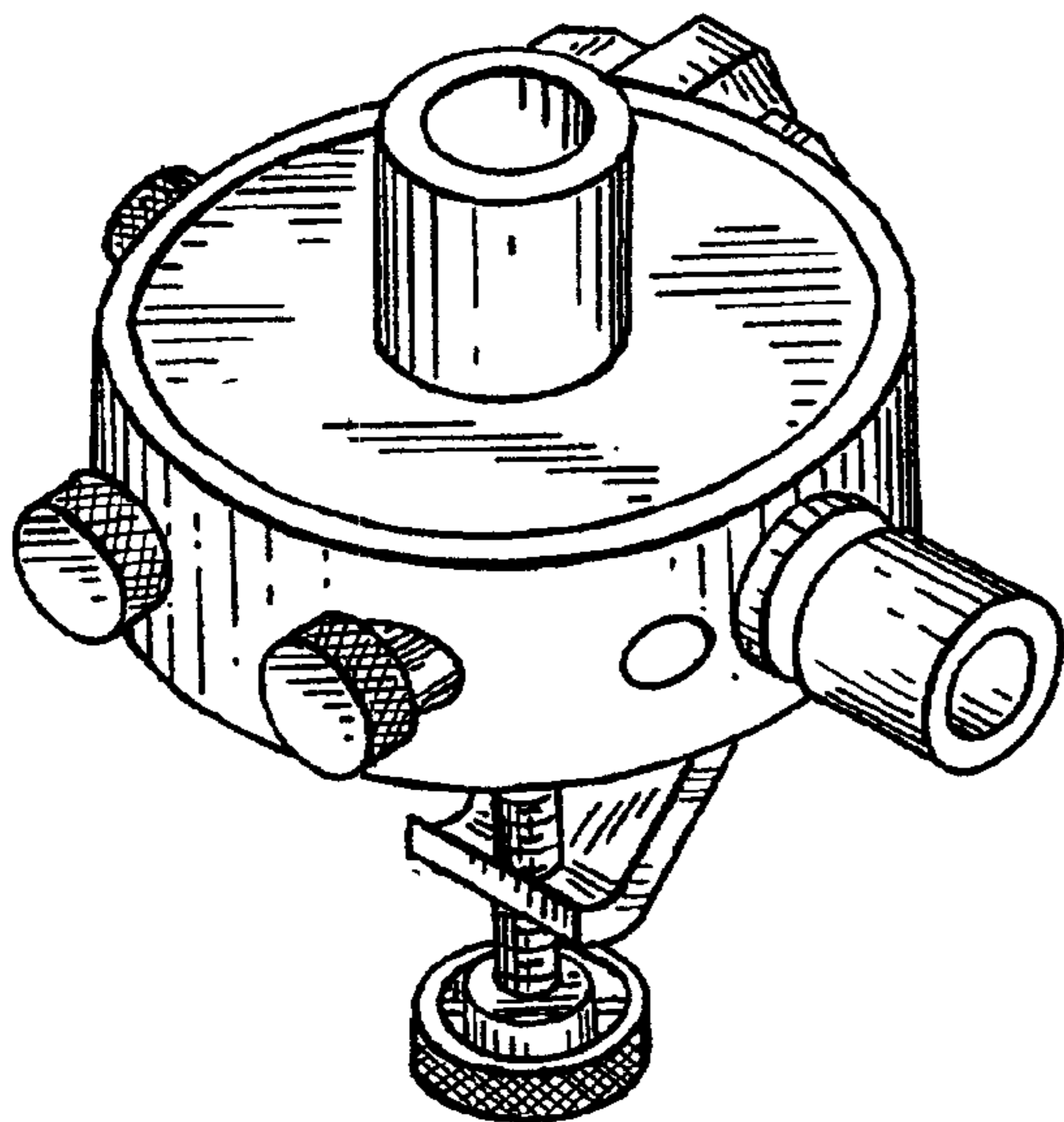


FIG. 1

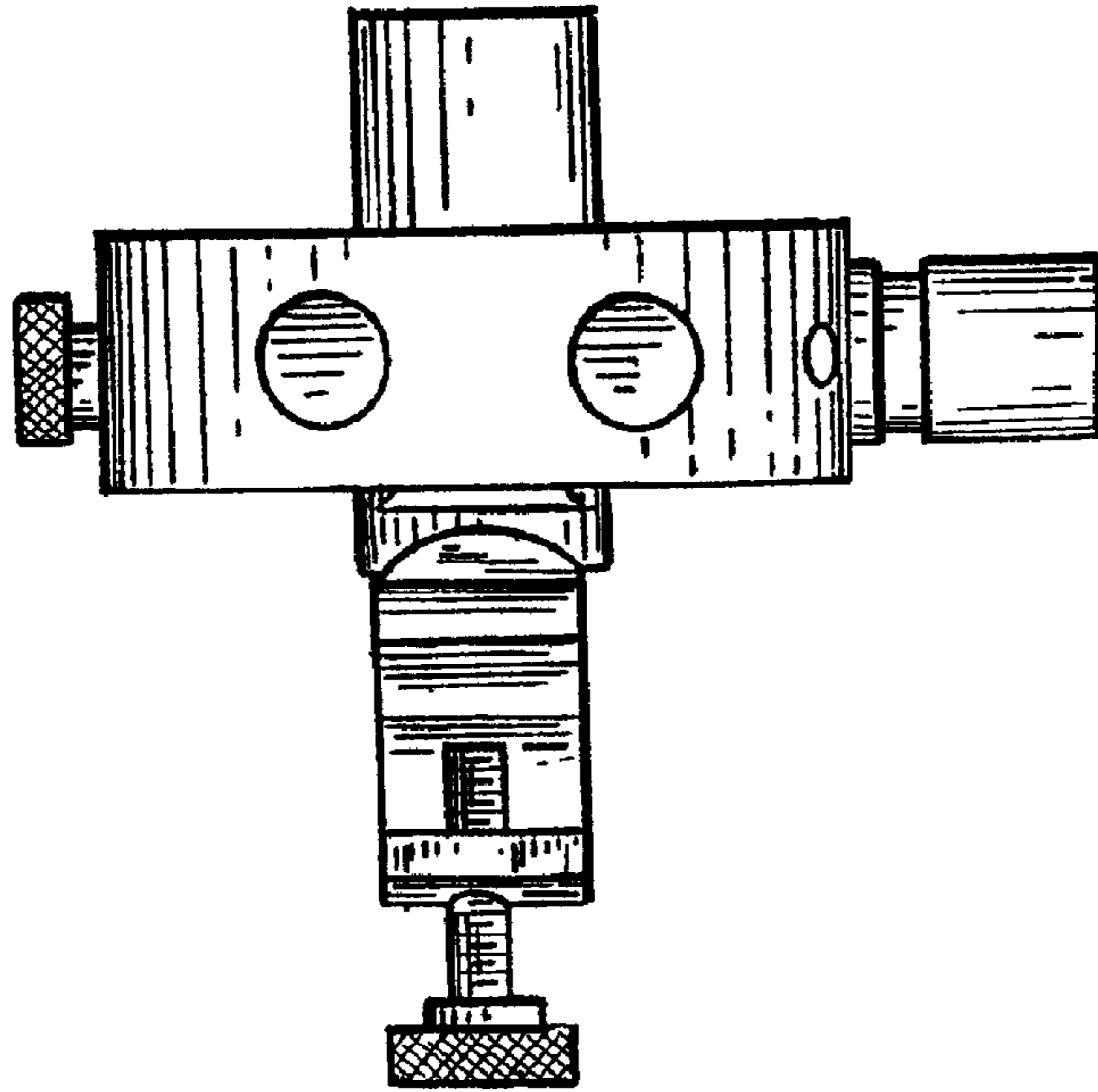


FIG. 2

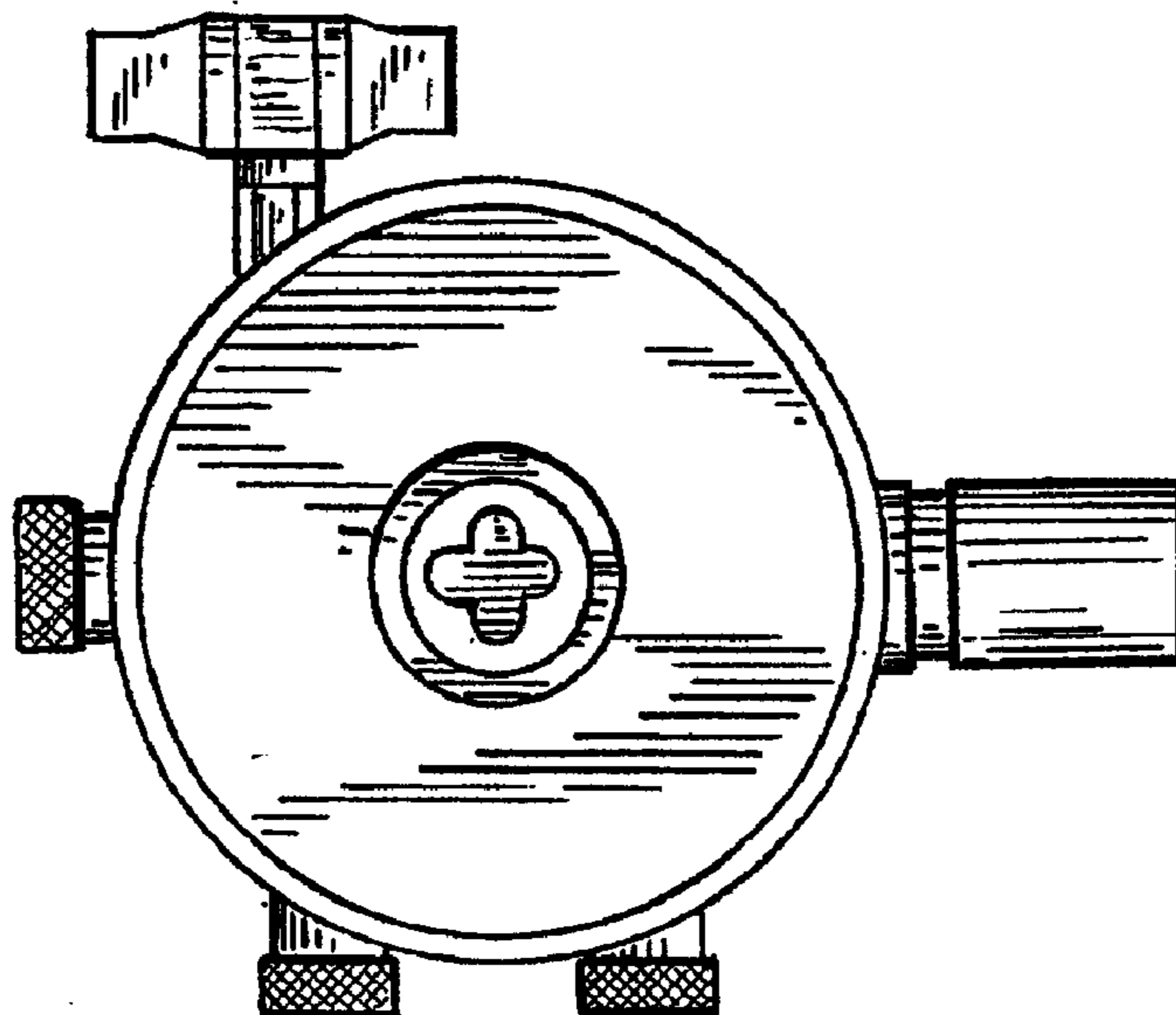


FIG. 3

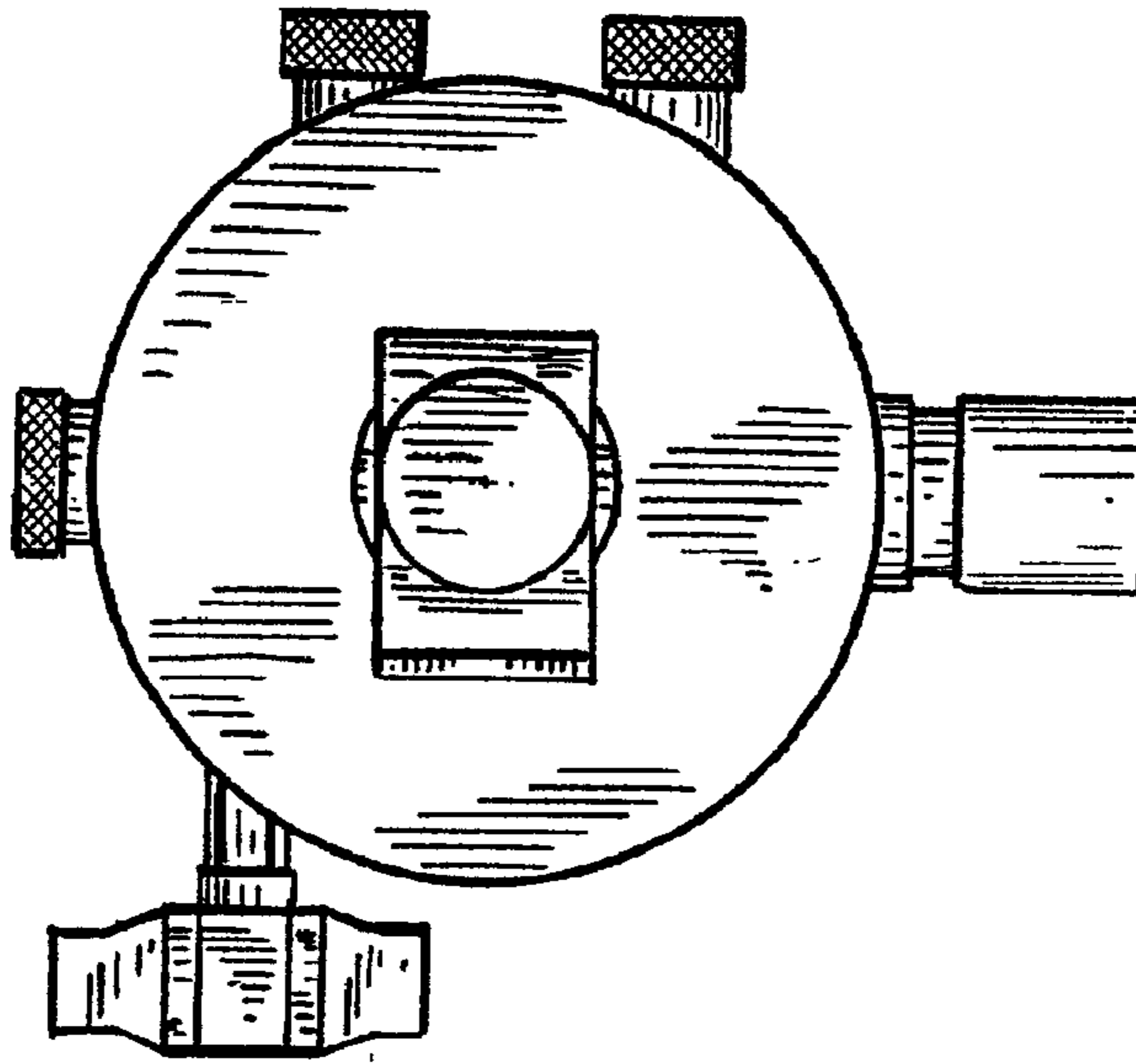


FIG. 4

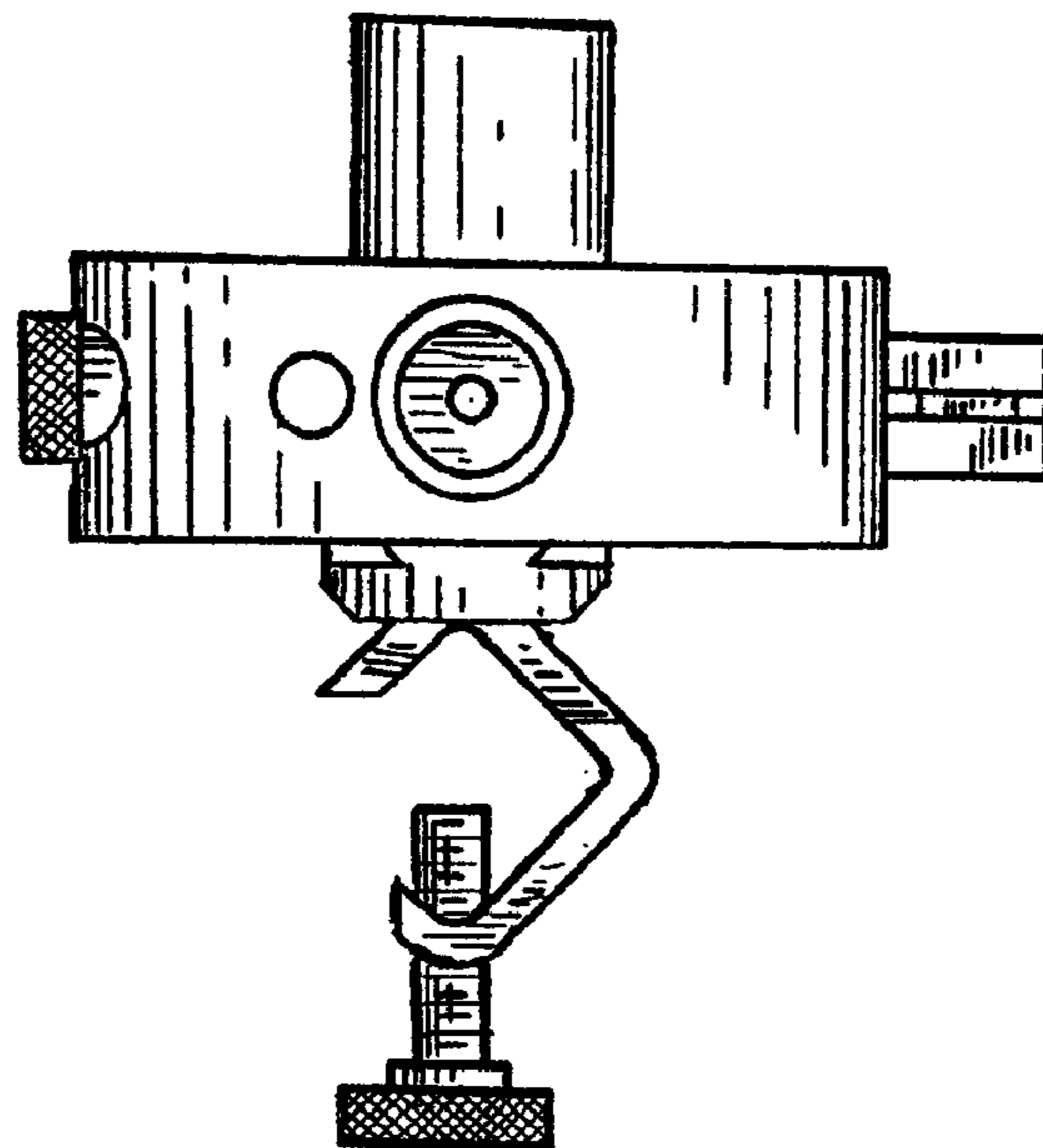
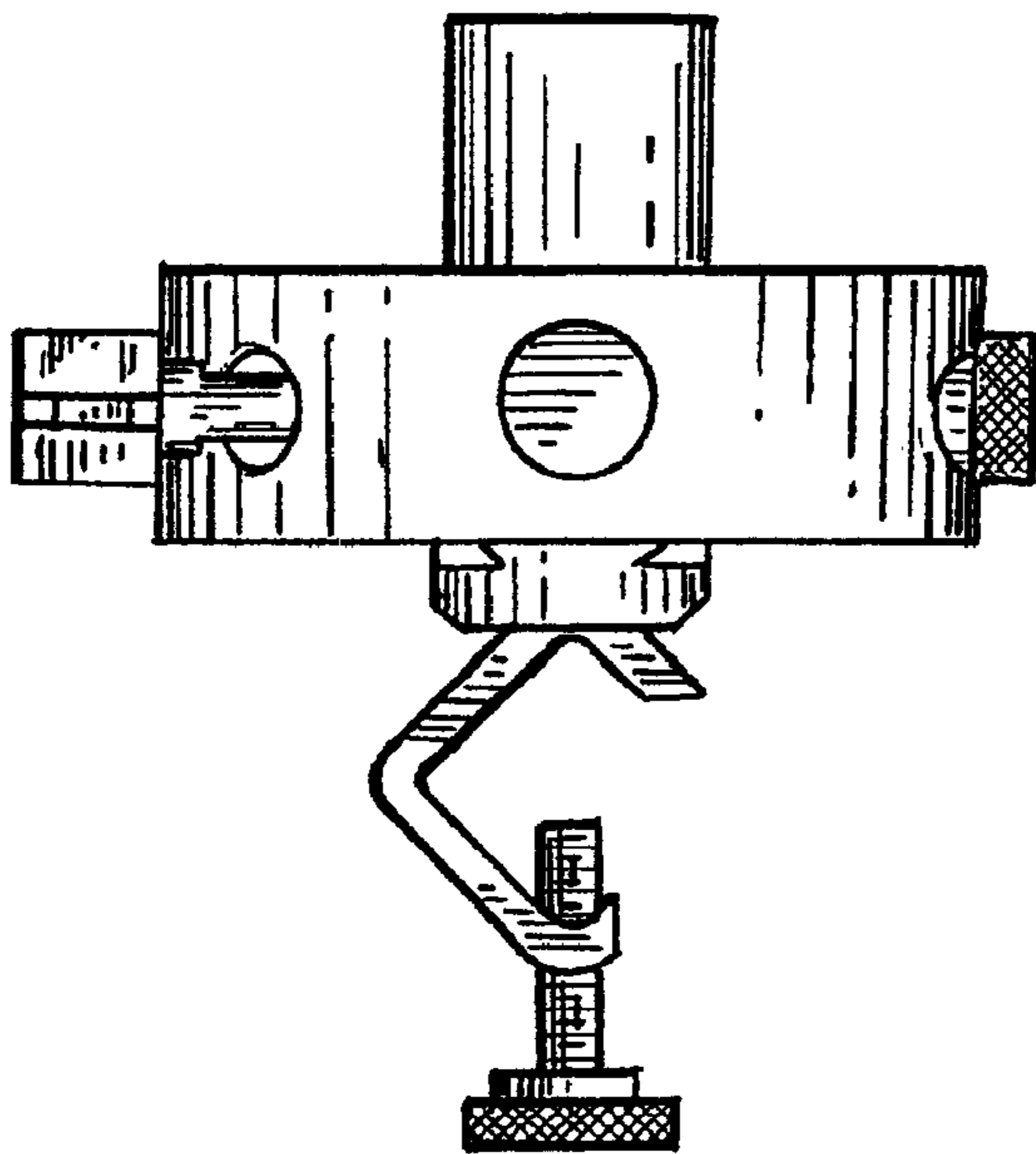


FIG. 5

FIG. 6

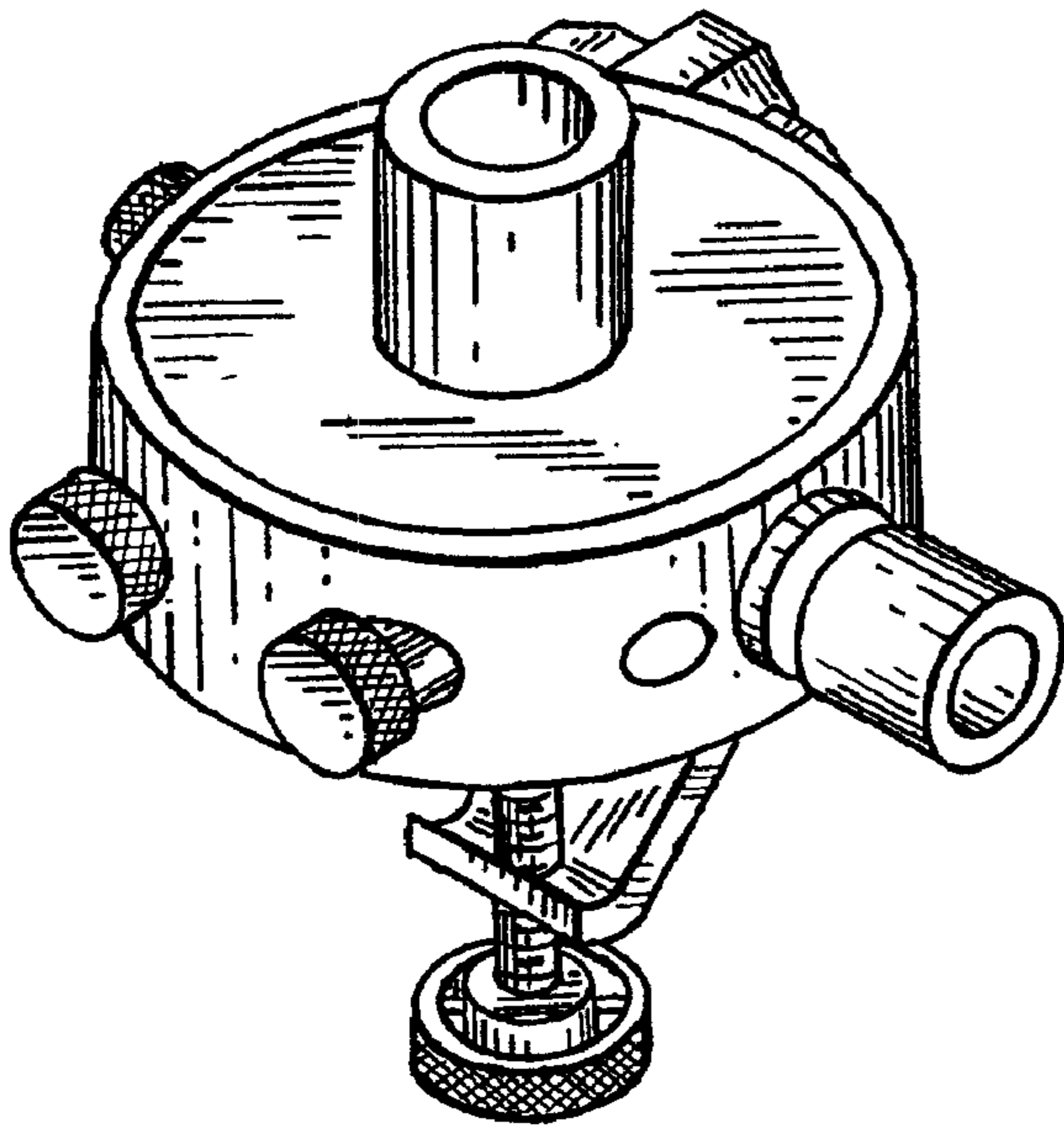
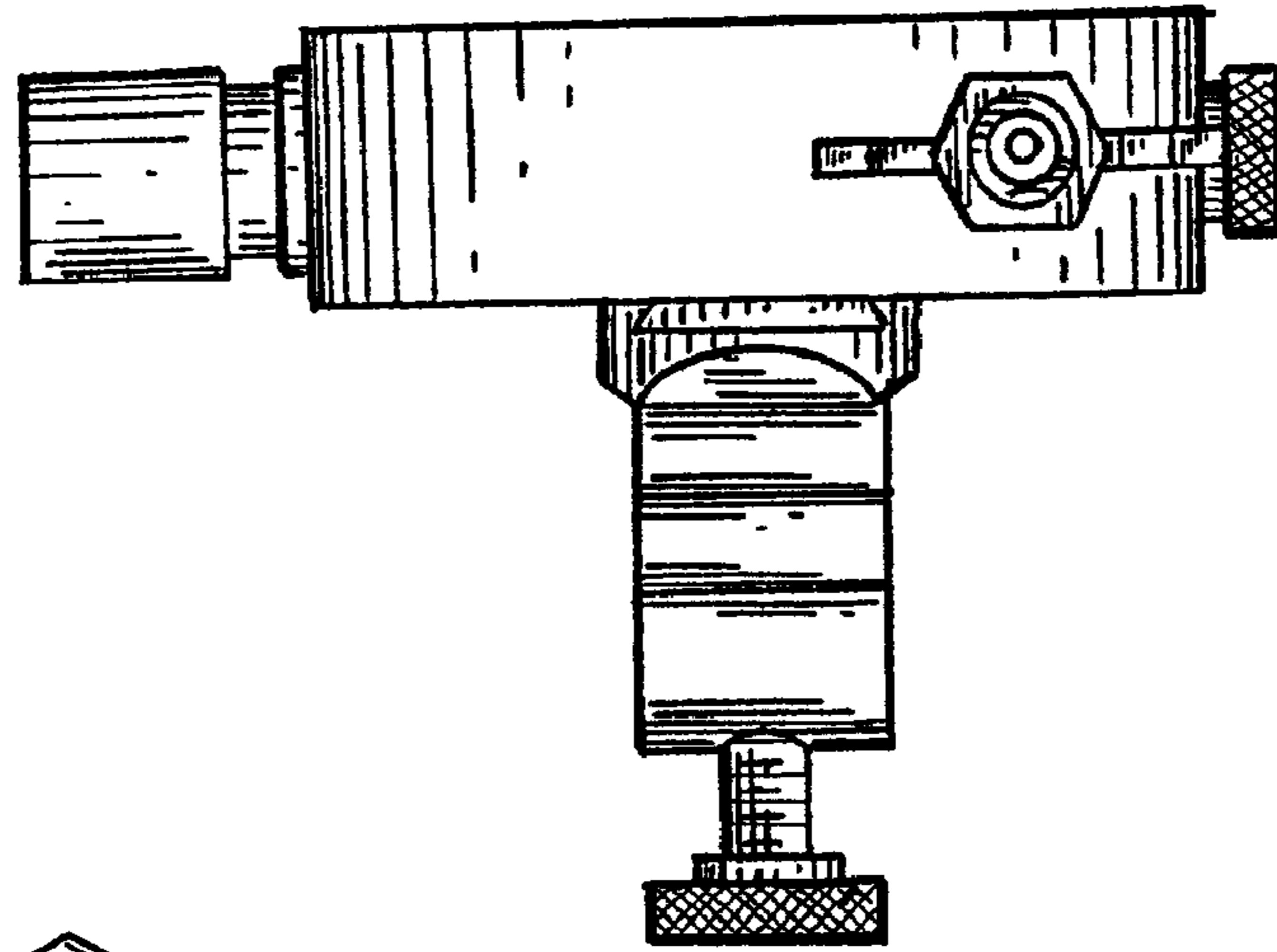


FIG. 7

FIG. 8

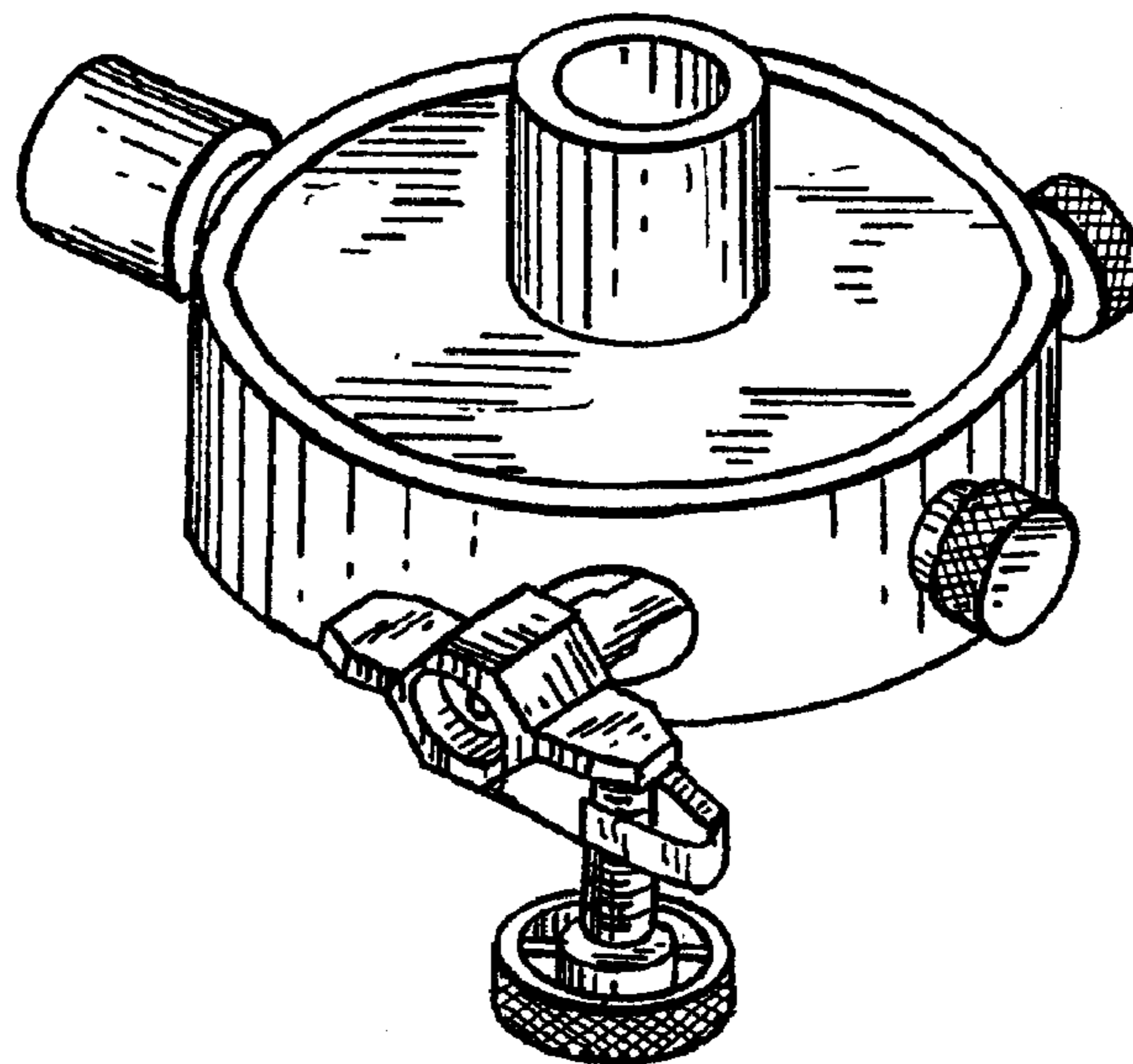


FIG. 9

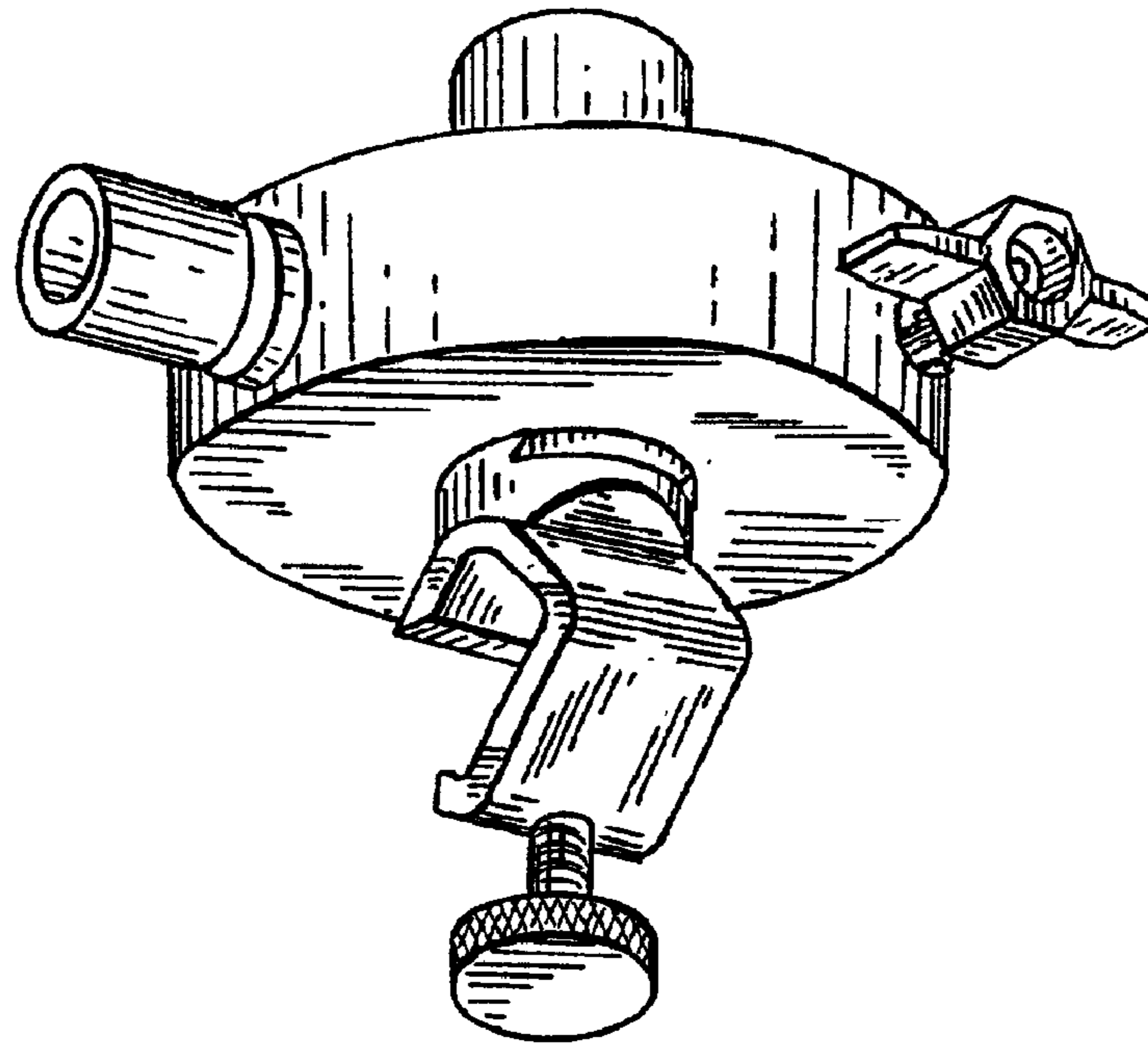


FIG. 10

