

US00D518169S

(12) **United States Design Patent**
Verbauwhede

(10) **Patent No.:** **US D518,169 S**

(45) **Date of Patent:** **** Mar. 28, 2006**

(54) **GAS BURNER**

(75) Inventor: **Hans Verbauwhede**, Zwevegem (BE)

(73) Assignee: **NV Bekaert SA**, Zwevegem (BE)

(**) Term: **14 Years**

(21) Appl. No.: **29/219,908**

(22) Filed: **Dec. 27, 2004**

(30) **Foreign Application Priority Data**

Jul. 9, 2004 (EM) 000200910

(51) **LOC (8) Cl.** **23-03**

(52) **U.S. Cl.** **D23/415**

(58) **Field of Classification Search** D23/403-406,
D23/409-410, 415-419, 499, 396-402, 343-347,
D23/350, 317, 342; D25/55, 59, 60; D7/332-335,
D7/339-340, 347-349, 653; D8/DIG. 4;
126/500, 540, 543-544, 547, 550, 555, 9 R,
126/9 A, 9 B, 39 R, 58, 245, 275 R; 52/36.3;
16/DIG. 11; 294/14

See application file for complete search history.

(56) **References Cited**

U.S. PATENT DOCUMENTS

2,789,877 A * 4/1957 Pfundt 312/312

D236,910 S * 9/1975 Oyler D7/347
D240,628 S * 7/1976 Kapustin D23/343
D252,405 S * 7/1979 Heine D23/343
D264,499 S * 5/1982 Lundy D23/350
D330,076 S * 10/1992 Evans D23/403
D359,115 S * 6/1995 Schroeter D23/343

* cited by examiner

Primary Examiner—Sandra S. Snapp

(74) *Attorney, Agent, or Firm*—Shlesinger, Arkwright & Garvey LLP

(57) **CLAIM**

The ornamental design for a gas burner, as shown and described.

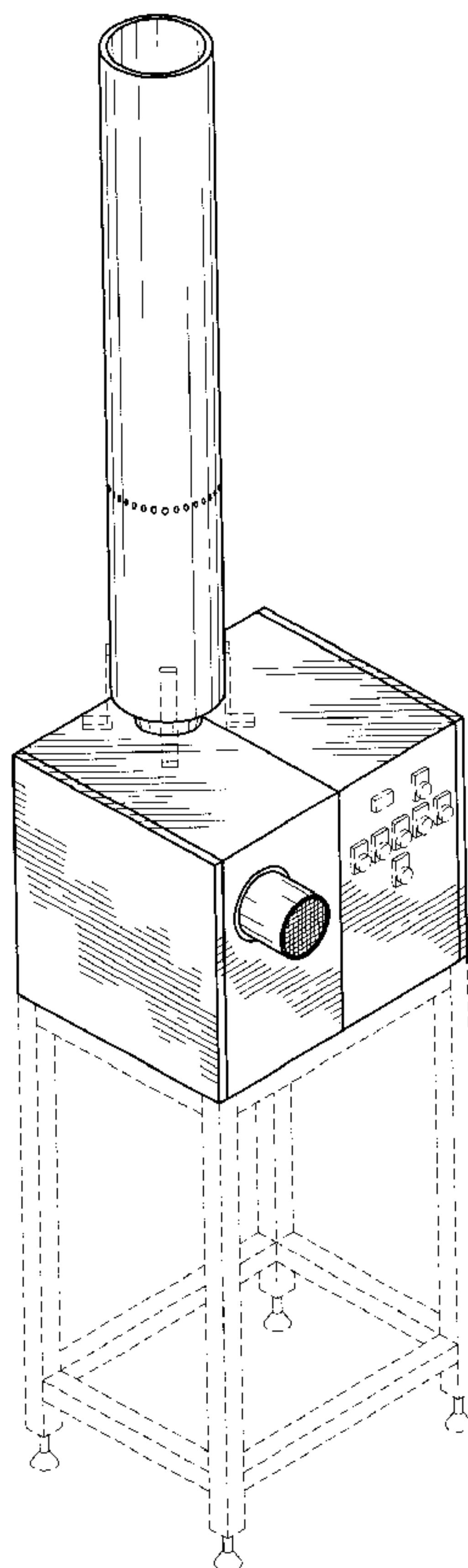
DESCRIPTION

FIG. 1 is a front perspective view of a gas burner, showing my new design; and,

FIG. 2 is a rear perspective view thereof.

The broken lines shown in the drawings are for illustrative purposes only and form no part of the claimed design.

1 Claim, 2 Drawing Sheets



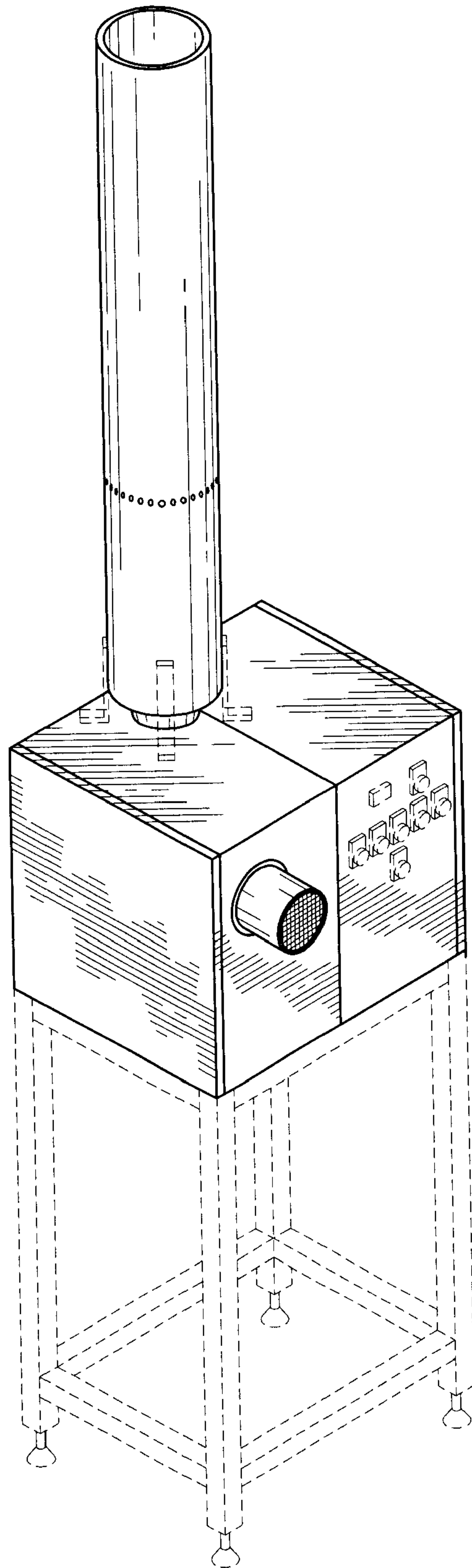


FIG. 1

FIG. 2

