



US00D518167S

(12) **United States Design Patent**  
**Young**

(10) **Patent No.:** **US D518,167 S**  
(45) **Date of Patent:** **\*\* Mar. 28, 2006**

(54) **PORTION OF A CEILING FAN HOUSING**

(75) Inventor: **Stanfield Young**, Los Alamitos, CA  
(US)

(73) Assignee: **Minka Lighting, Inc.**, Corona, CA  
(US)

(\*\*) Term: **14 Years**

(21) Appl. No.: **29/227,250**

(22) Filed: **Apr. 8, 2005**

(51) **LOC (8) Cl.** ..... **23-04**

(52) **U.S. Cl.** ..... **D23/411**

(58) **Field of Classification Search** ..... D23/377,  
D23/379, 385, 411, 413; 416/5; D26/59,  
D26/72, 51, 81-88; 362/96

See application file for complete search history.

(56) **References Cited**

**U.S. PATENT DOCUMENTS**

D471,269 S	*	3/2003	Gajewski	.....	D23/377
D473,639 S	*	4/2003	Gajewski	.....	D23/411
D475,776 S	*	6/2003	Gajewski	.....	D23/377
D481,450 S	*	10/2003	Young	.....	D23/377
D481,454 S	*	10/2003	Young	.....	D23/411

**OTHER PUBLICATIONS**

Minka Lighting, Inc.; MinkaAire 2005 catalog; Jan. 2005; pp. 34-35; Minka Lighting, Inc.; U.S.A.  
Artemide Internet Catalog; Creonte Suspension; printed from www.artemide.us on May 19, 2005.

\* cited by examiner

*Primary Examiner*—Lisa Lichtenstein

(74) *Attorney, Agent, or Firm*—Baker & McKenzie LLP

(57) **CLAIM**

The ornamental design for a portion of a ceiling fan housing, as shown and described.

**DESCRIPTION**

FIG. 1 is a perspective view from below of a portion of a ceiling fan housing in accordance with my design;

FIG. 2 is a reduced bottom plan view of the portion of a ceiling fan housing in accordance with my design;

FIG. 3 is a reduced top plan view of the portion of a ceiling fan housing in accordance with my design;

FIG. 4 is a front elevation view of the portion of a ceiling fan housing in accordance with my design;

FIG. 5 is a rear elevation view of the portion of a ceiling fan housing in accordance with my design;

FIG. 6 is a side elevation view of the portion of a ceiling fan housing in accordance with my design; and,

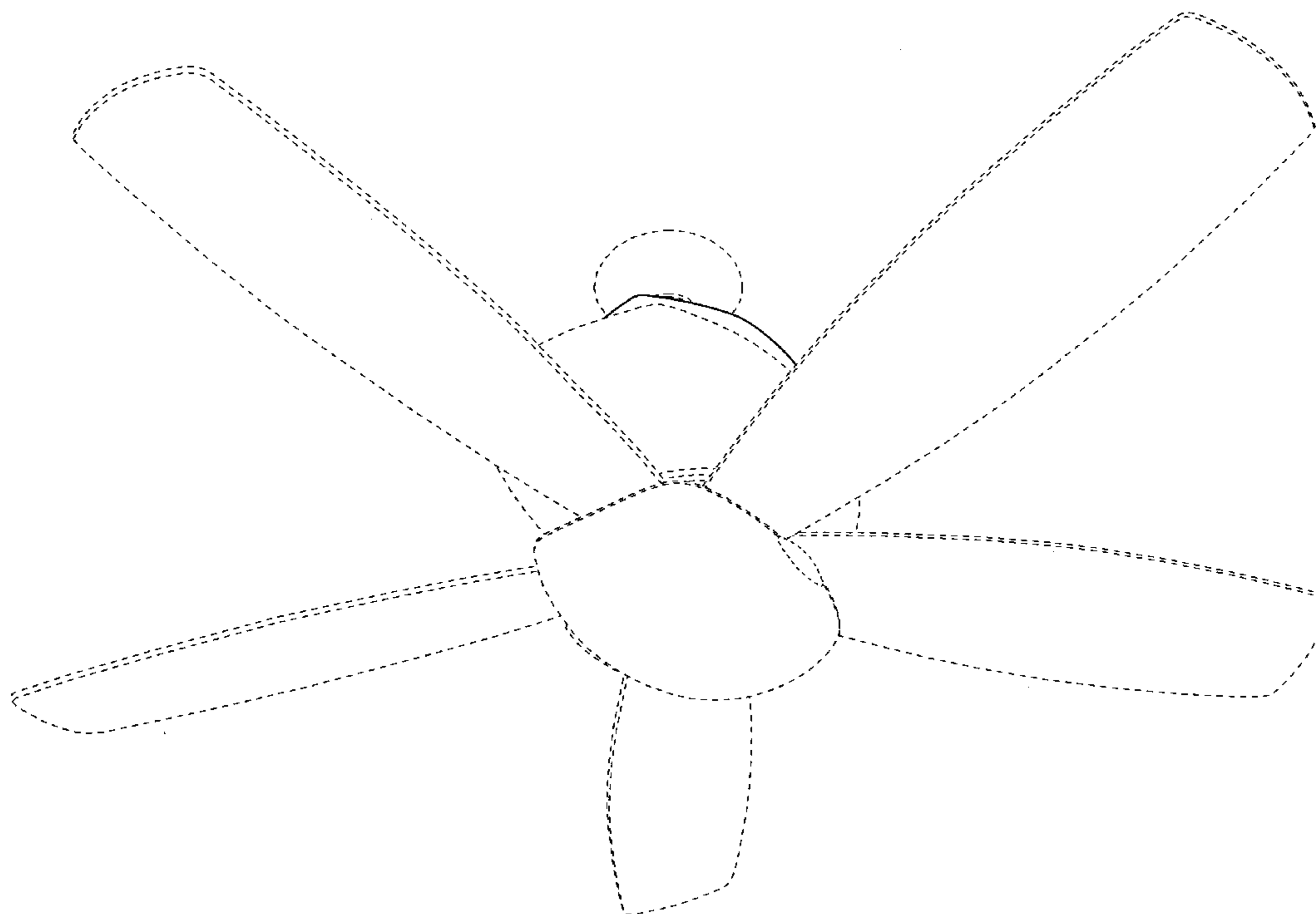
FIG. 7 is a side elevation view of the portion of a ceiling fan housing in accordance with my design.

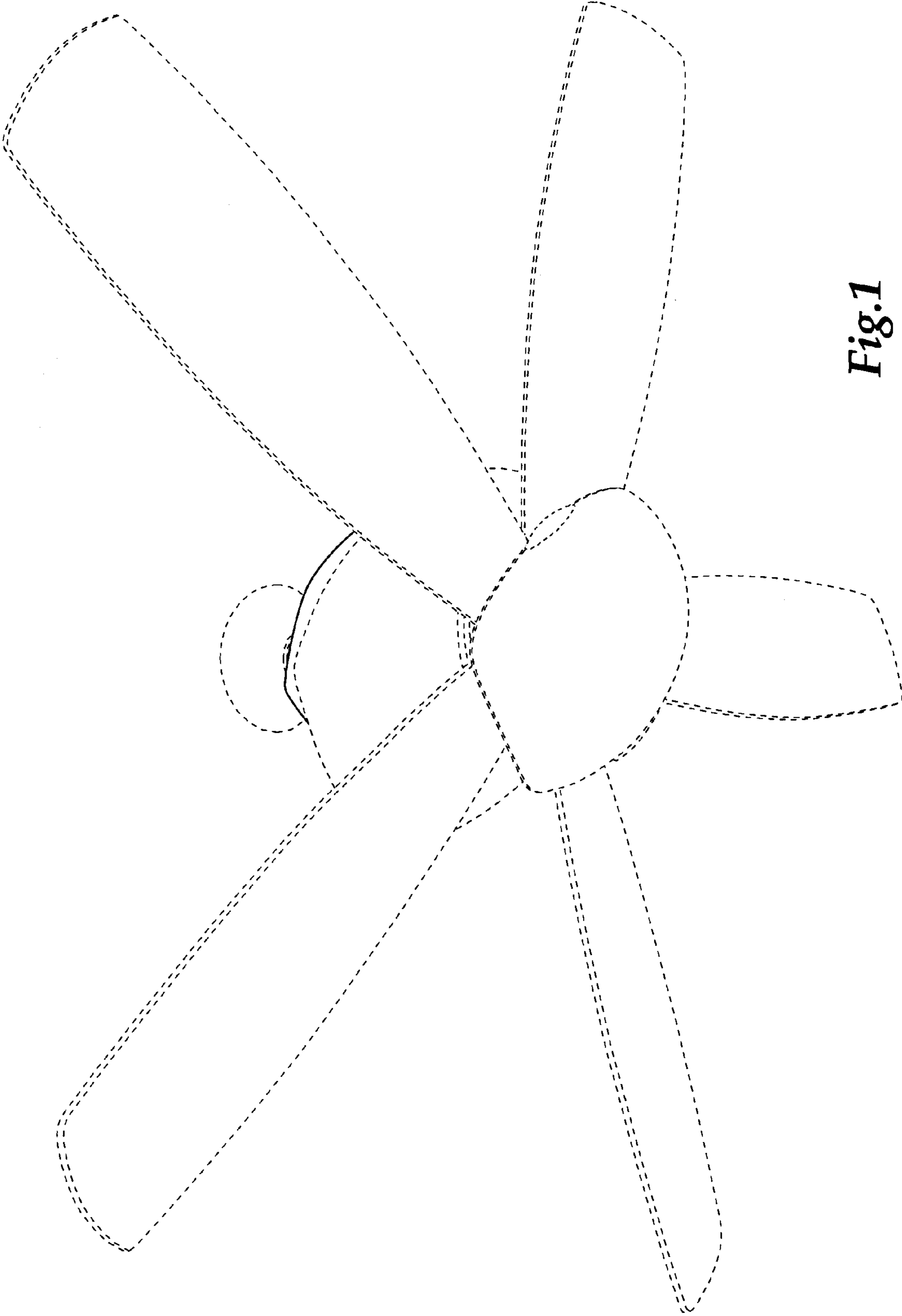
FIGS. 4 and 5 are identical except for the positioning of the fan blades.

FIGS. 6 and 7 are identical except for the positioning of the fan blades.

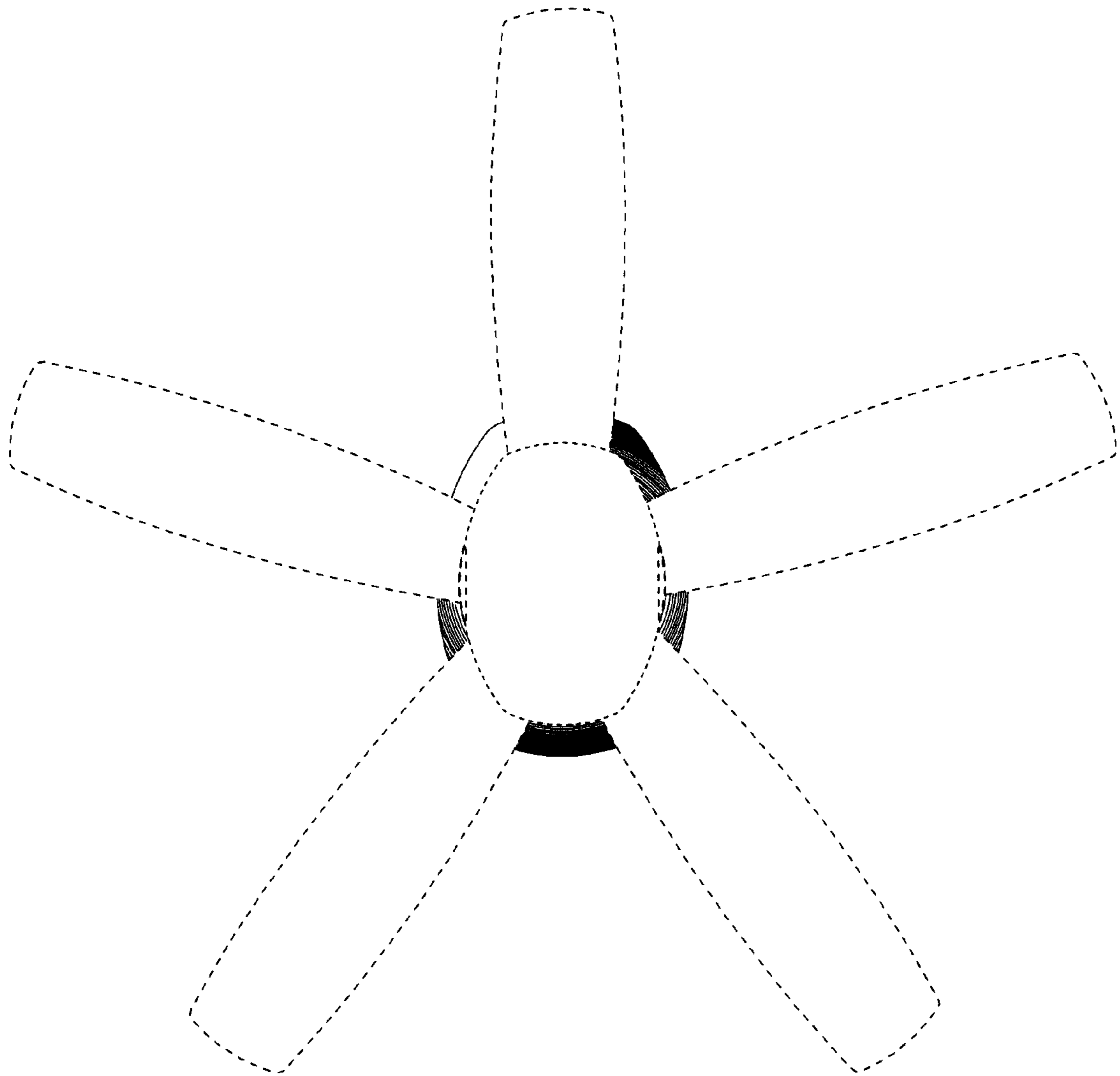
The broken lines showing environmental structure are for illustrative purposes and form no part of the claimed design.

**1 Claim, 7 Drawing Sheets**

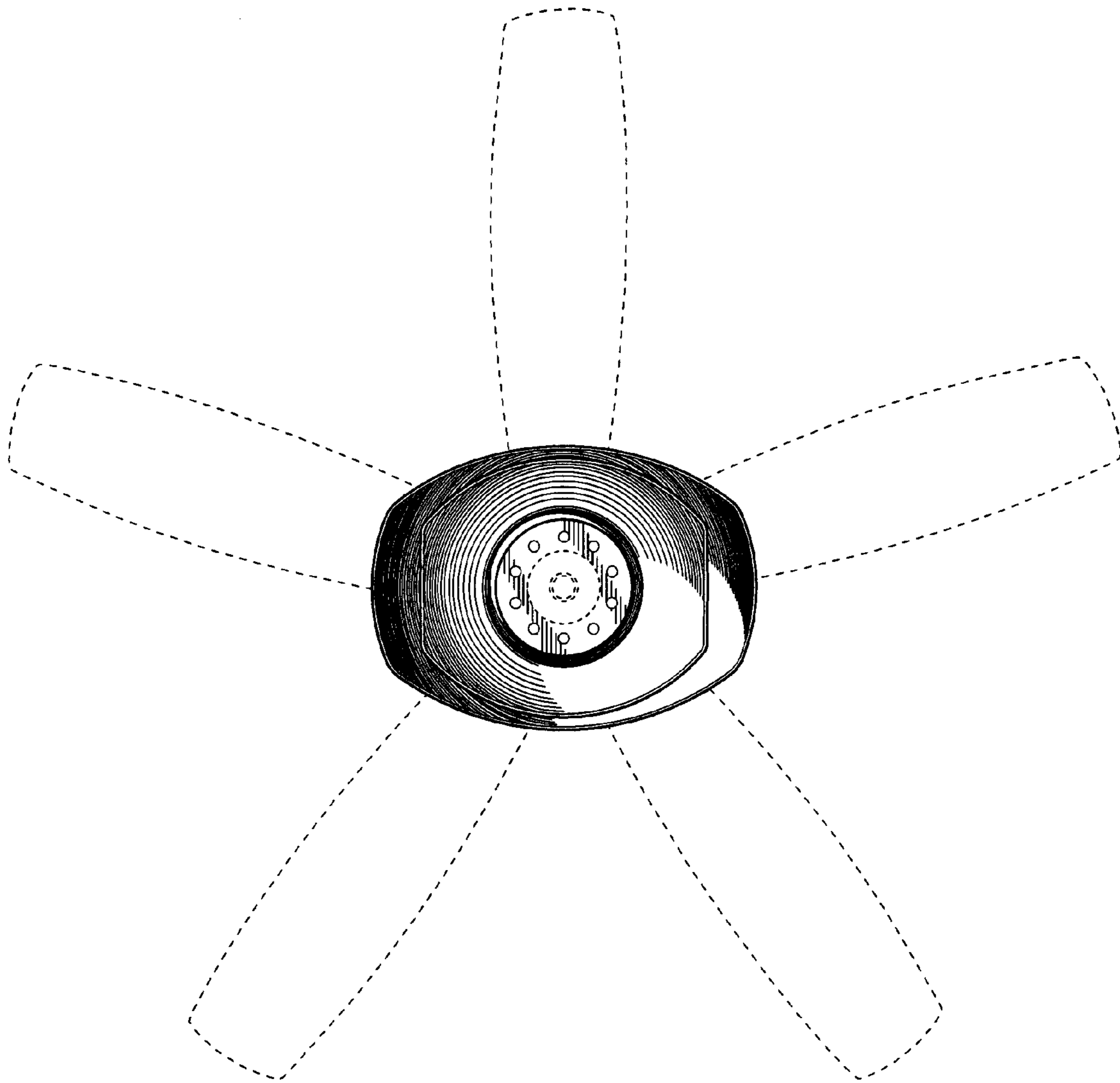




*Fig. 1*



*Fig.2*



*Fig.3*

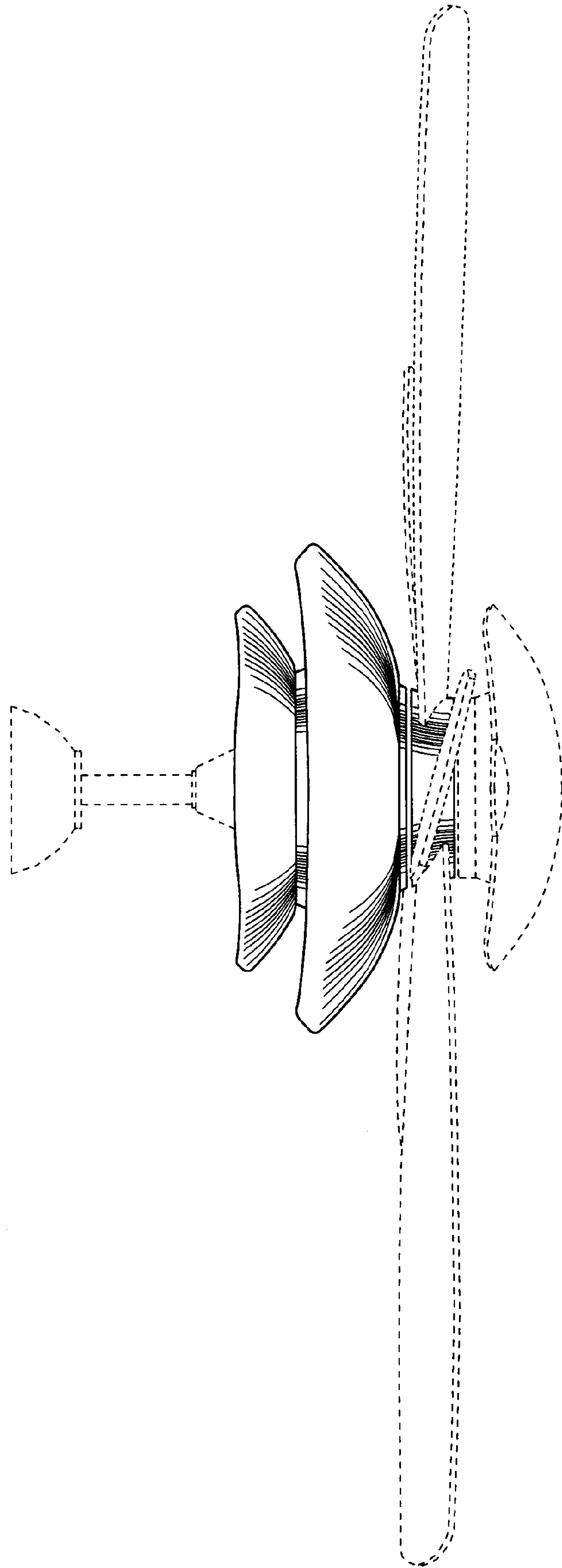


Fig. 4

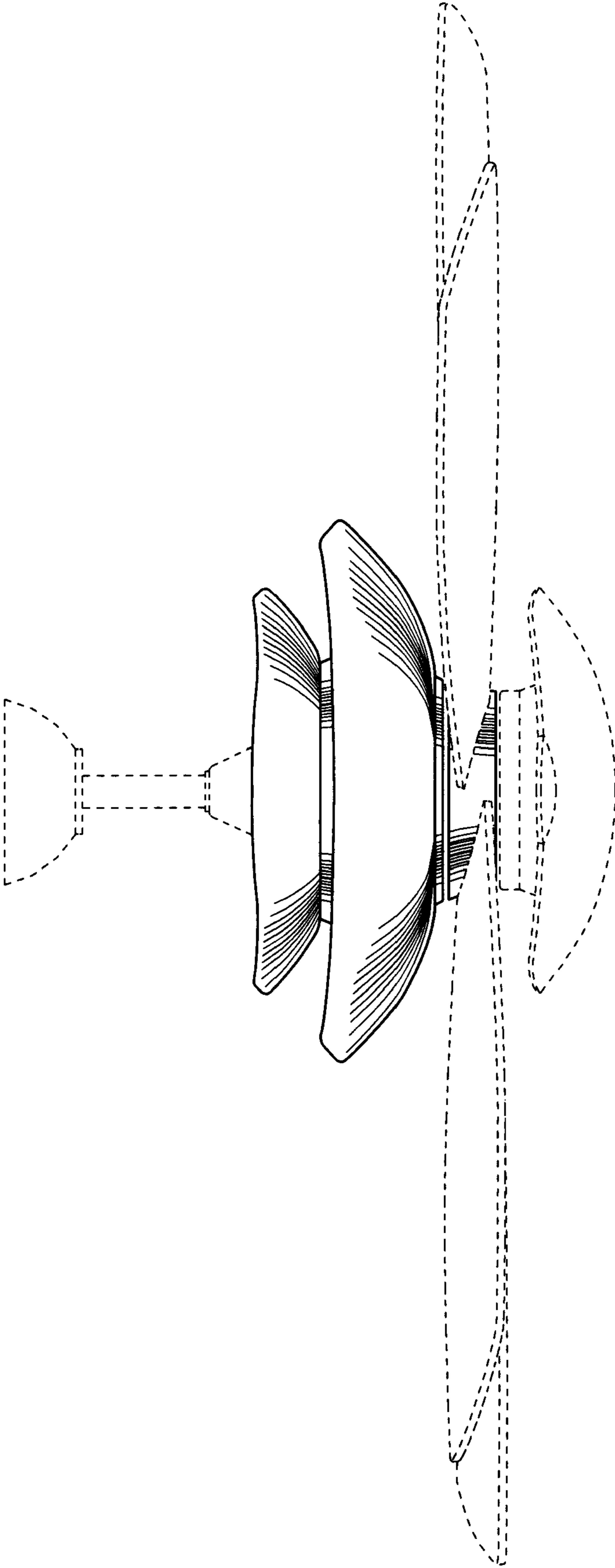


Fig.5

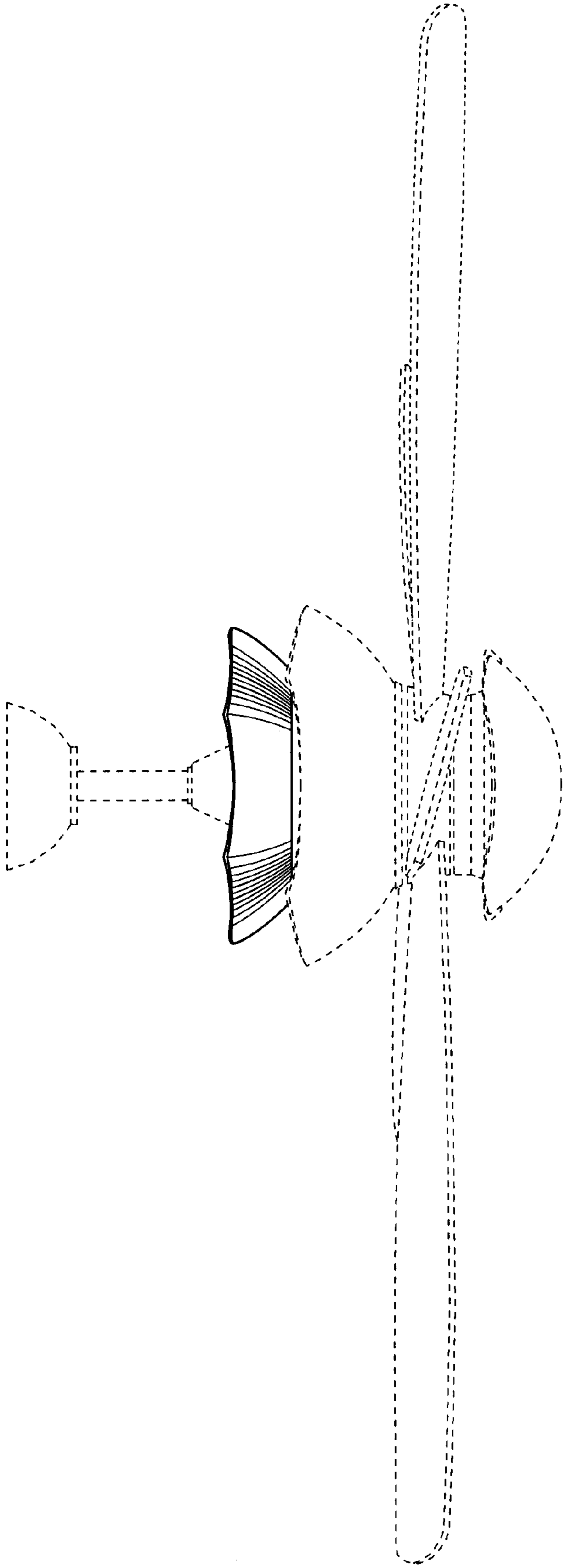


Fig.6

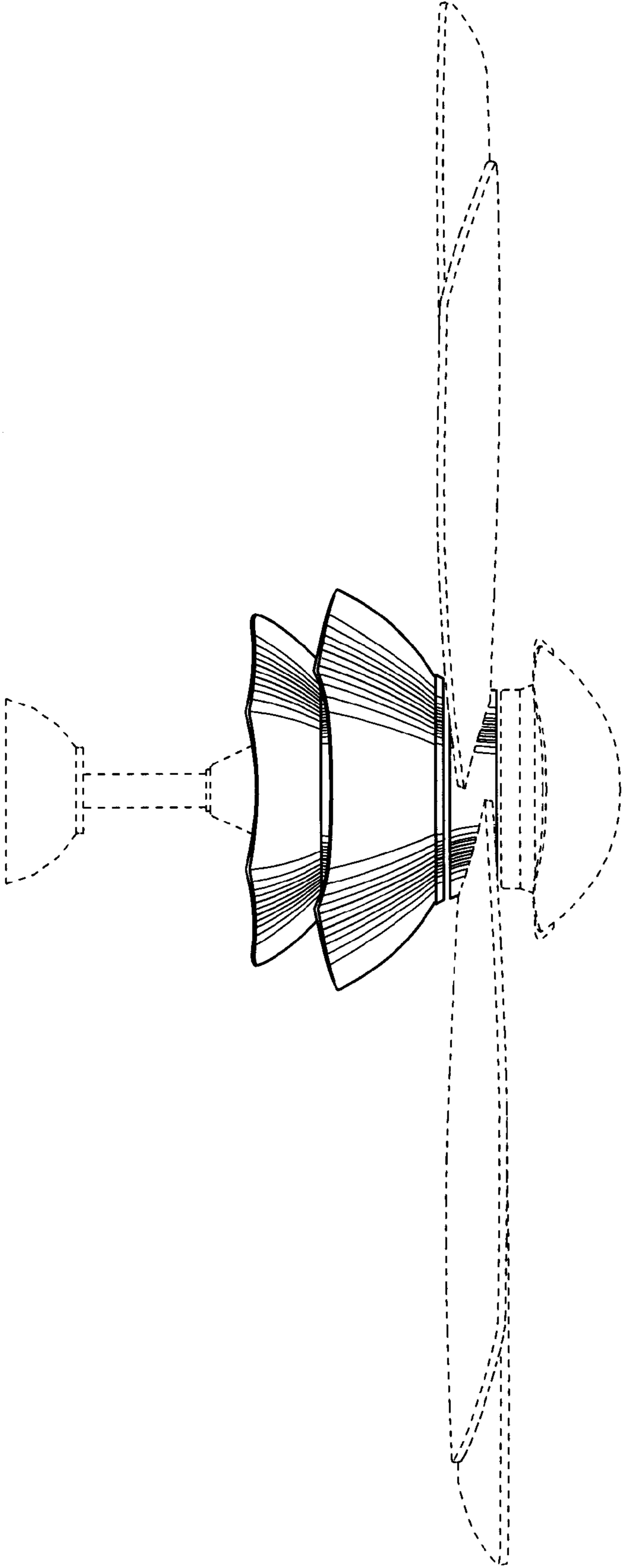


Fig. 7



UNITED STATES PATENT AND TRADEMARK OFFICE  
**CERTIFICATE OF CORRECTION**

PATENT NO. : Des. 518,167 S  
APPLICATION NO. : 29/227250  
DATED : March 28, 2006  
INVENTOR(S) : Stanfield Young

Page 1 of 3

It is certified that error appears in the above-identified patent and that said Letters Patent is hereby corrected as shown below:

Please delete Sheet 1 of 7 (Fig. 1) and replace with the attached Sheet 1 of 7 (Fig. 1)

Please delete Sheet 6 of 7 (Fig. 6) and replace with the attached Sheet 6 of 7 (Fig. 6)

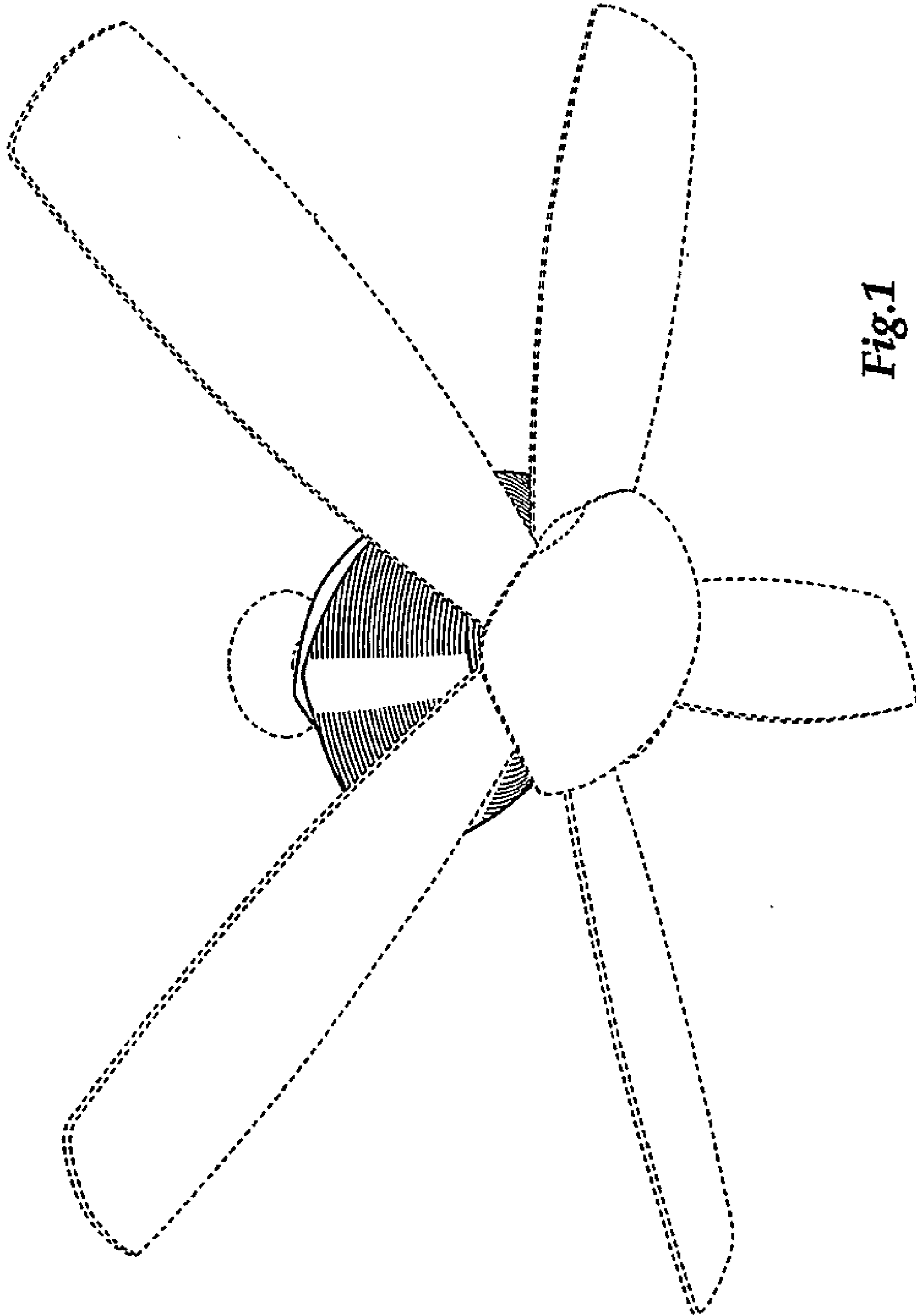
Signed and Sealed this

Twenty-sixth Day of December, 2006

A handwritten signature in black ink on a light gray dotted background. The signature reads "Jon W. Dudas" in a cursive style.

JON W. DUDAS

*Director of the United States Patent and Trademark Office*



*Fig. 1*

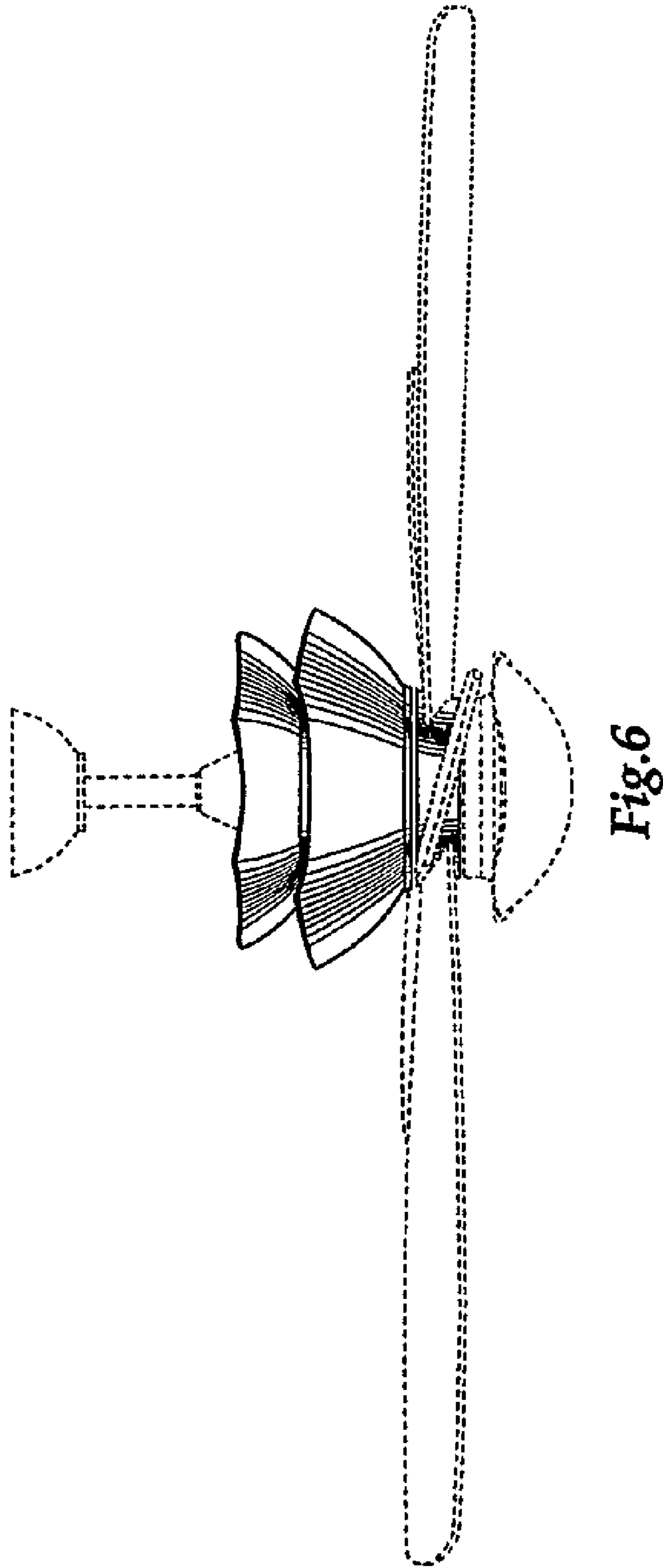


Fig. 6