



US00D518166S

(12) **United States Design Patent**
Frampton et al.

(10) **Patent No.:** **US D518,166 S**

(45) **Date of Patent:** **** Mar. 28, 2006**

(54) **MOTOR HOUSING FOR A FAN ASSEMBLY**

(74) *Attorney, Agent, or Firm*—Maginot, Moore & Beck

(75) Inventors: **Thomas C. Frampton**, Zionsville, IN (US); **Tania N. Frampton**, Zionsville, IN (US)

(57) **CLAIM**

The ornamental design for a motor housing for a fan assembly, as shown and described.

(73) Assignee: **Fanimation, Inc.**, Zionsville, IN (US)

(**) Term: **14 Years**

DESCRIPTION

(21) Appl. No.: **29/220,903**

FIG. 1 is a perspective view of a motor housing for a fan assembly showing our new design in use;

(22) Filed: **Jan. 7, 2005**

(51) **LOC (8) Cl.** **23-04**

(52) **U.S. Cl.** **D23/411**

(58) **Field of Classification Search** D23/377,
D23/379, 385, 411; 416/5

FIG. 2 is an enlarged front elevational view showing the design for the motor housing of FIG. 1 (note that due to the symmetry of the design, FIG. 2 is also (i) a rear elevational view showing the design for the motor housing of FIG. 1, (ii) a left side elevational view showing the design for the motor housing of FIG. 1, and (iii) a right side elevational view showing the design for the motor housing of FIG. 1);

See application file for complete search history.

FIG. 3 is an enlarged top plan view showing the design for the motor housing of FIG. 1; and,

(56) **References Cited**

U.S. PATENT DOCUMENTS

D311,247 S	10/1990	Sonneman
D312,305 S	11/1990	Weatherford
D312,689 S	12/1990	Weatherford
D345,206 S	3/1994	DiPasquale
D346,651 S	5/1994	DiPasquale
D346,859 S	5/1994	DiPasquale
D347,685 S	6/1994	DiPasquale
D349,337 S	8/1994	Tsuji
D352,997 S	11/1994	DiPasquale
D377,084 S	12/1996	DiPasquale
D403,061 S	12/1998	Jaspers-Fayer et al.

FIG. 4 is an enlarged bottom plan view showing the design for the motor housing of FIG. 1.

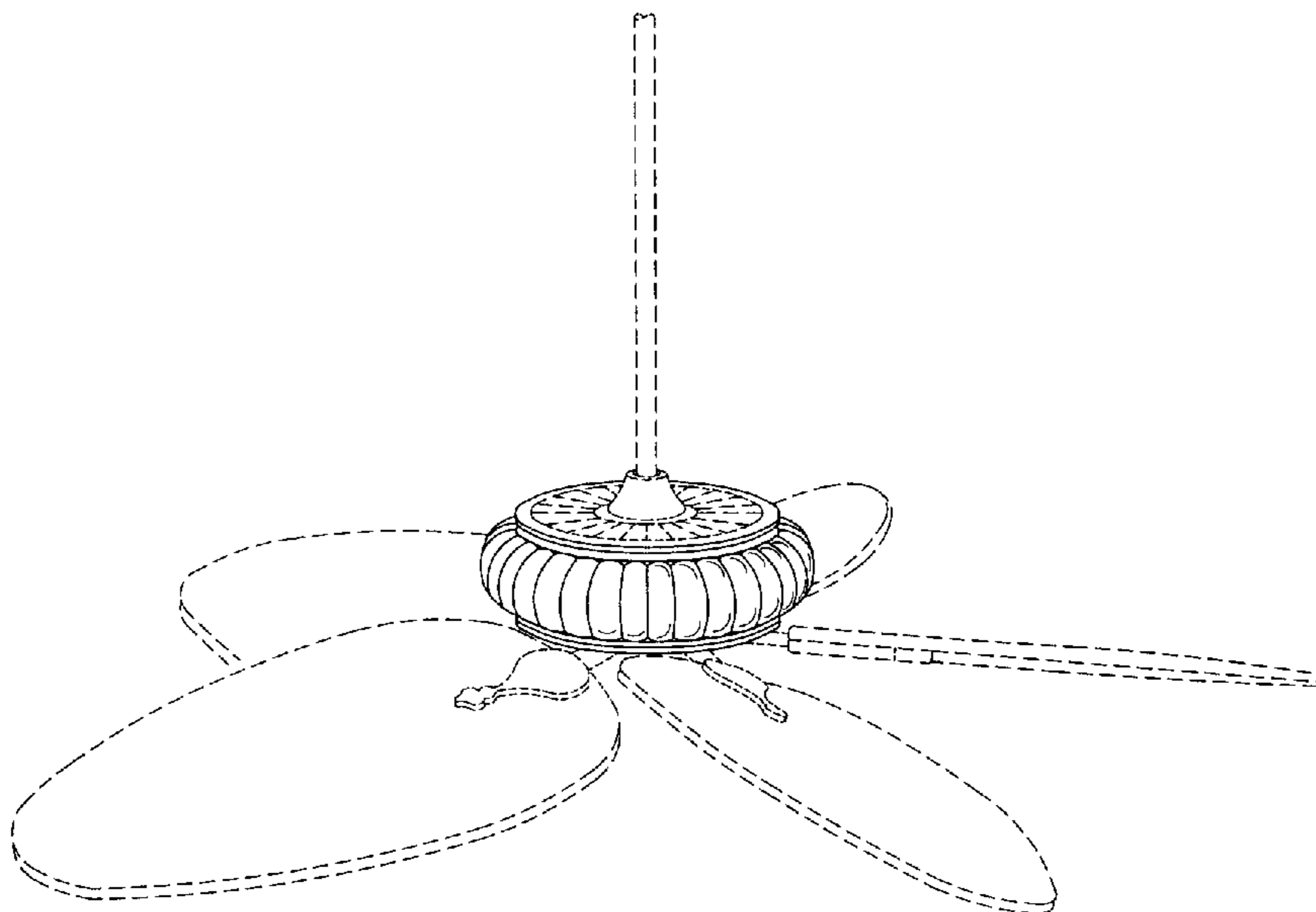
OTHER PUBLICATIONS

2002 Fanimation, Inc. catalog, Published at least as early as 2002, forty (40) pages.

In FIGS. 1–4, the broken line showing of various items including (i) the fan blades and associated mounting apparatus (FIG. 1), (ii) the central vertical support member (FIGS. 1–3), (iii) the venting apertures and associated features at the top of the motor housing (FIG. 3), and (iv) the venting apertures and associated features at the bottom of the motor housing (FIG. 4) is for illustrative purposes only and forms no part of the claimed design.

Primary Examiner—Lisa Lichtenstein

1 Claim, 4 Drawing Sheets



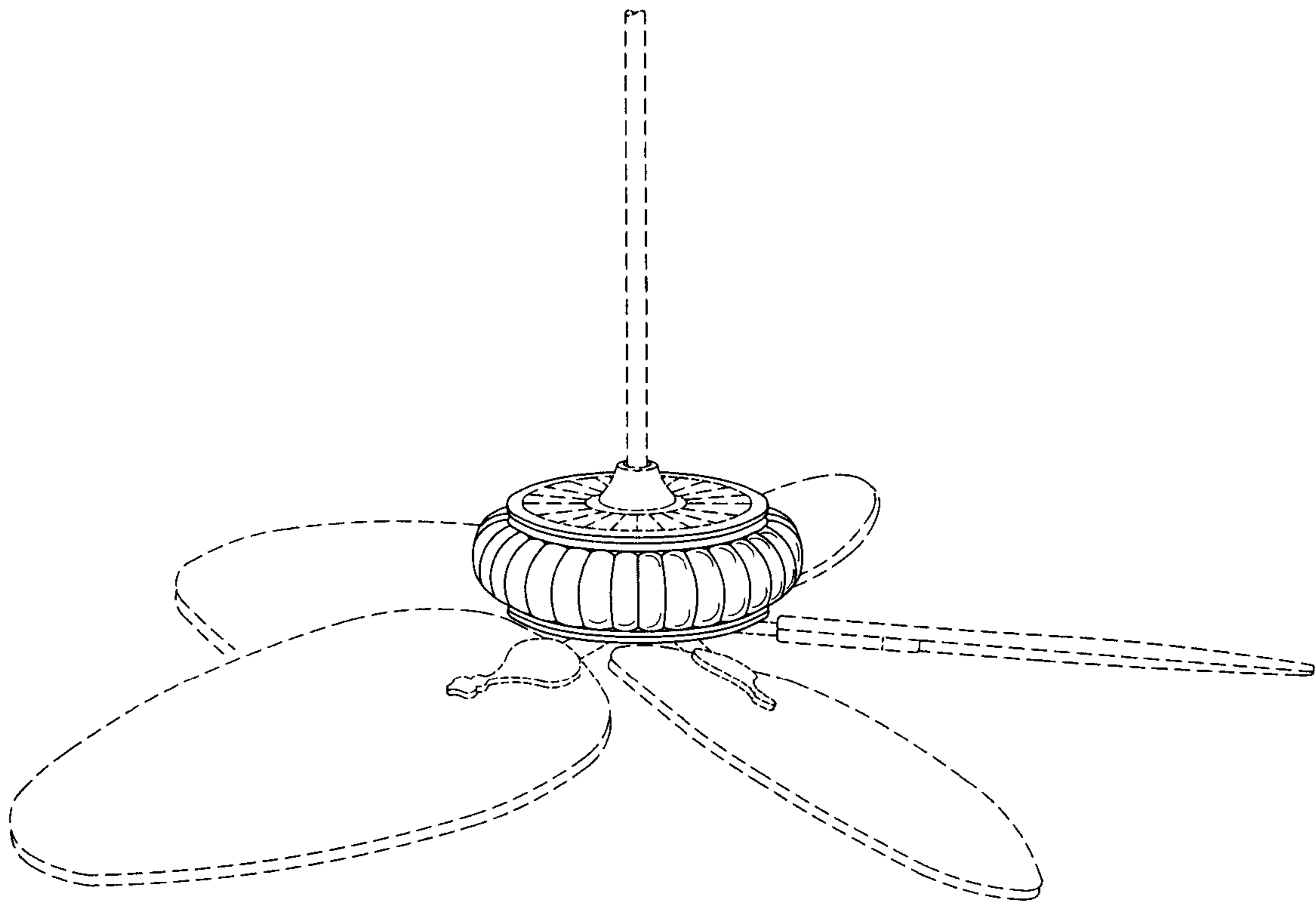


Fig. 1

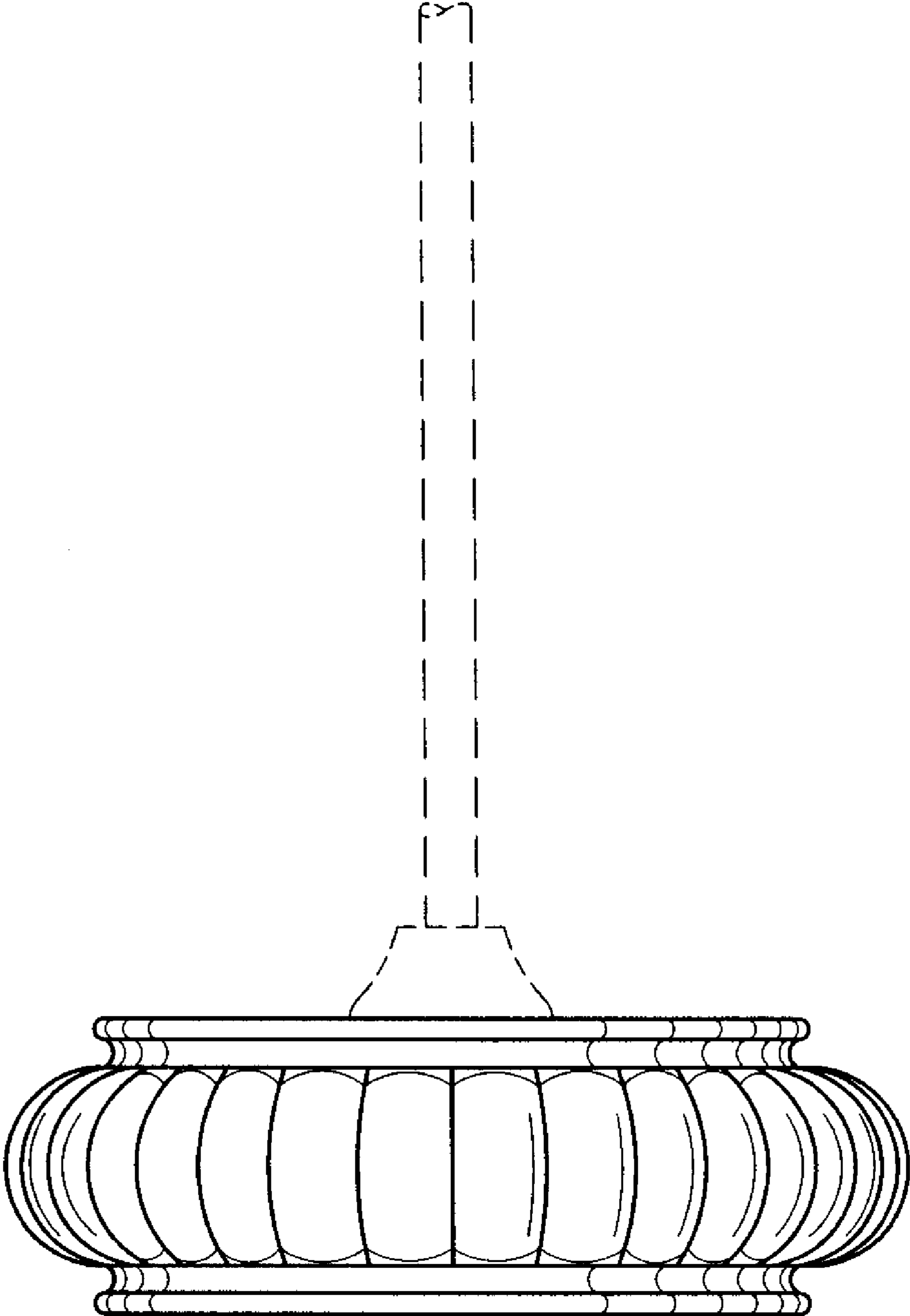


Fig. 2

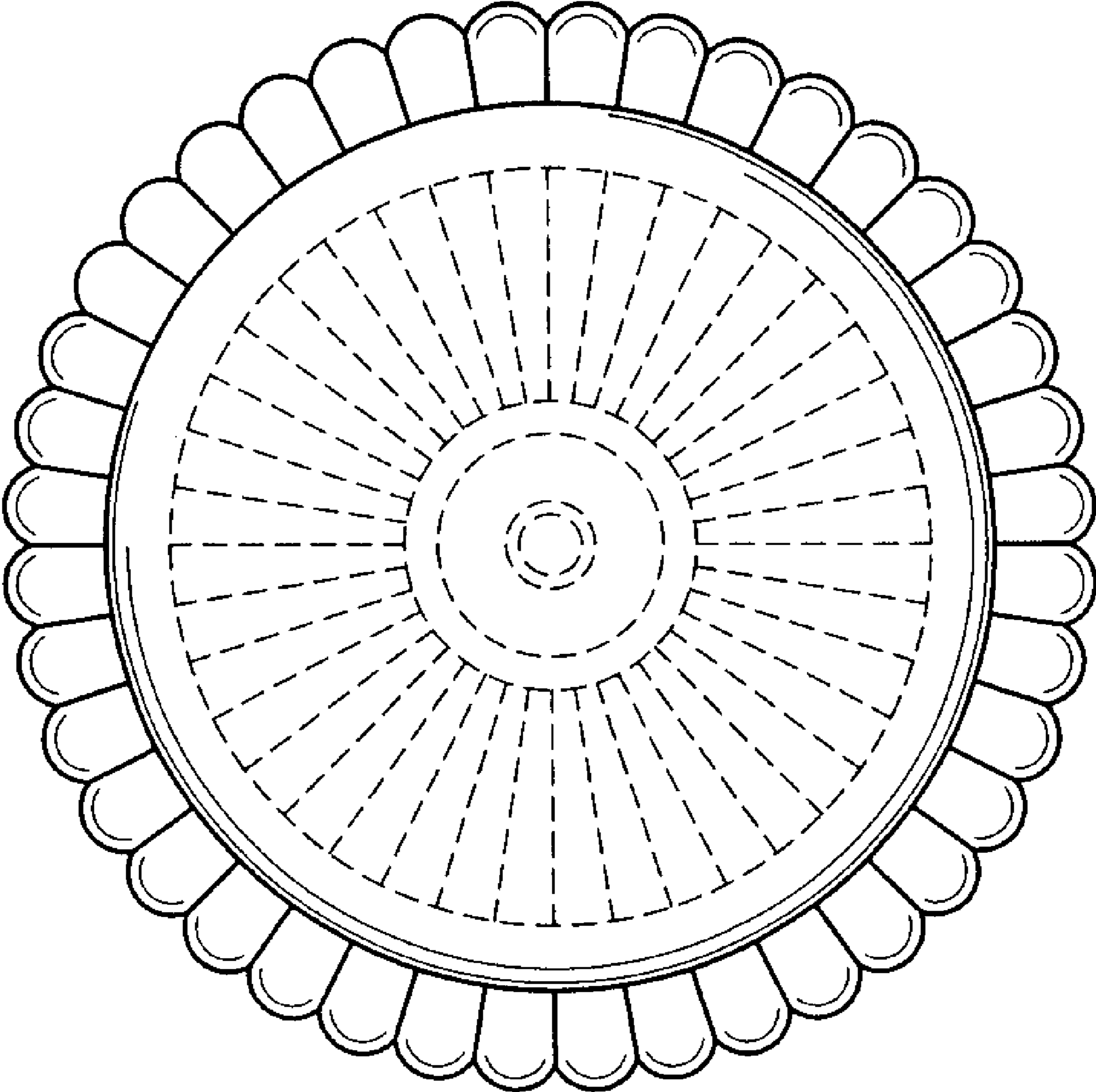


Fig. 3

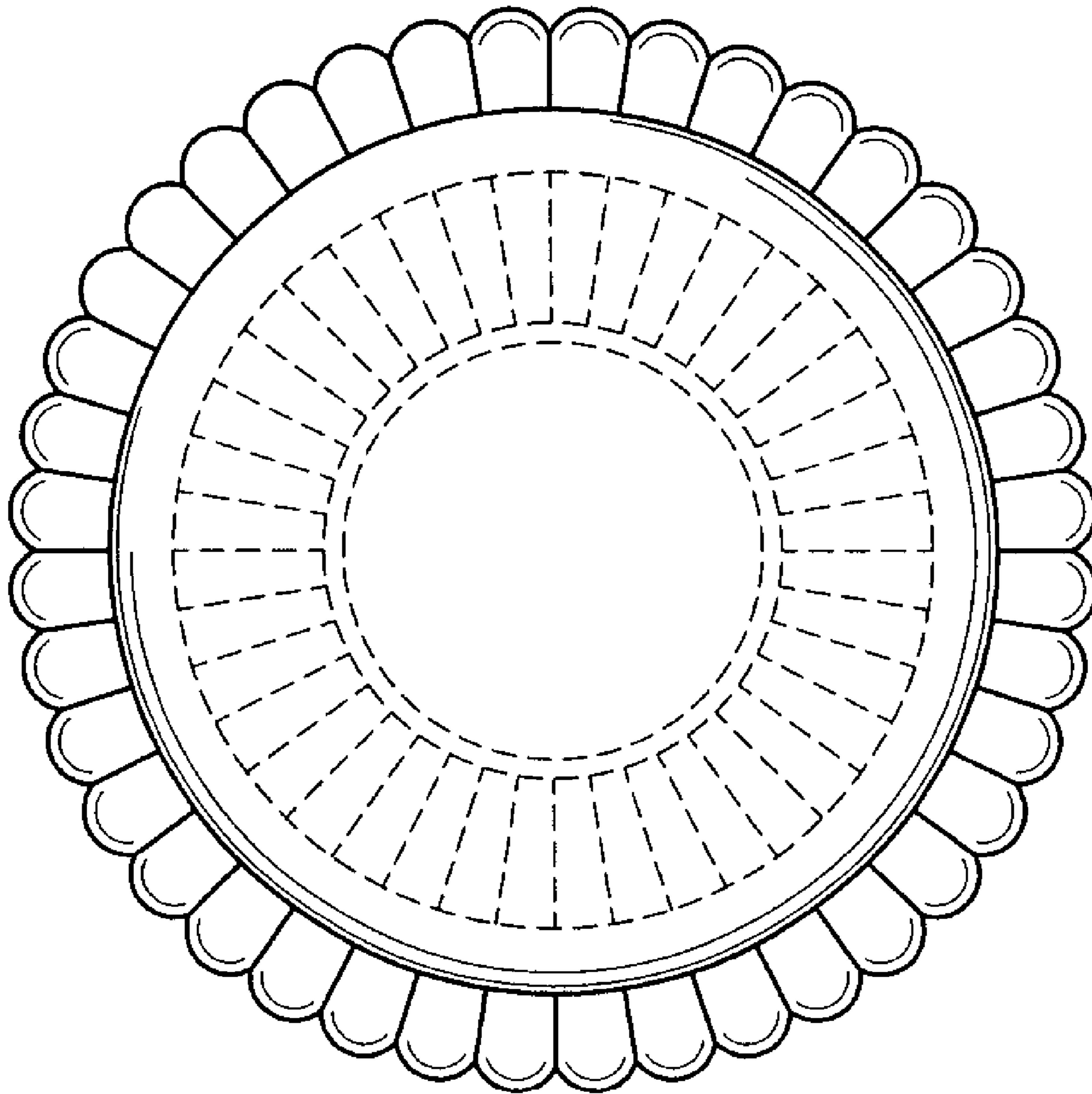


Fig. 4