



US00D518165S

(12) **United States Design Patent**  
**Frampton et al.**

(10) **Patent No.:** **US D518,165 S**

(45) **Date of Patent:** **\*\* Mar. 28, 2006**

(54) **MOTOR HOUSING FOR A FAN ASSEMBLY**

(75) Inventors: **Thomas C. Frampton**, Zionsville, IN (US); **Tania N. Frampton**, Zionsville, IN (US)

(73) Assignee: **Fanimation, Inc.**, Zionsville, IN (US)

(\*\*) Term: **14 Years**

(21) Appl. No.: **29/220,839**

(22) Filed: **Jan. 7, 2005**

(51) **LOC (8) Cl.** ..... **23-04**

(52) **U.S. Cl.** ..... **D23/411**

(58) **Field of Classification Search** ..... D23/377,  
D23/379, 385, 411; 416/5

See application file for complete search history.

(56) **References Cited**

**U.S. PATENT DOCUMENTS**

D312,305 S	11/1990	Weatherford	
D312,689 S	12/1990	Weatherford	
D333,867 S	* 3/1993	Markwardt	..... D23/377
D344,129 S	* 2/1994	Markwardt	..... D23/377
D485,348 S	* 1/2004	Stauffer	..... D23/411

**OTHER PUBLICATIONS**

2002 Fanimation, Inc. catalog, Published at least as early as 2002, forty (40) pages.

\* cited by examiner

*Primary Examiner*—Lisa Lichtenstein

(74) *Attorney, Agent, or Firm*—Maginot Moore & Beck

(57) **CLAIM**

The ornamental design for a motor housing for a fan assembly, as shown and described.

**DESCRIPTION**

FIG. 1 is a front, bottom perspective view of a motor housing for a fan assembly showing our new design;

FIG. 2 is a front, top perspective view showing the design for the motor housing of FIG. 1;

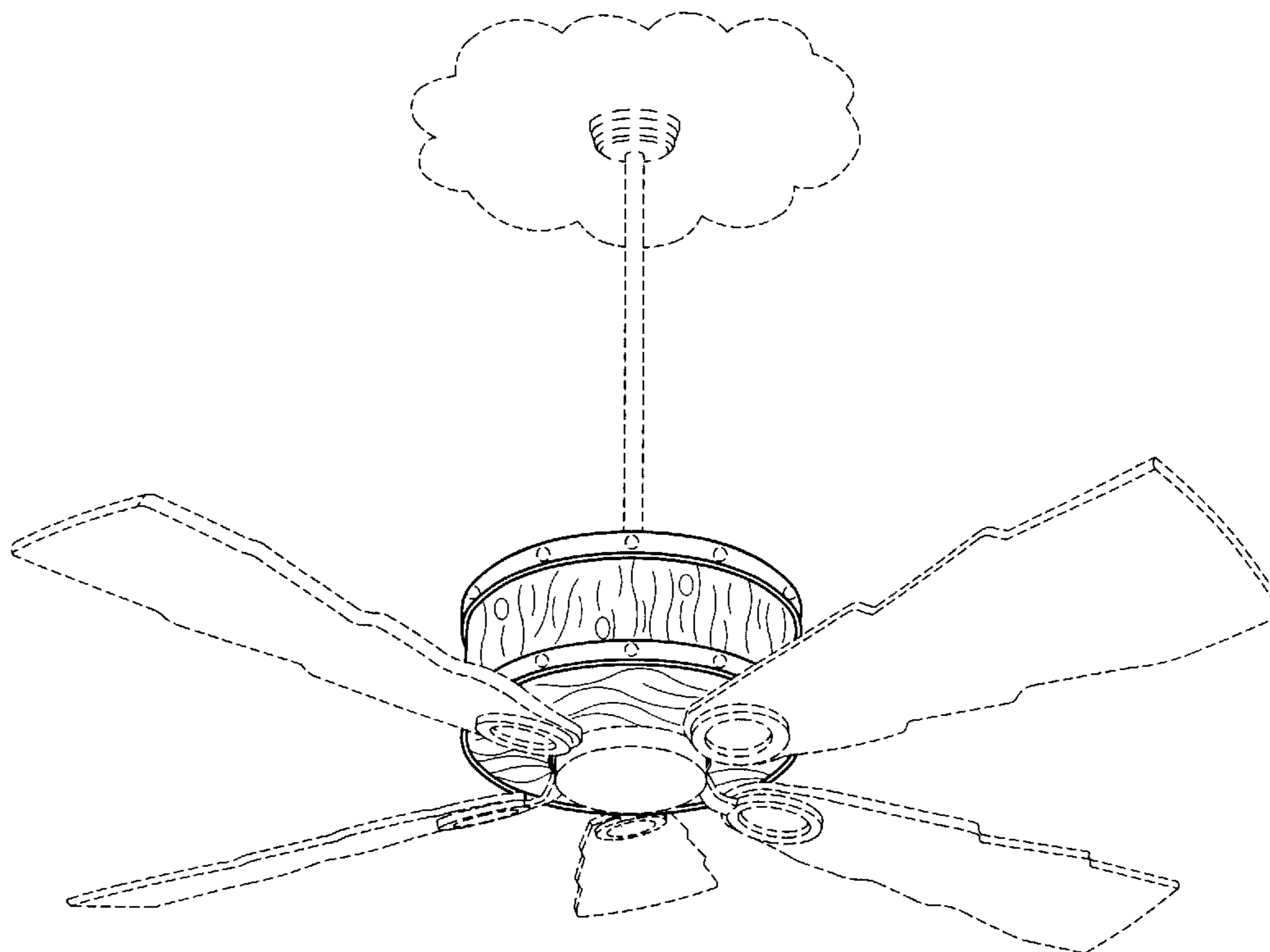
FIG. 3 is a rear elevational view showing the design for the motor housing of FIG. 1;

FIG. 4 is a bottom plan view showing the design for the motor housing of FIG. 1; and,

FIG. 5 is a top plan view showing the design for the motor housing of FIG. 1.

In FIGS. 1–5, the broken lines showing of various items including (i) the fan blades and associated mounting apparatus (FIGS. 1–5), (ii) the central vertical support member (FIGS. 1–3 and 5), (iii) a portion of the ceiling to which the central vertical support member is attached (FIG. 1), (iv) the upper motor housing portion including the venting apertures and associated features (FIG. 1, 2, and 5), and (v) the fastener members located along the upper band and the lower band of the motor housing (FIGS. 1–3) is for illustrative purposes only and forms no part of the claimed design.

**1 Claim, 5 Drawing Sheets**



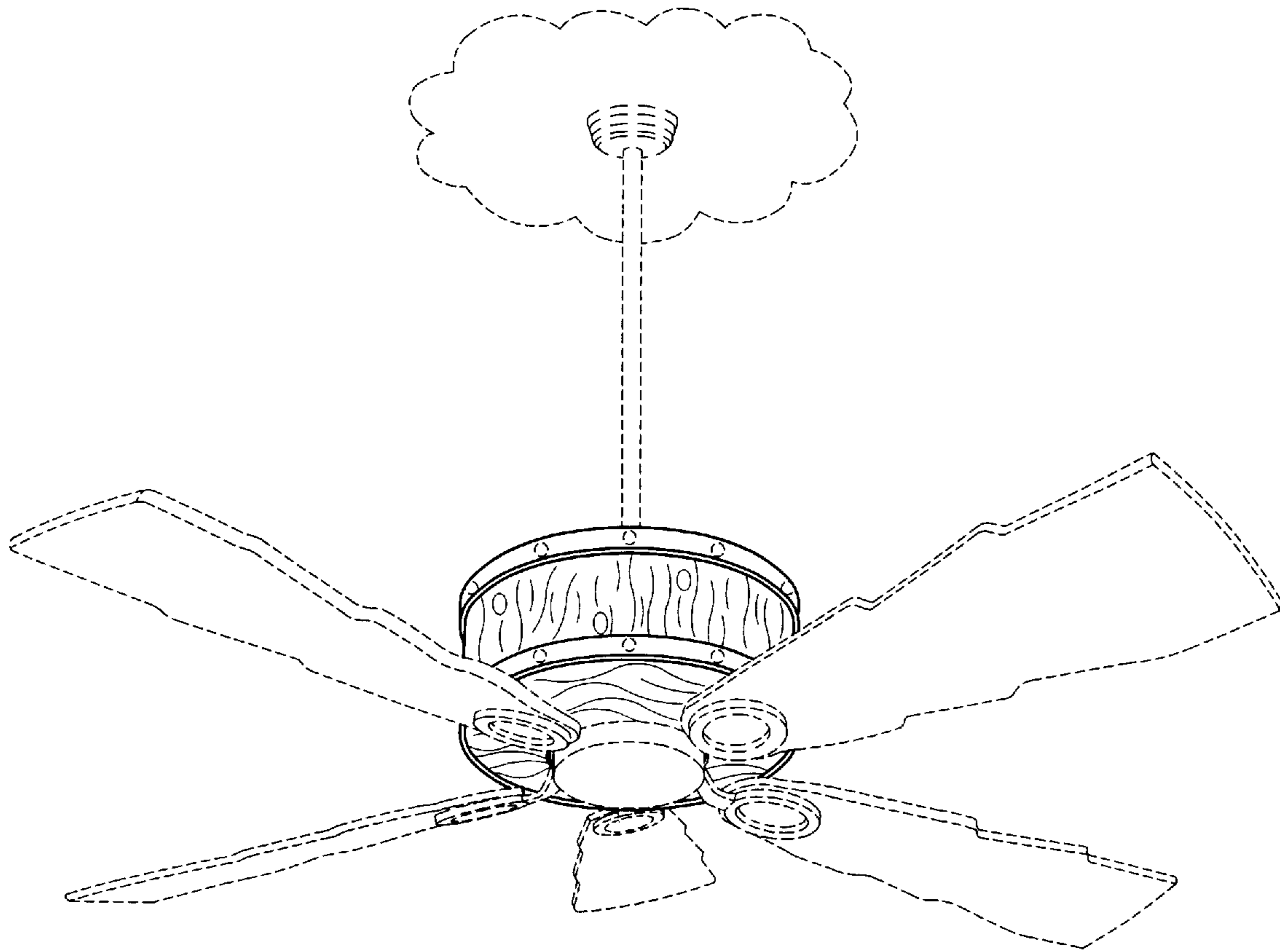


Fig. 1

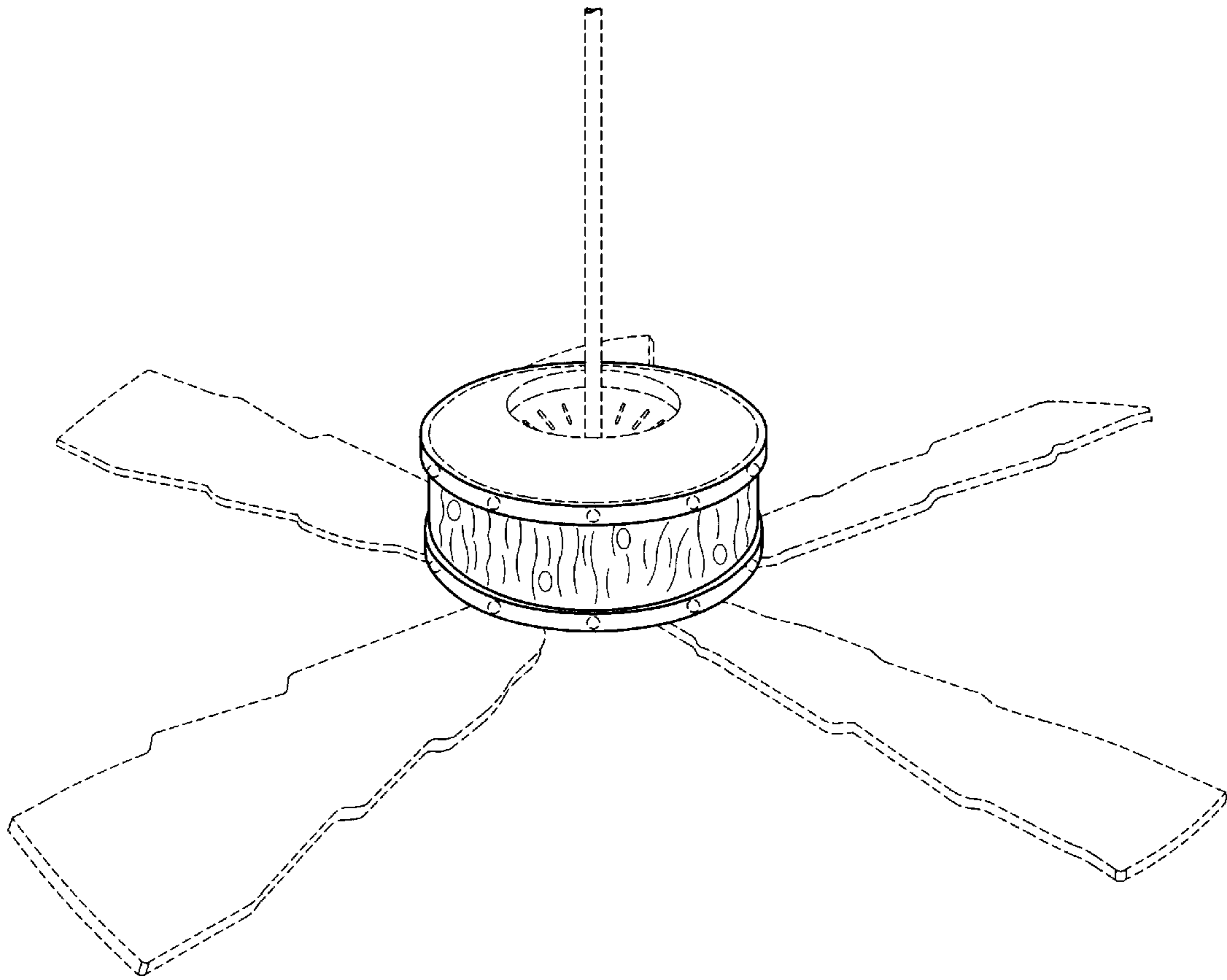


Fig. 2

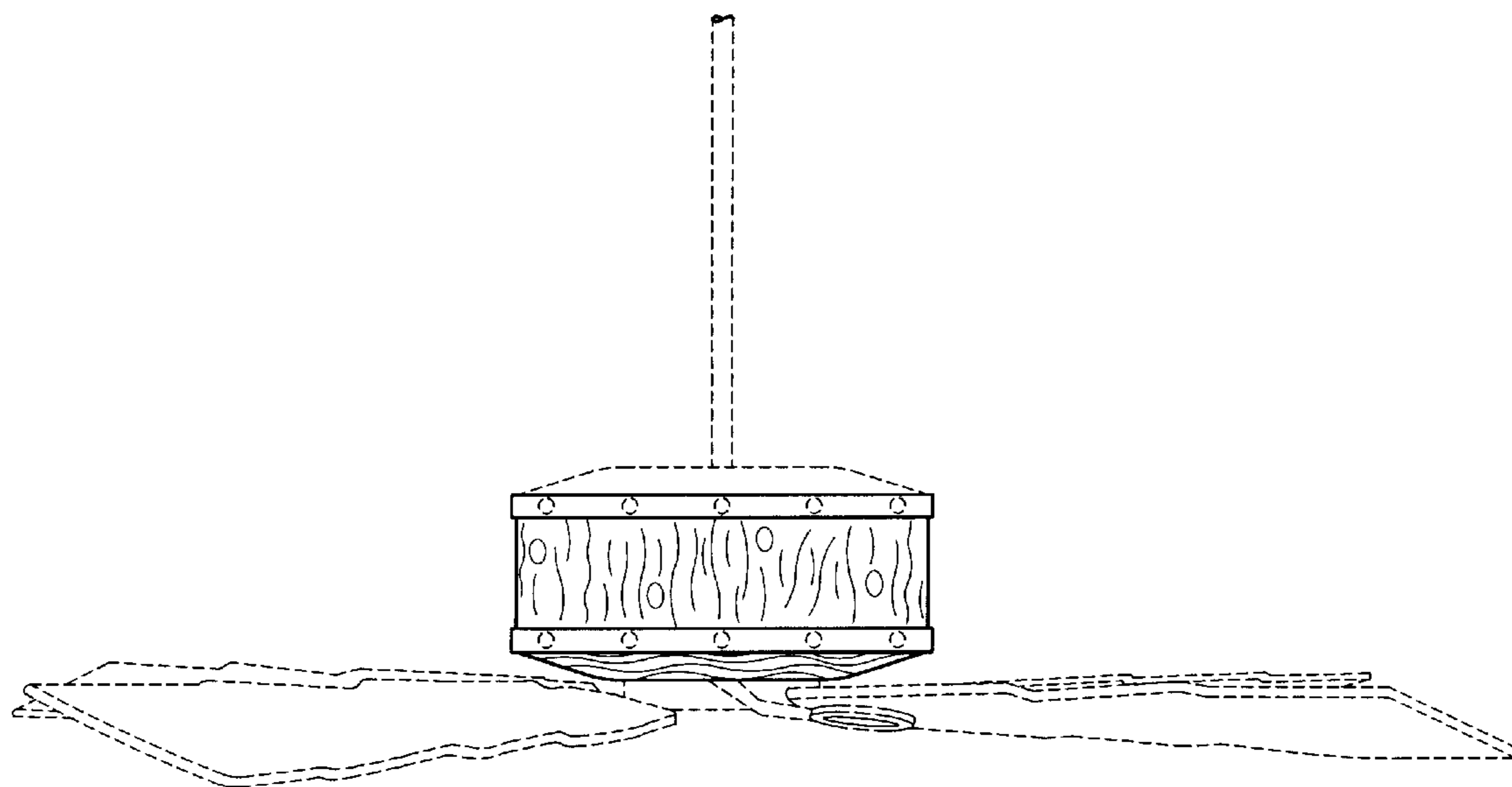


Fig. 3

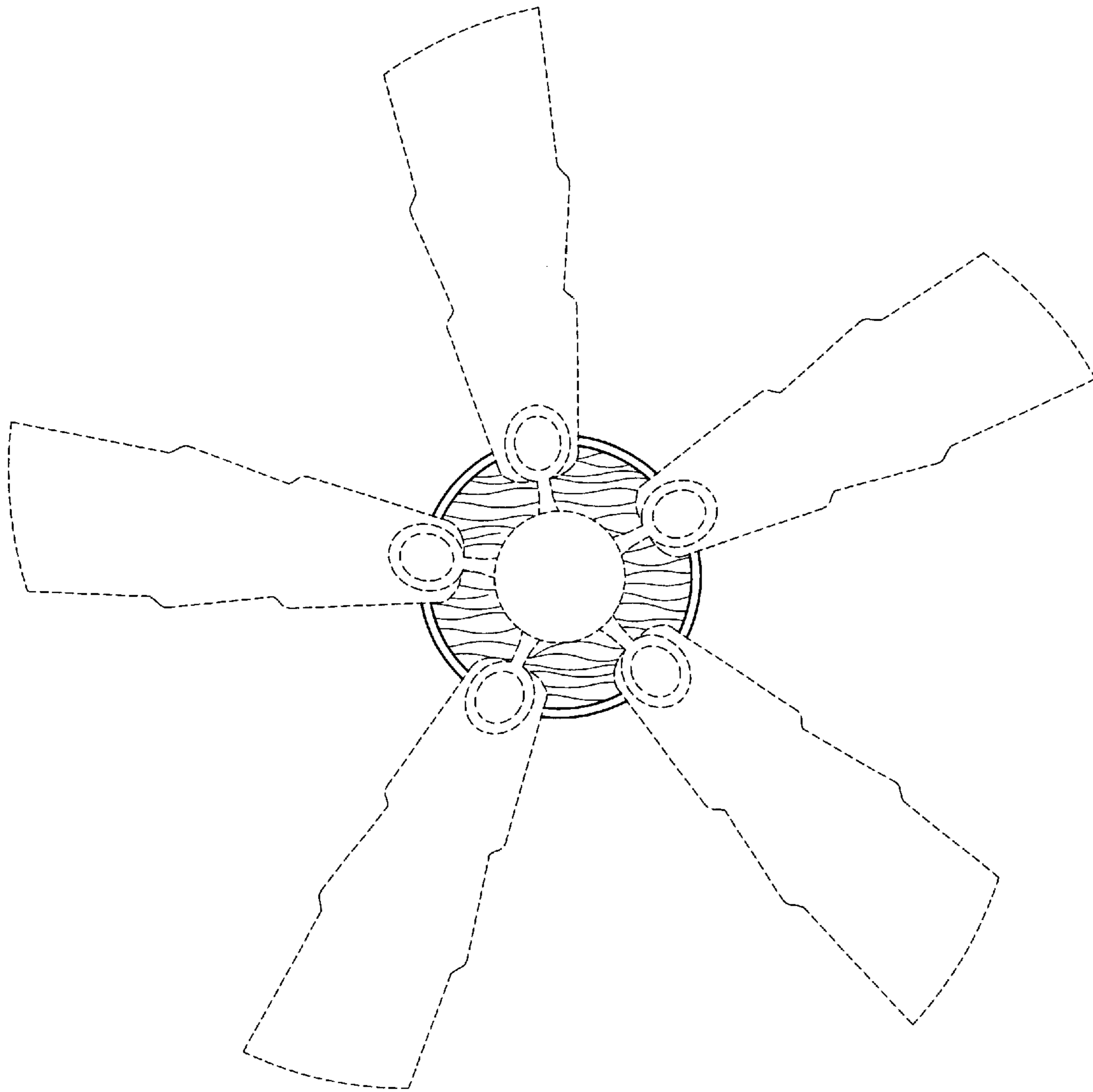


Fig. 4

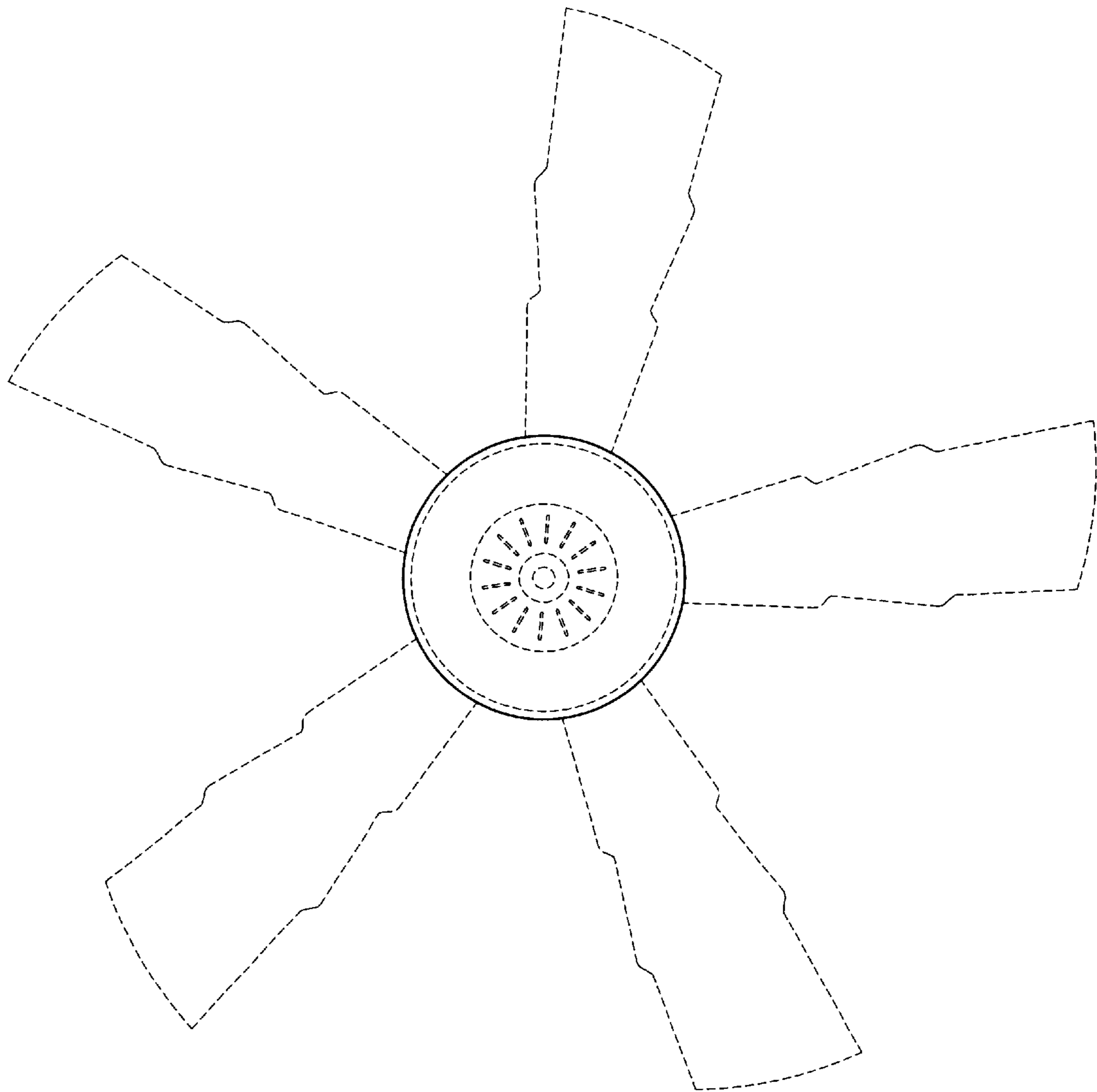


Fig. 5