



US00D518160S

(12) **United States Design Patent**  
**Normark**

(10) **Patent No.:** **US D518,160 S**

(45) **Date of Patent:** **\*\* Mar. 28, 2006**

(54) **AIR FRESHENER HOUSING**  
(75) Inventor: **James Normark**, Mt. Carmel, TN (US)  
(73) Assignee: **Ecoquest International, Inc.**,  
Greenville, TN (US)  
(\*\*) Term: **14 Years**

D429,805 S \* 8/2000 Hyon ..... D23/359  
D437,038 S 1/2001 Chuan ..... D23/364  
D440,290 S 4/2001 Pinchuk ..... D23/355  
D466,994 S 12/2002 Yuen ..... D23/364  
D483,458 S \* 12/2003 Huang ..... D23/356  
D484,962 S \* 1/2004 Best et al. .... D23/356

\* cited by examiner

(21) Appl. No.: **29/211,253**  
(22) Filed: **Aug. 12, 2004**

*Primary Examiner*—Sandra S. Snapp  
(74) *Attorney, Agent, or Firm*—Baker Donelson

(51) **LOC (8) Cl.** ..... **23-04**  
(52) **U.S. Cl.** ..... **D23/366**  
(58) **Field of Classification Search** ..... D23/356–369;  
392/390, 392, 393, 394, 398; 239/34, 53,  
239/56, 57, 58, 135, 136; 261/DIG. 17, DIG. 65,  
261/DIG. 88, DIG. 89  
See application file for complete search history.

(57) **CLAIM**

The ornamental design for an air freshener housing, as shown and described.

**DESCRIPTION**

FIG. 1 is a perspective view of our new design for an air freshener housing;  
FIG. 2 is a front elevational view thereof;  
FIG. 3 is a back elevational view thereof;  
FIG. 4 is a right side elevational view thereof;  
FIG. 5 is a left side elevational view thereof; and,  
FIG. 6 is a top plan view thereof.

(56) **References Cited**  
U.S. PATENT DOCUMENTS

D327,537 S 6/1992 Yuen ..... D23/364  
D397,196 S \* 8/1998 Tsuji ..... D23/356  
D425,609 S \* 5/2000 Hyon ..... D23/359

**1 Claim, 4 Drawing Sheets**

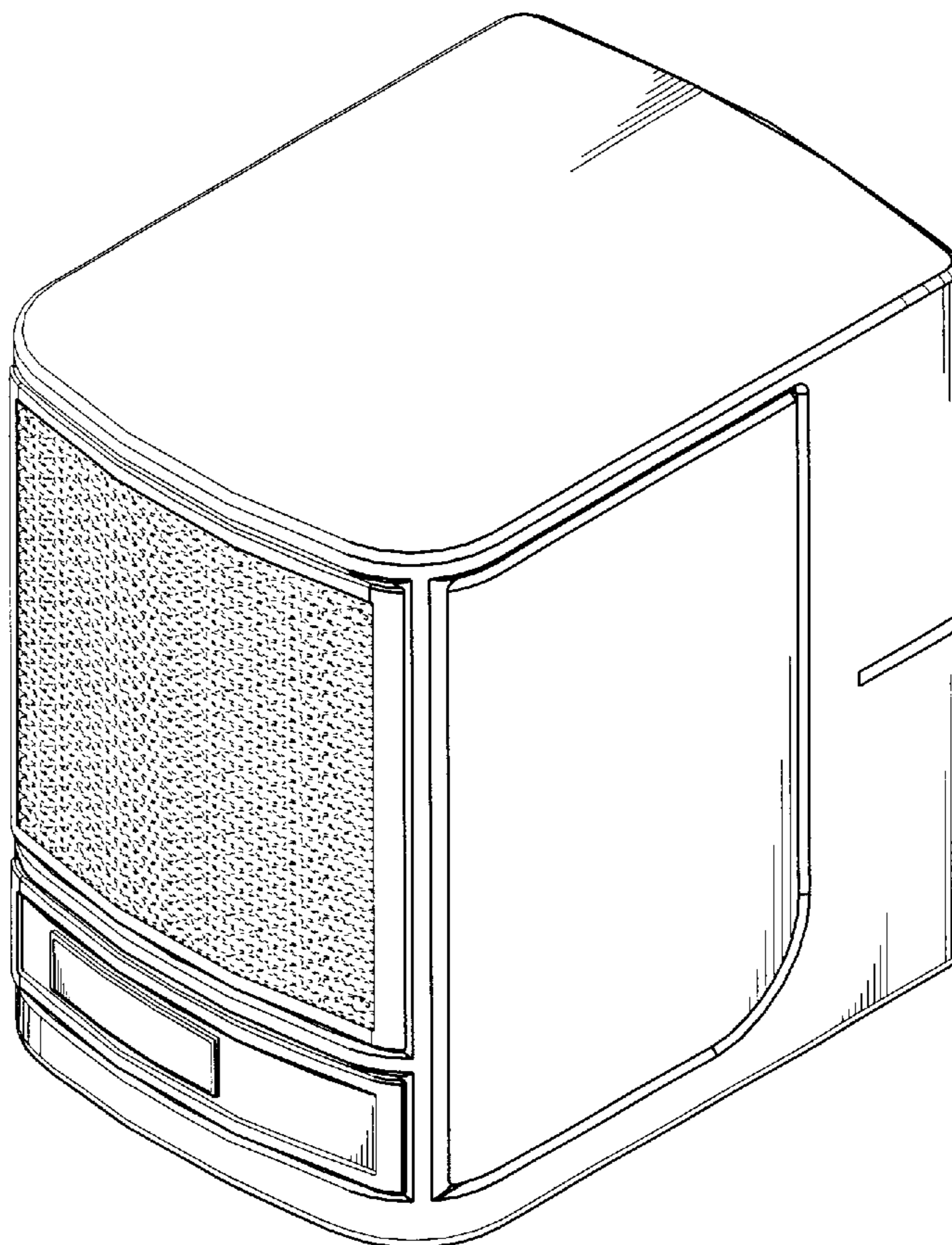


Fig. 1

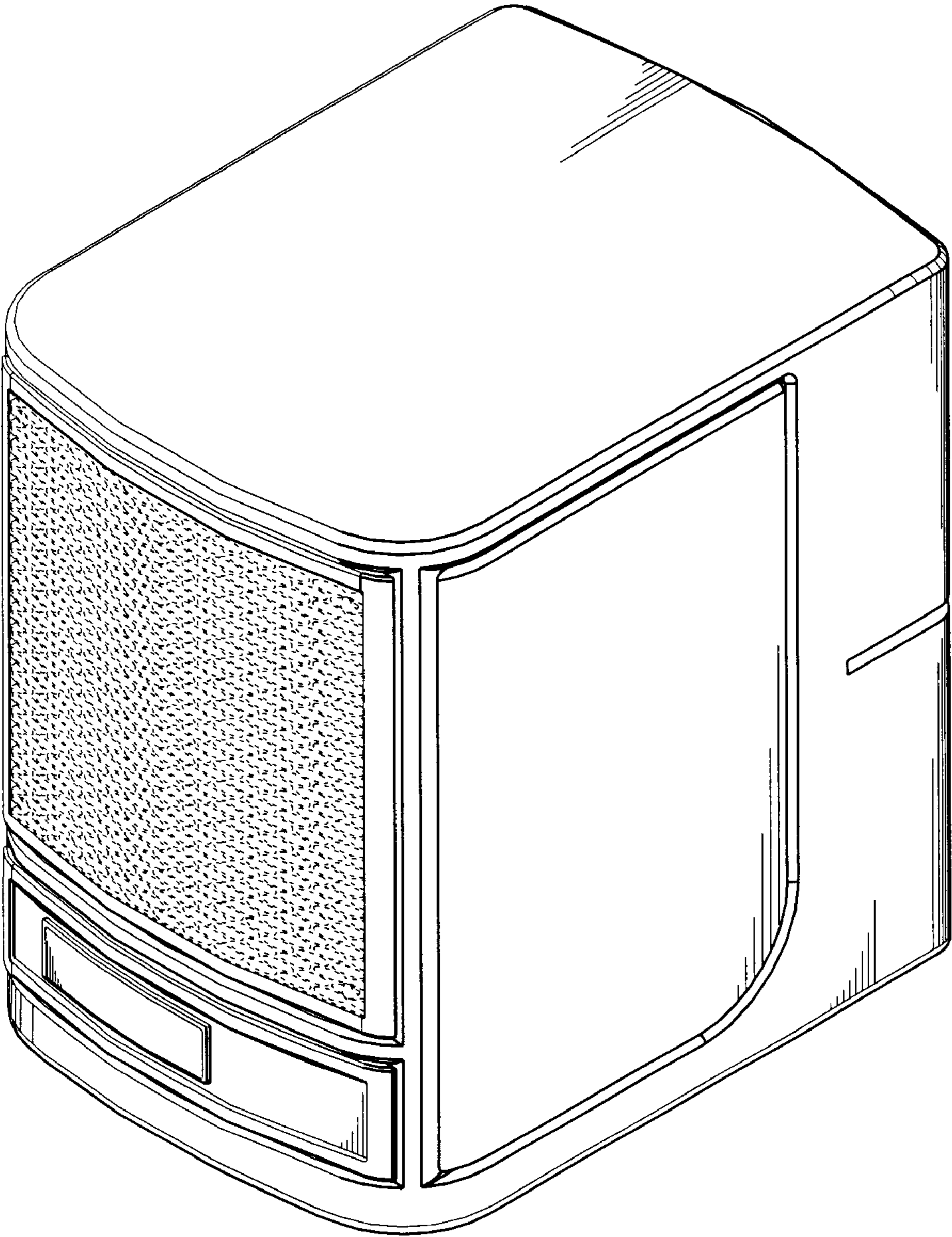


Fig. 2

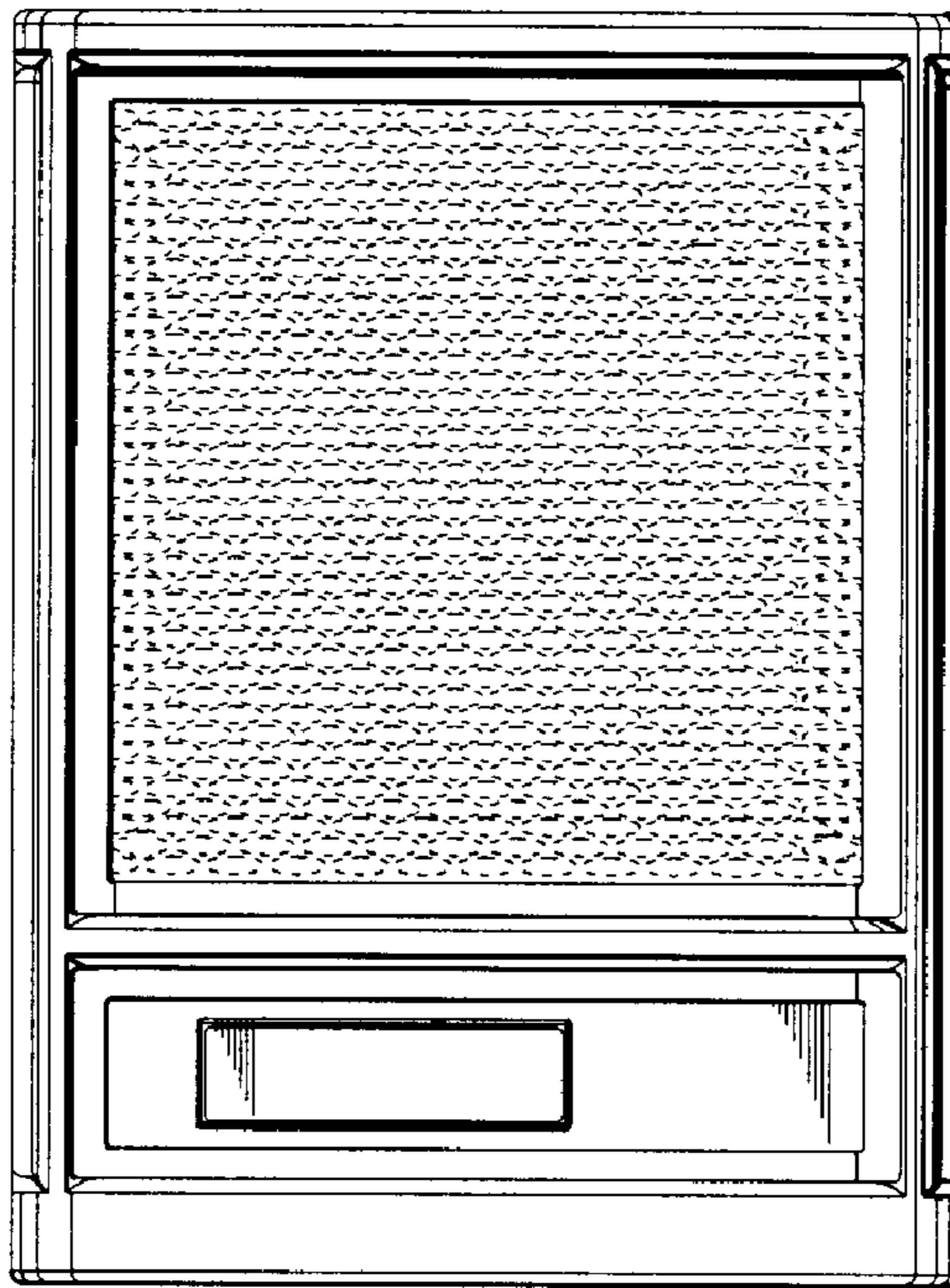


Fig. 3

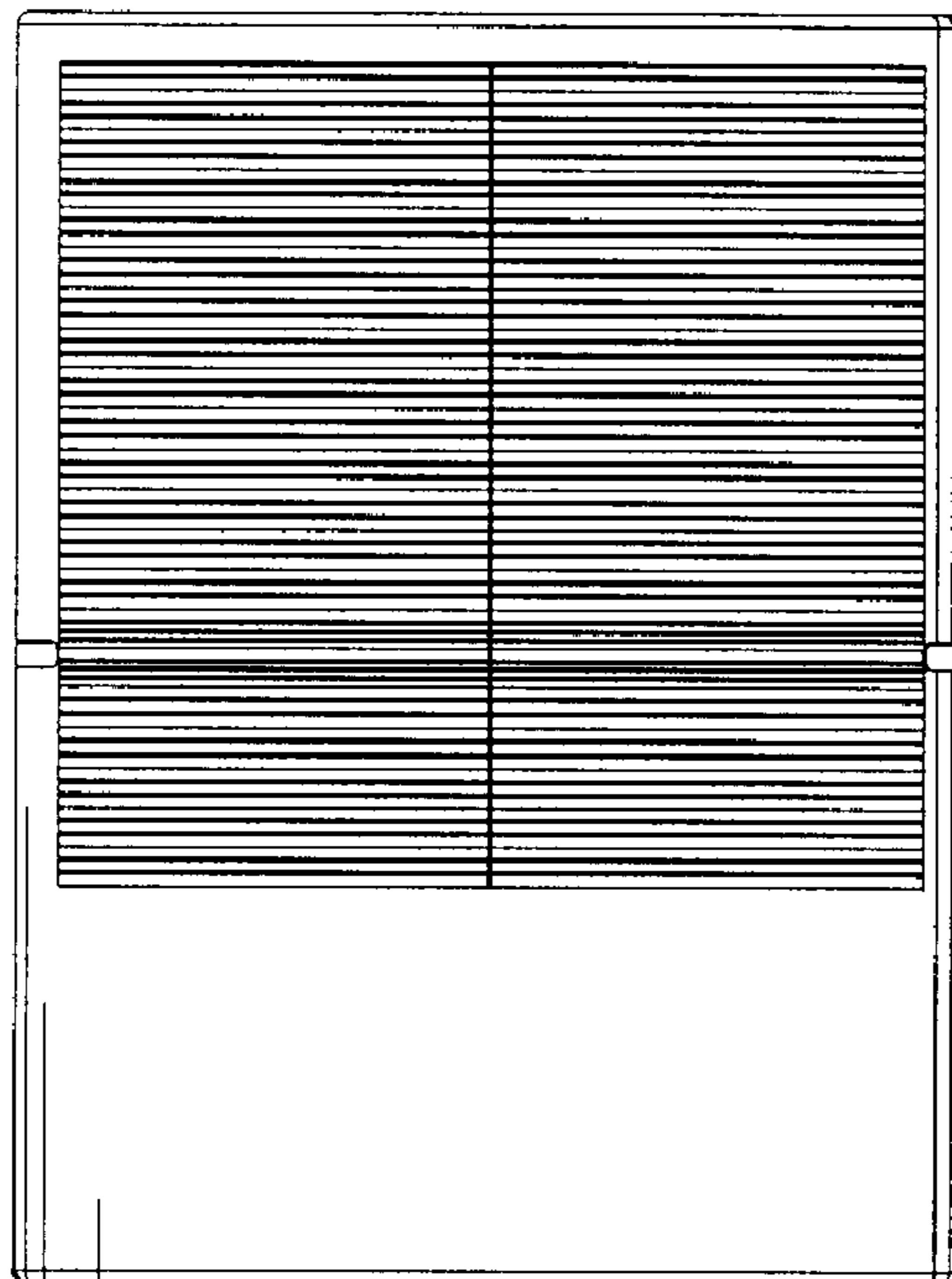


Fig. 4

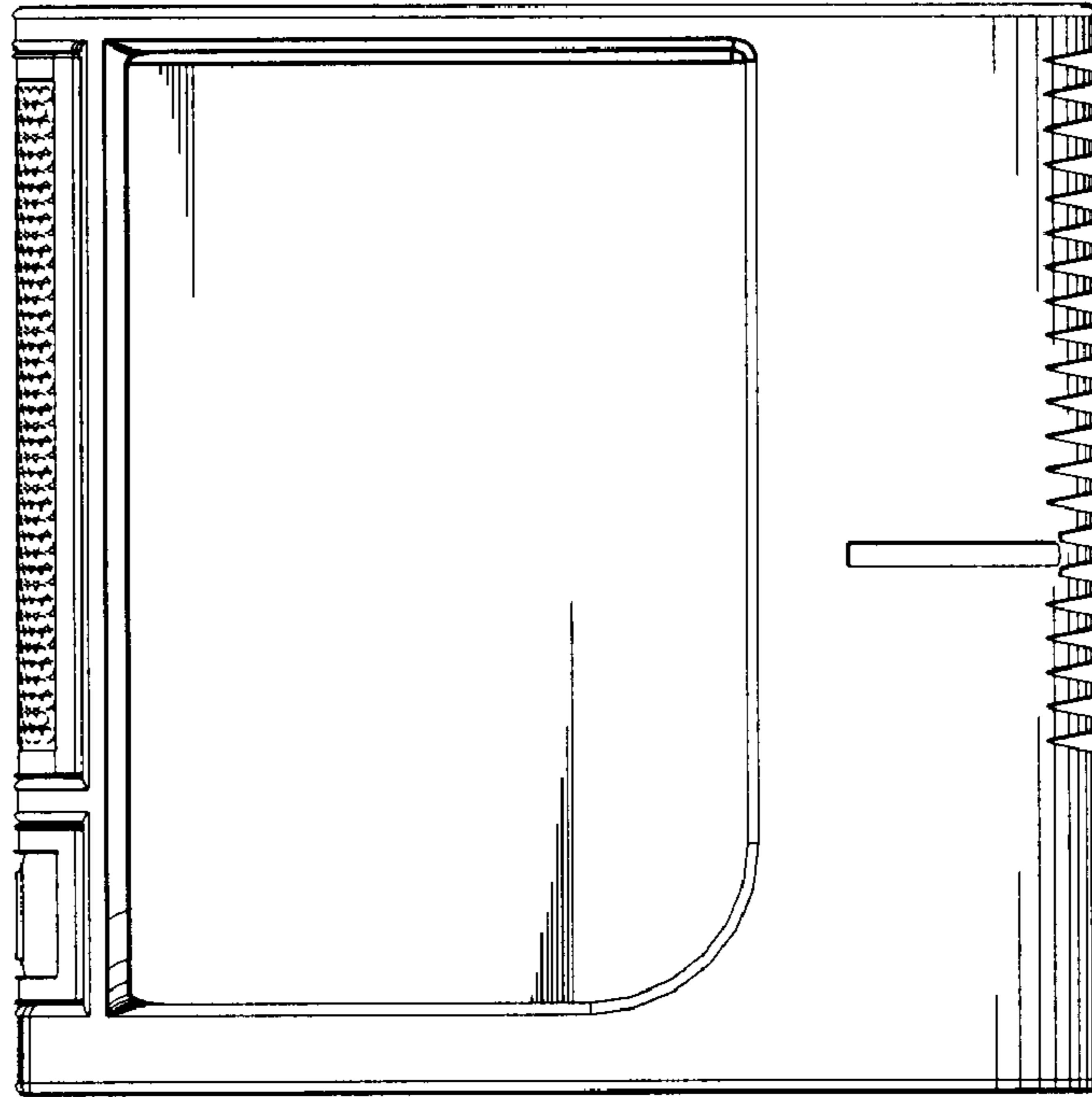


Fig. 5

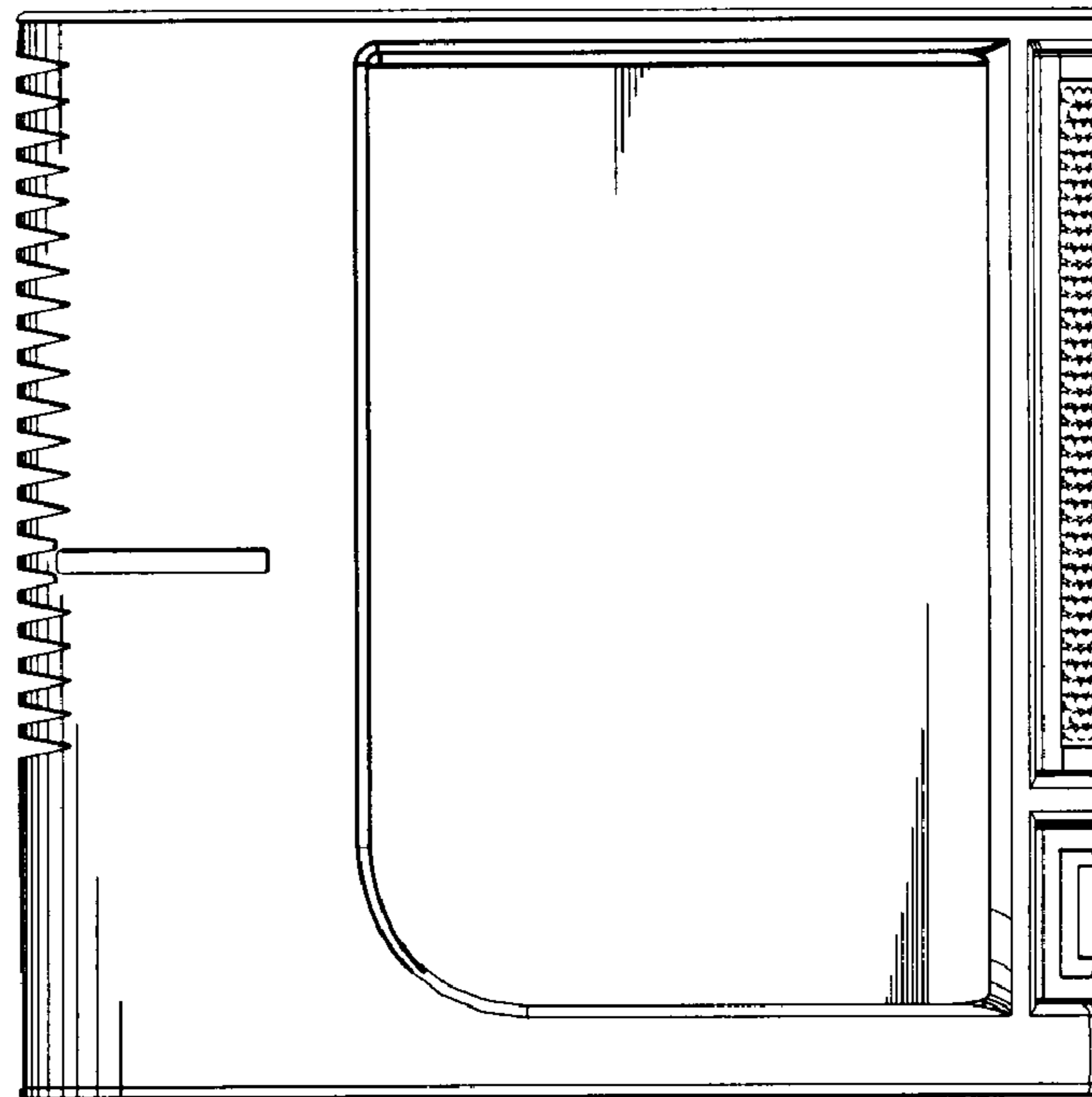




Fig. 6

