



US00D518157S

(12) **United States Design Patent** (10) **Patent No.:** **US D518,157 S**
Clark et al. (45) **Date of Patent:** **** Mar. 28, 2006**

(54) **AIR CLEANER COVER**

(75) Inventors: **Shawn Clark**, Poplar Bluff, MO (US);
Gerald Crowley, Poplar Bluff, MO
(US); **Rodney LaJeret**, Fairdealing,
MO (US)

(73) Assignee: **Briggs & Stratton Corporation**,
Wauwatosa, WI (US)

(**) Term: **14 Years**

(21) Appl. No.: **29/207,500**

(22) Filed: **Jun. 15, 2004**

(51) **LOC (8) Cl.** **23-04**

(52) **U.S. Cl.** **D23/364**

(58) **Field of Classification Search** D23/356,
D23/355, 364, 365, 359; 55/467, 471, 472,
55/356, 385.3; D15/15

See application file for complete search history.

(56) **References Cited**

U.S. PATENT DOCUMENTS

2,480,379	A	*	8/1949	Newberry	55/447
3,591,945	A		7/1971	Eisel		
4,162,660	A		7/1979	Albertson et al.		
4,387,671	A		6/1983	Jarvis		
4,509,613	A		4/1985	Yamaguchi		
4,779,456	A		10/1988	Cantoni		
4,871,381	A		10/1989	Smith		
5,605,554	A	*	2/1997	Kennedy	55/493
D393,704	S	*	4/1998	Chiu et al.	D23/364
D395,703	S	*	6/1998	Jane et al.	D23/364
5,813,384	A		9/1998	Lavender et al.		
D417,911	S	*	12/1999	Jane' et al.	D23/364
D450,111	S	*	11/2001	Stanley et al.	D23/364
6,740,149	B1	*	5/2004	Sudoh	96/384
2004/0025827	A1		2/2004	Davis		

FOREIGN PATENT DOCUMENTS

JP 200135527 12/2001

OTHER PUBLICATIONS

BRIGGS & STRATTON, 04 Engine Guide; brochure; 2003; 58 pages; Briggs & Stratton, Wauwatosa, Wisconsin USA. KAWASAKI, Four-Cycle Engines Kawasaki FB460V, website, http://www.kawpowr.com/4cycle/fb460v_specs.html. 1 page, Feb. 2, 2005.

KAWASAKI, Four-Cycle Engines Kawasaki FC150V, website, http://www.kawpowr.com/4cycle/fc150v_specs.html. 1 page, Feb. 2, 2005.

KAWASAKI, Four-Cycle Engines Kawasaki FC290V, website, http://www.kawpowr.com/4cycle/fc290v_specs.html. 1 page, Feb. 2, 2005.

KAWASAKI, Four-Cycle Engines Kawasaki FC401V, website, http://www.kawpowr.com/4cycle/fc401v_specs.html. 1 page, Feb. 2, 2005.

KAWASAKI, Four-Cycle Engines Kawasaki FC420V, website, http://www.kawpowr.com/4cycle/fc420v_specs.html. 1 page, Feb. 2, 2005.

(Continued)

Primary Examiner—Robin V. Taylor

(74) *Attorney, Agent, or Firm*—Michael Best & Friedrich LLP

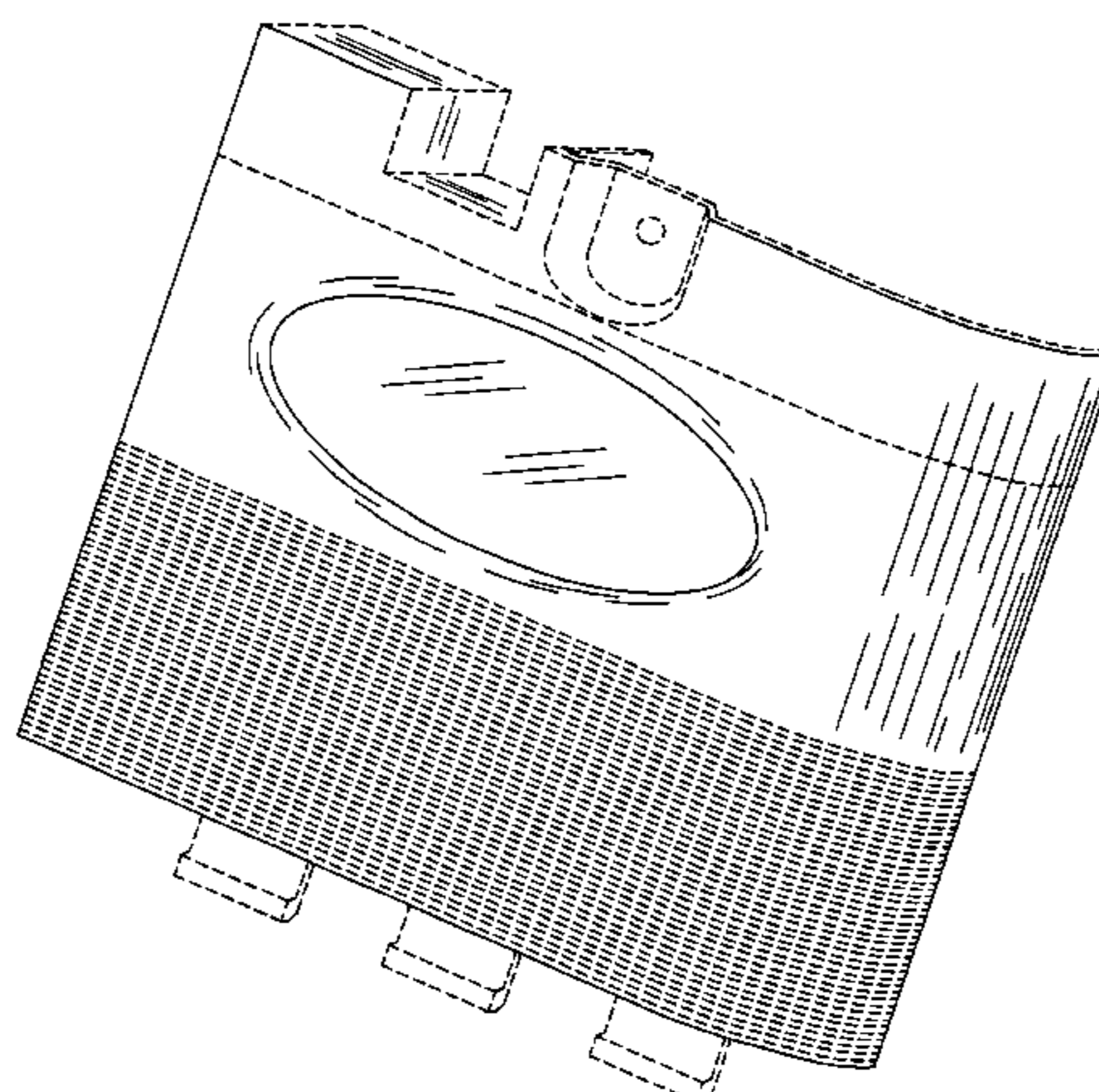
(57) **CLAIM**

We claim the ornamental design for an air cleaner cover, as shown and described.

DESCRIPTION

FIG. 1 is a perspective view of an air cleaner cover; FIG. 2 is a right side view of the air cleaner cover of FIG. 1; FIG. 3 is a top view of the air cleaner cover of FIG. 1; FIG. 4 is a left side view of the air cleaner cover of FIG. 1; FIG. 5 is a bottom view of the air cleaner cover of FIG. 1; FIG. 6 is a rear view of the air cleaner cover of FIG. 1; and, FIG. 7 is a front view of the air cleaner cover of FIG. 1. The broken line showing of the environment is for illustrative purposes only and forms no part of the claimed design.

1 Claim, 4 Drawing Sheets-



OTHER PUBLICATIONS

- KAWASAKI, Four-Cycle Engines Kawasaki FC540V, website, http://www.kawpowr.com/4cycle/fc540v_specs.html. 1 page, Feb. 2, 2005.
- KAWASAKI, Four-Cycle Engines Kawasaki FJ180V, website, http://www.kawpowr.com/4cycle/fj180v_specs.html. 2 pages, Feb. 2, 2005.
- KAWASAKI, Four-Cycle Engines Kawasaki FH451V, website, http://www.kawpowr.com/4cycle/fh451v_specs.html. 1 page, Feb. 2, 2005.
- KAWASAKI, Four-Cycle Engines Kawasaki FH500V, website, http://www.kawpowr.com/4cycle/fh500v_specs.html. 1 page, Feb. 2, 2005.
- KAWASAKI, Four-Cycle Engines Kawasaki FH601V, website, http://www.kawpowr.com/4cycle/fh601v_specs.html. 1 page, Feb. 2, 2005.
- KAWASAKI, Four-Cycle Engines Kawasaki FH641V, website, http://www.kawpowr.com/4cycle/fh641v_specs.html. 1 page, Feb. 2, 2005.
- KAWASAKI, Four-Cycle Engines Kawasaki FH680V, website, http://www.kawpowr.com/4cycle/fh680v_specs.html. 1 page, Feb. 2, 2005.
- KAWASAKI, Four-Cycle Engines Kawasaki FH721V, website, http://www.kawpowr.com/4cycle/fh721v_specs.html. 1 page, Feb. 2, 2005.
- KAWASAKI, Four-Cycle Engines Kawasaki FH381V, website, http://www.kawpowr.com/4cycle/fh381v_specs.html. 2 pages, Feb. 2, 2005.
- KAWASAKI, Four-Cycle Engines Kawasaki FH430V, website, http://www.kawpowr.com/4cycle/fh430v_specs.html. 2 pages, Feb. 2, 2005.
- KAWASAKI, Four-Cycle Engines Kawasaki FH541V, website, http://www.kawpowr.com/4cycle/fh541v_specs.html. 1 page, Feb. 2, 2005.
- KAWASAKI, Four-Cycle Engines Kawasaki FH580V, website, http://www.kawpowr.com/4cycle/fh580v_specs.html. 1 page, Feb. 2, 2005.
- KAWASAKI, Four-Cycle Engines Kawasaki FD501V, website, http://www.kawpowr.com/4cycle/fd501v_specs.html. 1 page, Feb. 2, 2005.
- KAWASAKI, Four-Cycle Engines Kawasaki FD590V, website, http://www.kawpowr.com/4cycle/fd590v_specs.html. 1 page, Feb. 2, 2005.
- KAWASAKI, Four-Cycle Engines Kawasaki FD611V, website, http://www.kawpowr.com/4cycle/fd611v_specs.html. 1 page, Feb. 2, 2005.
- KAWASAKI, Four-Cycle Engines Kawasaki FE120D, website, http://www.kawpowr.com/4cycle/fe120d_specs.html. 1 page, Feb. 2, 2005.
- KAWASAKI, Four-Cycle Engines Kawasaki FE250D, website, http://www.kawpowr.com/4cycle/fe250d_specs.html. 1 page, Feb. 2, 2005.
- KAWASAKI, Four-Cycle Engines Kawasaki FE290D, website, http://www.kawpowr.com/4cycle/fe290d_specs.html. 1 page, Feb. 2, 2005.
- KAWASAKI, Four-Cycle Engines Kawasaki FE350D, website, http://www.kawpowr.com/4cycle/fe350d_specs.html. 1 page, Feb. 2, 2005.
- KAWASAKI, Four-Cycle Engines Kawasaki FE400D, website, http://www.kawpowr.com/4cycle/fe400d_specs.html. 1 page, Feb. 2, 2005.
- KAWASAKI, Four-Cycle Engines Kawasaki FJ100D, website, http://www.kawpowr.com/4cycle/fj100d_specs.html. 1 page, Feb. 2, 2005.
- KAWASAKI, Four-Cycle Engines Kawasaki FH601D, website, http://www.kawpowr.com/4cycle/fh601d_specs.html. 1 page, Feb. 2, 2005.
- KAWASAKI, Four-Cycle Engines Kawasaki FH641D, website, http://www.kawpowr.com/4cycle/fh641d_specs.html. 1 page, Feb. 2, 2005.
- KAWASAKI, Four-Cycle Engines Kawasaki FH680D, website, http://www.kawpowr.com/4cycle/fh680d_specs.html. 1 page, Feb. 2, 2005.
- KAWASAKI, Four-Cycle Engines Kawasaki FH721D, website, http://www.kawpowr.com/4cycle/fh721d_specs.html. 1 page, Feb. 2, 2005.
- KAWASAKI, Four-Cycle Engines Kawasaki FD501D, website, http://www.kawpowr.com/4cycle/fd501d_specs.html. 1 page, Feb. 2, 2005.
- KAWASAKI, Four-Cycle Engines Kawasaki FD620D, website, http://www.kawpowr.com/4cycle/fd620d_specs.html. 1 page, Feb. 2, 2005.
- KAWASAKI, Four-Cycle Engines Kawasaki FD661D, website, http://www.kawpowr.com/4cycle/fd661d_specs.html. 1 page, Feb. 2, 2005.
- KAWASAKI, Four-Cycle Engines Kawasaki FD671D, website, http://www.kawpowr.com/4cycle/fd671d_specs.html. 1 page, Feb. 2, 2005.
- KAWASAKI, Four-Cycle Engines Kawasaki FD711D, website, http://www.kawpowr.com/4cycle/fd711d_specs.html. 1 page, Feb. 2, 2005.
- KAWASAKI, Four-Cycle Engines Kawasaki FD750, website, http://www.kawpowr.com/4cycle/fd750d_specs.html. 1 page, Feb. 2, 2005.
- KAWASAKI, Four-Cycle Engines Kawasaki FD791D DFI, website, http://www.kawpowr.com/4cycle/fd791d_specs.html. 1 page, Feb. 2, 2005.
- TECUMSEH POWER COMPANY; Rider Engines, Transmissions & Transaxles Horsepower Range: 7.0–25.0, website <http://www.tecumsehpower.com/Products/Rider/index.php>, 1 page, Feb. 2, 2005.
- TECUMSEH POWER COMPANY; Engines & Powertrains Horsepower Range: 3.5–11.0, website <http://www.tecumsehpower.com/Products/PowerSport/index.php>, 1 page, Feb. 2, 2005.
- TECUMSEH POWER COMPANY; Walk-Behind Engines & Transmissions Horsepower Range: 3.5–7.0, website <http://www.tecumsehpower.com/Products/WalkBehind/index.php>, 1 page, Feb. 2, 2005.
- TECUMSEH POWER COMPANY; Snow King Engines & Transmissions Horsepower Range: 3.0–13.0, website <http://www.tecumsehpower.com/Products/SnowEngines/index.php>, 1 page, Feb. 2, 2005.
- KOHLER CO. ENGINE DIVISION; Kohler Engines Born to Run Owner's Manual, Command 11–16 HP Vertical Crankshaft; cover page, Revised Sep. 1999, Kohler Co. Engine Division, Kohler, Wisconsin, USA.
- KOHLER CO. ENGINE DIVISION; Kohler Engines Born to Run Owner's Manual, Command 18–26 HP Horizontal Crankshaft; cover page, Revised May 1999, Kohler Co. Engine Division, Kohler, Wisconsin, USA.
- KOHLER CO. ENGINE DIVISION; Kohler Engines Born to Run Owner's Manual, Command 11–15 HP Horizontal Crankshaft; cover page, Revised Apr. 1999, Kohler Co. Engine Division, Kohler, Wisconsin, USA.

KOHLER CO. ENGINE DIVISION; Kohler Engines Born to Run Owner's Manual, Magnum 8,12,16 HP Horizontal Crankshaft; cover page, Revised Dec. 2001, Kohler Co. Engine Division, Kohler, Wisconsin, USA.

KOHLER CO. ENGINE DIVISION; Kohler Engines Service Manual, Courage Series SV470-600 Vertical Crankshaft, cover page, Dec. 2, 2005, Kohler Co. Engine Division, Kohler, Wisconsin, USA.

KOHLER CO. ENGINE DIVISION; Kohler Engines Born to Run Owner's Manual, Command Pro CS Series 4-12 HP Horizontal Crankshaft, cover page, Revised Feb. 1999, Kohler Co. Engine Division, Kohler, Wisconsin, USA.

KOHLER CO. ENGINE DIVISION; Kohler Engines Born to Run Owner's Manual, Kohler Triad OHC TH520-TH650 Horizontal Crankshaft; cover page, Revised Dec. 2001, Kohler Co. Engine Division, Kohler, Wisconsin, USA.

HONDA ENGINES, Honda GX Series Engines, brochure, 2002, 4 pages, American Honda Motor Co, Inc.

HONDA ENGINES, Honda V-Twin Engines, brochure, 2002, 4 pages, American Honda Motor Co, Inc.

HONDA ENGINES, Honda GC Series, brochure, 2003, 5 pages, American Honda Motor Co, Inc.

HONDA ENGINES, Honda Mini 4-Stroke Engines, brochure, 2002, 2 pages, American Honda Motor Co, Inc.

HONDA POWER PRODUCTS, Honda Super Mini 4-Stroke Engine GX25, brochure, 2002, 2 pages, Honda Power Products.

* cited by examiner

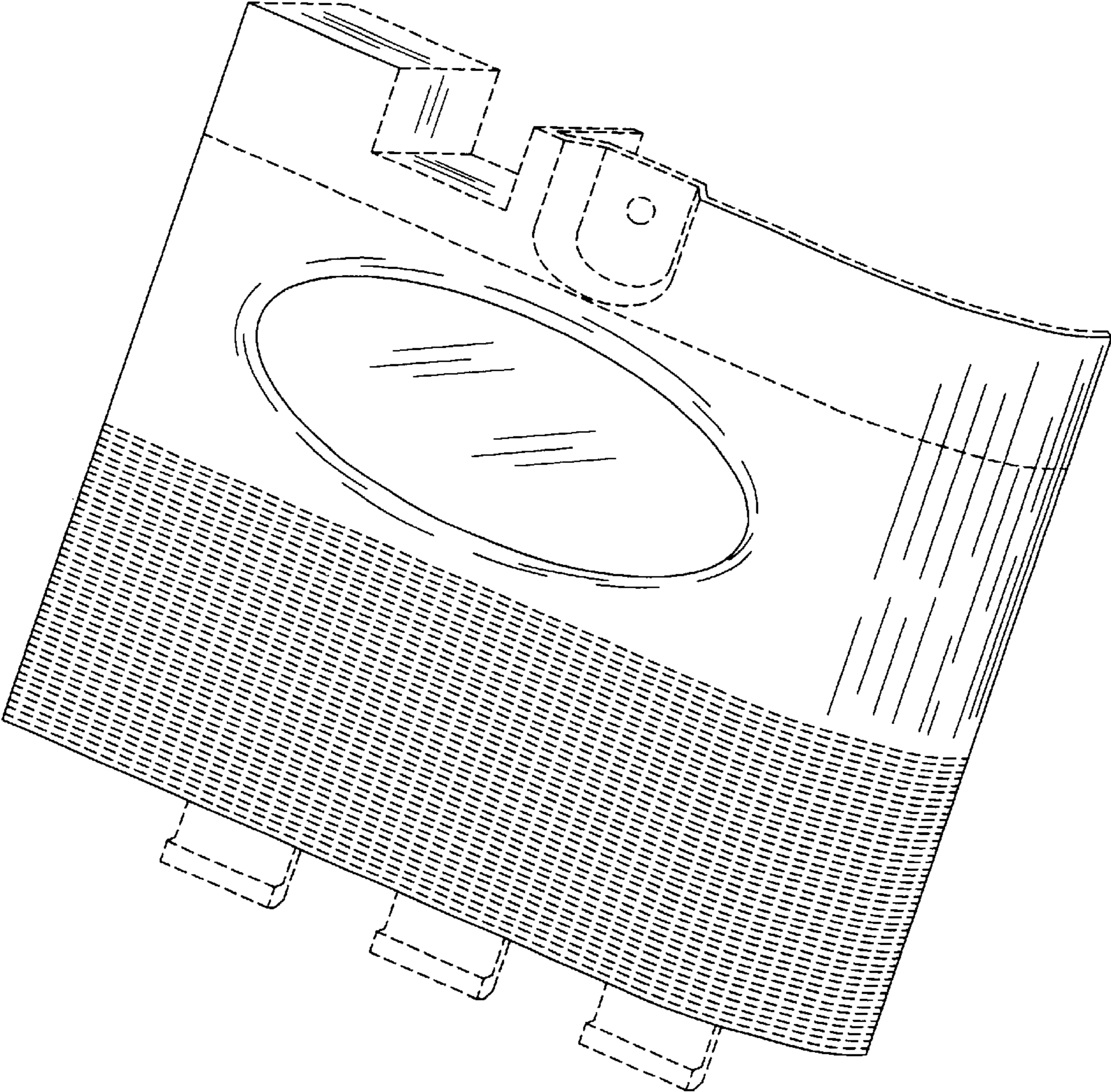


FIG. 1

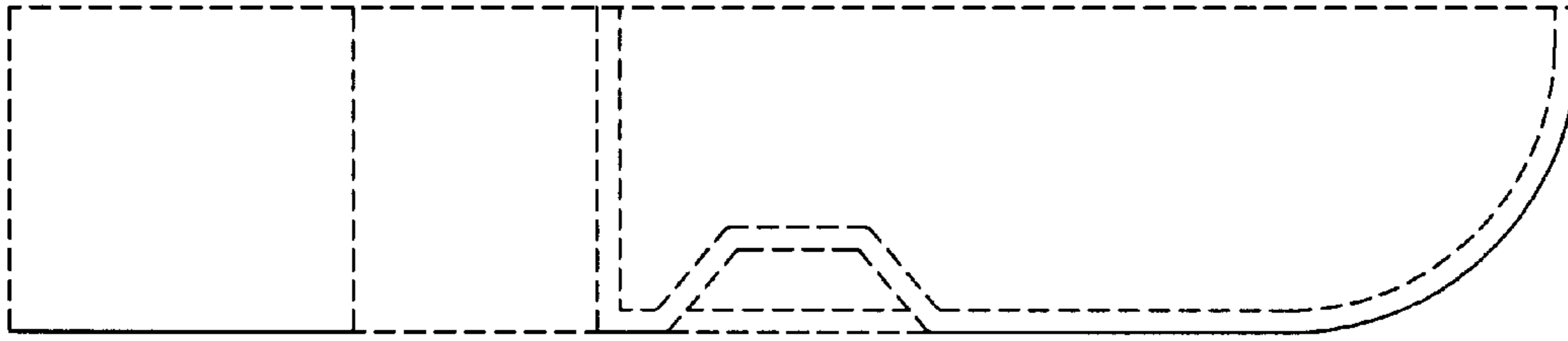


FIG. 2

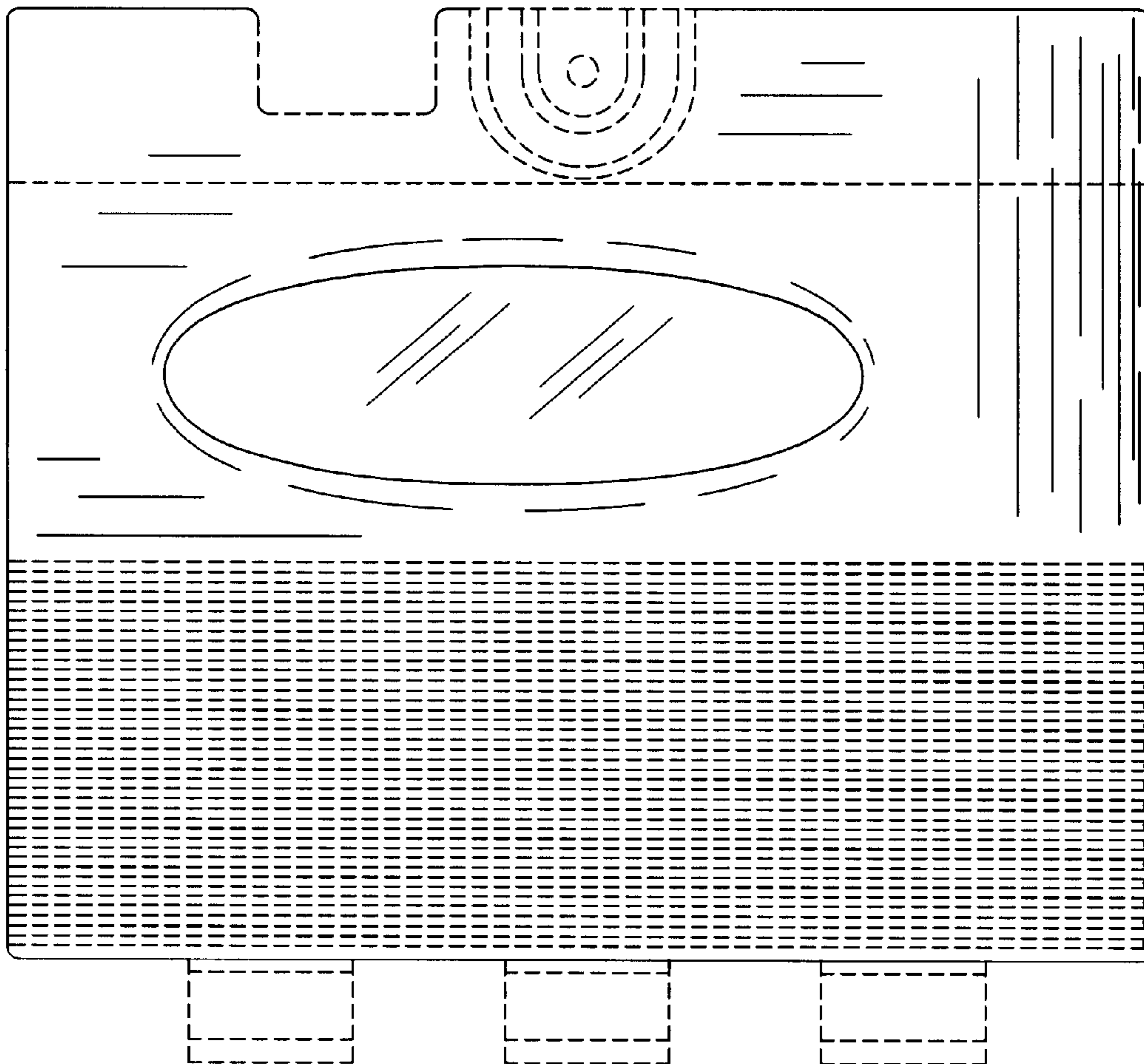


FIG. 3

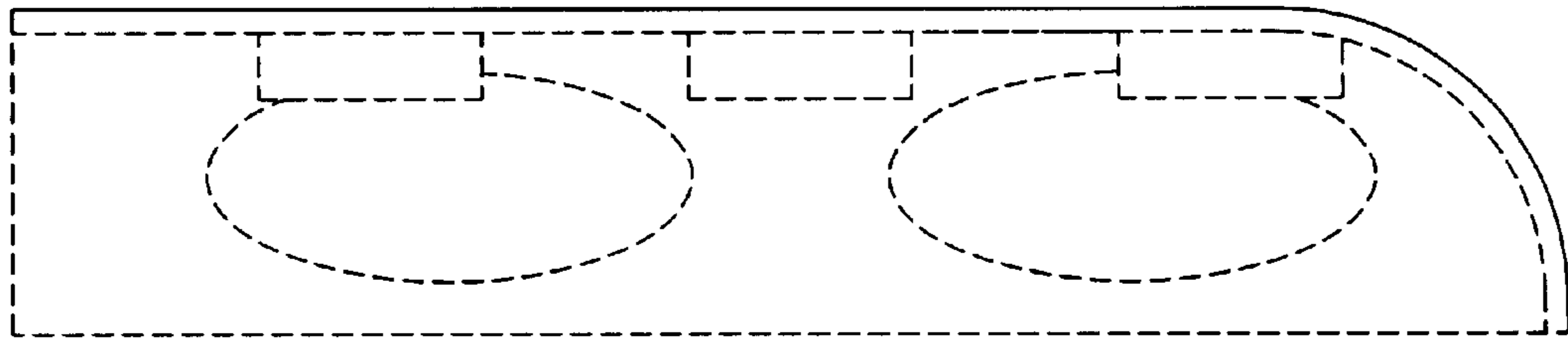


FIG. 4

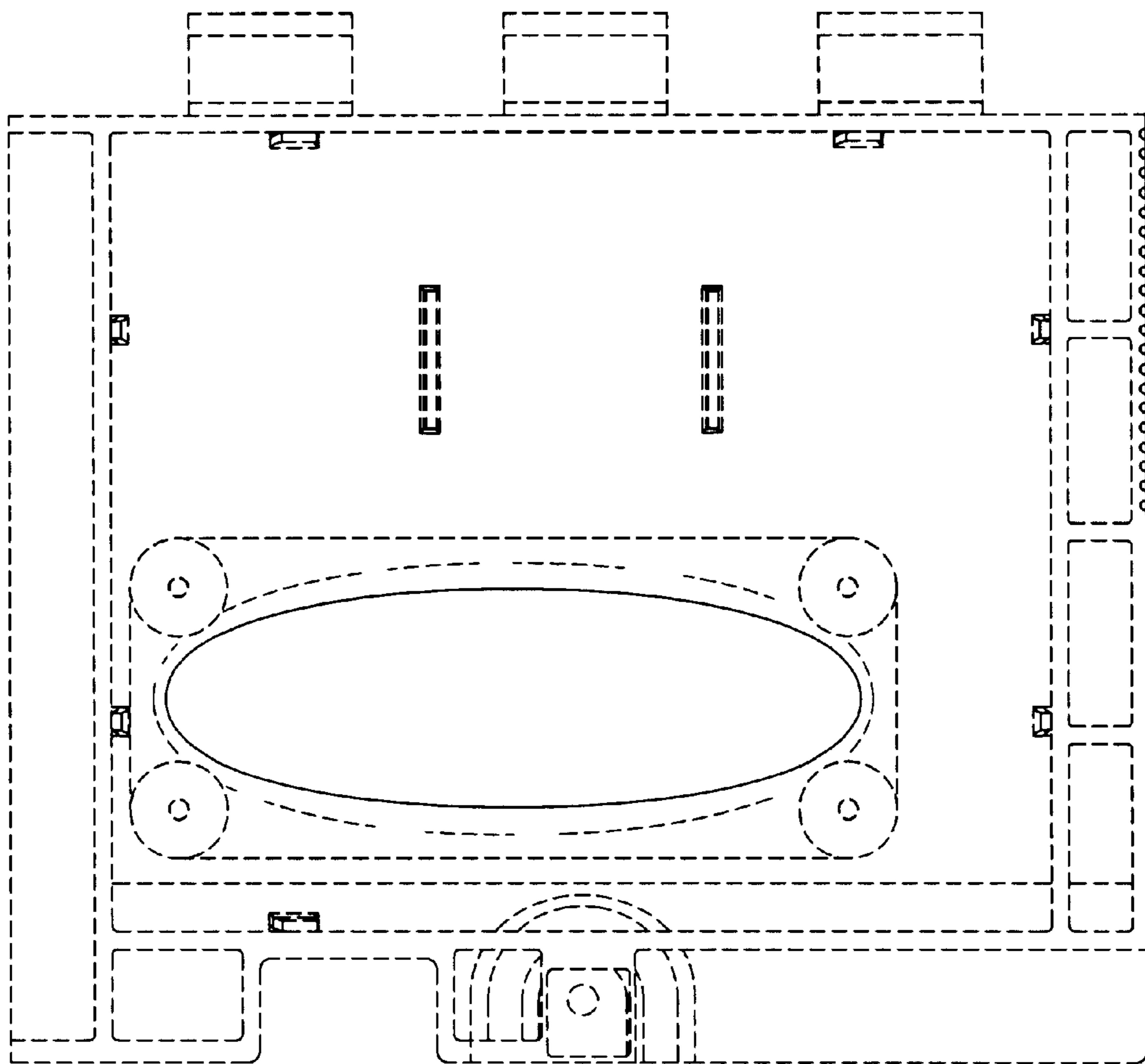


FIG. 5

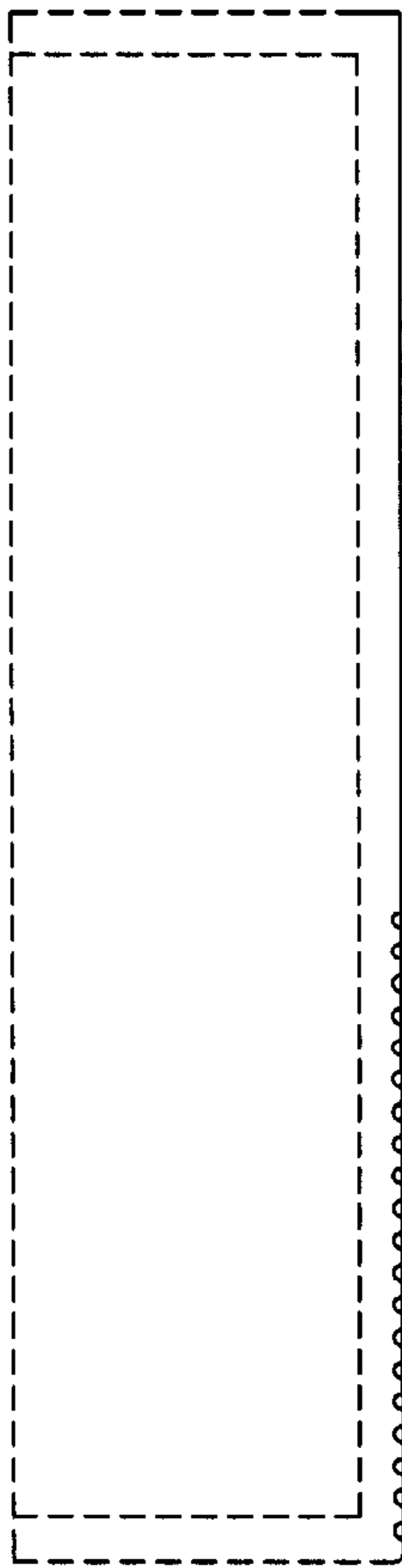


FIG. 6

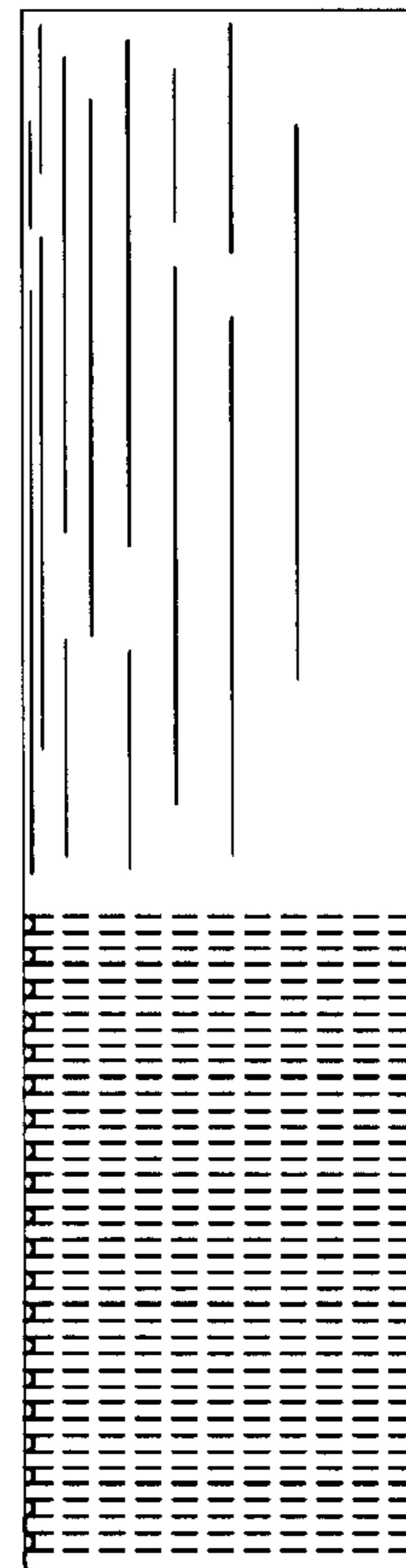


FIG. 7