



US00D518156S

(12) **United States Design Patent**
Normark

(10) **Patent No.:** **US D518,156 S**
(45) **Date of Patent:** **** Mar. 28, 2006**

(54) **PORTABLE AIR PURIFIER HOUSING**

D466,994 S * 12/2002 Yuen D23/364

(75) Inventor: **James Normark**, Mt. Carmel, TN (US)

* cited by examiner

(73) Assignee: **EccQuest International, Inc.**,
Greenville, TN (US)

Primary Examiner—Robin V. Taylor
(74) *Attorney, Agent, or Firm*—Baker, Donelson, Bearman,
Caldwell & Berkowitz

(**) Term: **14 Years**

(57) **CLAIM**

(21) Appl. No.: **29/211,651**

The ornamental design for a portable air purifier housing, as shown and described.

(22) Filed: **Aug. 19, 2004**

(51) **LOC (8) Cl.** **23-04**

(52) **U.S. Cl.** **D23/355**

(58) **Field of Classification Search** D23/355,
D23/364, 365, 356; 261/DIG. 65; 422/186.03;
361/230

See application file for complete search history.

DESCRIPTION

FIG. 1 is a perspective top and right front view of my new design for an air purifier housing mounted on a stand; FIG. 2 is a front elevational view thereof; FIG. 3 is a back elevational view thereof; FIG. 4 is a top plan view thereof; FIG. 5 is a bottom plan view thereof; FIG. 6 is a right side elevational view thereof; and, FIG. 7 is a left side elevational view thereof. The broken line showing is for illustrative purposes only and forms no part of the claimed design.

(56) **References Cited**

U.S. PATENT DOCUMENTS

- D327,537 S * 6/1992 Yuen D23/364
- D437,038 S * 1/2001 Chuan D23/364
- D440,290 S * 4/2001 Pinchuk D23/355

1 Claim, 3 Drawing Sheets

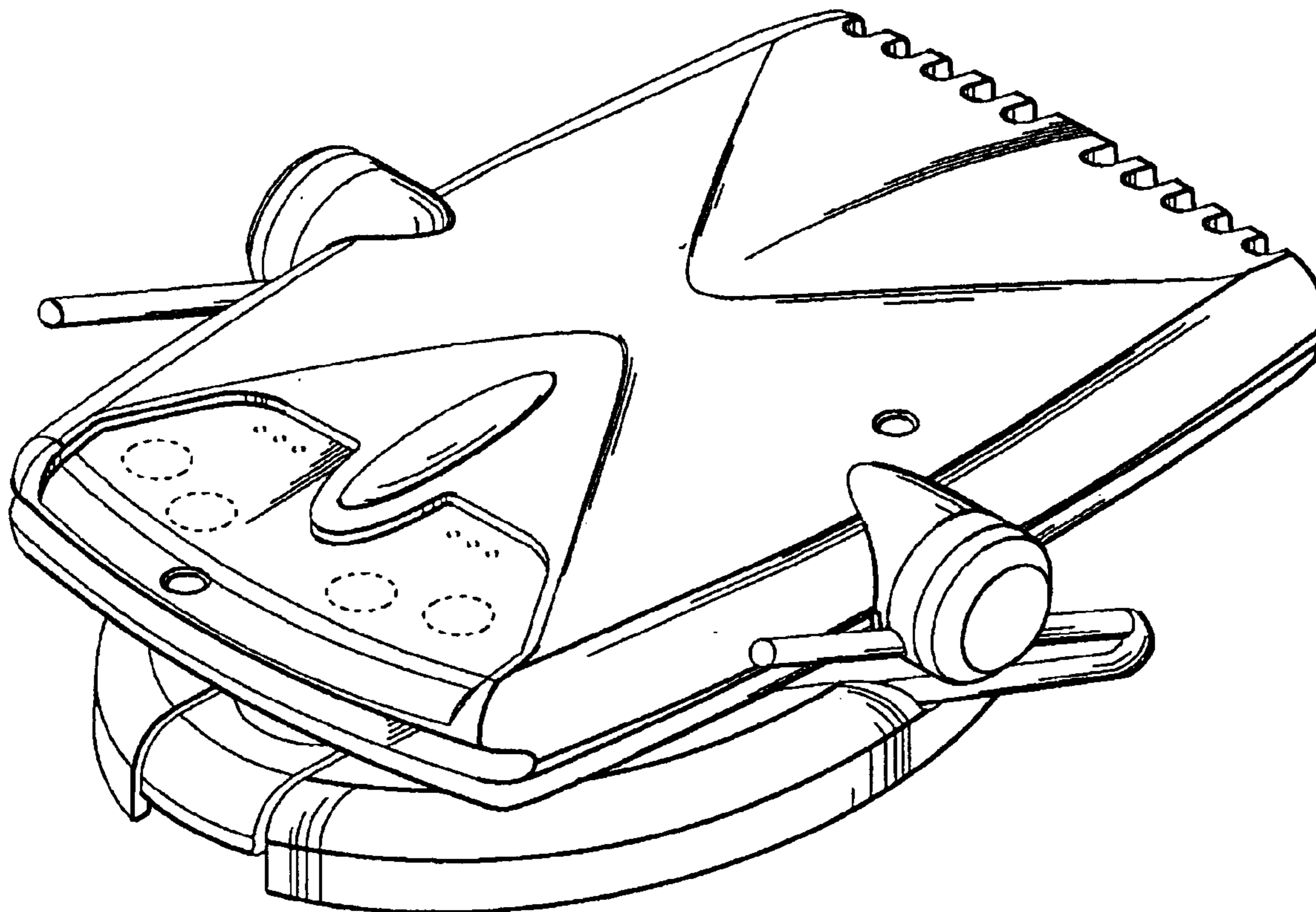


Fig. 1

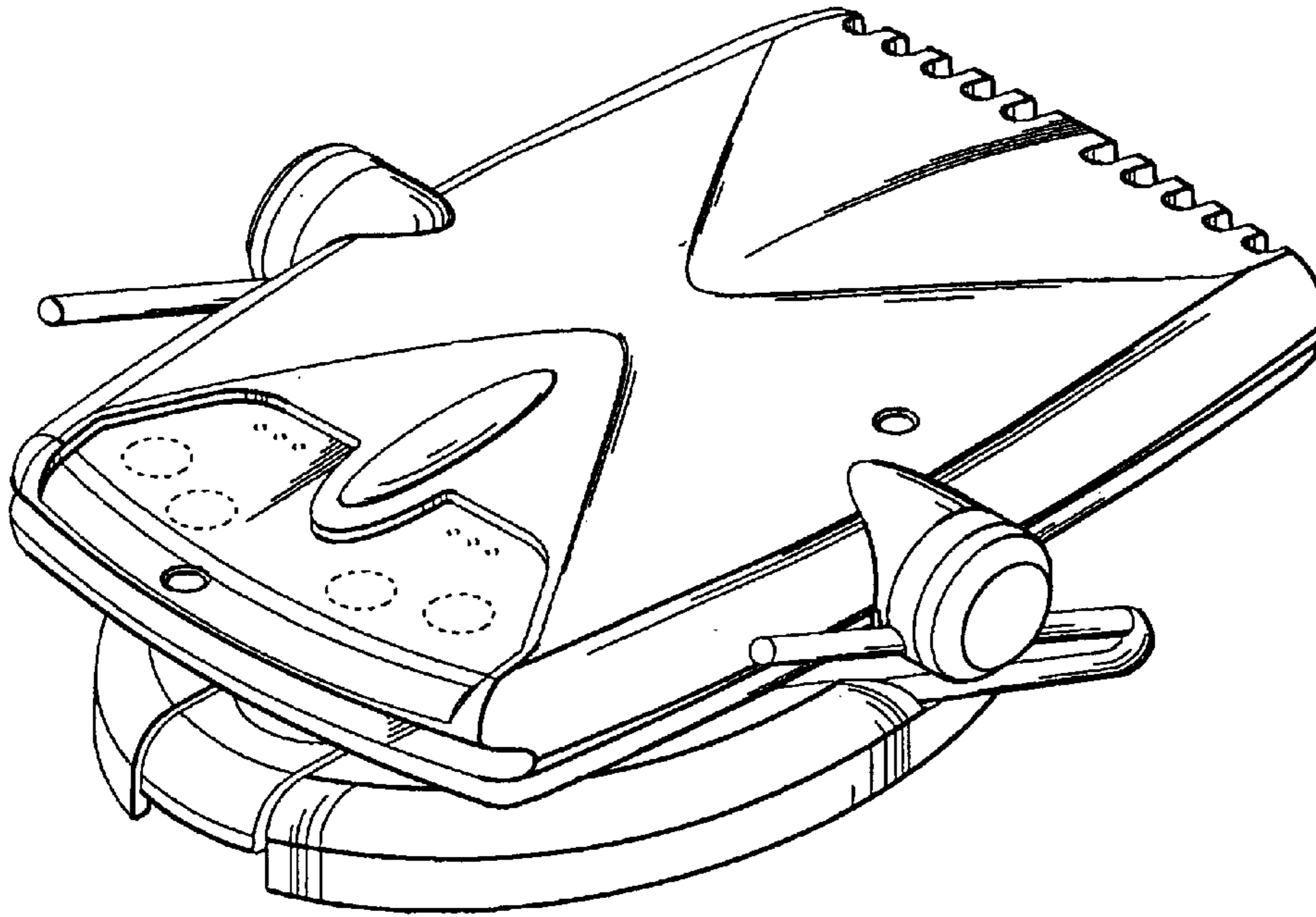


Fig. 2

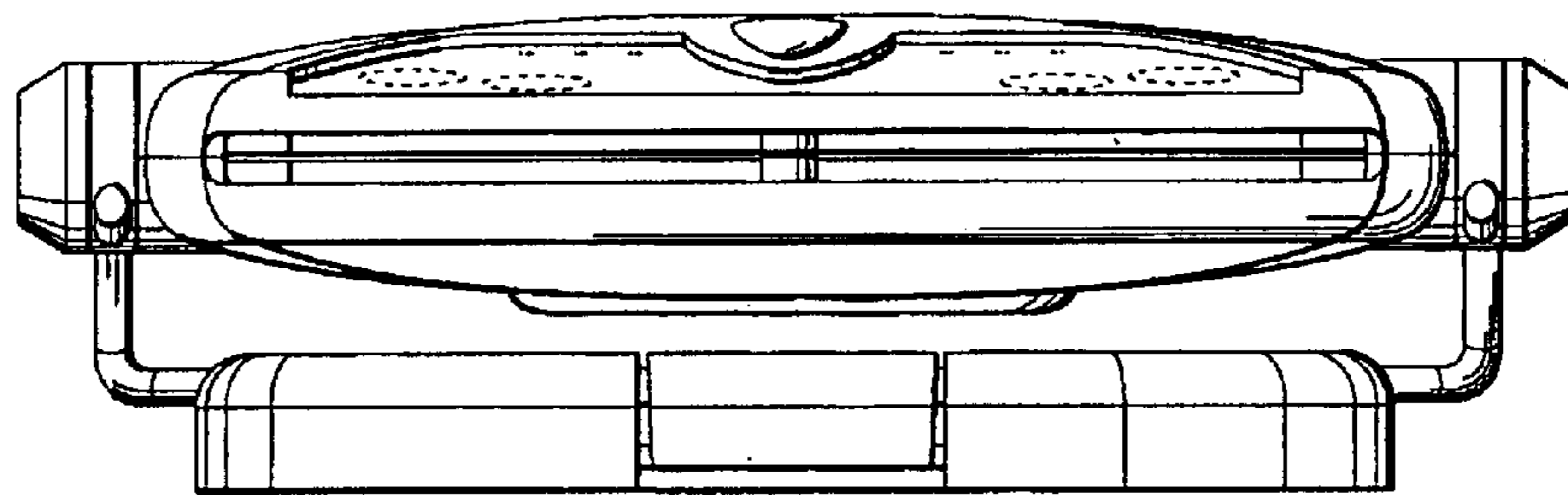


Fig. 3

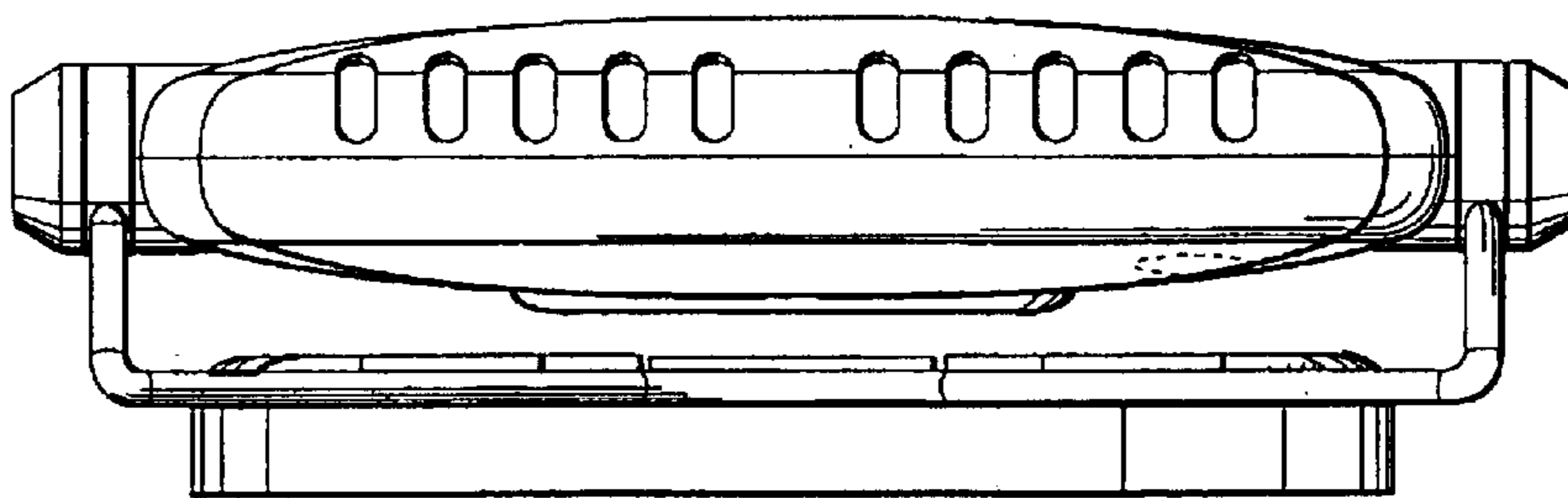


Fig. 5

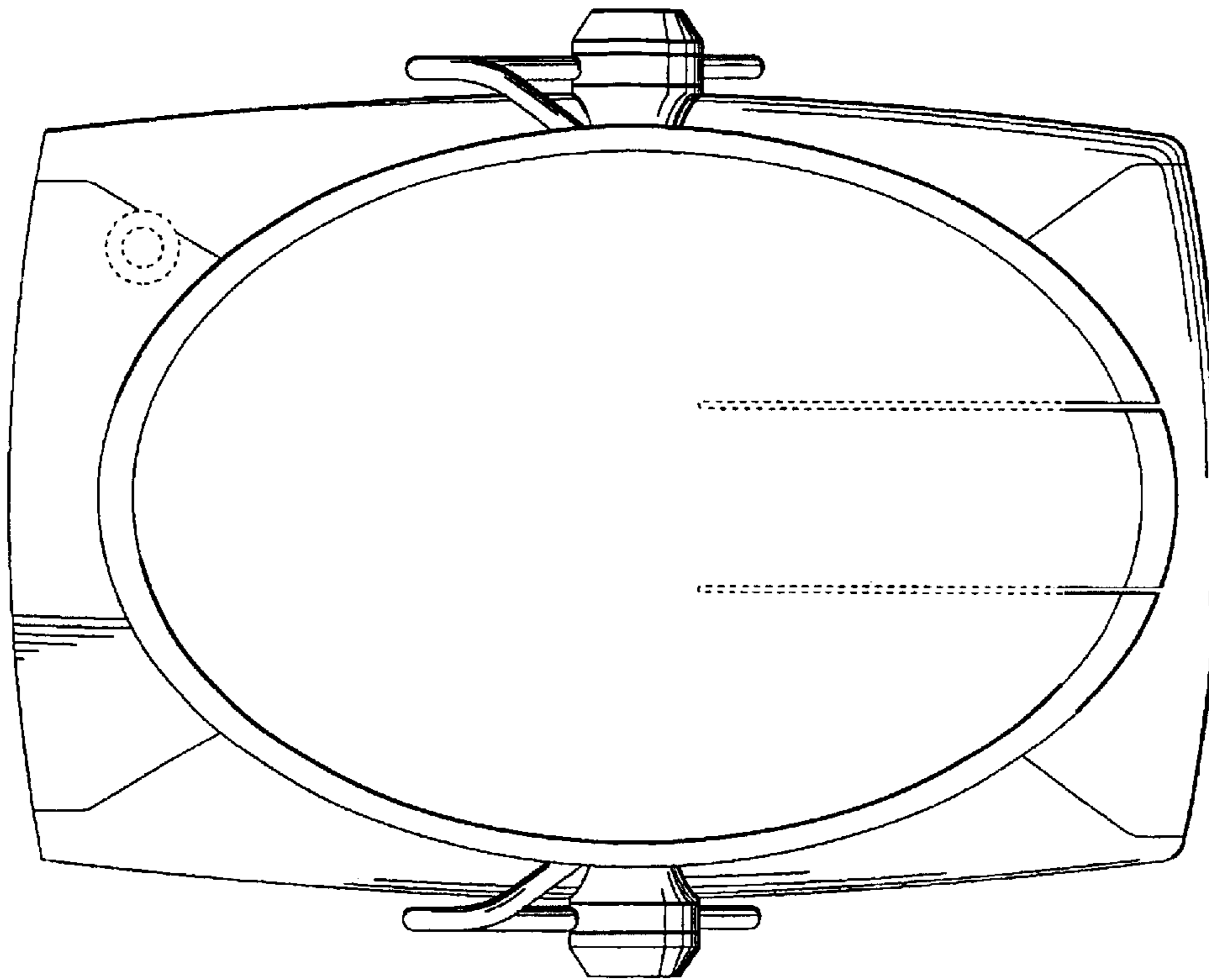


Fig. 4

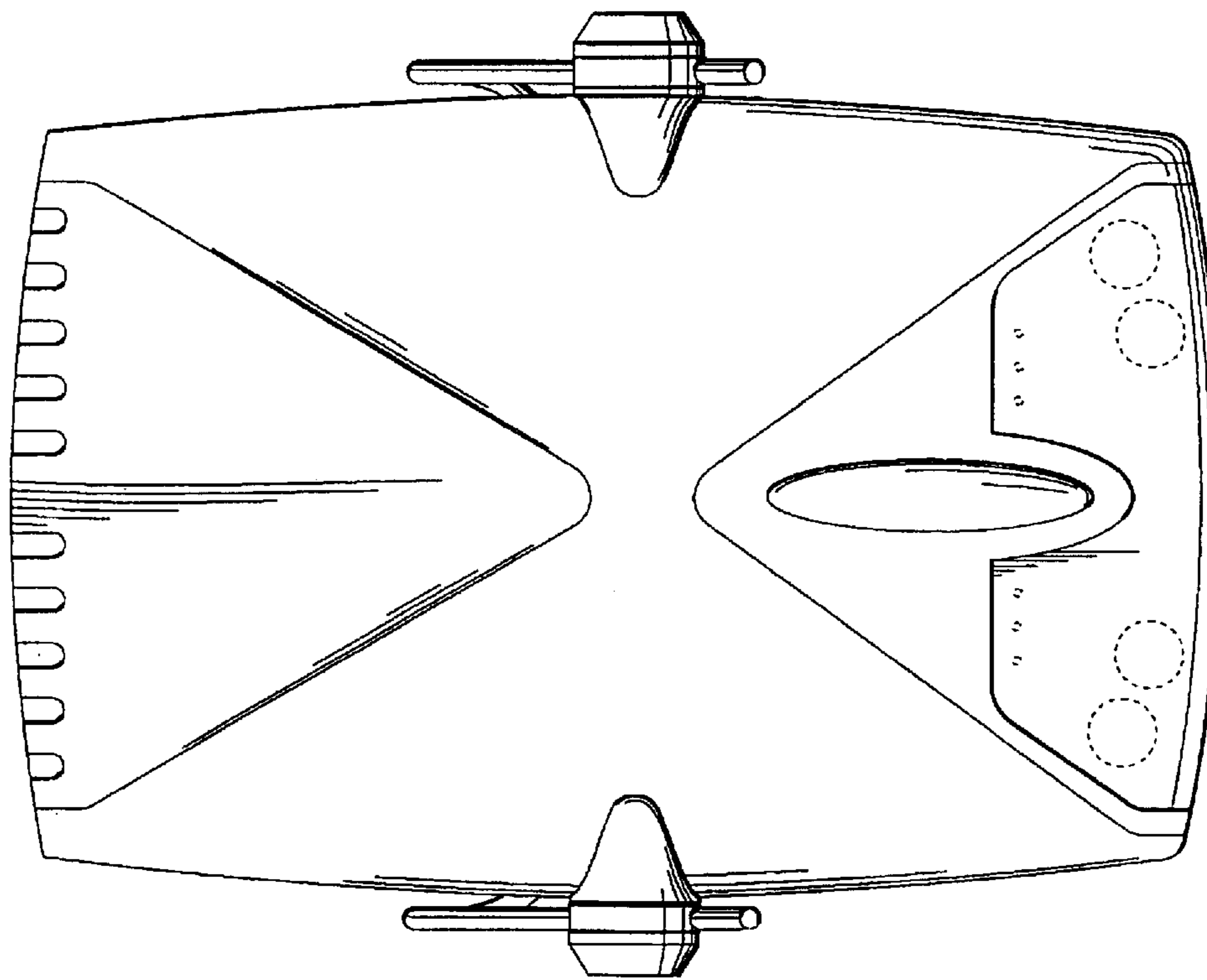


Fig. 6

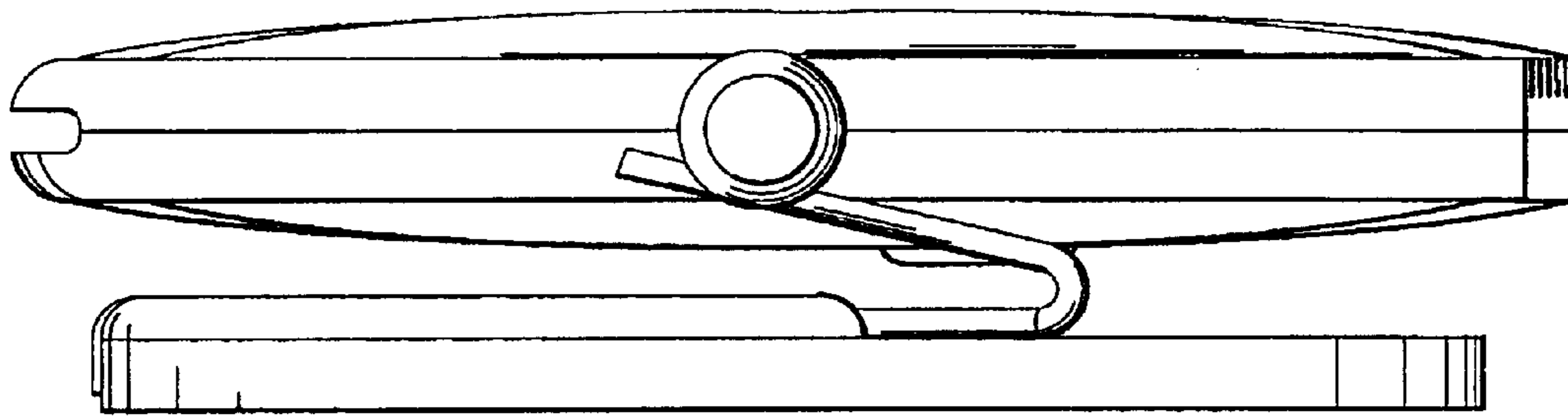


Fig. 7

