



US00D518155S

(12) **United States Design Patent**
Haug et al.

(10) **Patent No.:** **US D518,155 S**
(45) **Date of Patent:** **** Mar. 28, 2006**

(54) **SHOWER ARC**

(75) Inventors: **Andreas Haug**, Stuttgart (DE); **Tom Schonherr**, Stuttgart (DE); **Andreas Dimitriadis**, Lorch (DE); **Peter Kolin**, Schwäbisch Gmünd (DE)

(73) Assignee: **Hansgrohe AG** (DE)

(**) Term: **14 Years**

(21) Appl. No.: **29/229,250**

(22) Filed: **May 5, 2005**

(30) **Foreign Application Priority Data**

Nov. 25, 2004 (EM) 000259031-0001

(51) **LOC (8) Cl.** **23-02**

(52) **U.S. Cl.** **D23/304**

(58) **Field of Classification Search** D23/270-271, D23/275, 283, 303-304, 213, 266, 228-229; 4/546, 552, 605, 596-597, 615, 617, 601, 4/567; D8/354-356, 373; 248/229.1
See application file for complete search history.

(56) **References Cited**

U.S. PATENT DOCUMENTS

- 616,668 A * 12/1898 Hills 4/610
- 1,148,968 A * 8/1915 Jablonski 4/567
- 1,255,396 A * 2/1918 Eaton 4/601

- 1,426,519 A * 8/1922 Swift D23/275
- 2,336,402 A * 12/1943 Kaiser 4/601
- 3,971,074 A * 7/1976 Yxfeldt 4/601
- 5,692,252 A * 12/1997 Zvezdaryk 4/601
- D401,680 S * 11/1998 Tiernan D23/304

* cited by examiner

Primary Examiner—Robert A. Delehanty

(74) *Attorney, Agent, or Firm*—Kwadjo Adusei-Poku; Lloyd D. Doigan

(57) **CLAIM**

The ornamental design for a shower arc, as shown and described.

DESCRIPTION

FIG. 1 is a front perspective view of a shower arc showing our design;

FIG. 2 is a front elevational view of the shower arc;

FIG. 3 is a left-side elevational view thereof;

FIG. 4 is a right-side elevational view thereof;

FIG. 5 is a rear elevational view thereof;

FIG. 6 is a top plan view thereof; and

FIG. 7 is a bottom plan view thereof; and,

FIG. 8 is a perspective view of a second embodiment of a shower arc.

The broken line showing of showerhead and shower control is for illustrative purposes only and forms no part of the claimed design.

1 Claim, 7 Drawing Sheets

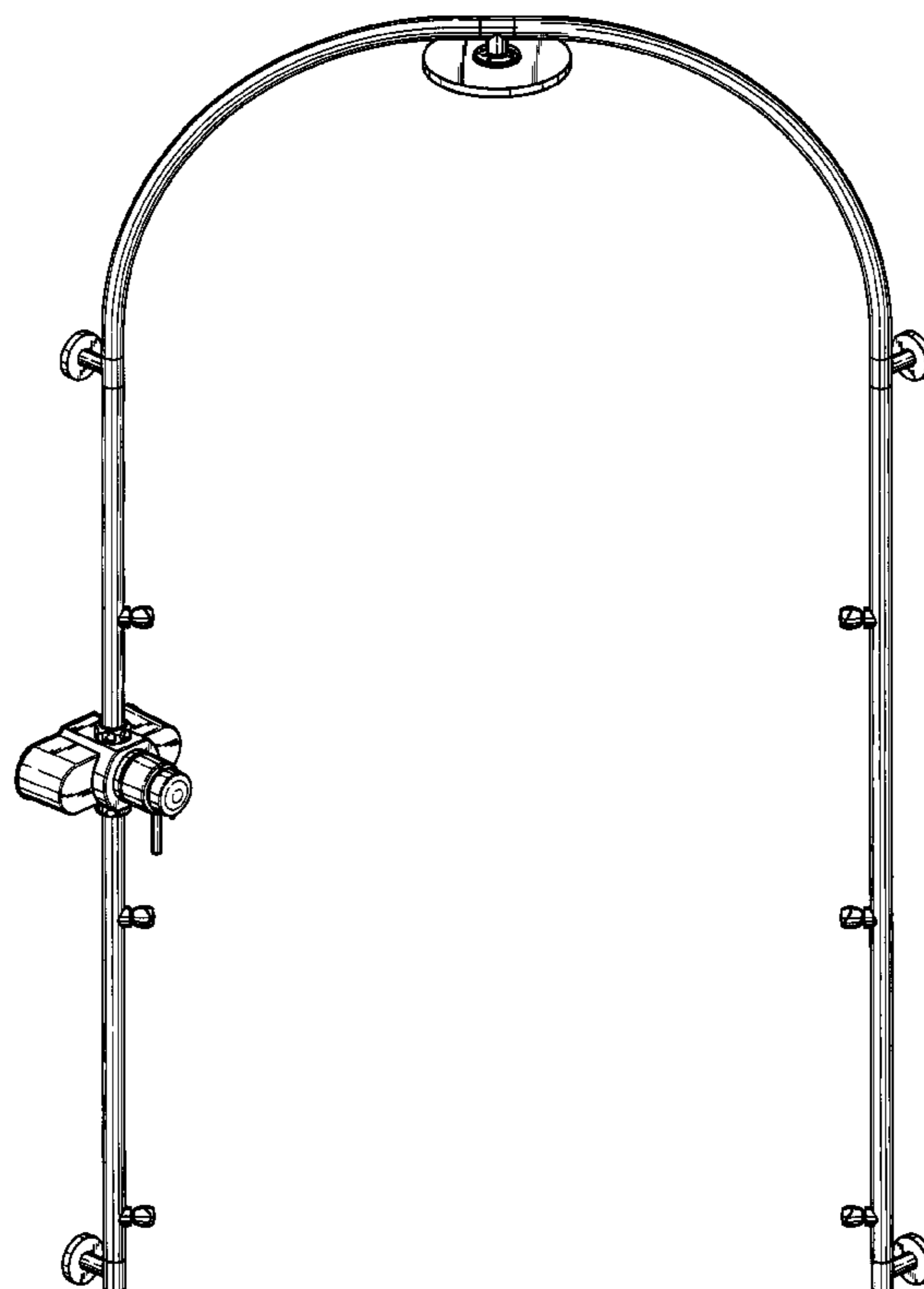


FIG. 1

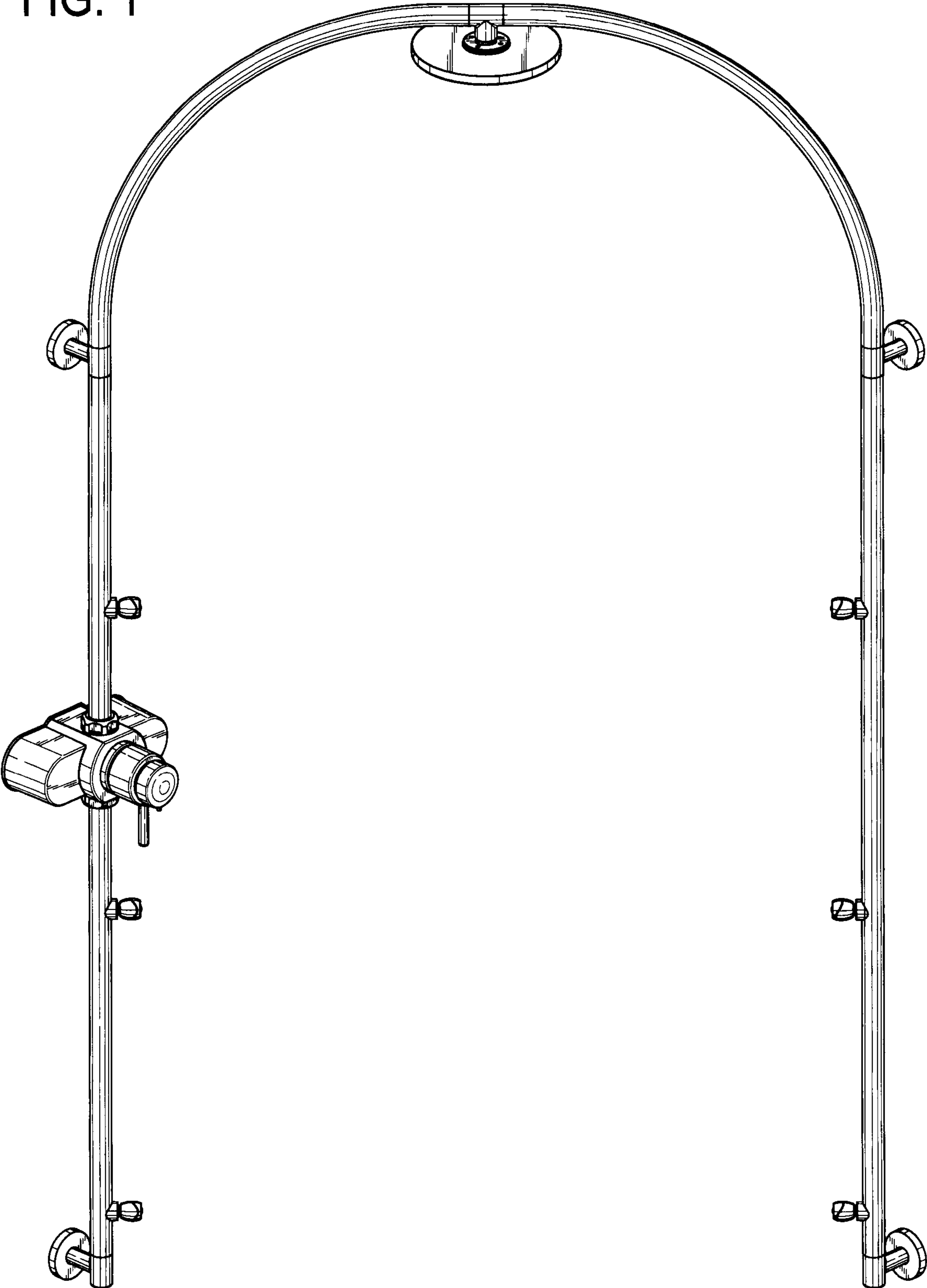


FIG. 2

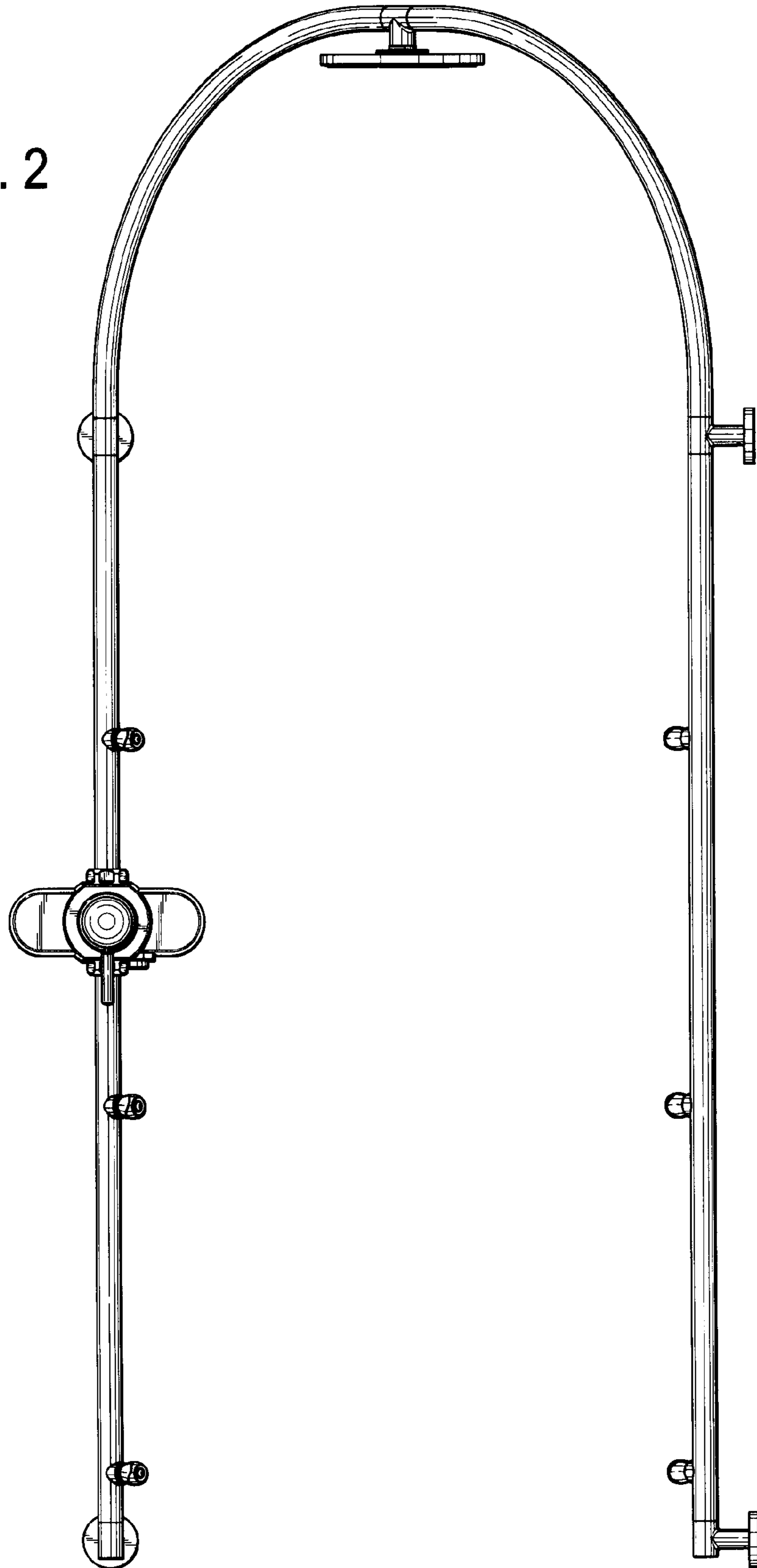


FIG. 3

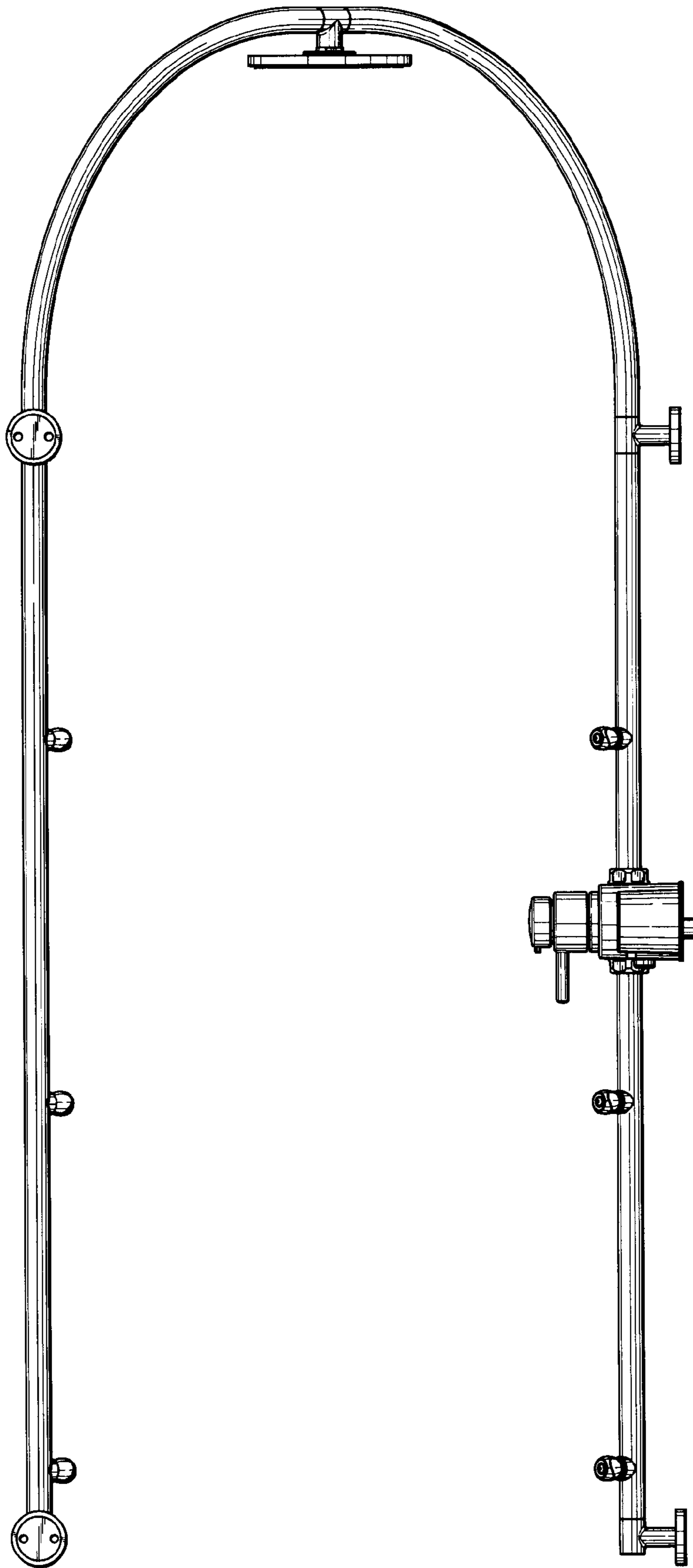


FIG. 4

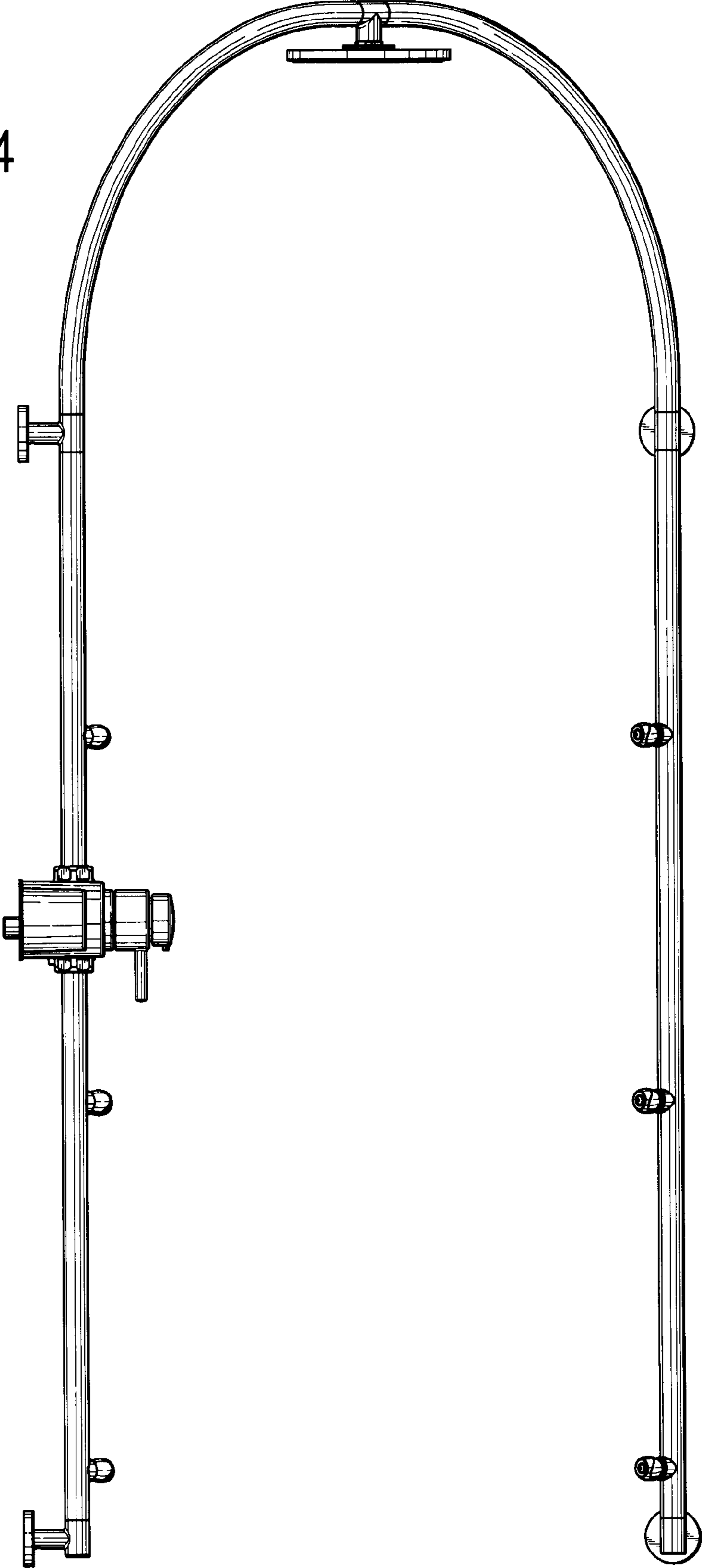
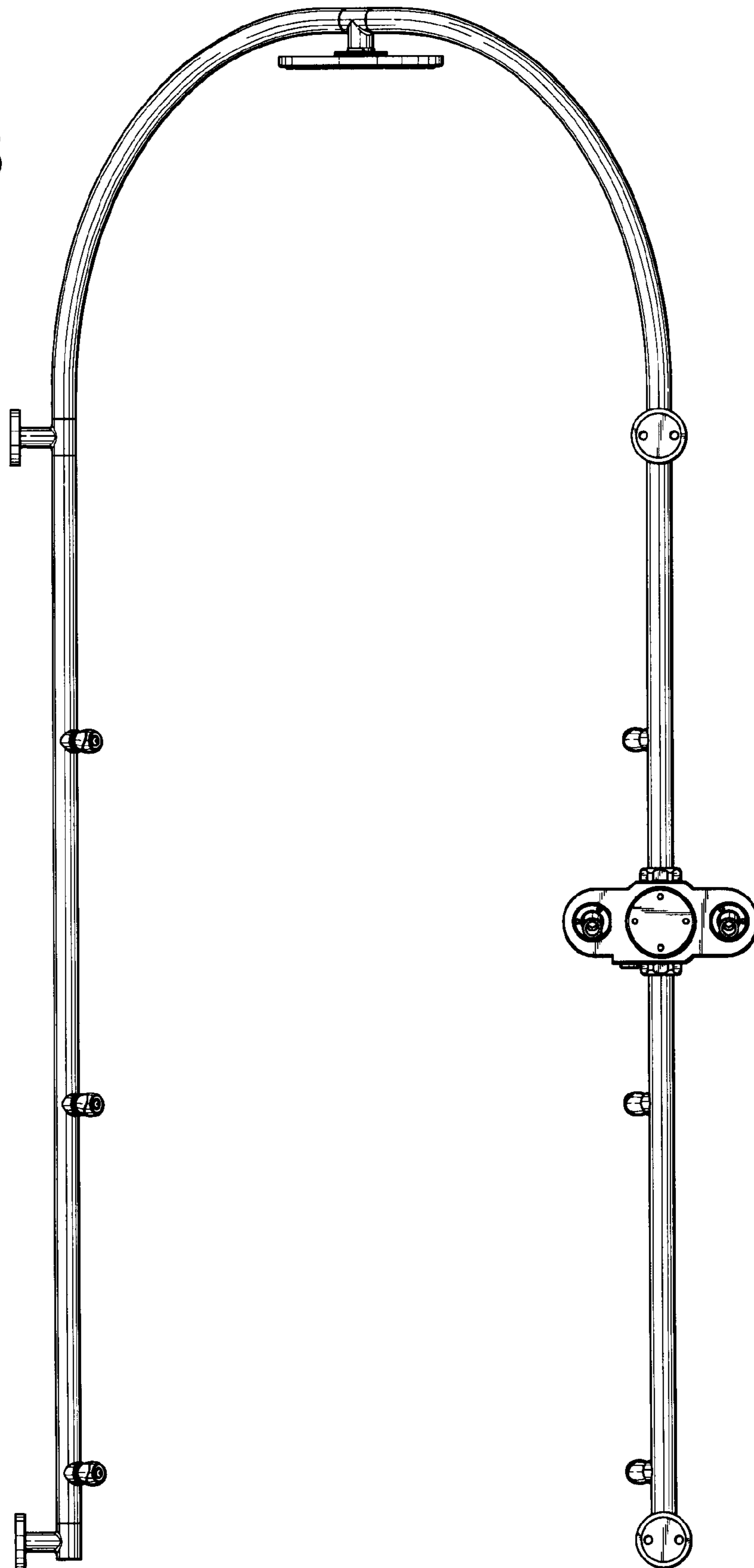


FIG. 5



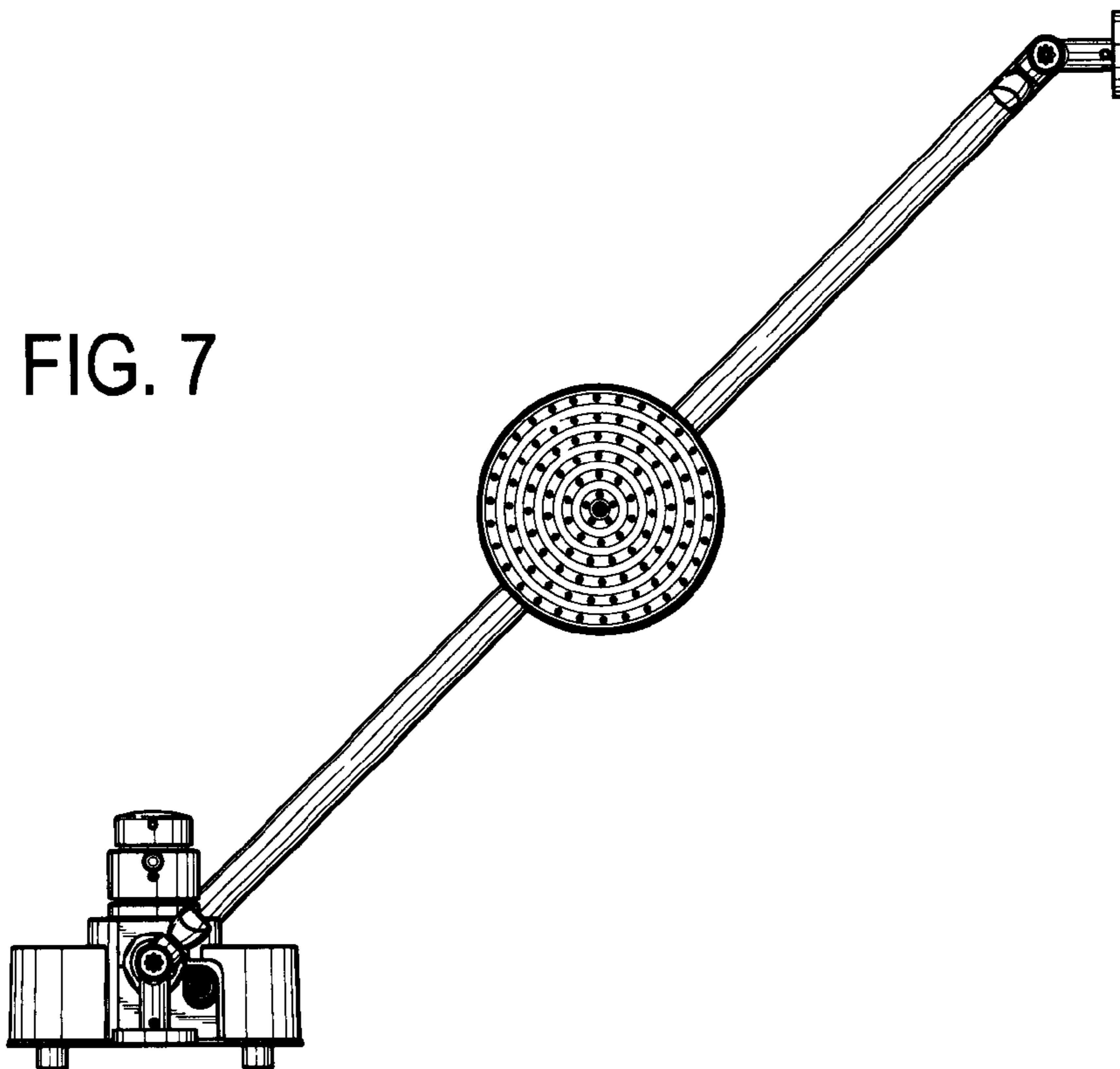
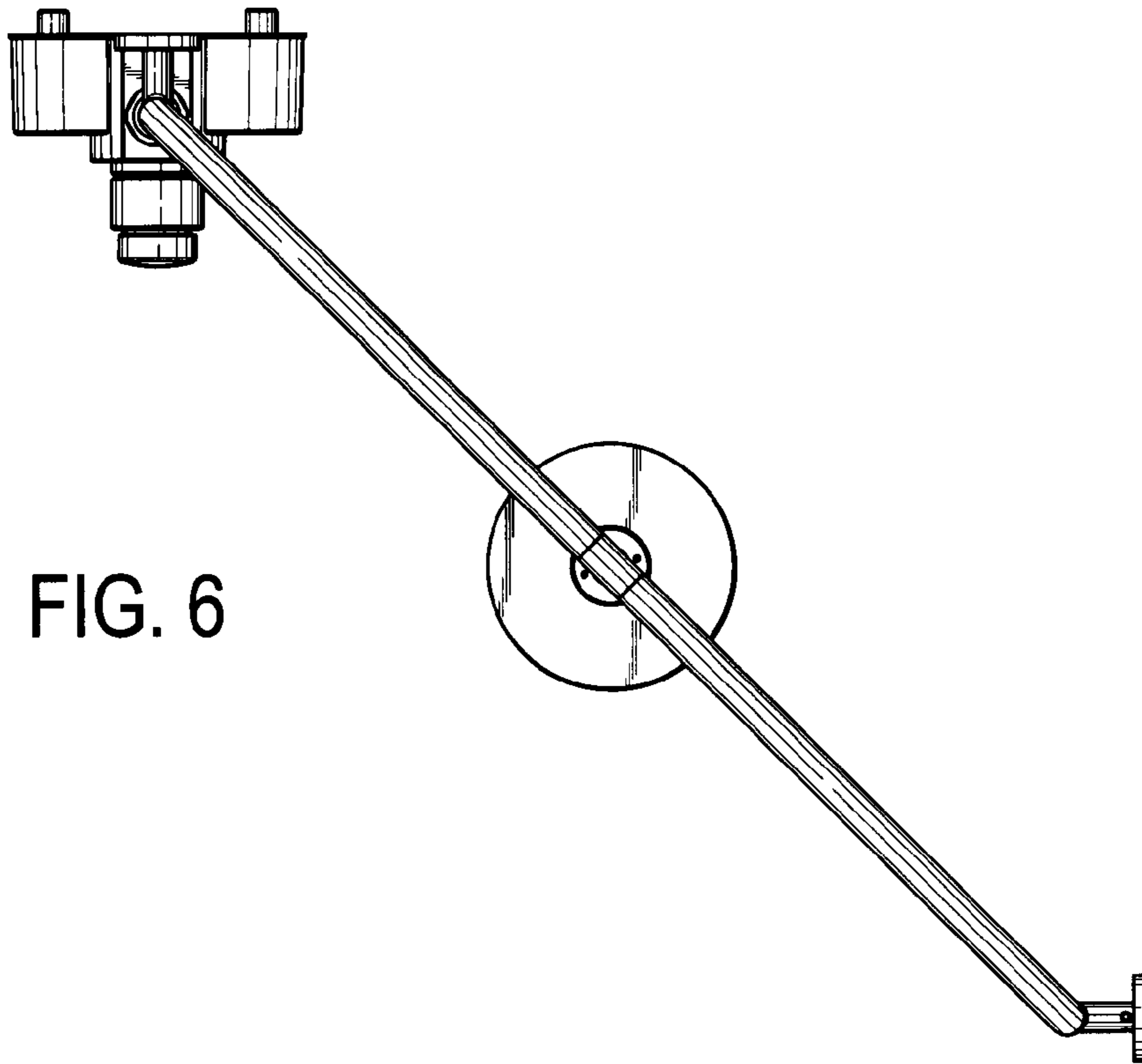


FIG. 8

