



US00D518154S

(12) **United States Design Patent**
Cropelli

(10) **Patent No.:** **US D518,154 S**

(45) **Date of Patent:** **** Mar. 28, 2006**

(54) **SHOWER STAND**

D379,218 S * 5/1997 Neufeld et al. D23/304
D384,129 S * 9/1997 Neufeld et al. D23/304
D462,425 S * 9/2002 Tse D23/304

(76) Inventor: **Serafino Cropelli**, Via Veneto, 76,
25069 Cailina di Villa Carcina (IT)

* cited by examiner

(**) Term: **14 Years**

Primary Examiner—Robert A. Delehanty

(21) Appl. No.: **29/195,947**

(74) *Attorney, Agent, or Firm*—Sofer & Haroun, LLP

(22) Filed: **Dec. 18, 2003**

(57) **CLAIM**

(30) **Foreign Application Priority Data**

I claim the ornamental design for a shower stand, as shown.

Jul. 2, 2003 (EP) I 000054812

DESCRIPTION

(51) **LOC (8) Cl.** **23-02**

(52) **U.S. Cl.** **D23/304**

(58) **Field of Classification Search** D23/270–271,
D23/275, 283, 303–304, 213, 266, 228–229;
4/546, 552, 605, 596–597, 615, 617, 601;
D8/354–356, 373; 248/229.1, 314
See application file for complete search history.

FIG. 1 is a front perspective view of a shower stand showing
my new design;

FIG. 2 is a left side view thereof;

FIG. 3 is a front view thereof;

FIG. 4 is a right side view thereof;

FIG. 5 is a top end view thereof; and,

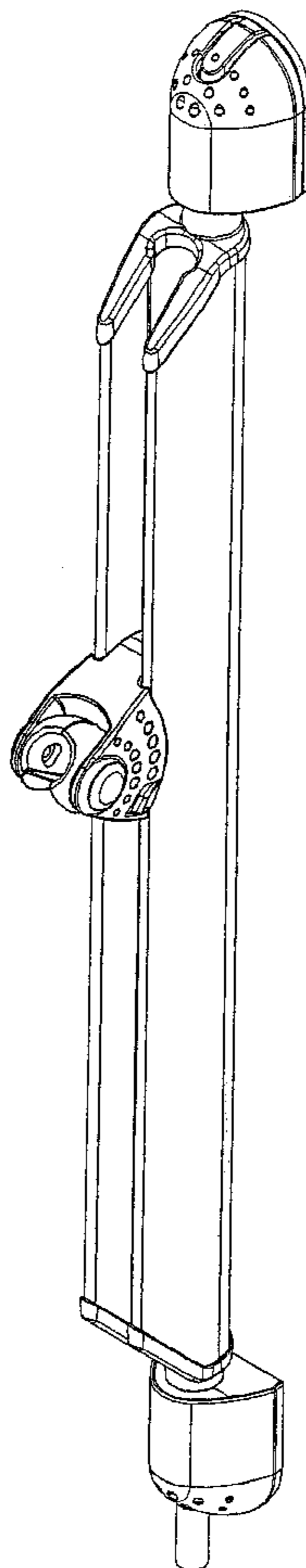
FIG. 6 is a bottom end view thereof.

(56) **References Cited**

U.S. PATENT DOCUMENTS

3,499,626 A * 3/1970 Barker 248/314

1 Claim, 2 Drawing Sheets



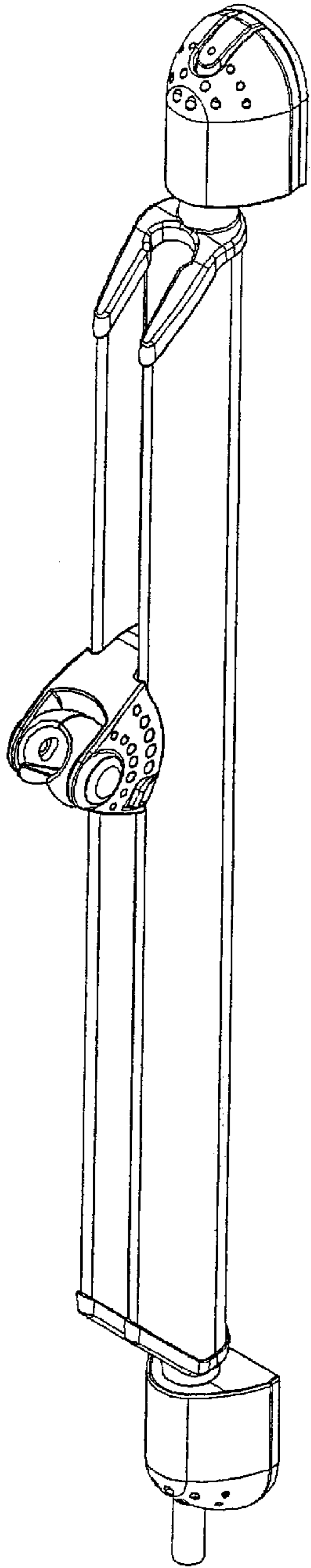


FIGURE 1

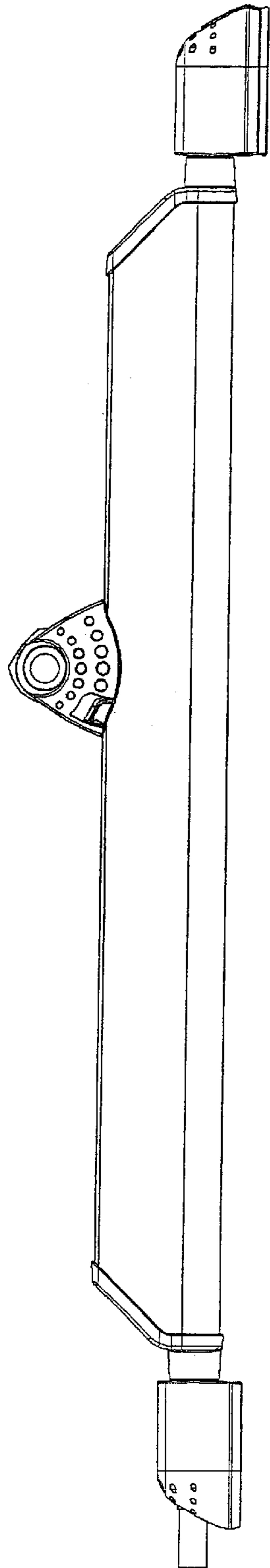


FIGURE 2

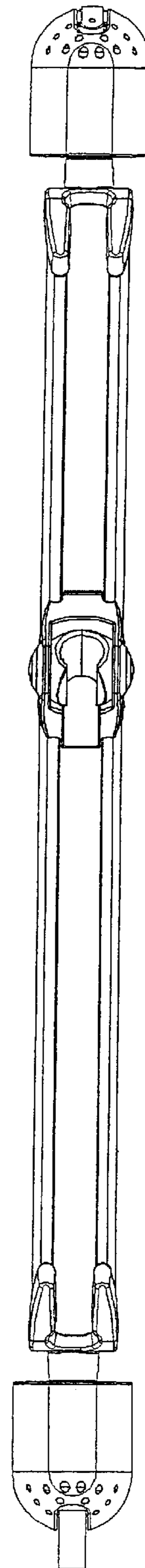


FIGURE 3

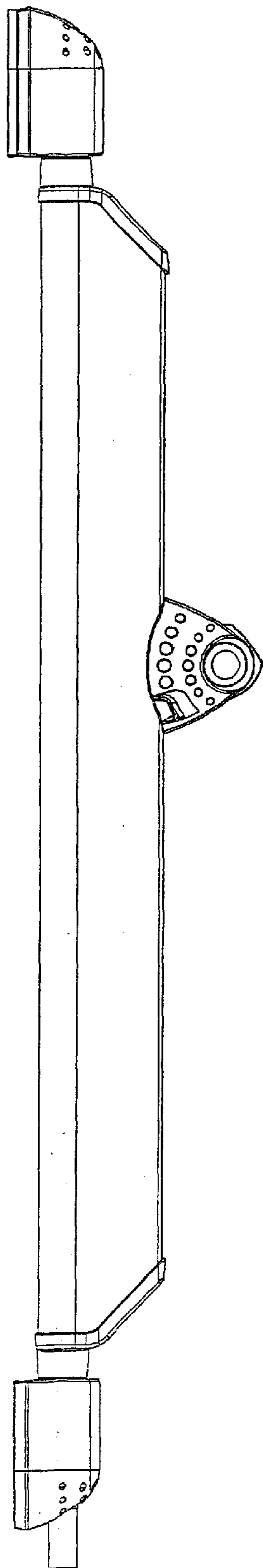


FIGURE 4

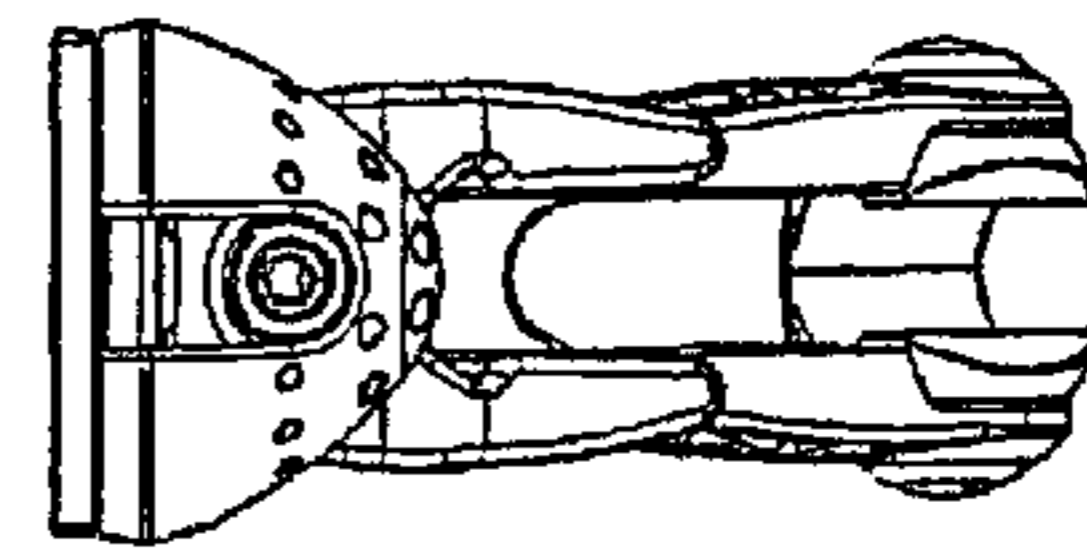


FIGURE 6

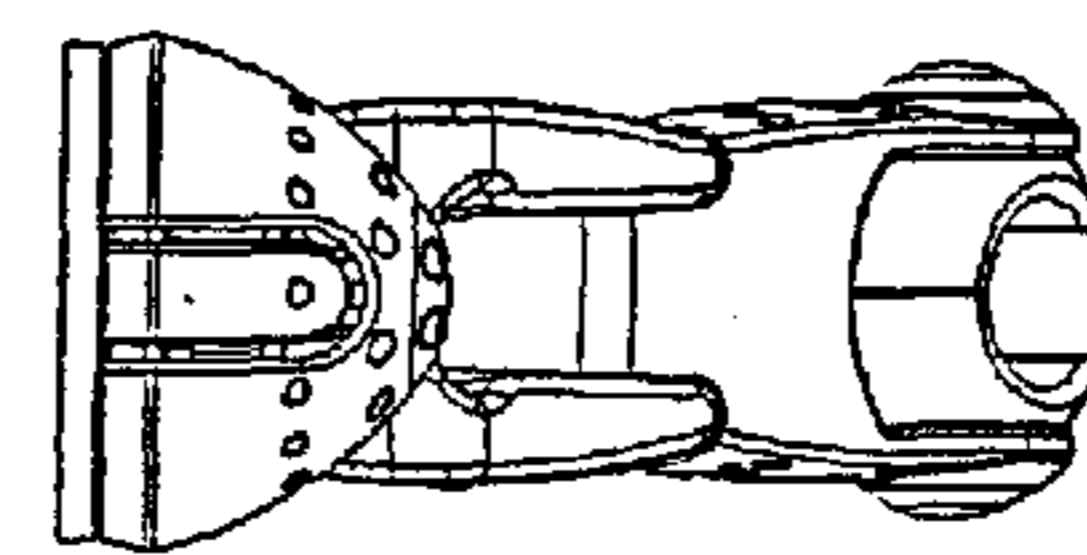


FIGURE 5