

US00D518150S

(12) **United States Design Patent**
Chu

(10) **Patent No.:** **US D518,150 S**

(45) **Date of Patent:** **** Mar. 28, 2006**

(54) **FAUCET**

D463,533 S * 9/2002 Ko D23/242
D475,764 S * 6/2003 Singtoroj D23/241

(75) Inventor: **Aaron Chu**, Taichung (TW)

* cited by examiner

(73) Assignee: **Globe Union Industrial Corp.**,
Taichung (TW)

Primary Examiner—Louis S. Zarfes

Assistant Examiner—Gregory Andoll

(**) Term: **14 Years**

(74) *Attorney, Agent, or Firm*—Troxell Law Office, PLLC

(21) Appl. No.: **29/224,626**

(57) **CLAIM**

(22) Filed: **Mar. 7, 2005**

The ornamental design for faucet, as shown and described.

(51) **LOC (8) Cl.** **23-01**

(52) **U.S. Cl.** **D23/241; D23/242**

(58) **Field of Classification Search** D23/238–257;
4/675–678; 137/801

See application file for complete search history.

DESCRIPTION

FIG. 1 is a perspective view of faucet showing my new design;

FIG. 2 is a front elevational view thereof;

FIG. 3 is a rear elevational view thereof;

FIG. 4 is a left elevational view thereof;

FIG. 5 is a right elevational view thereof; and,

FIG. 6 is a top plan view thereof.

The bottom forms no part of the claimed design and the broken lines in the Figures are for illustrative purposes only and form no part of the the claimed designs.

(56) **References Cited**

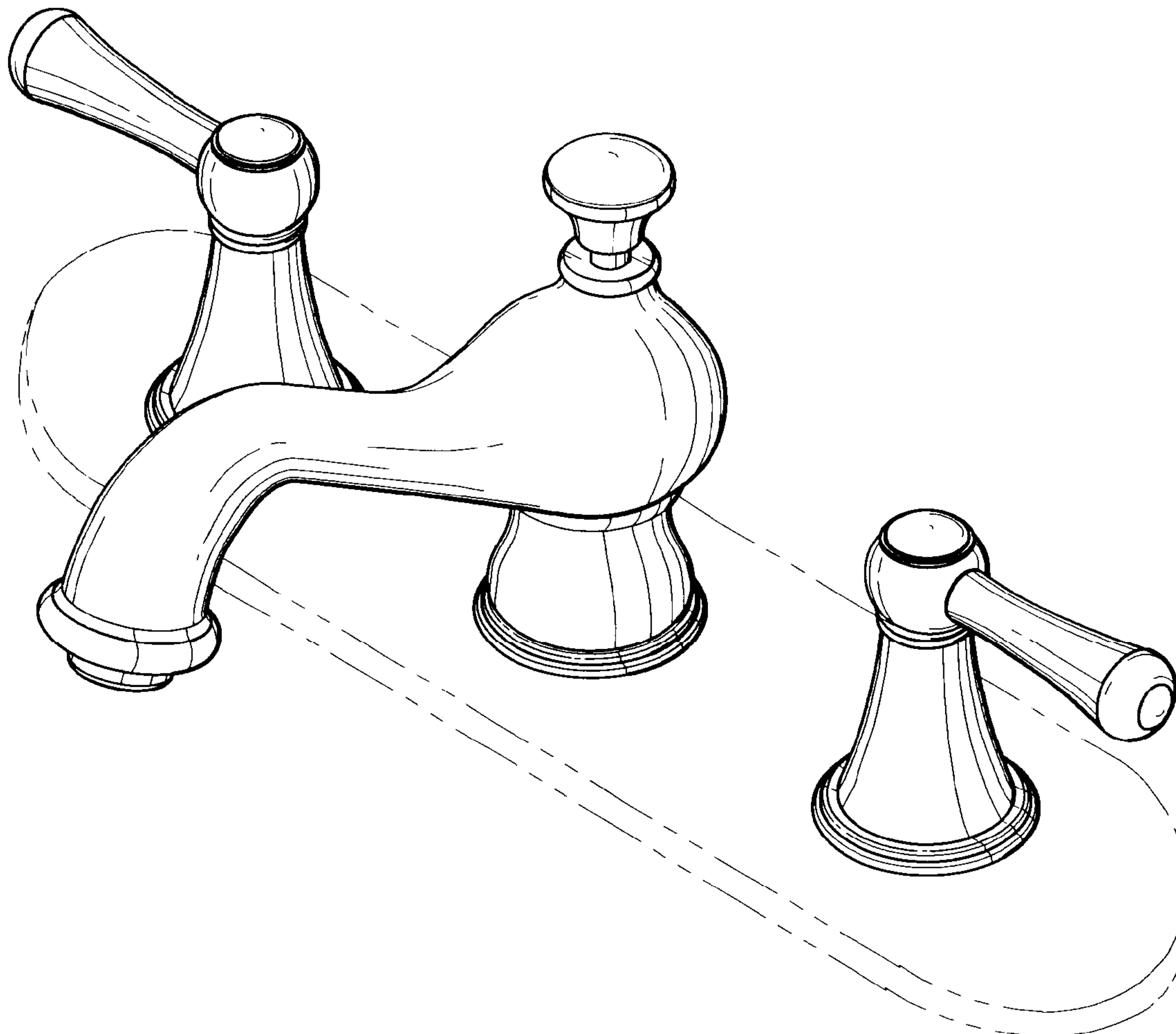
U.S. PATENT DOCUMENTS

D293,362 S * 12/1987 Hill et al. D23/241

D318,901 S * 8/1991 Rodstein D23/242

D420,102 S * 2/2000 Warshawsky et al. D23/241

1 Claim, 6 Drawing Sheets



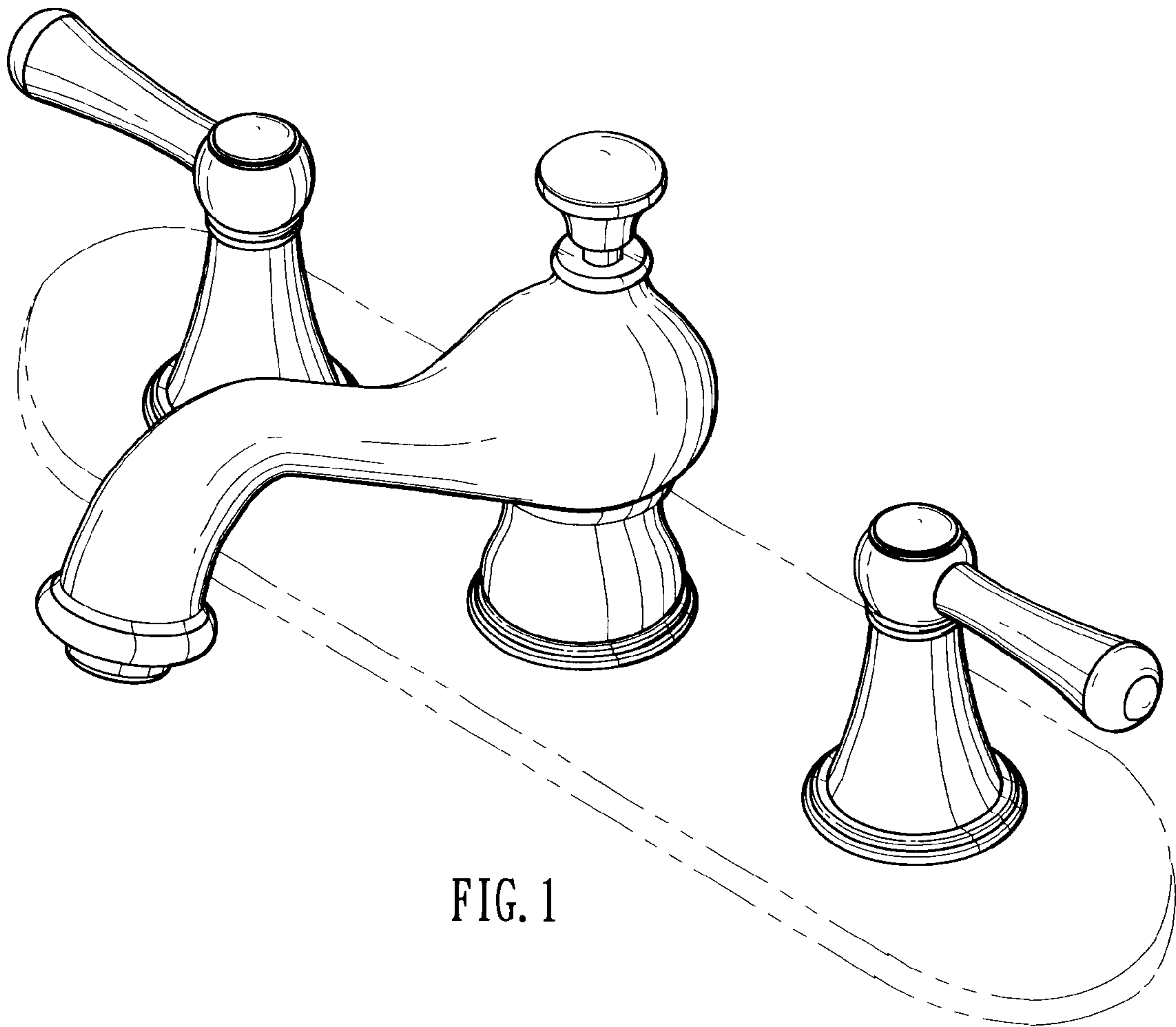


FIG. 1

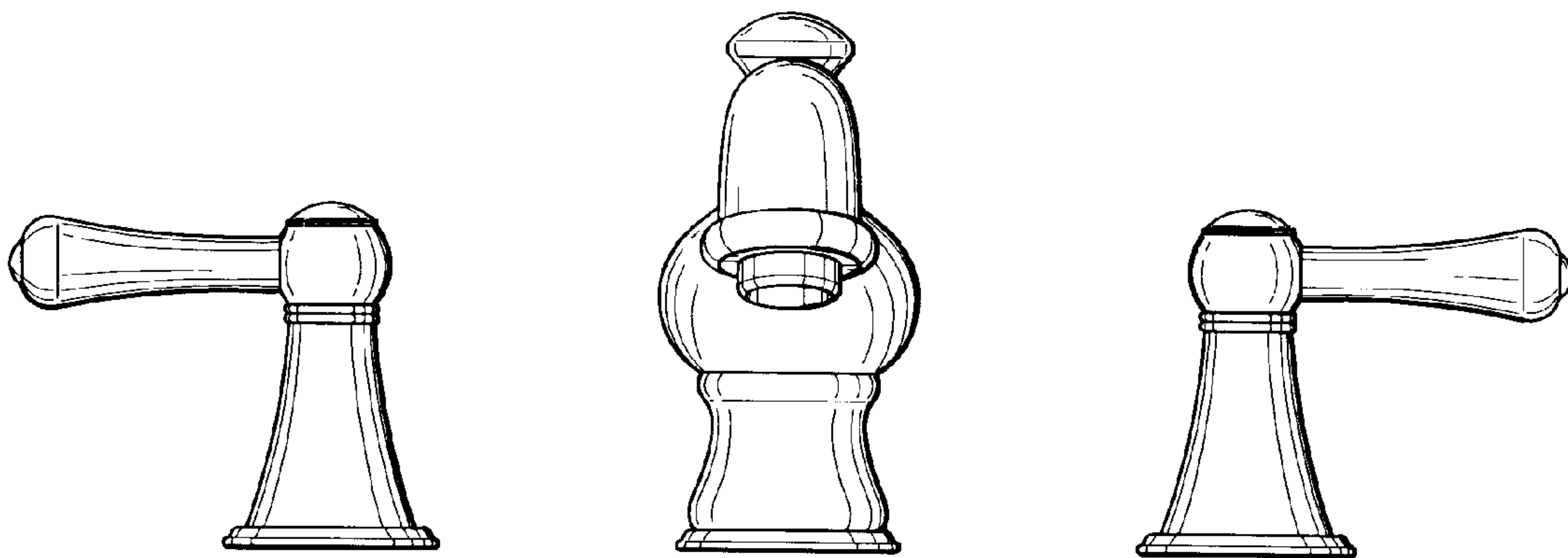


FIG. 2

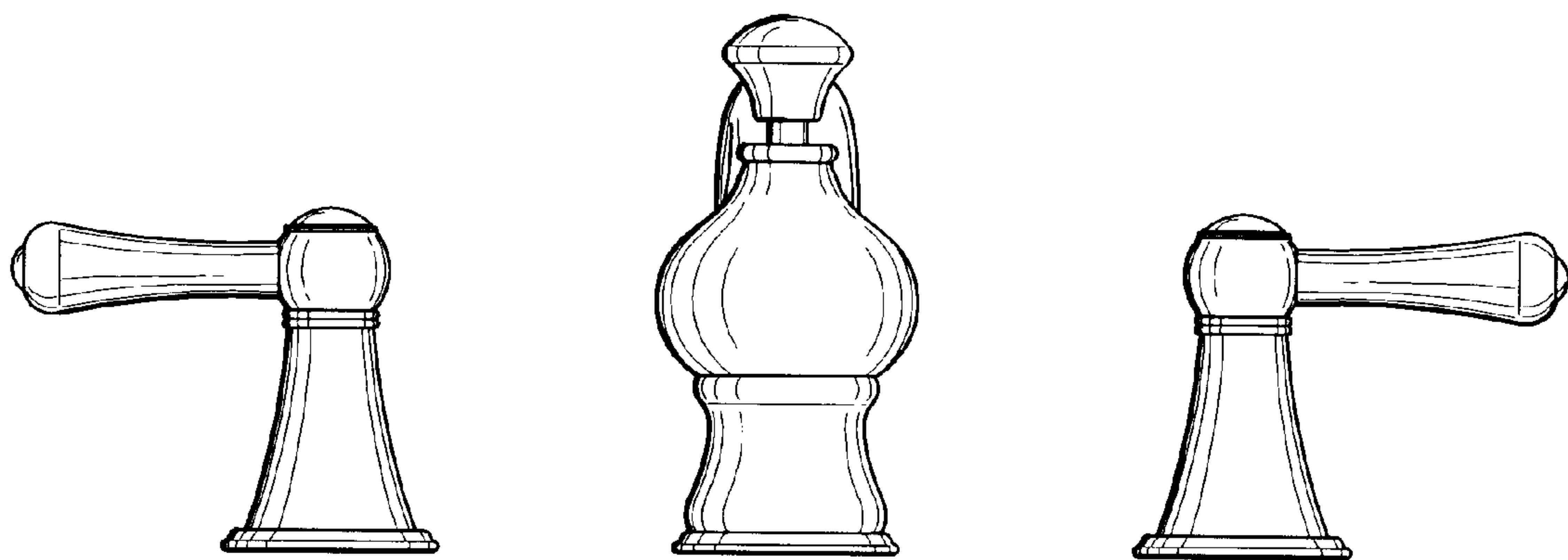


FIG. 3

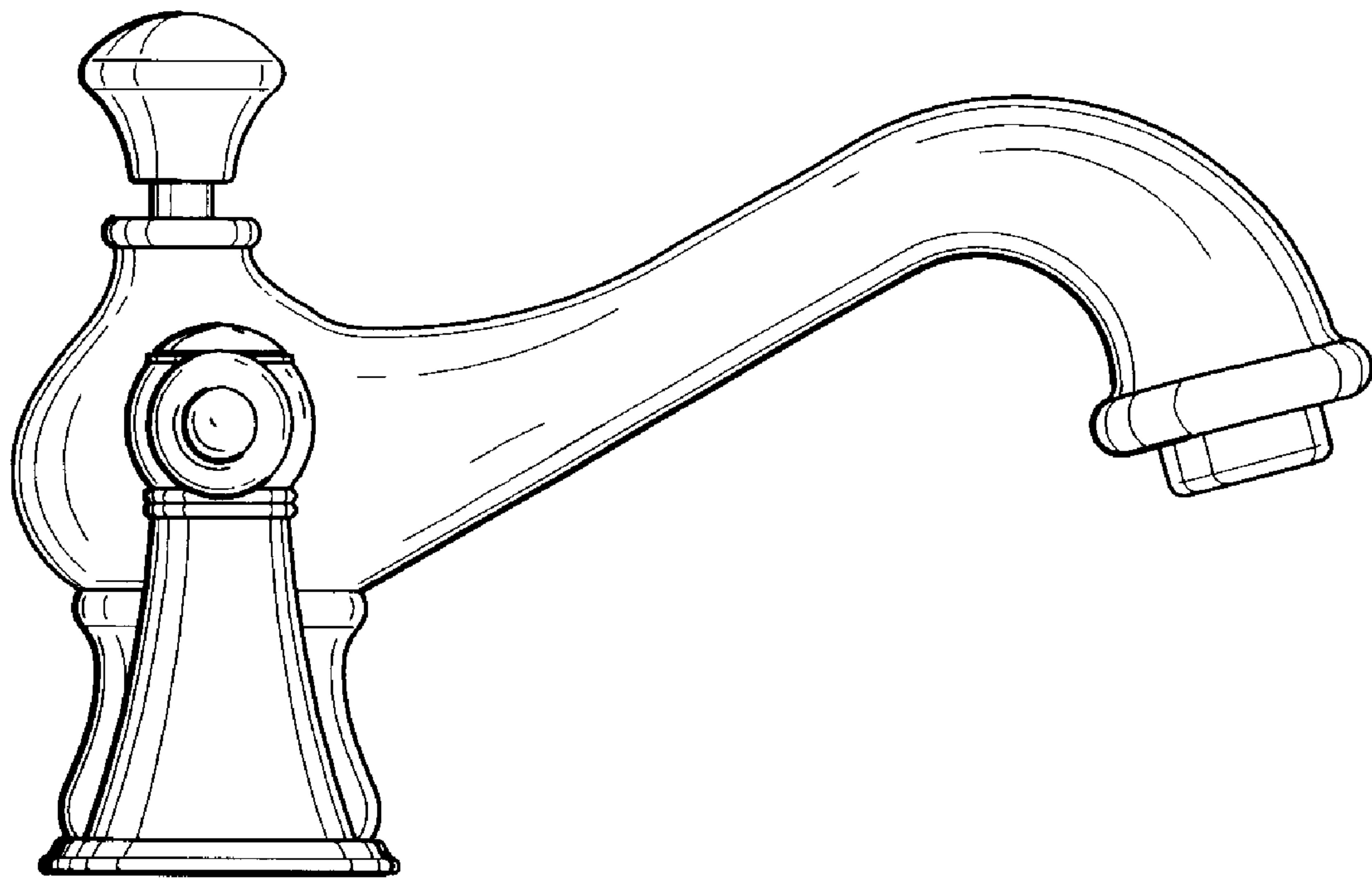


FIG. 4

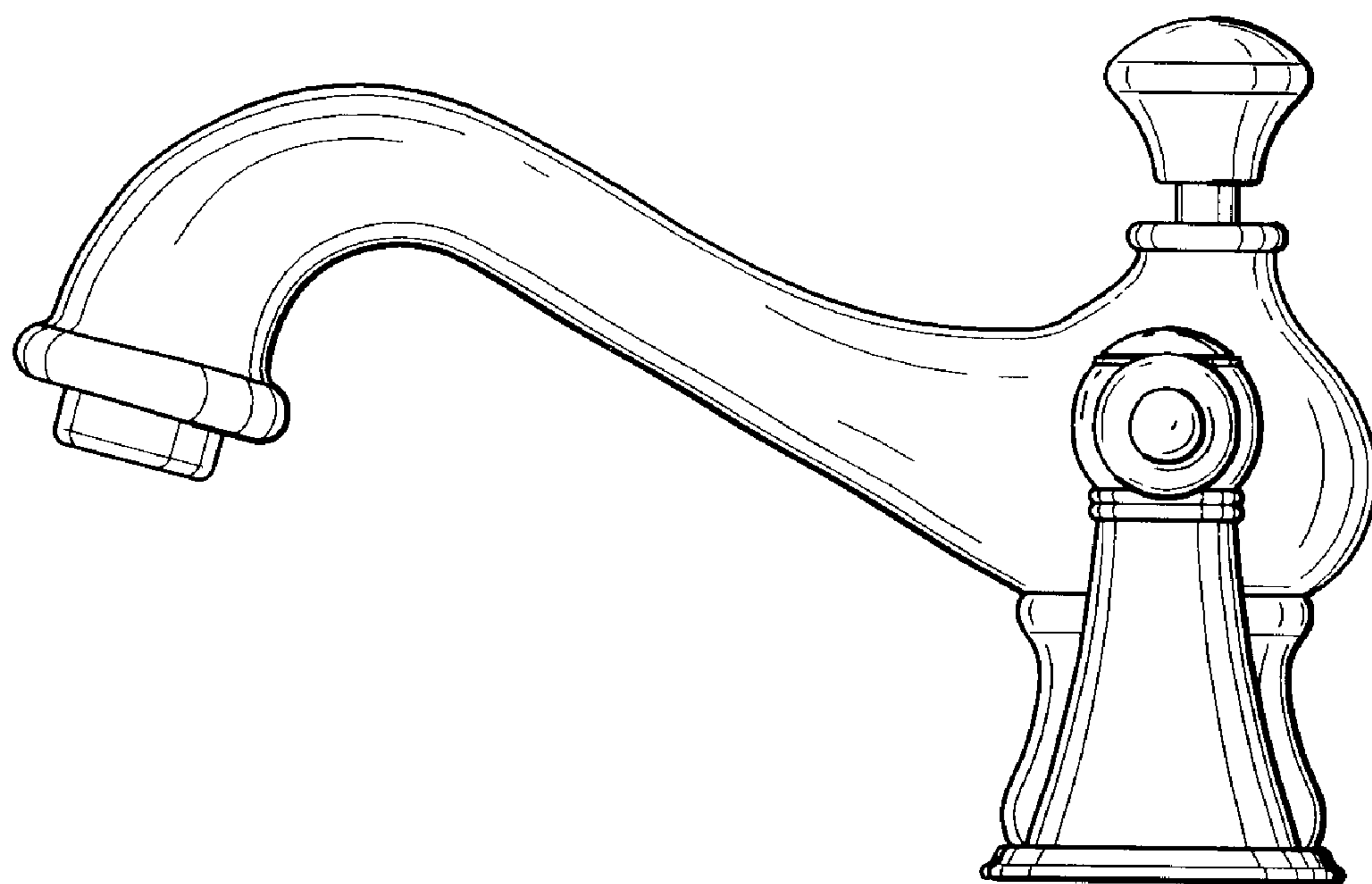


FIG. 5

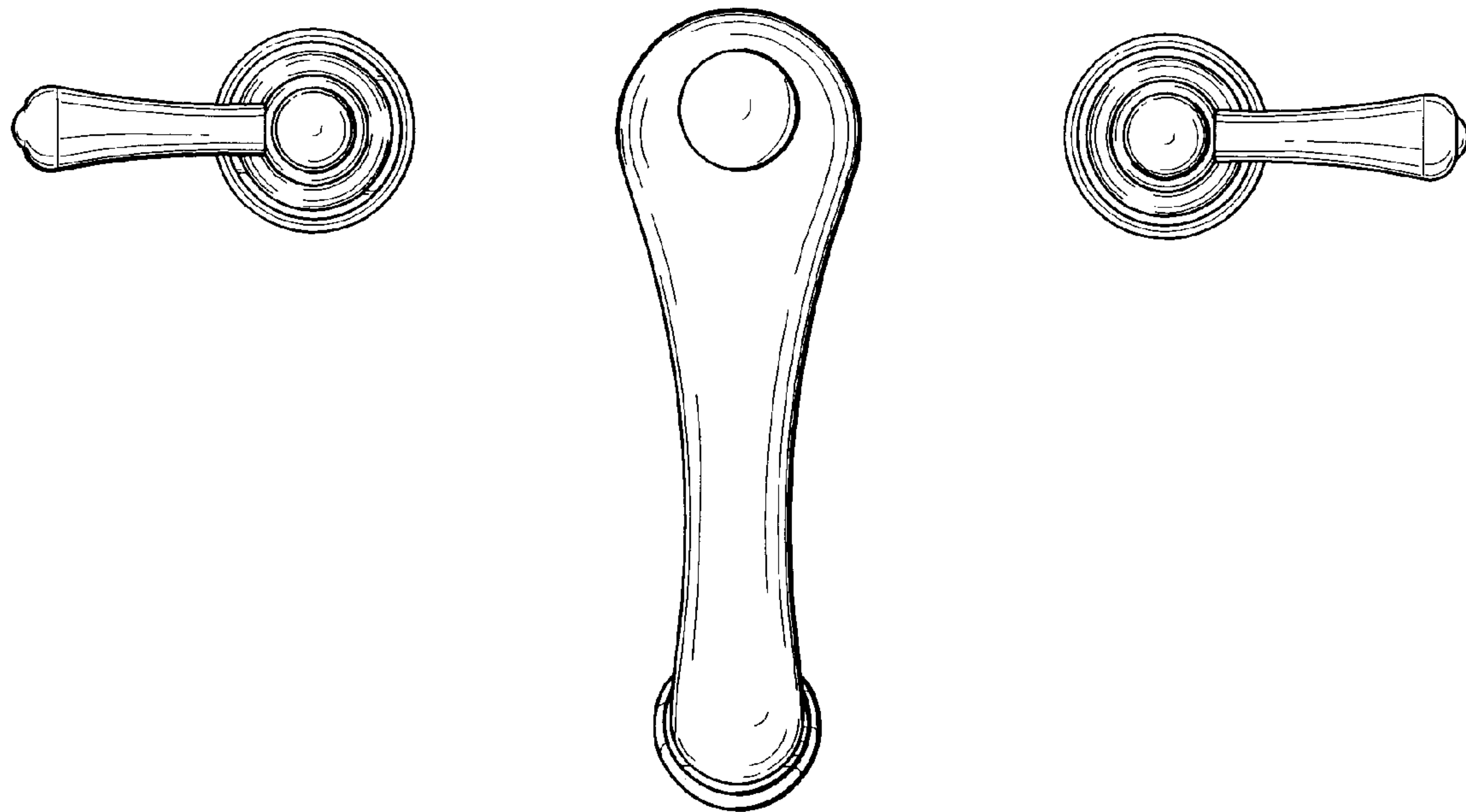


FIG. 6