



US00D518148S

(12) **United States Design Patent**
Rodriguez et al.

(10) **Patent No.:** **US D518,148 S**

(45) **Date of Patent:** **** Mar. 28, 2006**

(54) **VALVE**

D470,222 S * 2/2003 Nortier D23/233

(75) Inventors: **Juan Antonio Rodriguez**, Chicago, IL (US); **Michael A. Rosen**, Evanston, IL (US)

* cited by examiner

Primary Examiner—Caron D. Veynar

Assistant Examiner—Maurice Stevens

(73) Assignee: **Geberit Technik AG**, Jona (CH)

(74) *Attorney, Agent, or Firm*—Reinhart Boerner Van Deuren s.c.

(**) Term: **14 Years**

(57) **CLAIM**

(21) Appl. No.: **29/209,455**

The ornamental design for a valve, as shown and described.

(22) Filed: **Jul. 16, 2004**

DESCRIPTION

(51) **LOC (8) Cl.** **23-01**

(52) **U.S. Cl.** **D23/233**

(58) **Field of Classification Search** D23/233–237, D23/244–249, 250, 254; 251/38, 40, 84, 251/120, 243, 236–238, 285, 218, 215–216, 251/144–145, 148, 61.4; 137/549, 556, 315.08, 137/390, 360, 413–414

See application file for complete search history.

FIG. 1 is an isometric view of the valve of the present invention shown from the upper right;

FIG. 2 is a top plan view of the valve illustrated in FIG. 1;

FIG. 3 is a front elevational view of the valve illustrated in FIGS. 1 and 2, the rear being a mirror image thereof;

FIG. 4 is a right side elevational view of the valve illustrated in FIGS. 1 through 3;

FIG. 5 is left side elevational view of the valve illustrated in FIGS. 1 through 4; and,

FIG. 6 is a bottom plan view of the valve illustrated in FIGS. 1 through 5.

The broken lines shown are for illustrative purposes only and form no part of the claimed design.

(56) **References Cited**

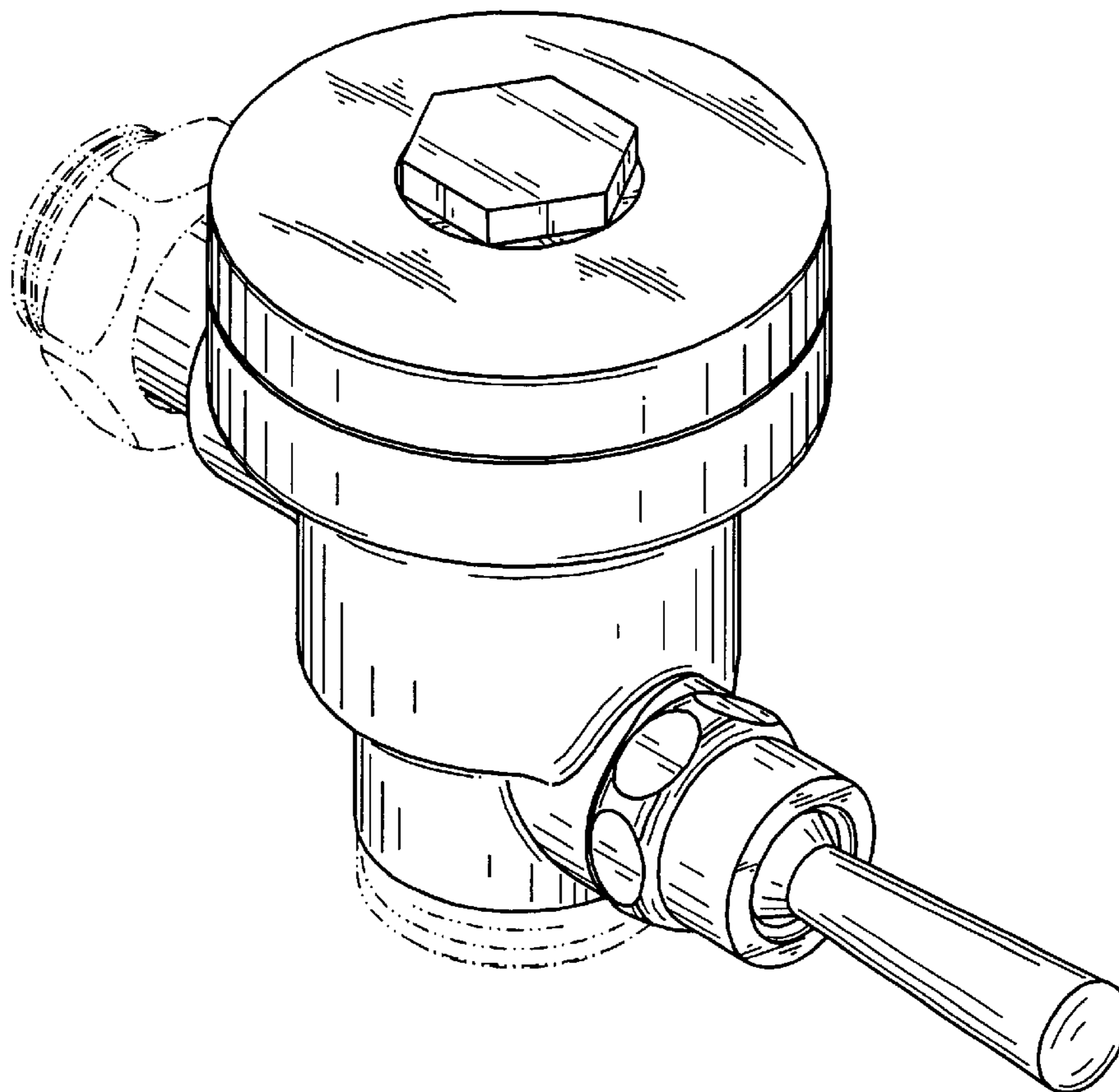
U.S. PATENT DOCUMENTS

D215,438 S * 10/1969 Holm D23/233

D359,110 S * 6/1995 Vestergaard D23/233

D366,929 S * 2/1996 Allen et al. D23/236

1 Claim, 3 Drawing Sheets



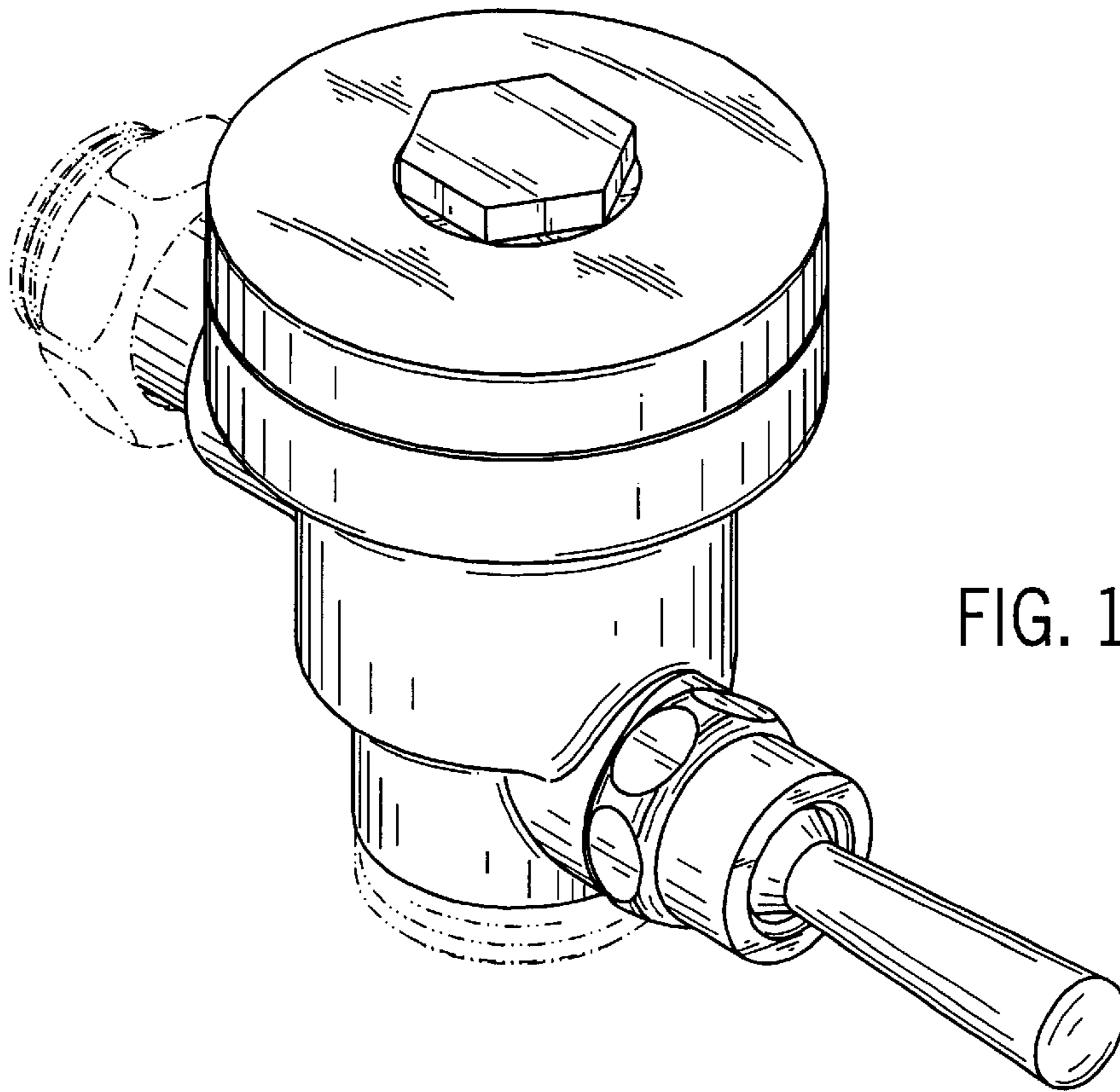


FIG. 1

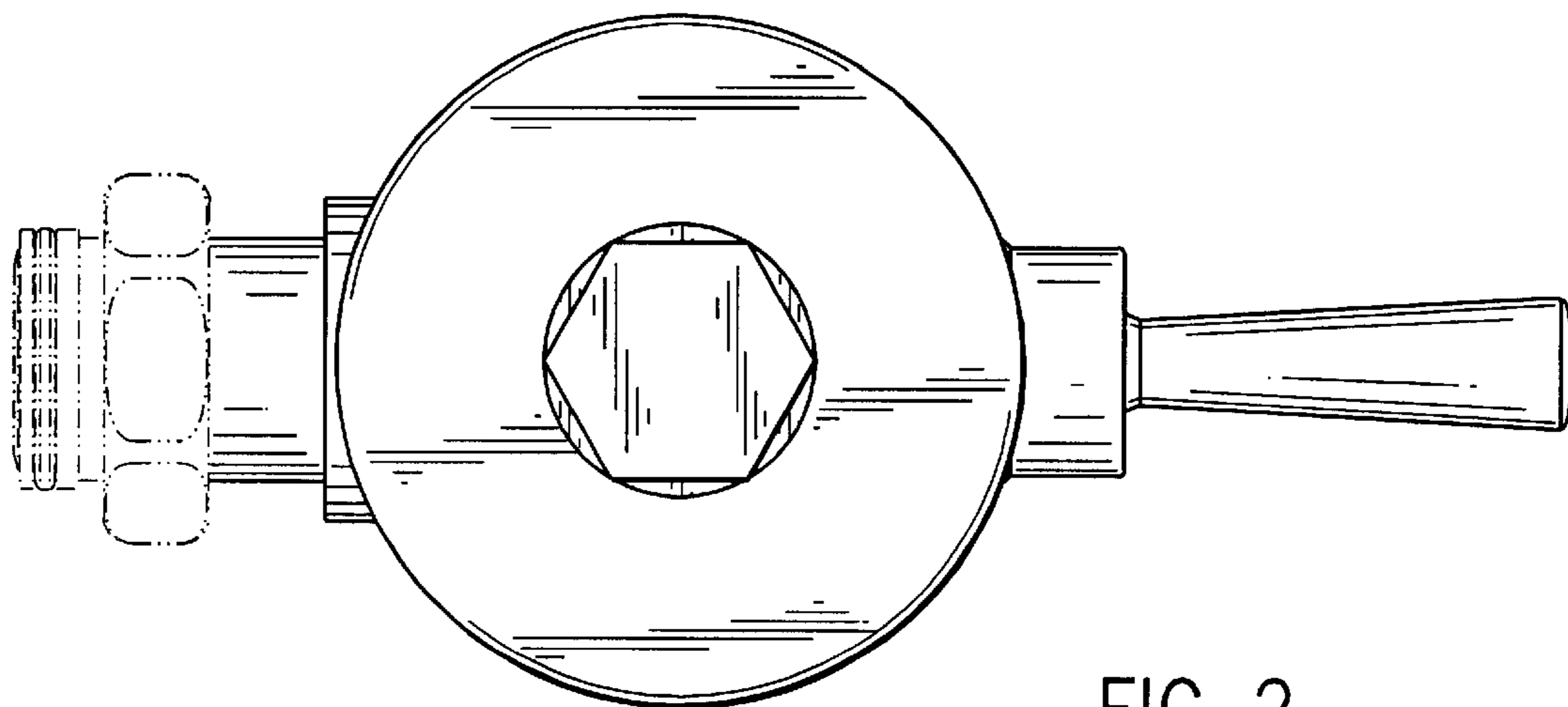


FIG. 2

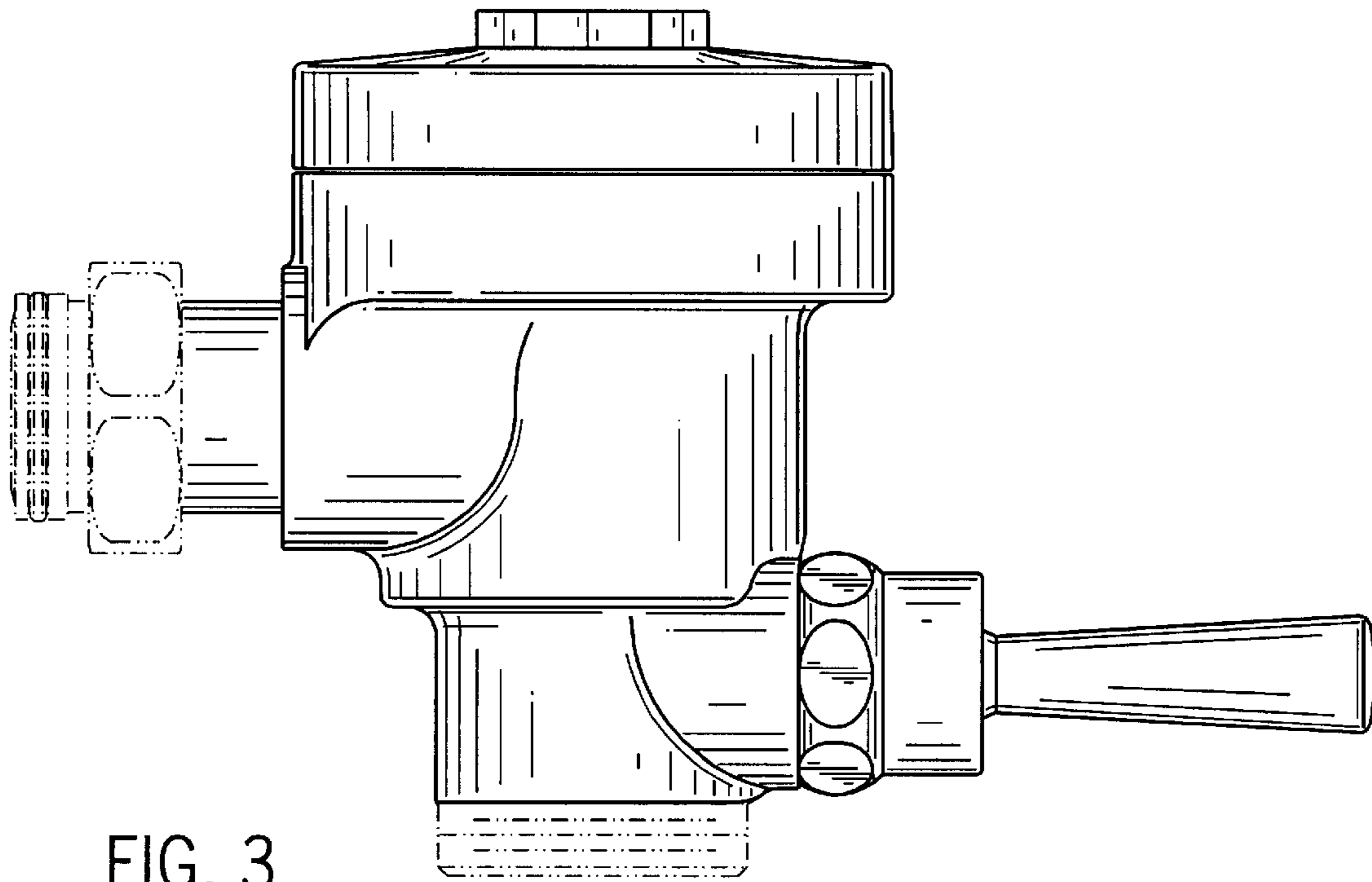


FIG. 3

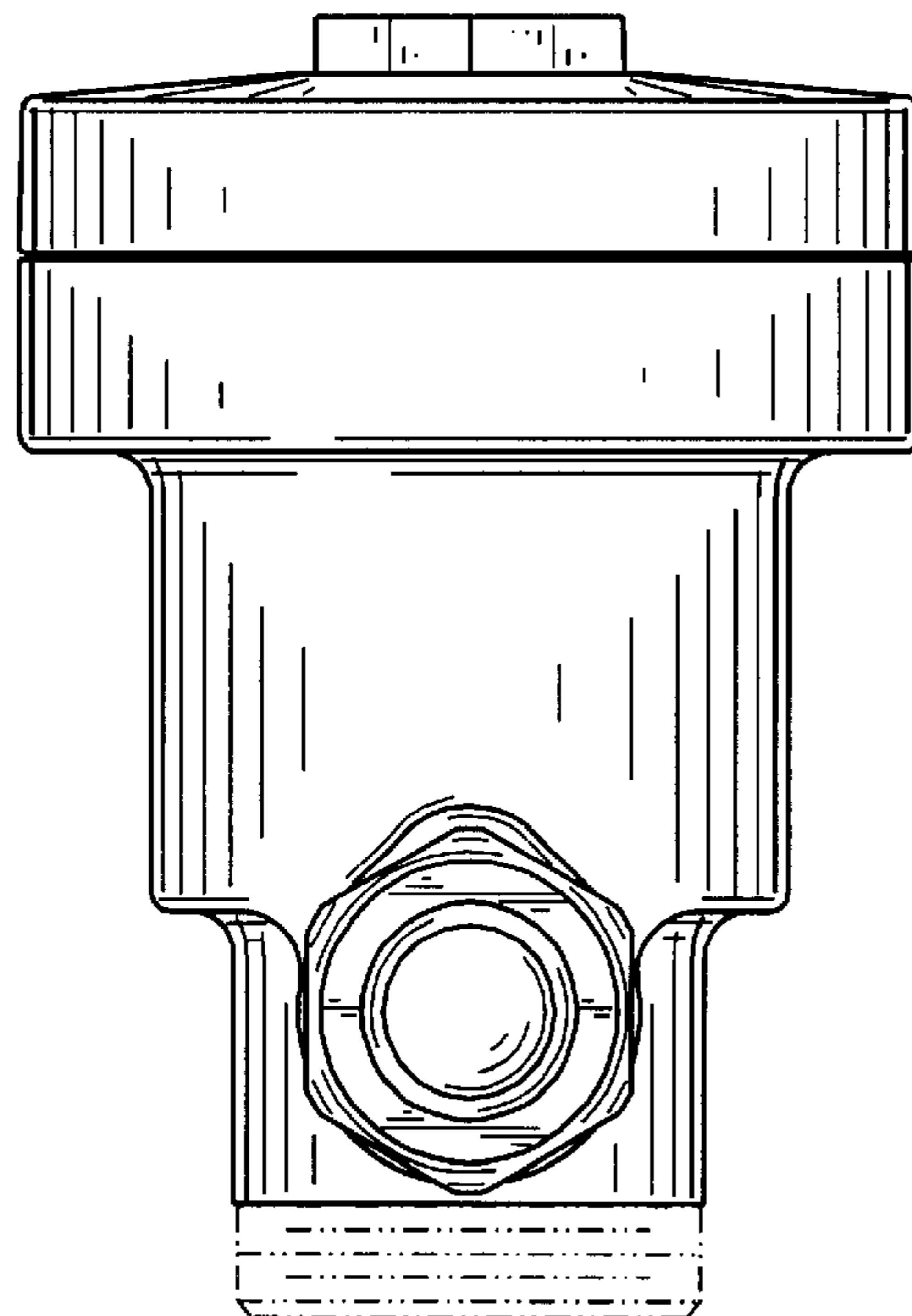


FIG. 4

FIG. 5

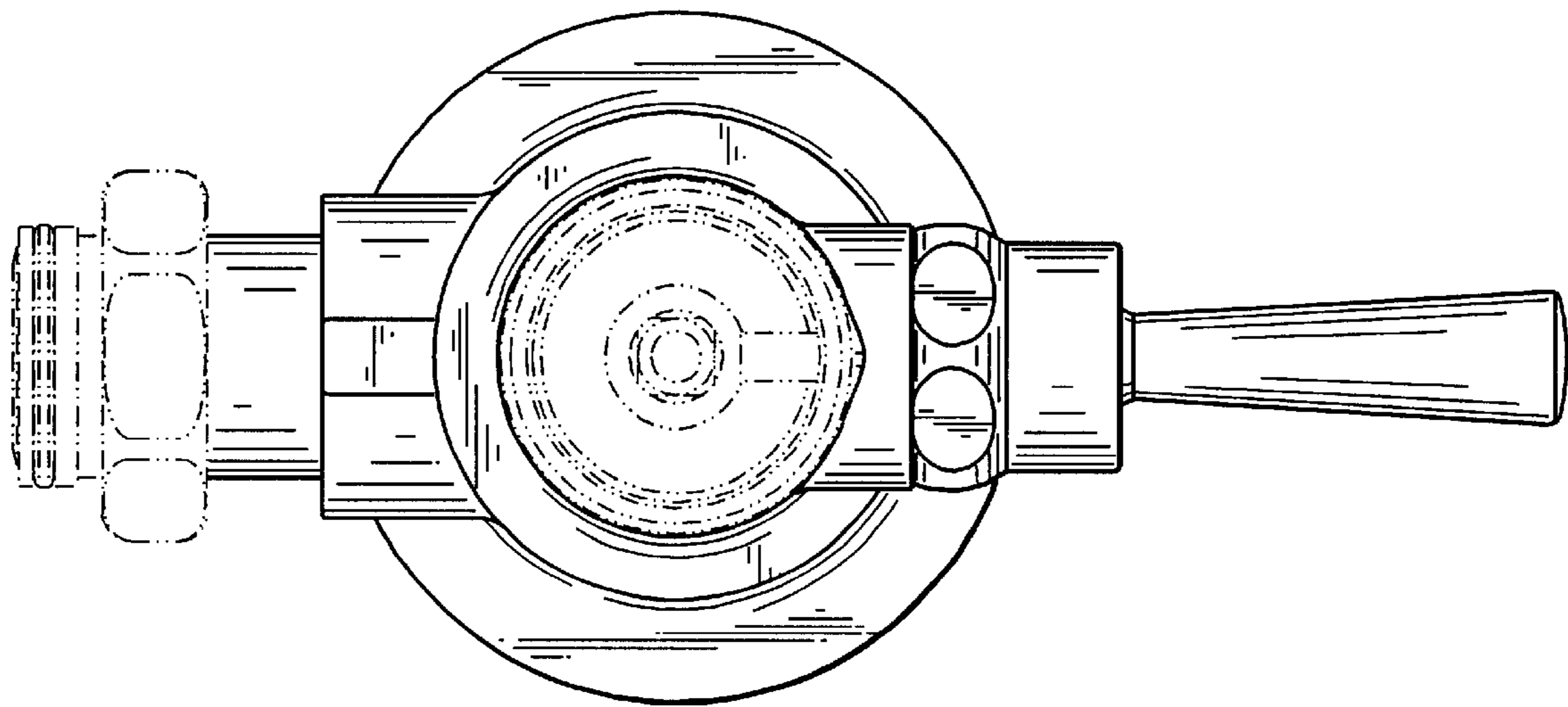
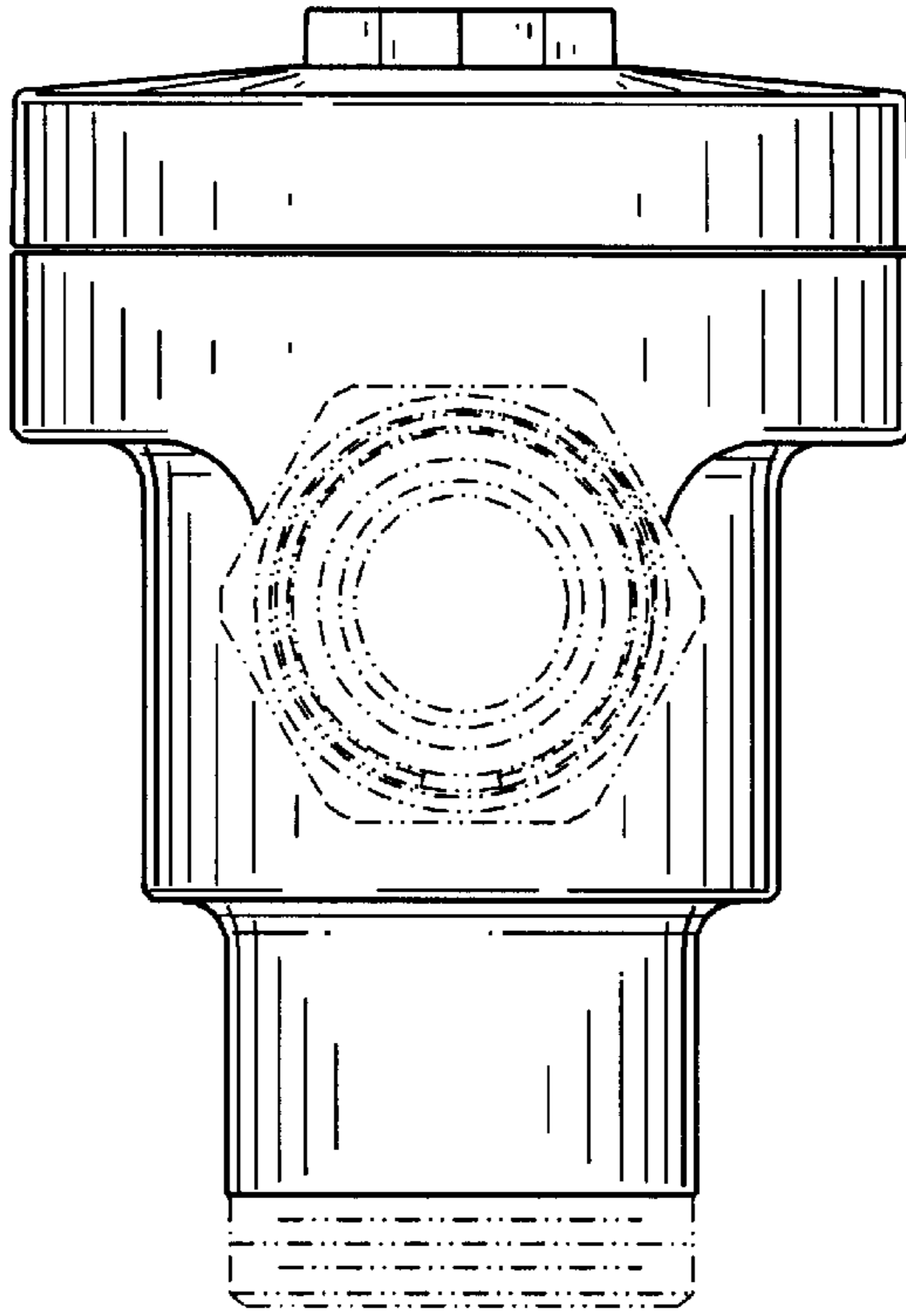


FIG. 6