



US00D518147S

(12) **United States Design Patent**  
**Fukushima**

(10) **Patent No.:** **US D518,147 S**  
(45) **Date of Patent:** **\*\* Mar. 28, 2006**

(54) **BLOCK BODY FOR INTEGRATED VALVE UNIT**

FOREIGN PATENT DOCUMENTS

DE 3940124 \* 6/1990

(75) Inventor: **Yoshitomo Fukushima**, Tokyo (JP)

\* cited by examiner

(73) Assignee: **Kitz SCT Corporation**, Tokyo (JP)

*Primary Examiner*—Caron D. Veynar

(\*\*) Term: **14 Years**

*Assistant Examiner*—Maurice Stevens

(21) Appl. No.: **29/206,522**

(74) *Attorney, Agent, or Firm*—Wenderoth, Lind & Ponack, L.L.P.

(22) Filed: **Jun. 2, 2004**

(57) **CLAIM**

(51) **LOC (8) Cl.** ..... **23-01**

The ornamental design for a block body for integrated valve unit, as shown and described.

(52) **U.S. Cl.** ..... **D23/233**

**DESCRIPTION**

(58) **Field of Classification Search** ..... D23/233–237, D23/244–249; 137/884, 271, 269, 625.64, 137/596.13, 596.16; 251/129.15; D15/1–5  
See application file for complete search history.

FIG. 1 is a perspective view of a block body for integrated valve unit when seen from the bottom and left of the front, showing my new design;  
FIG. 2 is a front elevational view thereof;  
FIG. 3 is a rear elevational view thereof;  
FIG. 4 is a top plan view thereof;  
FIG. 5 is a left side elevational view thereof;  
FIG. 6 is a right side elevational view thereof; and,  
FIG. 7 is a cross section taken across FIG. 2 along line 7—7.  
A bottom plan view is omitted as it appears symmetrical with the top plan view.

(56) **References Cited**

U.S. PATENT DOCUMENTS

D416,309 S \* 11/1999 Hayashi et al. .... D23/233  
D419,642 S \* 1/2000 Hiramatsu et al. .... D23/233  
D438,596 S \* 3/2001 Takada et al. .... D23/233  
D459,441 S \* 6/2002 Hayashi et al. .... D23/233

**1 Claim, 3 Drawing Sheets**

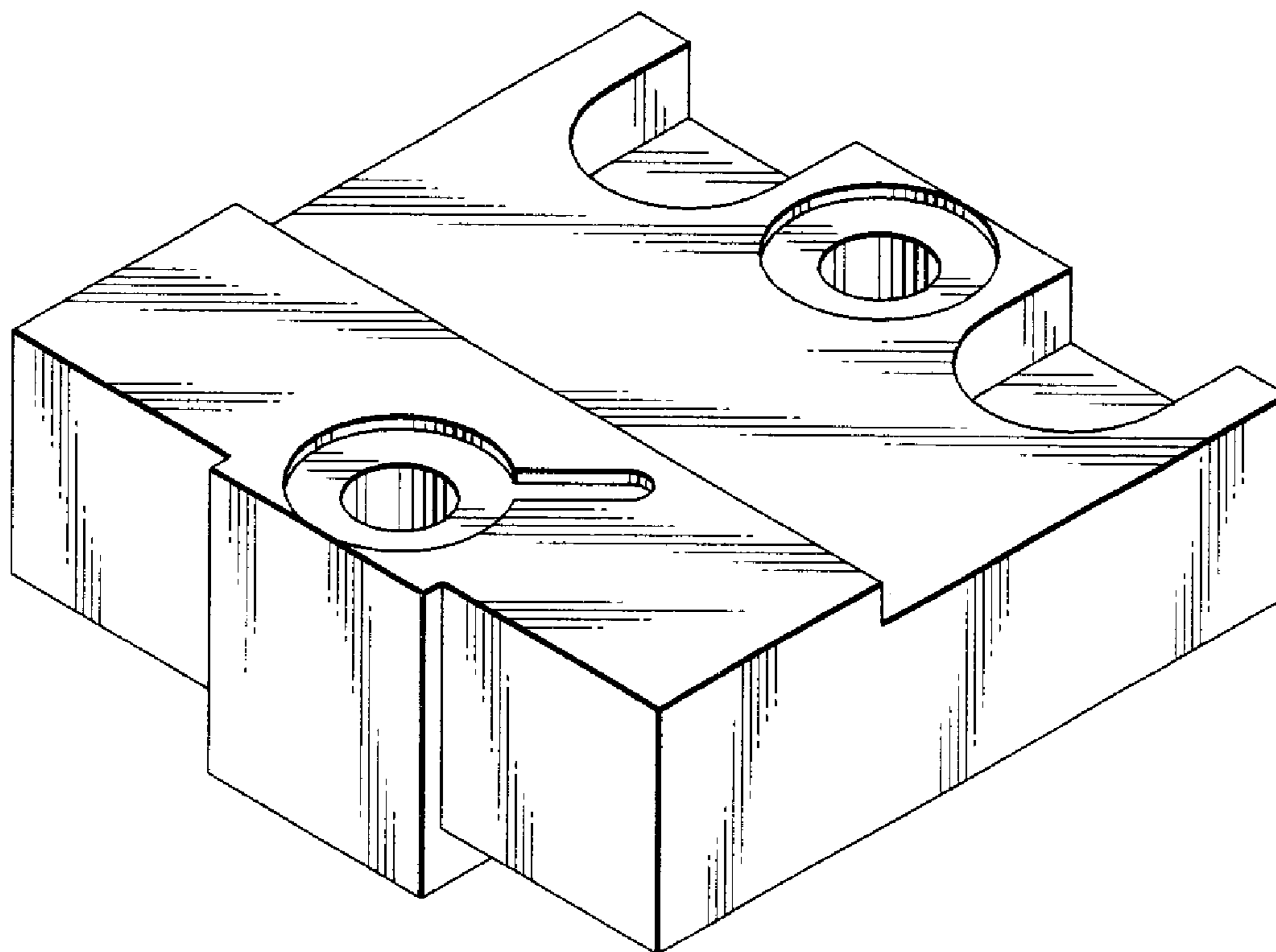


FIG. 1

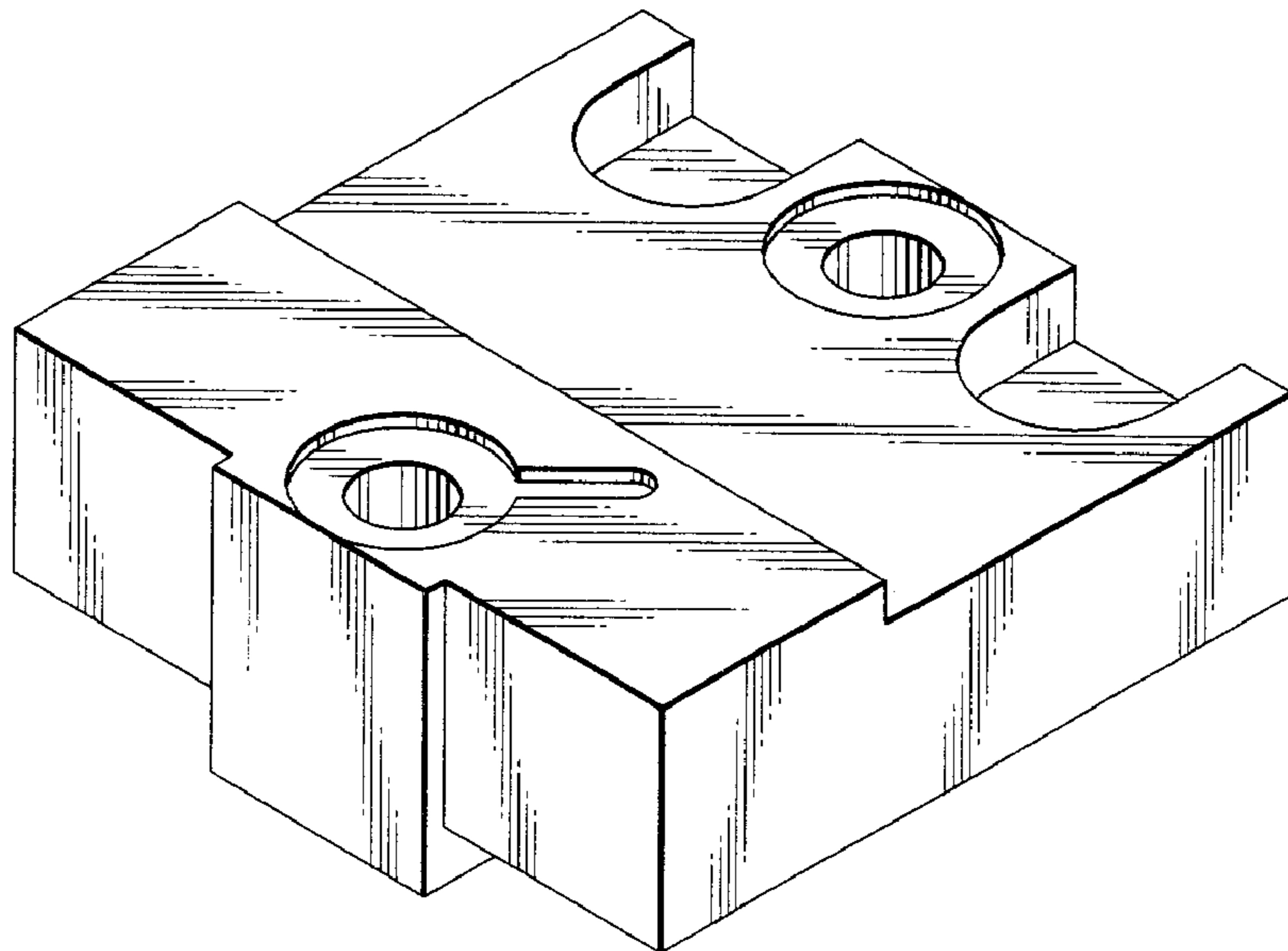


FIG. 2

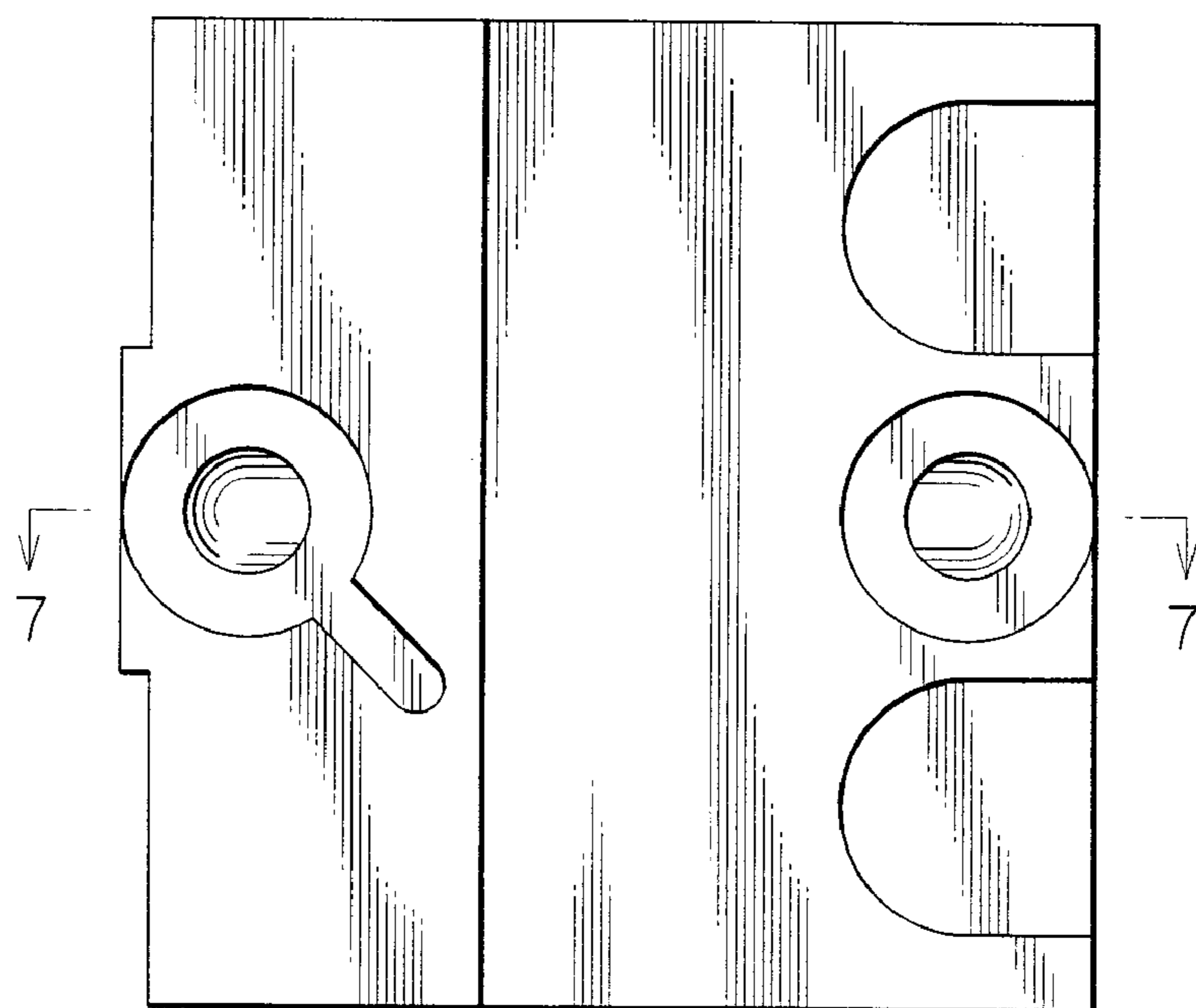


FIG. 3

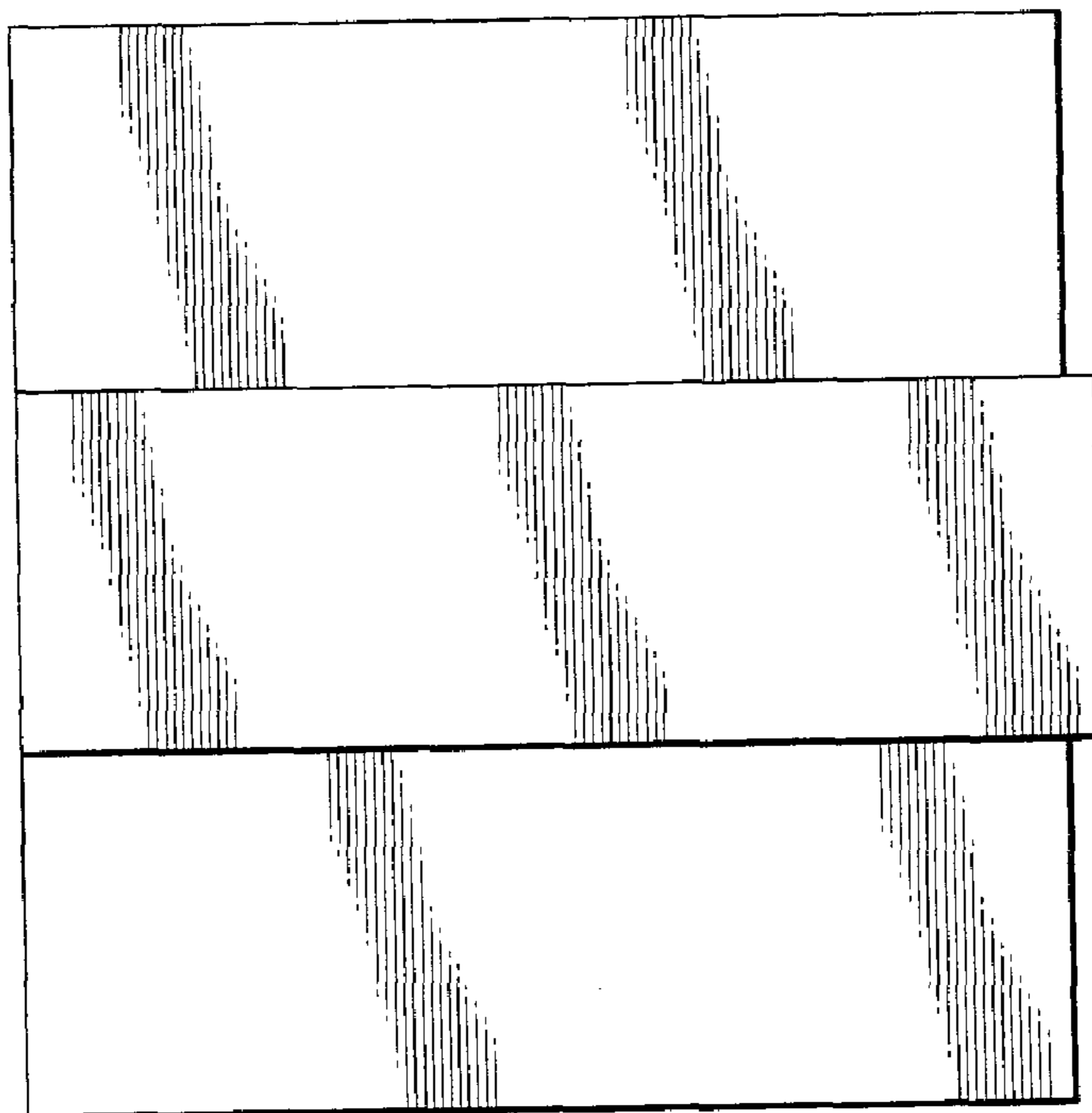


FIG. 4

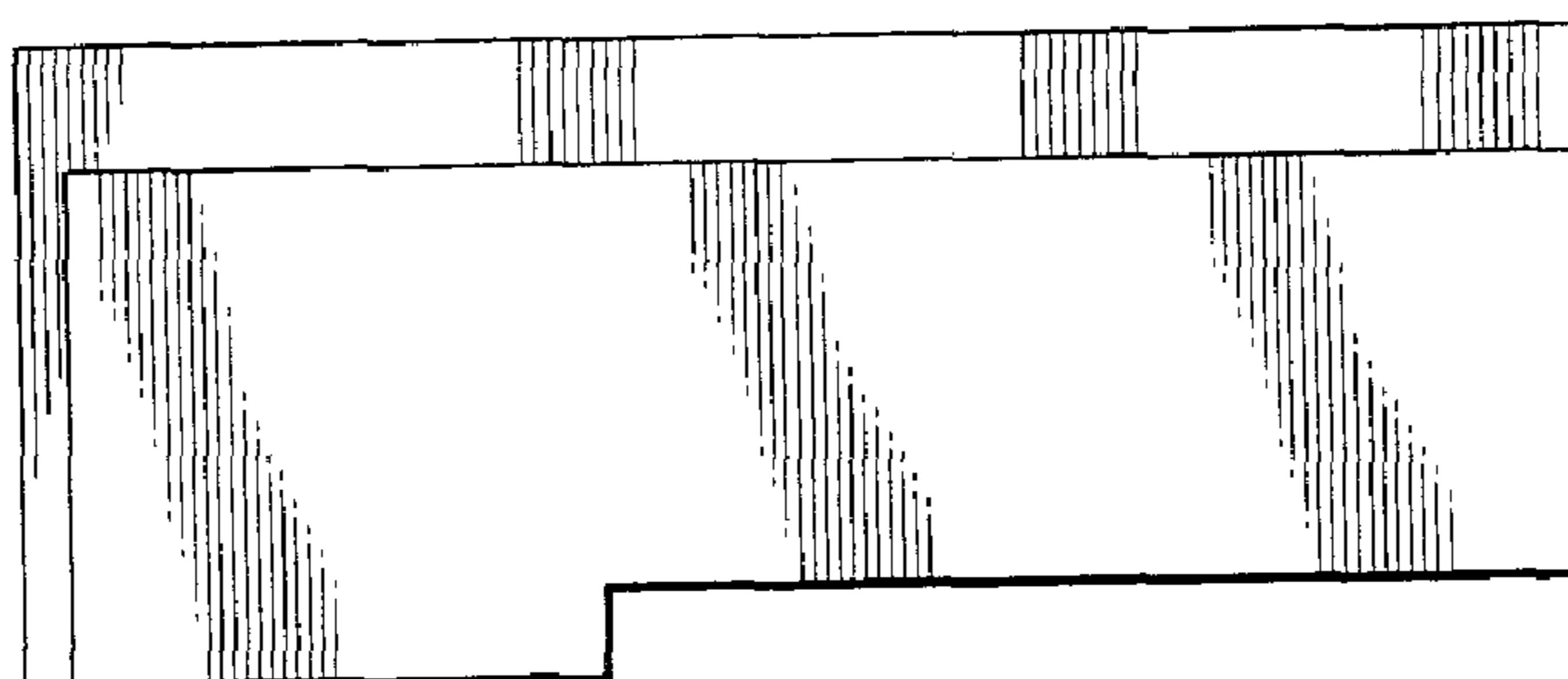


FIG. 5

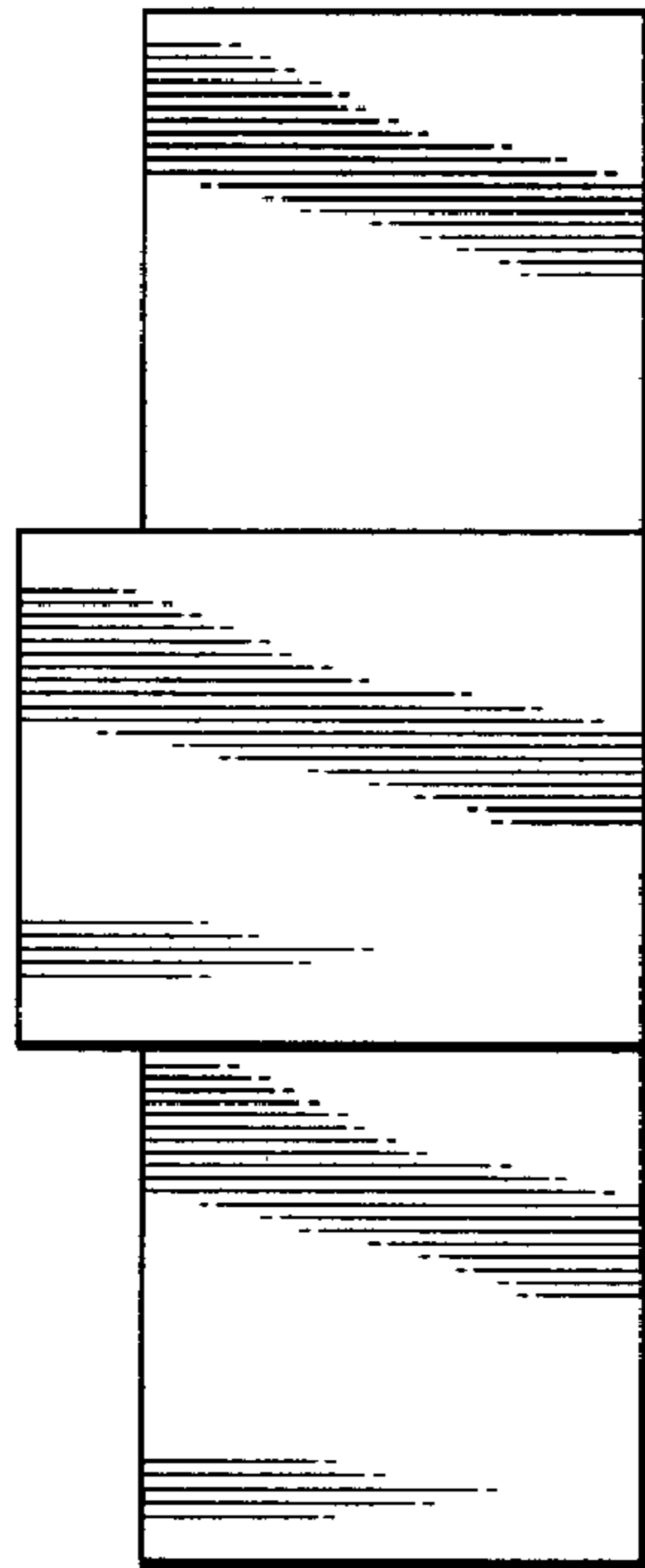


FIG. 6

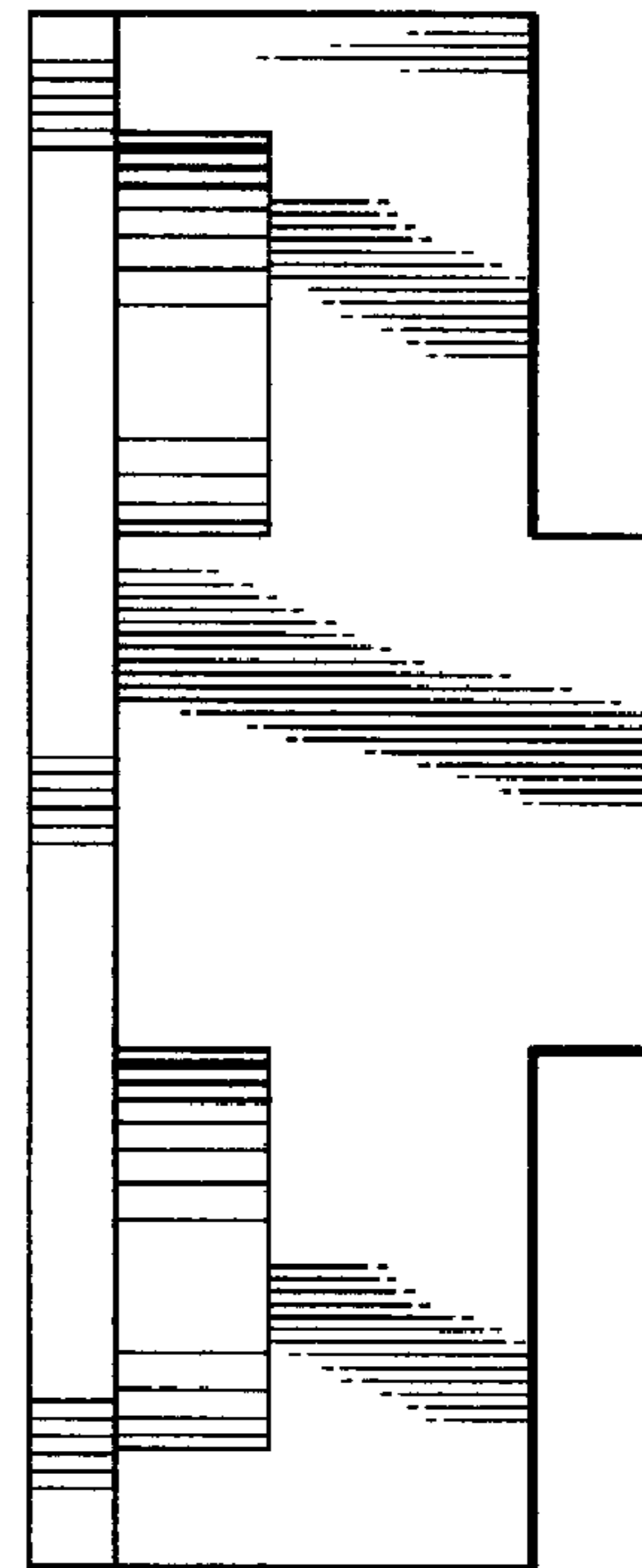


FIG. 7

