



US00D518146S

(12) **United States Design Patent**
Schreiner et al.

(10) **Patent No.:** **US D518,146 S**
(45) **Date of Patent:** **** Mar. 28, 2006**

(54) **INFLATION VALVE**

5,357,763 A * 10/1994 Vogel 62/77
D460,522 S * 7/2002 Flinchbaugh D23/233
6,715,355 B1 * 4/2004 Vile et al. 73/702

(76) Inventors: **Juergen Schreiner**, Julius von
Niethammerstr. 4a, D-83052, Heufeld
(DE); **Boris Simon**, Comeniusstr. 1,
D-81667, München (DE)

* cited by examiner

(**) Term: **14 Years**

Primary Examiner—Caron D. Veynar
Assistant Examiner—Maurice Stevens
(74) *Attorney, Agent, or Firm*—Carol A. Lewis White

(21) Appl. No.: **29/205,762**

(57) **CLAIM**

(22) Filed: **May 19, 2004**

The ornamental design for an inflation valve, as shown and described.

(51) **LOC (8) Cl.** **23-01**

(52) **U.S. Cl.** **D23/233**

(58) **Field of Classification Search** D23/233-237,
D23/244-249; 137/7, 217, 224, 224.5; 251/149,
251/149.2, 369, 61.1, 309-310; 73/702, 146.2,
73/146.3, 146.8

See application file for complete search history.

DESCRIPTION

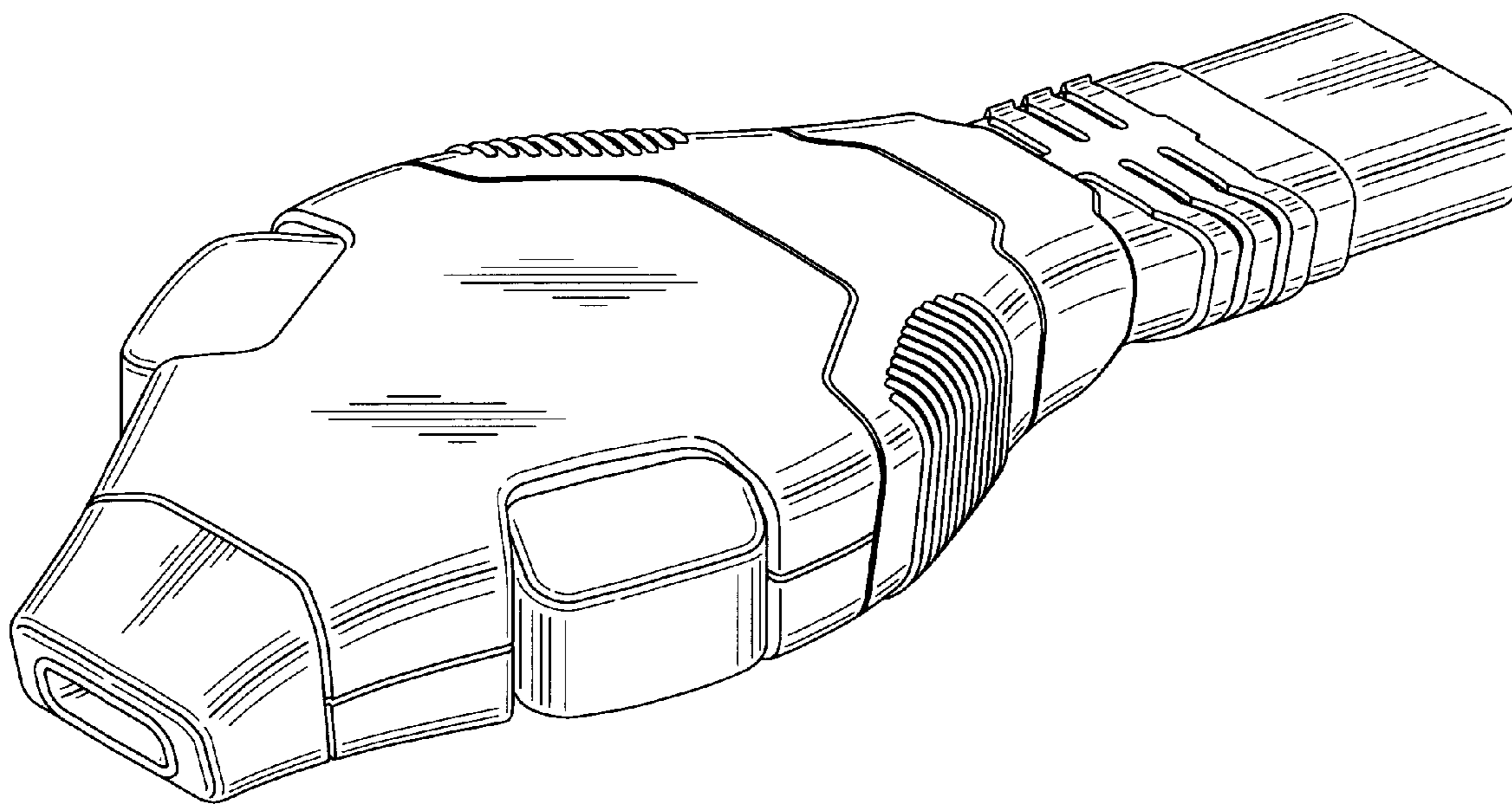
FIG. 1 is a perspective view of an inflation valve showing our design;
FIG. 2 is a bottom perspective view thereof;
FIG. 3 is a top view thereof;
FIG. 4 is a side view thereof;
FIG. 5 is a bottom view thereof;
FIG. 6 is an end view thereof; and,
FIG. 7 is the opposite end view thereof.

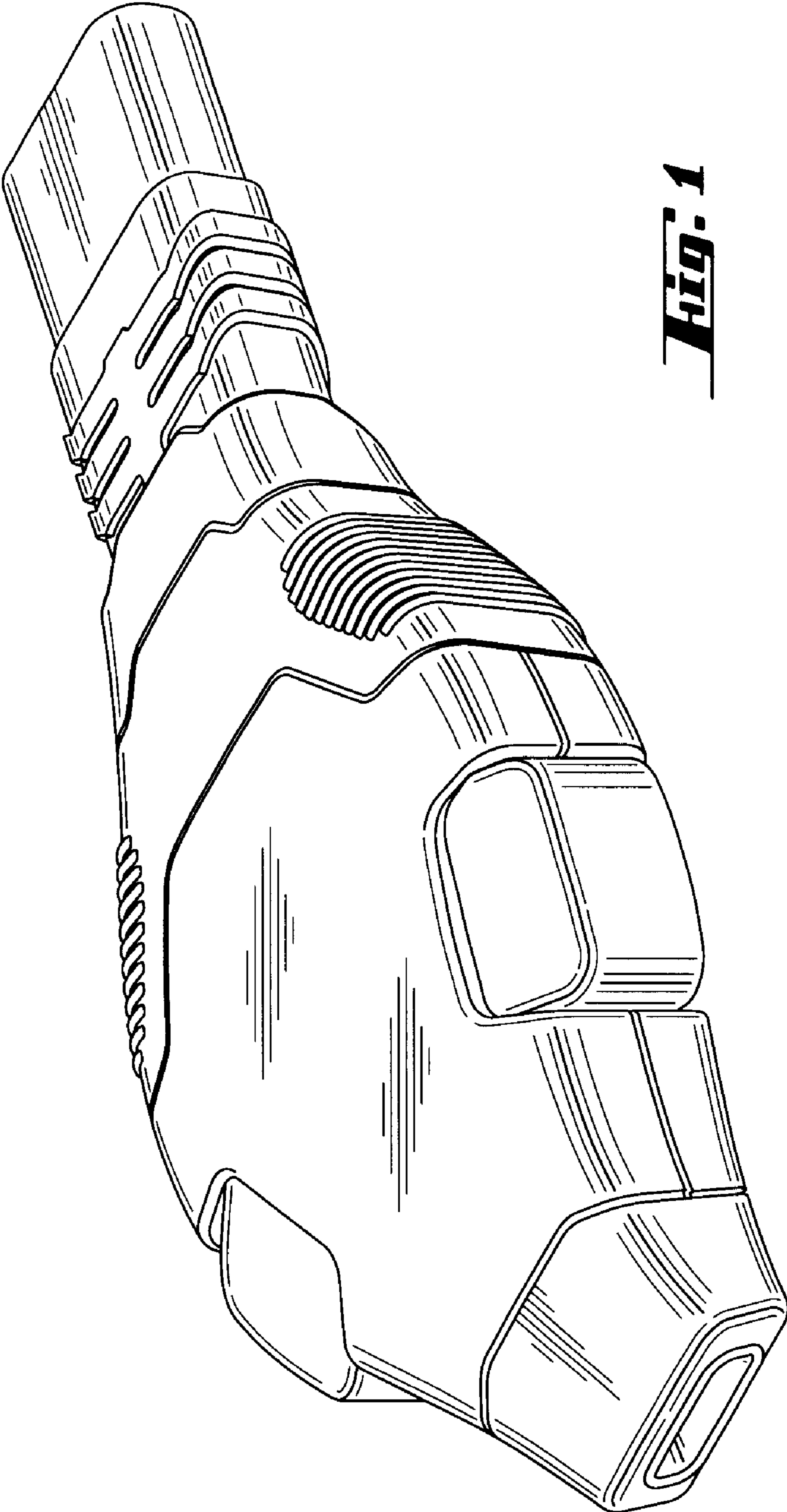
(56) **References Cited**

U.S. PATENT DOCUMENTS

D163,948 S * 7/1951 Hannant D23/233

1 Claim, 4 Drawing Sheets





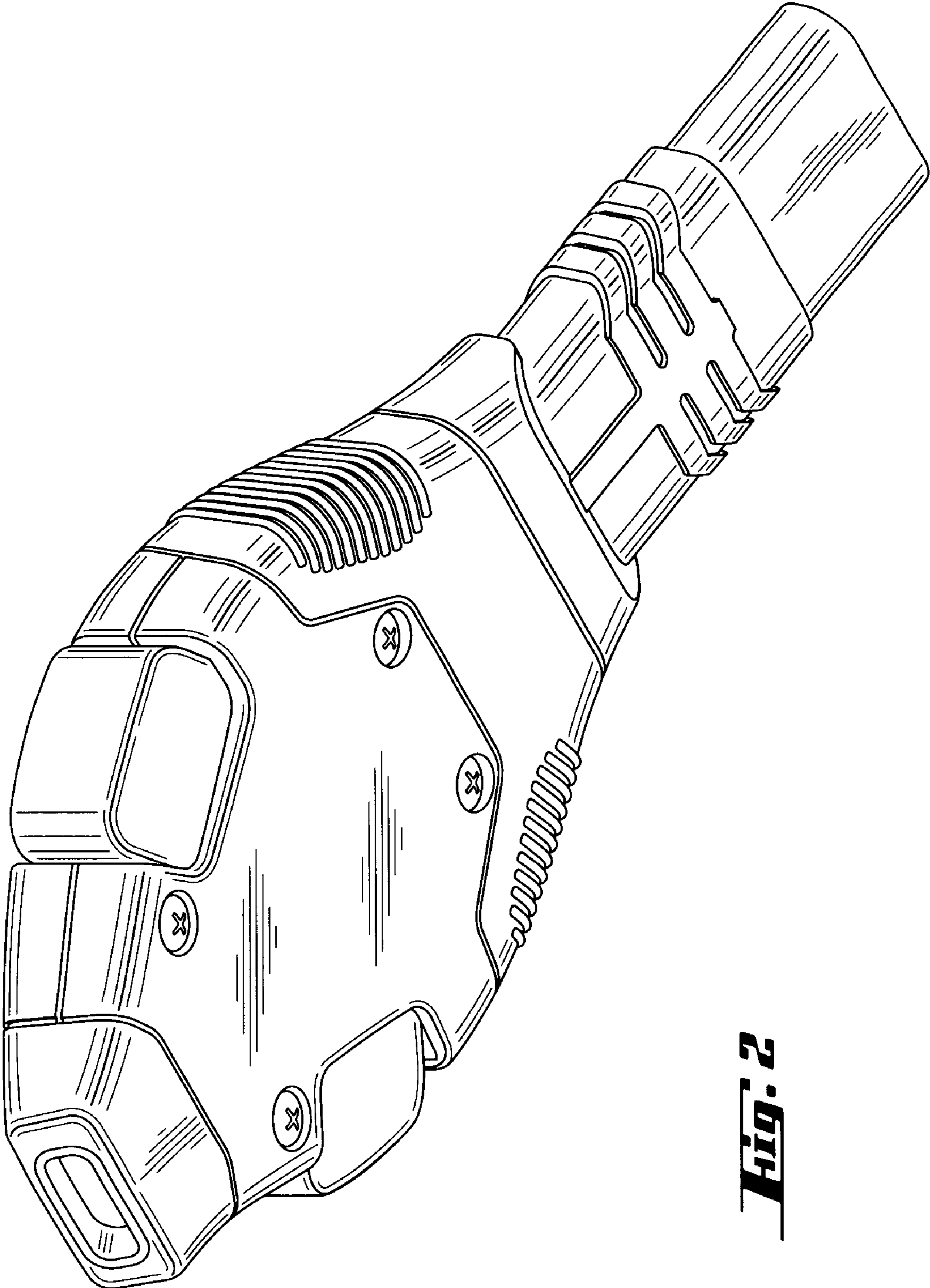


FIG. 2

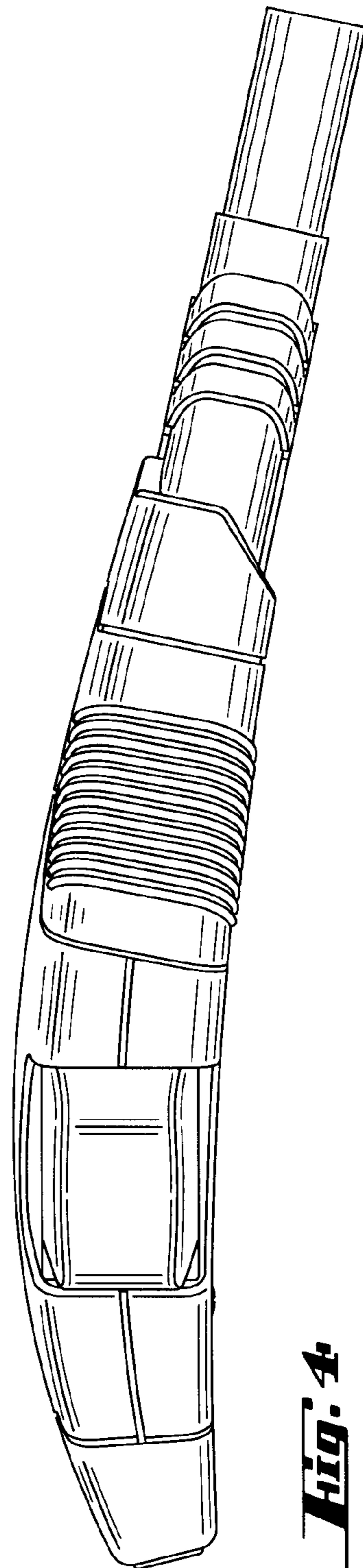
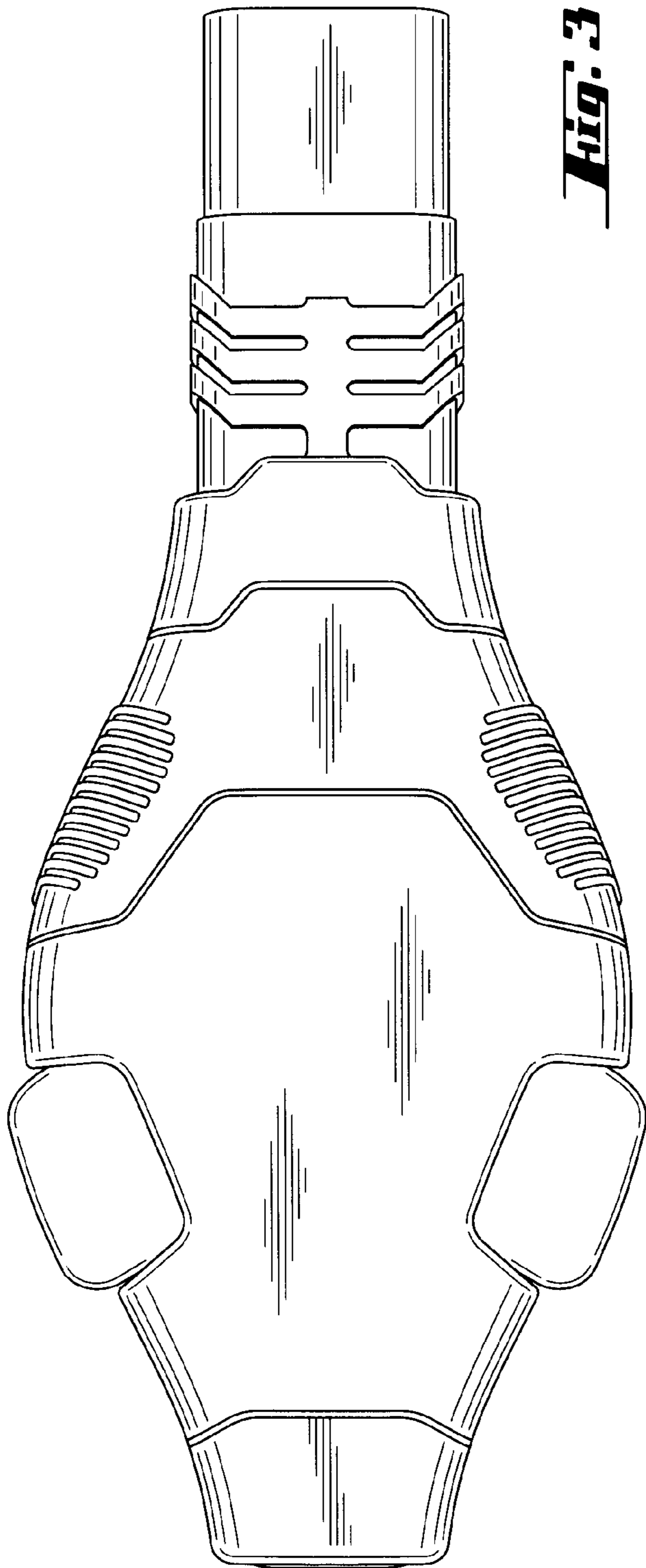


Fig. 5

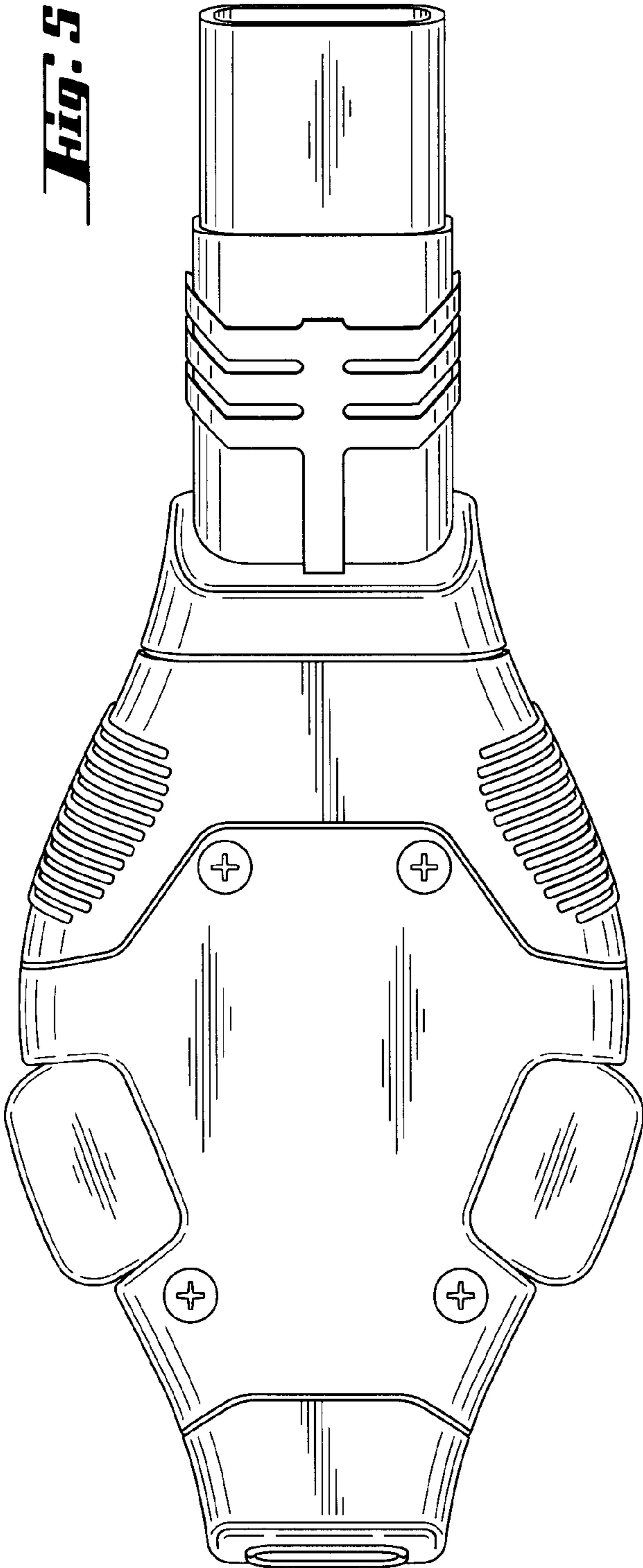


Fig. 7

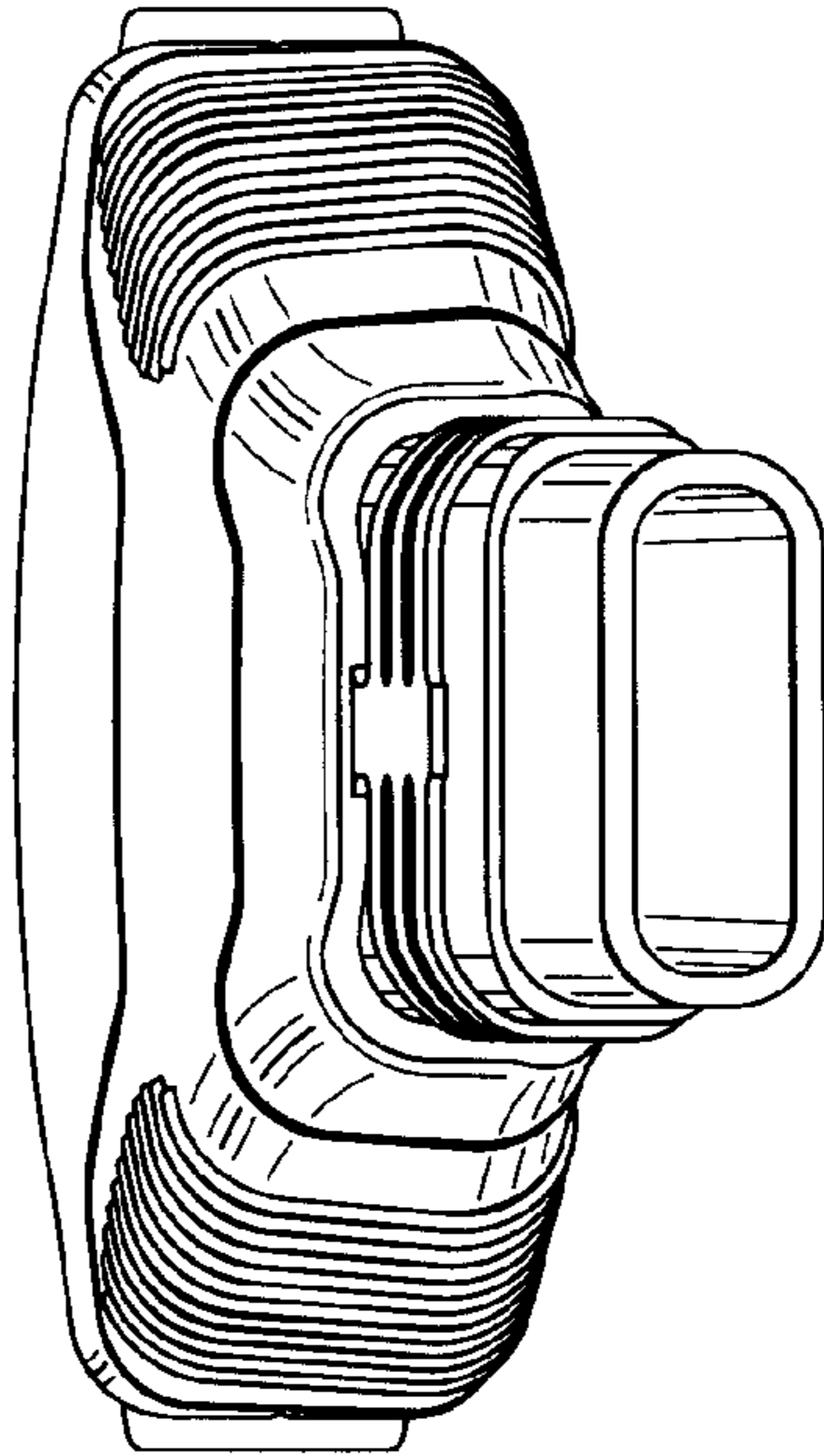


Fig. 6

