



US00D518145S

(12) **United States Design Patent**
Nikles

(10) **Patent No.:** **US D518,145 S**

(45) **Date of Patent:** **** Mar. 28, 2006**

(54) **SHOWER HEAD**

(75) Inventor: **Gerhard Nikles**, Carpenedolo (IT)

(73) Assignee: **Nikles Tec Italia S.R.L** (IT)

(**) Term: **14 Years**

(21) Appl. No.: **29/196,029**

(22) Filed: **Dec. 18, 2003**

(30) **Foreign Application Priority Data**

Jul. 2, 2003 (IT) BS20030000025
Dec. 12, 2003 (IT) BS20030000042

(51) **LOC (8) Cl.** **23-01**

(52) **U.S. Cl.** **D23/223**

(58) **Field of Classification Search** D23/213,
D23/223, 229; 239/394, 525, 282, 283
See application file for complete search history.

(56) **References Cited**

U.S. PATENT DOCUMENTS

3,319,893 A * 5/1967 Caves et al. 239/393
D261,300 S * 10/1981 Klose D23/223

D457,598 S * 5/2002 Storti et al. D23/223
D467,636 S * 12/2002 Boesch D23/223
D477,652 S * 7/2003 Itoh D23/223

* cited by examiner

Primary Examiner—Robin V. Taylor

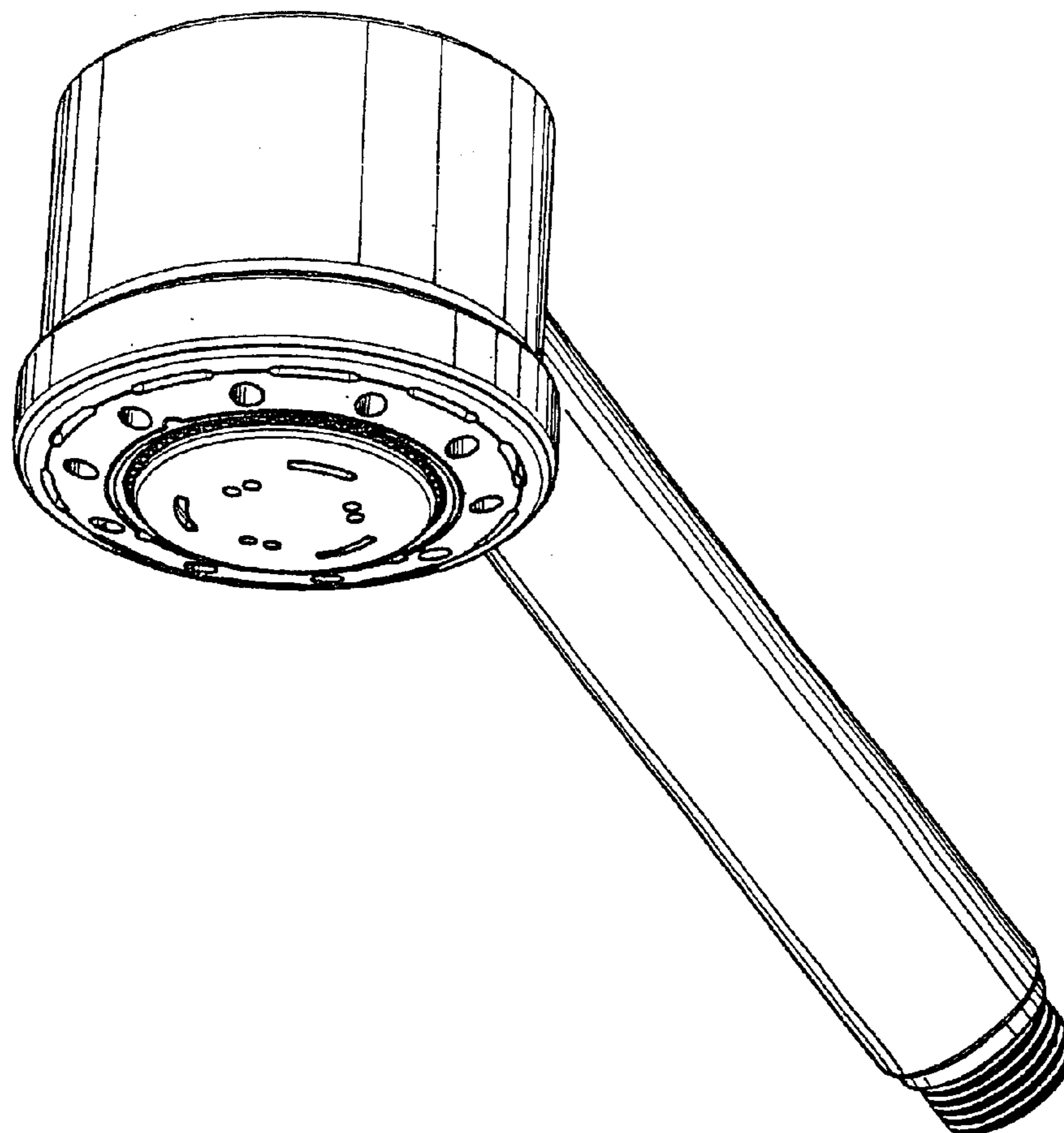
(57) **CLAIM**

I claim the ornamental design for a shower head, as shown.

DESCRIPTION

FIG. 1 is a front perspective view of a shower head showing my new design;
FIG. 2 is a left side view of the shower head as shown in FIG. 1;
FIG. 3 is a right side view of the shower head as shown in FIG. 1;
FIG. 4 is a top view of the shower head as shown in FIG. 1;
FIG. 5 is a bottom view of the shower head as shown in FIG. 1;
FIG. 6 is a front view of the shower head as shown in FIG. 1; and,
FIG. 7 is a rear view of the shower head as shown in FIG. 1.

1 Claim, 3 Drawing Sheets



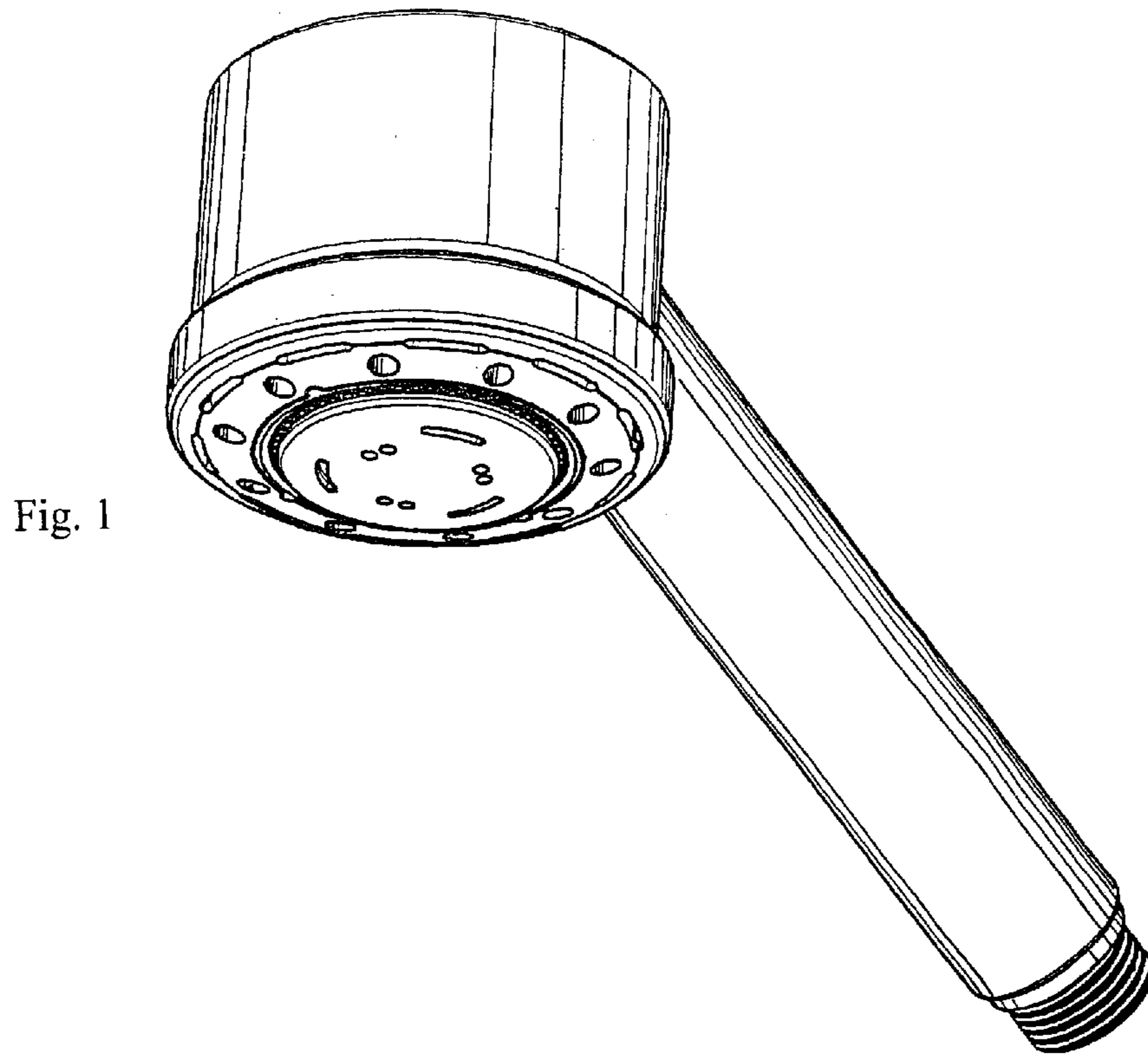


Fig. 1

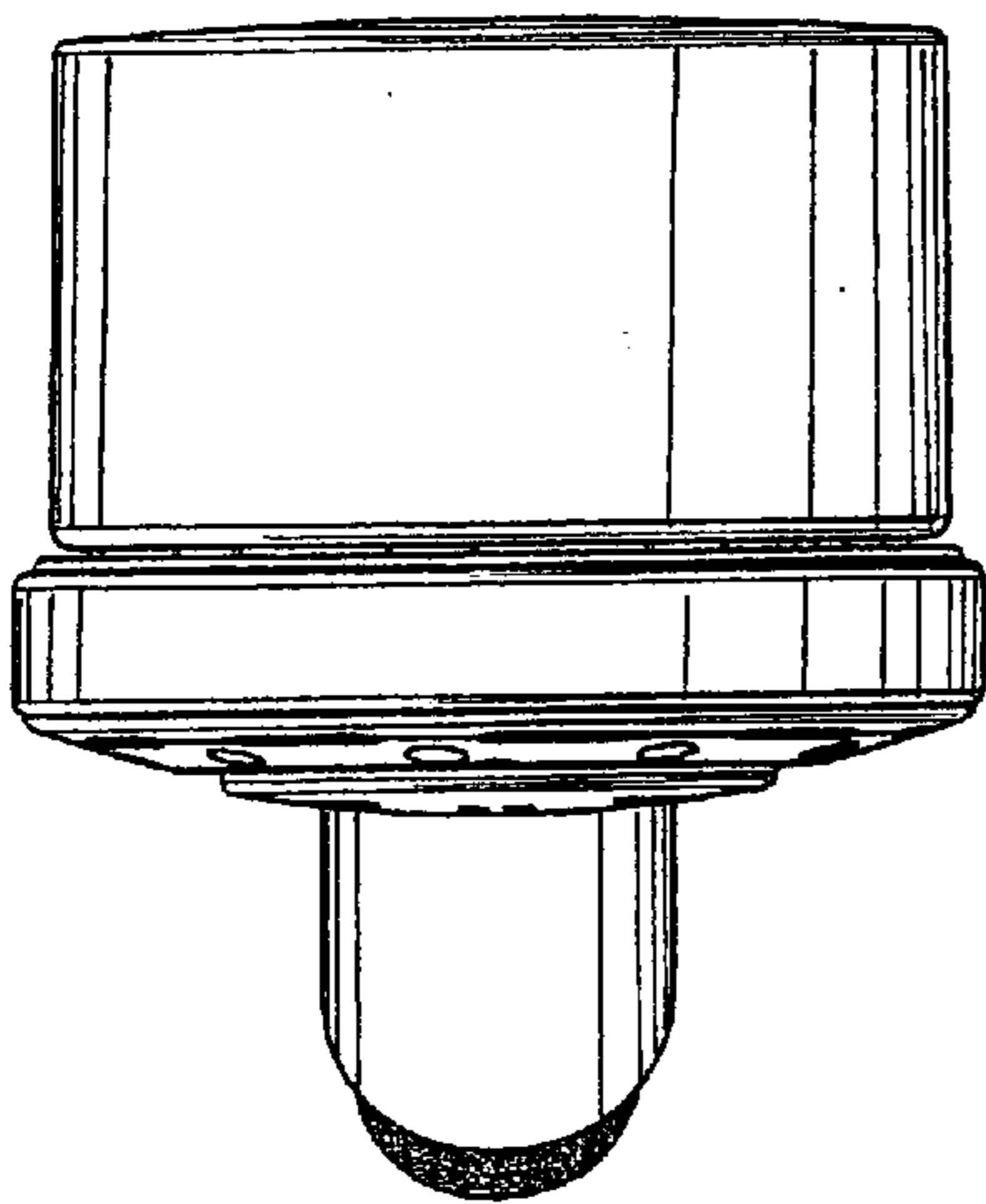
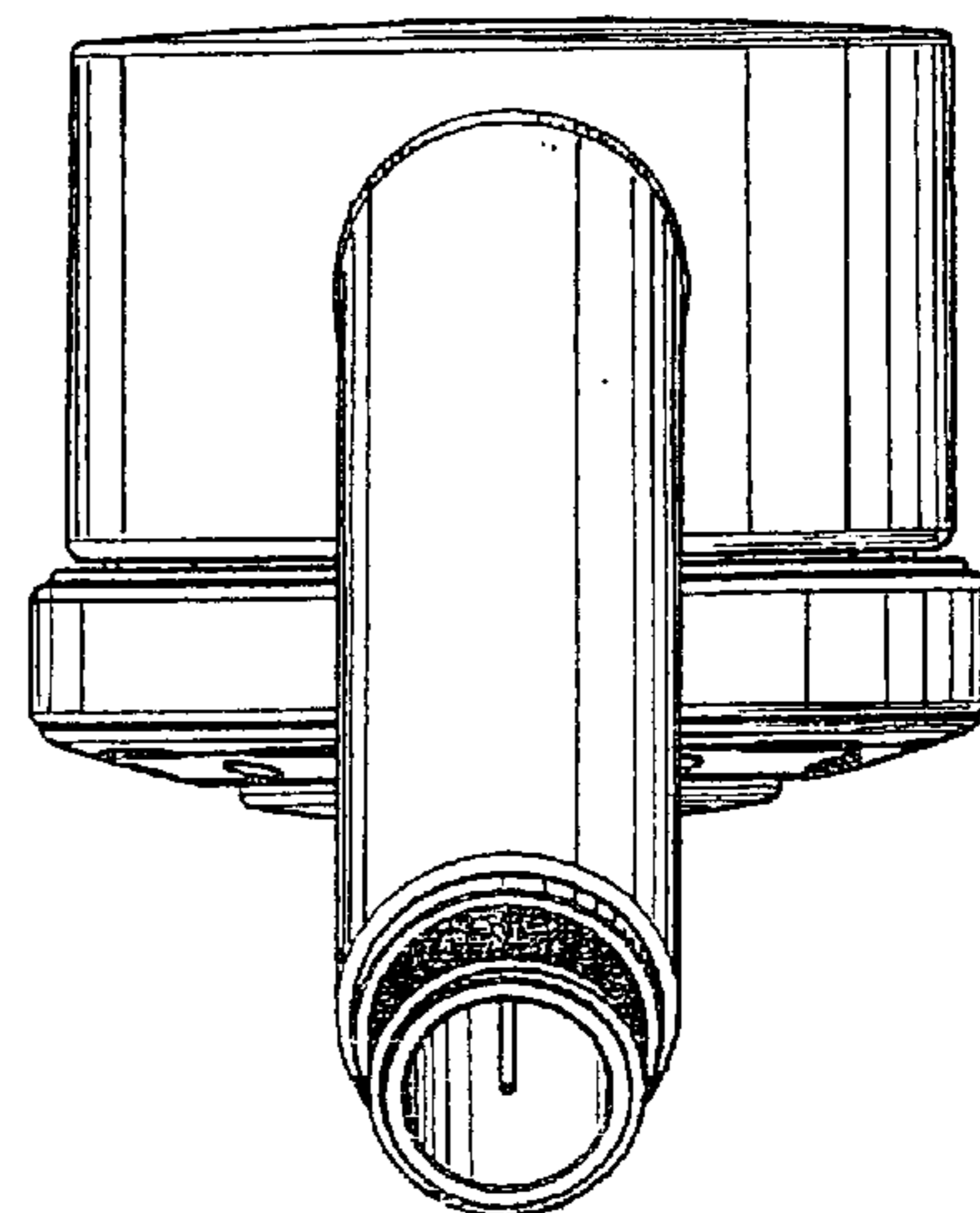


Fig. 6

Fig. 7



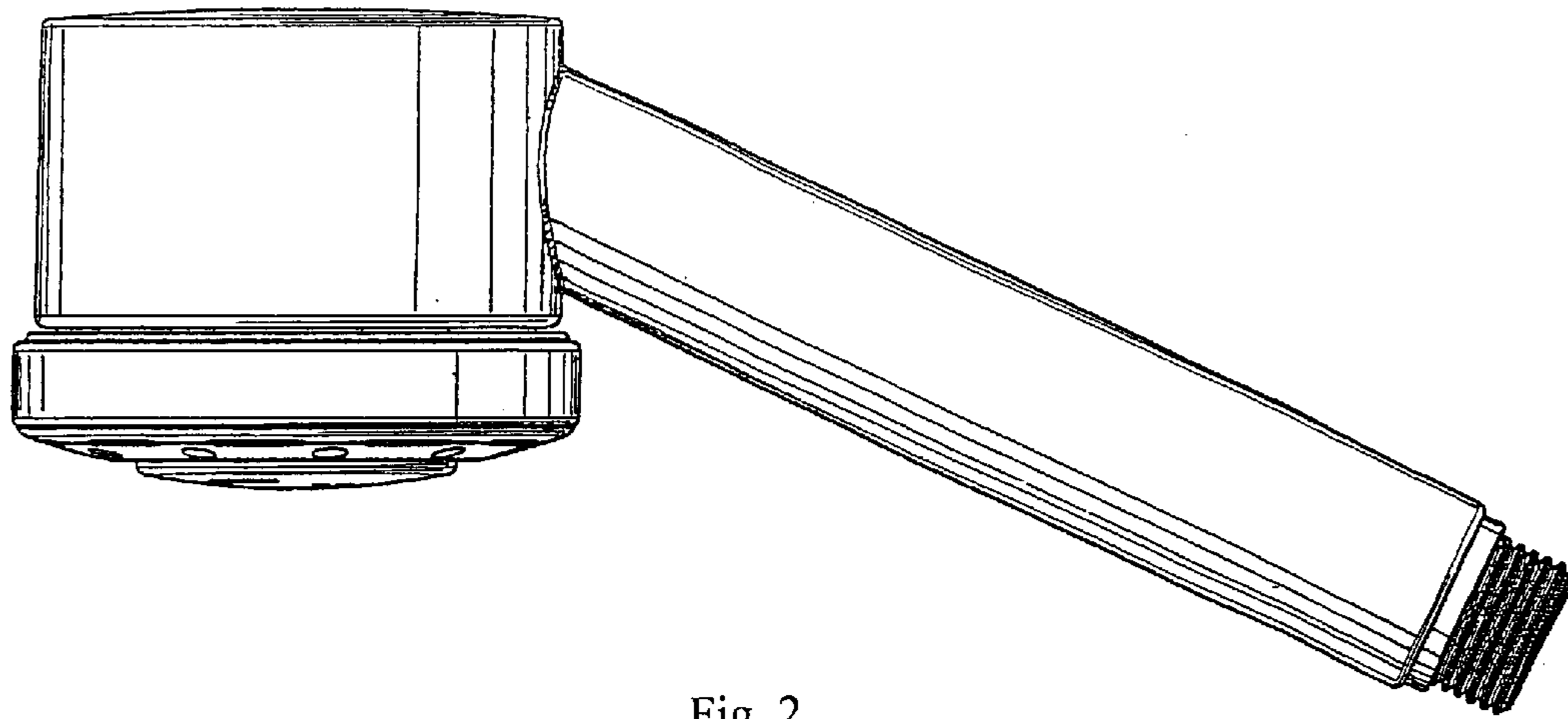


Fig. 2

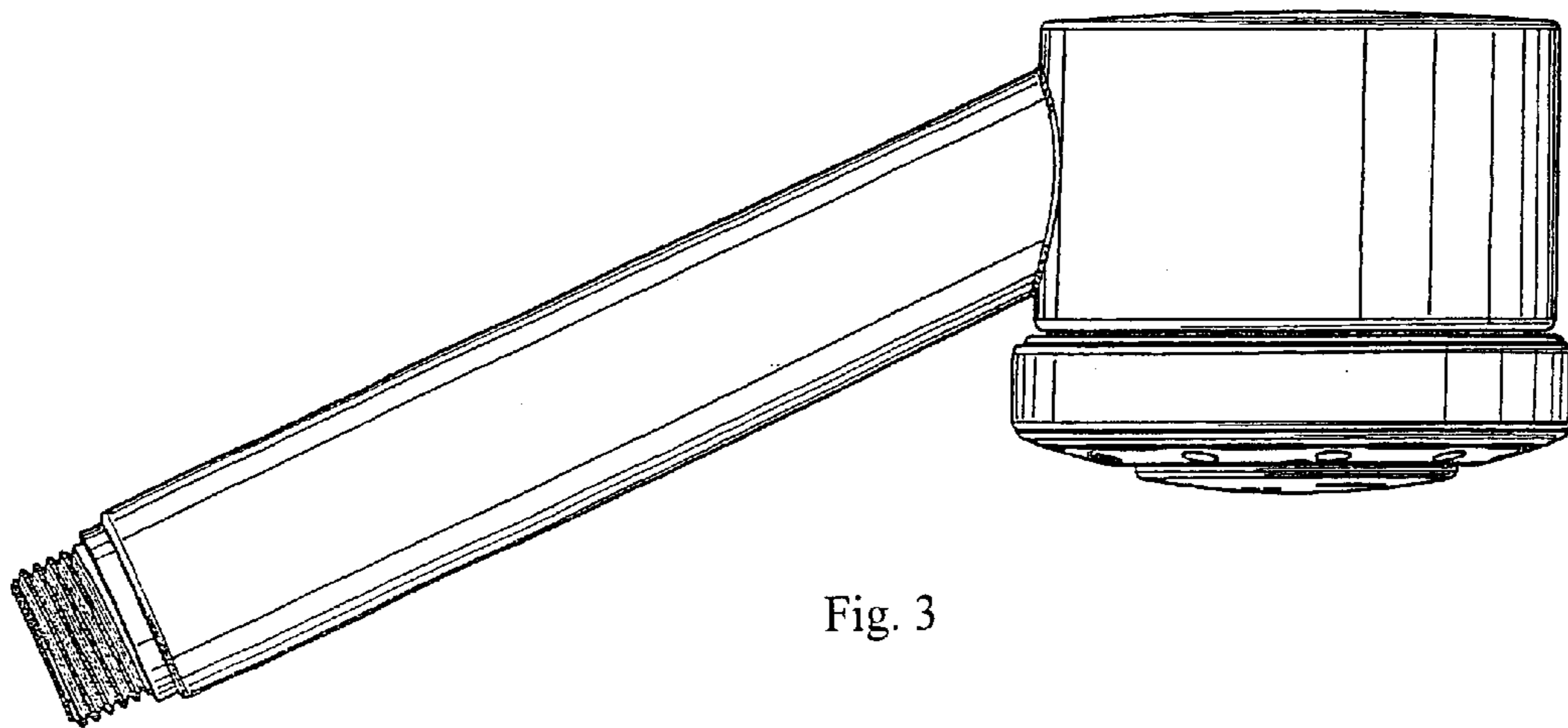


Fig. 3

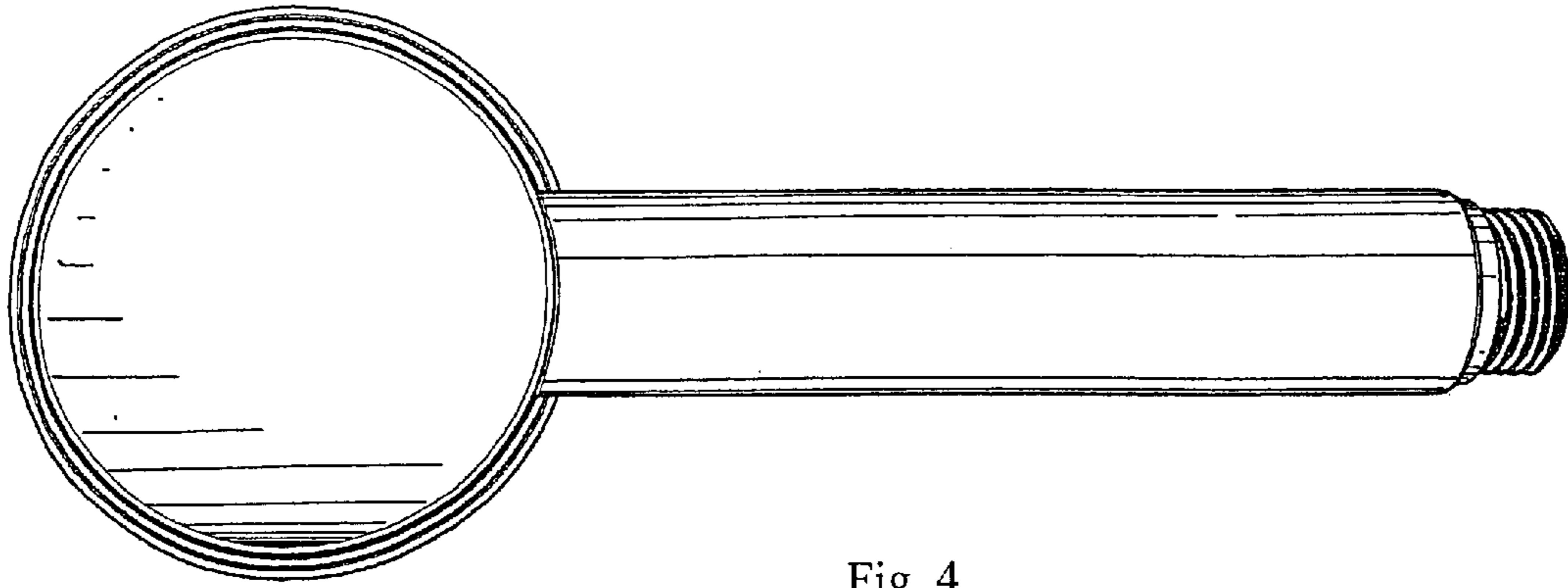


Fig. 4

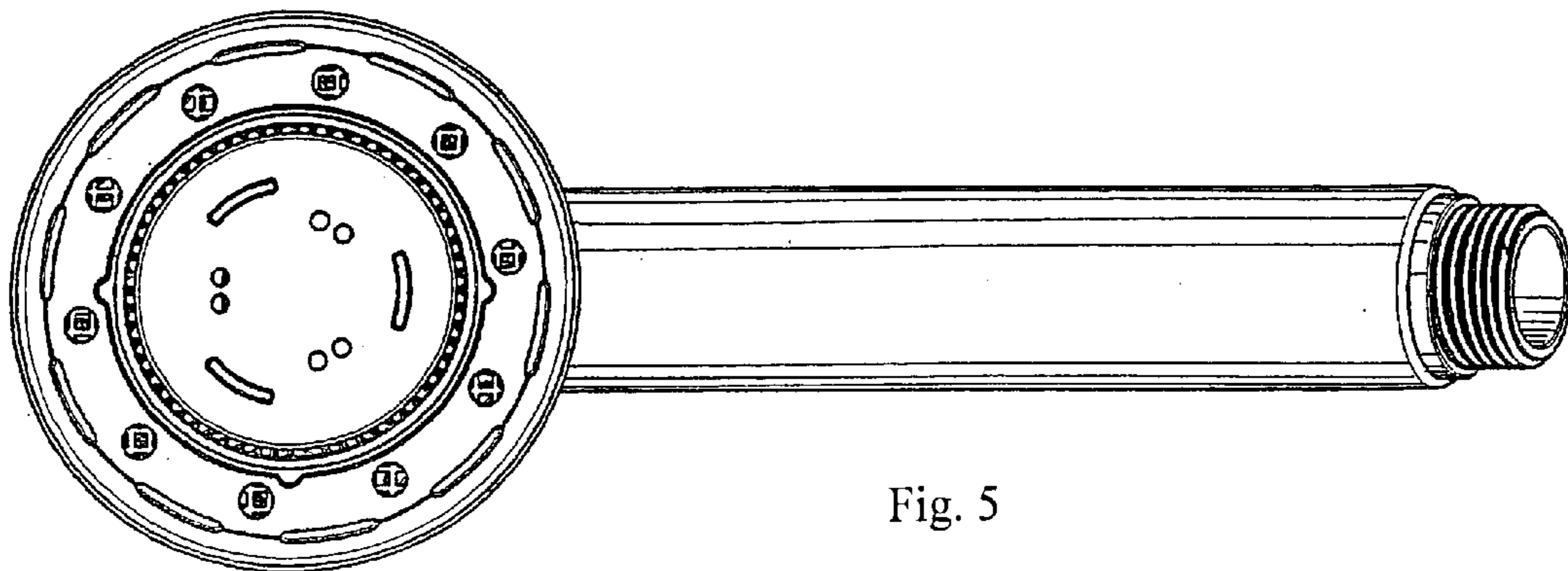


Fig. 5