



US00D518143S

(12) **United States Design Patent**
Weidler et al.

(10) **Patent No.: US D518,143 S**

(45) **Date of Patent: ** Mar. 28, 2006**

(54) **SOLID PARTICLE FILTER TRAP**

(75) Inventors: **Grant Evans Weidler**, Houston, TX (US); **Farah Jurnshyd**, Houston, TX (US); **Maximillian Philip Burton**, New York, NY (US); **John Thomas Jacobsen**, New Bedford, MA (US); **Goeran Jerstroem**, New York, NY (US)

(73) Assignee: **Shell Oil Company**, Houston, TX (US)

(**) Term: **14 Years**

(21) Appl. No.: **29/213,639**

(22) Filed: **Sep. 21, 2004**

(51) **LOC (8) Cl.** **23-01**

(52) **U.S. Cl.** **D23/209; D32/56**

(58) **Field of Classification Search** D23/207, D23/209; 210/250, 493.1, 493.3; D32/55, D32/56

See application file for complete search history.

(56) **References Cited**

U.S. PATENT DOCUMENTS

3,824,671 A * 7/1974 Watkin 29/717

D256,943 S * 9/1980 Angelinetta D23/209

D307,462 S * 4/1990 Merkouris D23/209

D325,070 S * 3/1992 Kopf D23/209

D363,577 S * 10/1995 Brightbill et al. D32/55

6,269,953 B1 * 8/2001 Seyffert et al. 209/399

D490,198 S * 5/2004 Jerstroem et al. D32/55

* cited by examiner

Primary Examiner—Robin V. Webster

(74) *Attorney, Agent, or Firm*—Kimbley L. Muller

(57) **CLAIM**

We claim the ornamental design for a solid particle filter trap, as shown and described.

DESCRIPTION

FIG. 1 is a top perspective view of the solid particle filter trap embodying our design;

FIG. 2 is a bottom, side perspective view thereof;

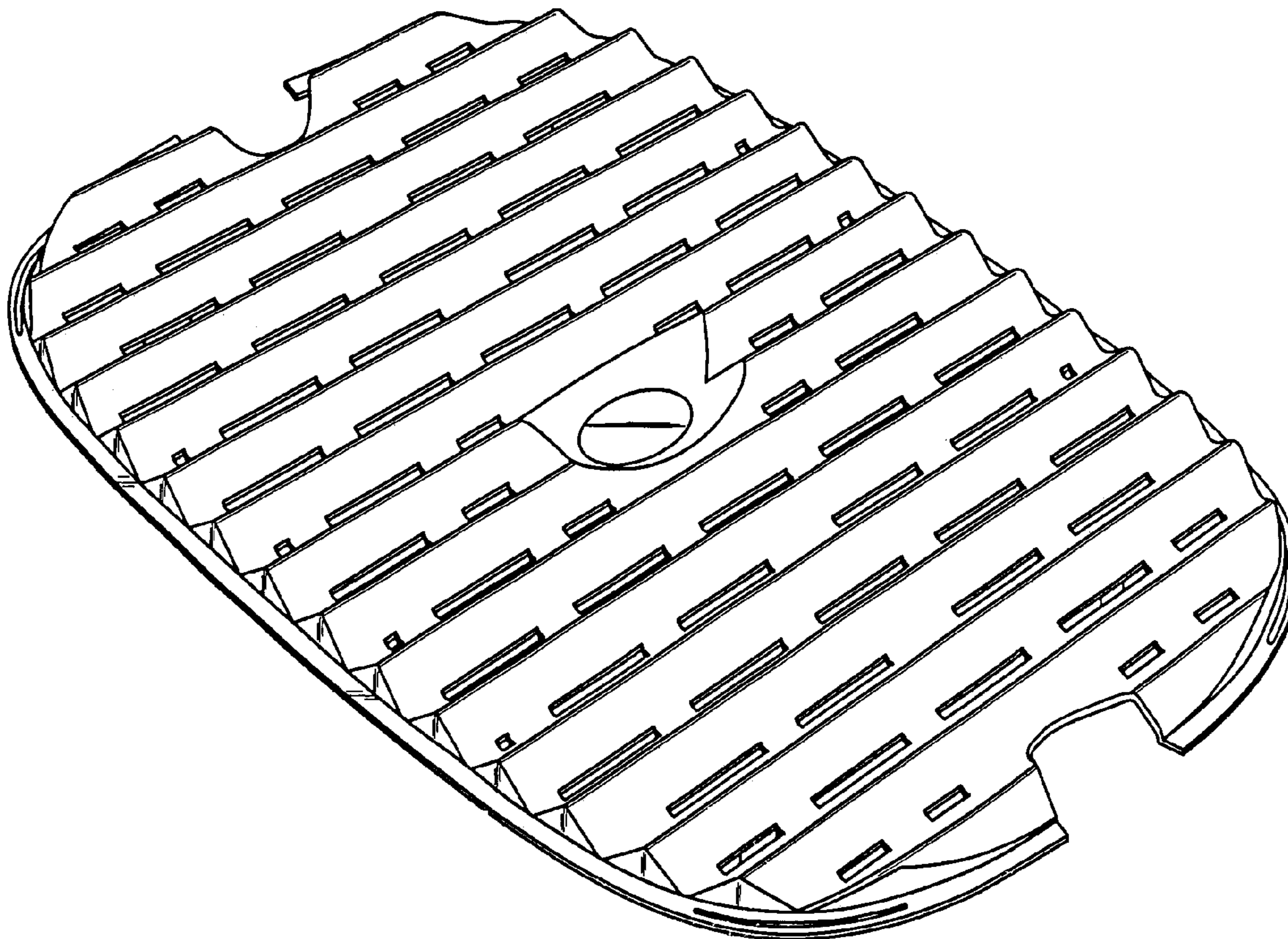
FIG. 3 is a top plan view thereof;

FIG. 4 is a side view thereof;

FIG. 5 is an end view thereof; and,

FIG. 6 is a bottom plan view thereof.

1 Claim, 4 Drawing Sheets



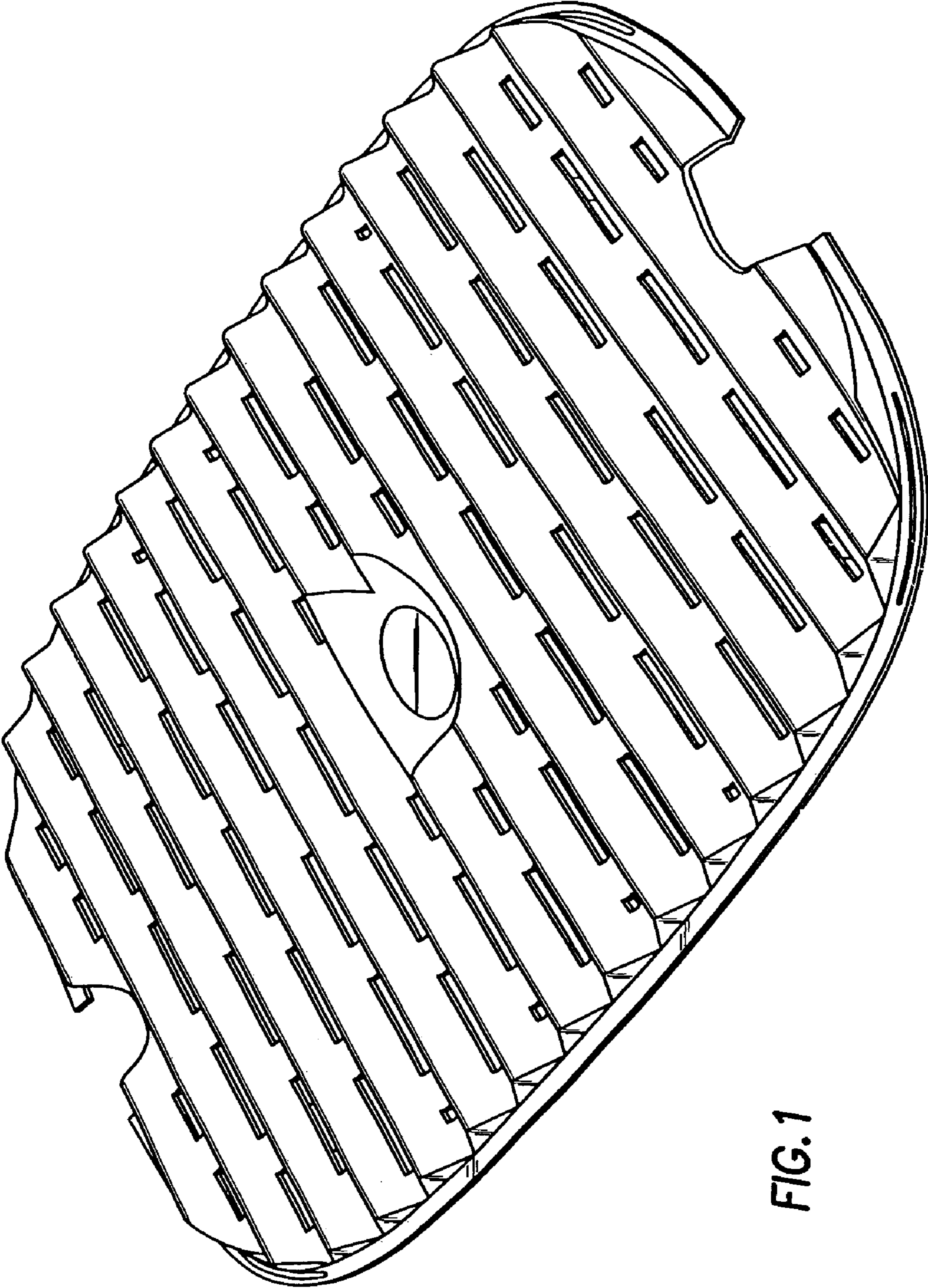


FIG. 1

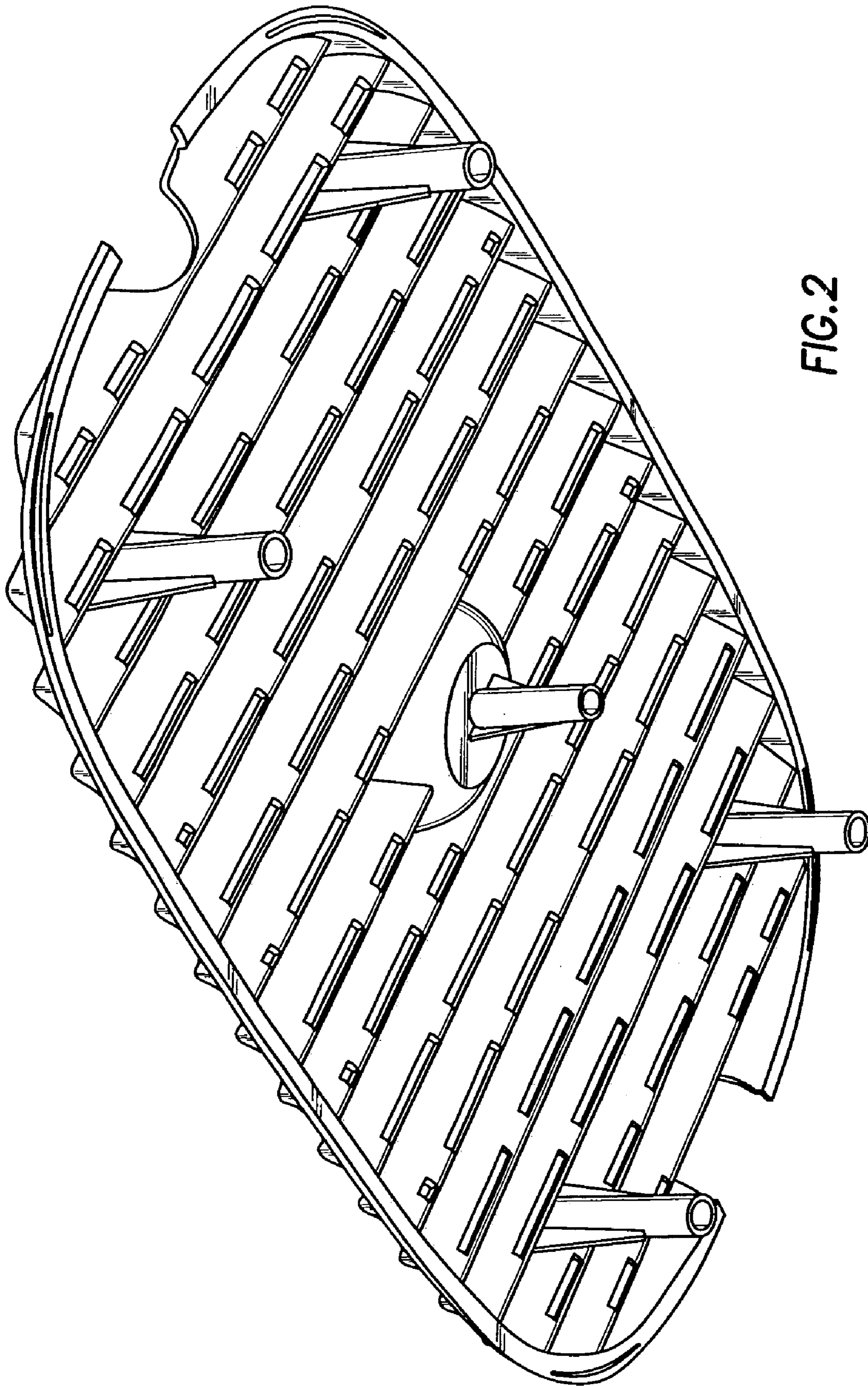


FIG. 2

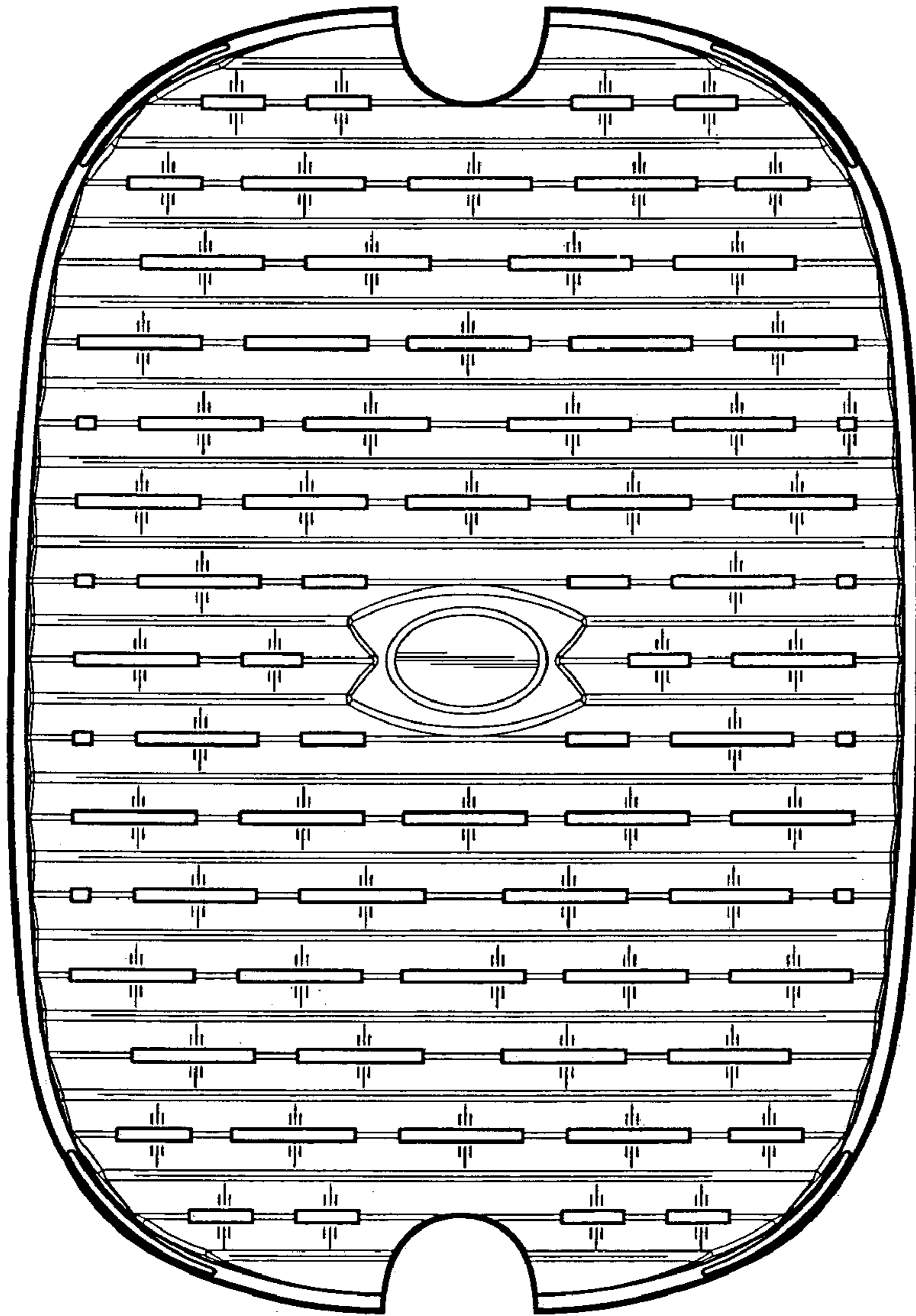


FIG. 3

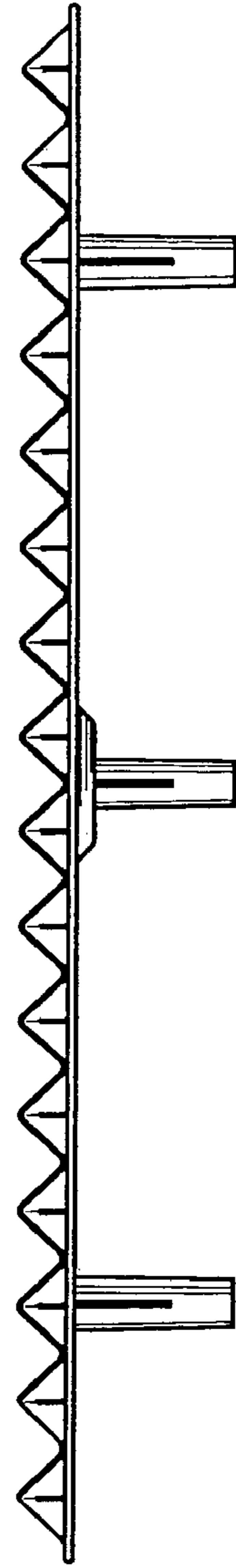


FIG. 4

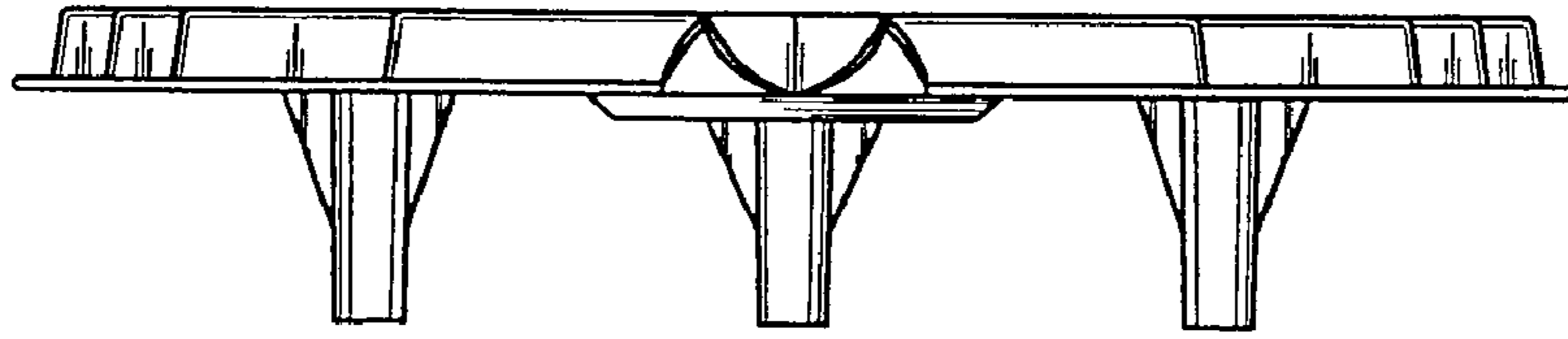


FIG. 5

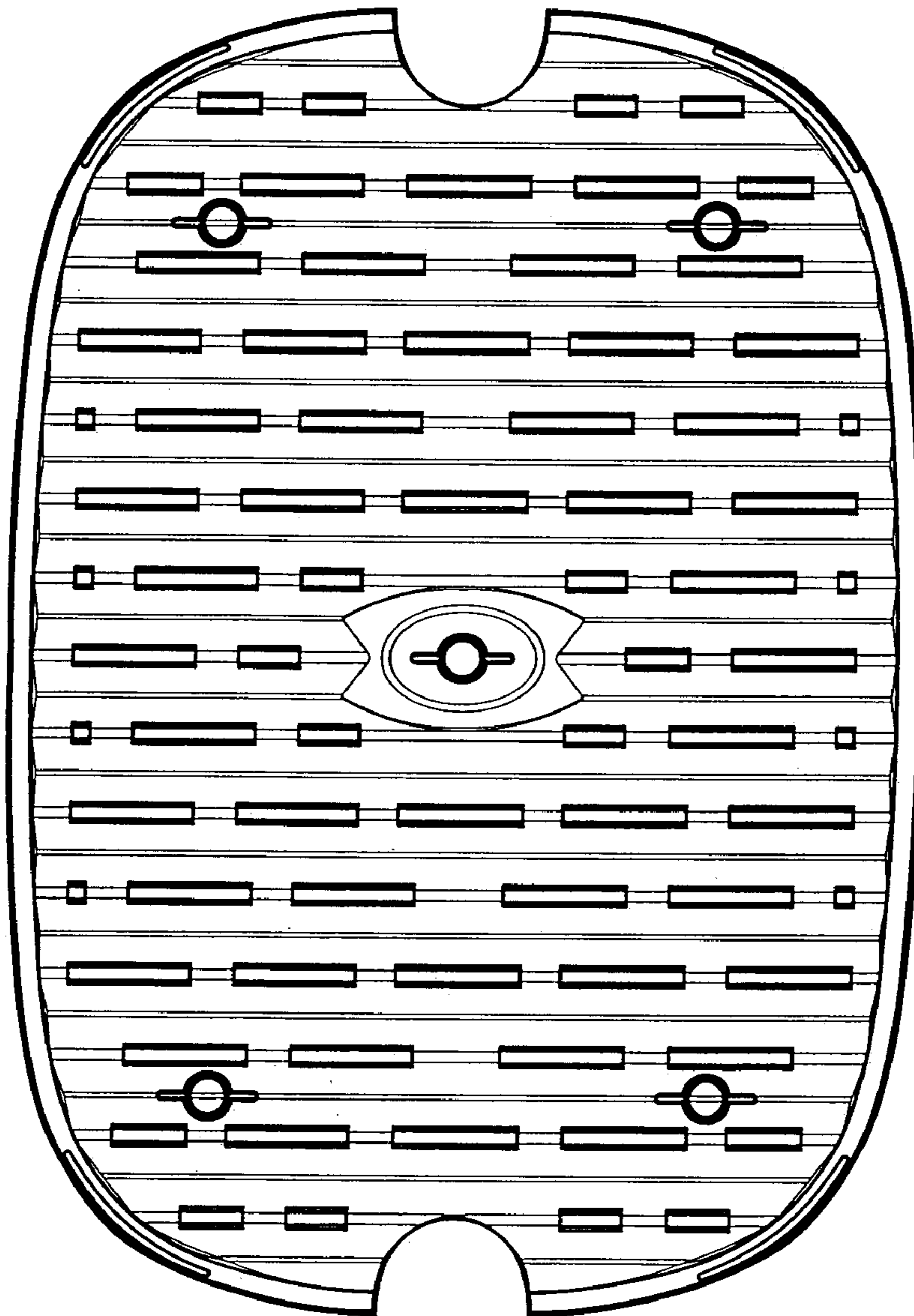


FIG. 6