



US00D518138S

(12) **United States Design Patent**
Burke

(10) **Patent No.:** **US D518,138 S**
(45) **Date of Patent:** **** Mar. 28, 2006**

(54) **TRANSPARENT LIVE-CAPTURE MOUSE TRAP**

(76) Inventor: **Martin P. Burke**, 438 Hamilton Dr.,
Fairfield, CA (US) 94533

(**) Term: **14 Years**

(21) Appl. No.: **29/224,469**

(22) Filed: **Mar. 3, 2005**

(51) **LOC (8) Cl.** **22-06**

(52) **U.S. Cl.** **D22/119**

(58) **Field of Classification Search** D22/119,
D22/120, 123; 43/131, 58, 60-61, 65-66,
43/121, 124; 368/93

See application file for complete search history.

(56) **References Cited**

U.S. PATENT DOCUMENTS

883,611 A	3/1908	Barad et al.	43/1
3,786,591 A	1/1974	Morford	43/66
4,508,352 A	4/1985	Johnson	273/274
5,175,956 A *	1/1993	Hover, Sr. et al.	43/58
5,265,371 A	11/1993	McCuiston, III et al.	43/70

5,471,781 A	12/1995	Vine	43/69
5,588,249 A	12/1996	Flinner	43/61
D405,862 S *	2/1999	Shultz	D22/119
D423,631 S *	4/2000	Shultz	D22/119
D470,562 S *	2/2003	Lafforthun	D22/119
D485,597 S *	1/2004	Turner	D22/119

* cited by examiner

Primary Examiner—Catherine R. Oliver

(74) *Attorney, Agent, or Firm*—Donald R. Schoonover

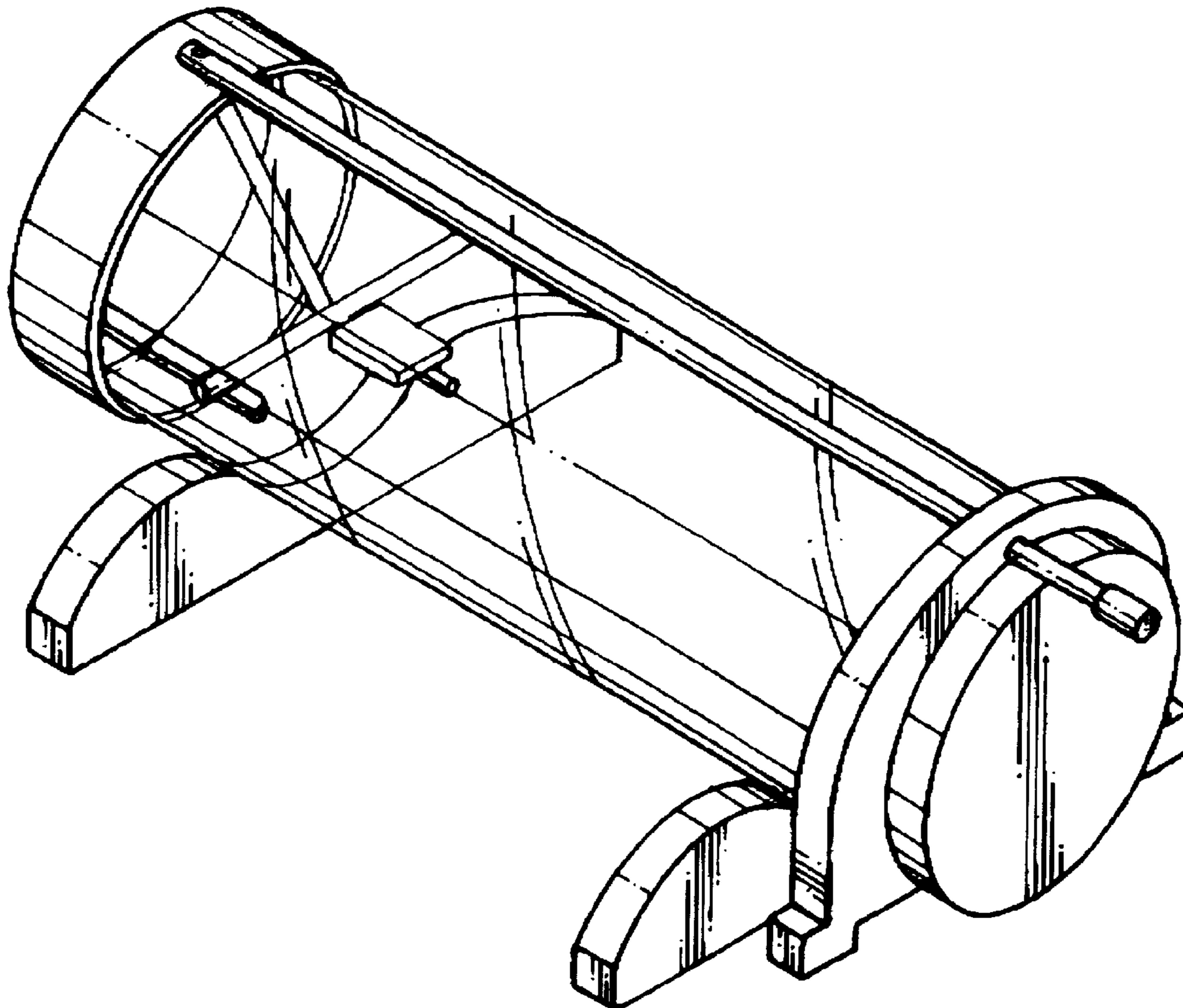
(57) **CLAIM**

I claim the ornamental design for a transparent live-capture mouse trap, as shown and described.

DESCRIPTION

FIG. 1 is a perspective view of a transparent live-capture mouse trap showing my new design; FIG. 2 is a side elevational view thereof, the elevational view of the opposing side being a mirror image thereof; FIG. 3 is an end elevational view thereof; FIG. 4 is an elevational view of the opposing end thereof; FIG. 5 is a top plan view thereof; and, FIG. 6 is a bottom plan view thereof.

1 Claim, 4 Drawing Sheets



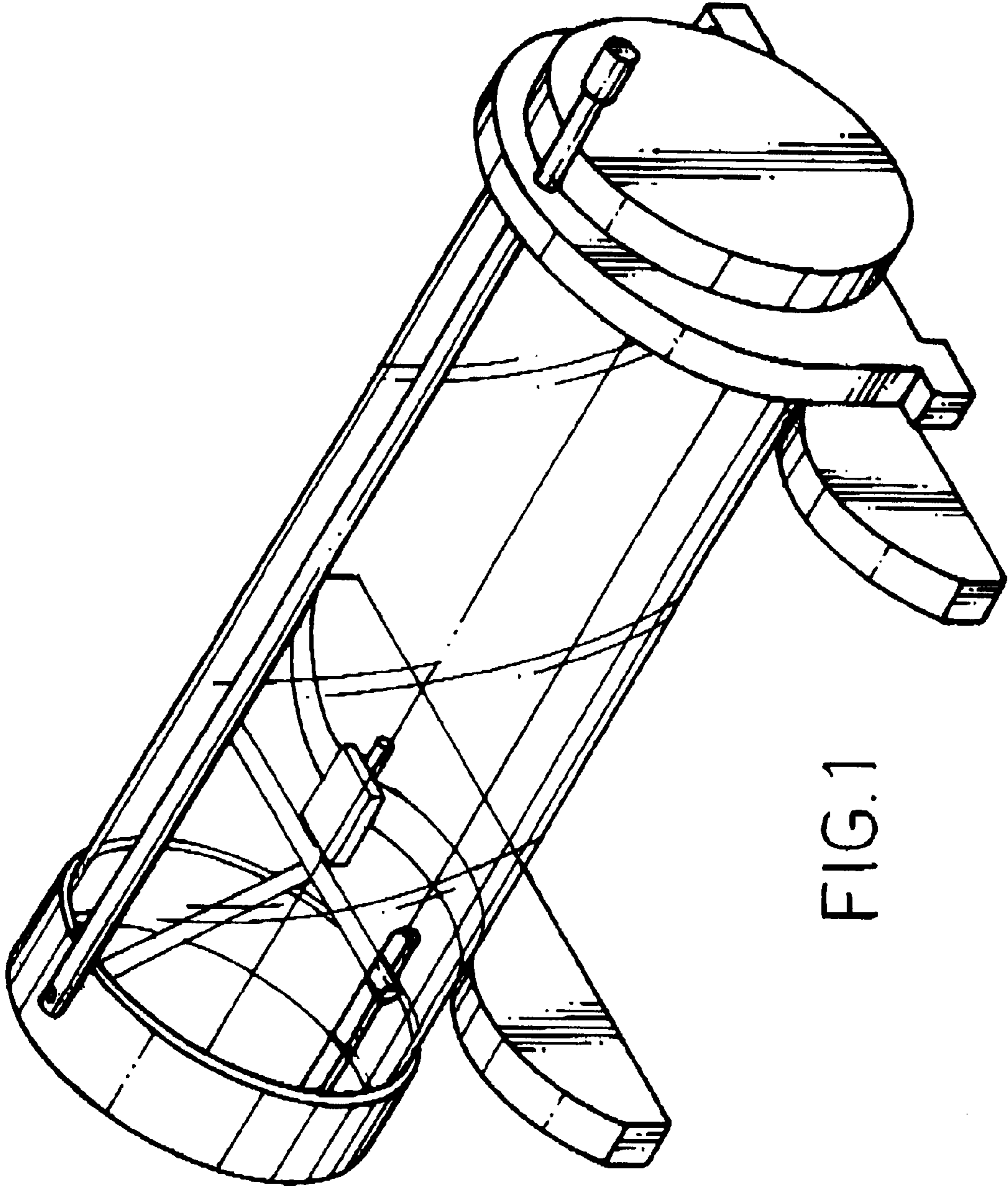


FIG.1

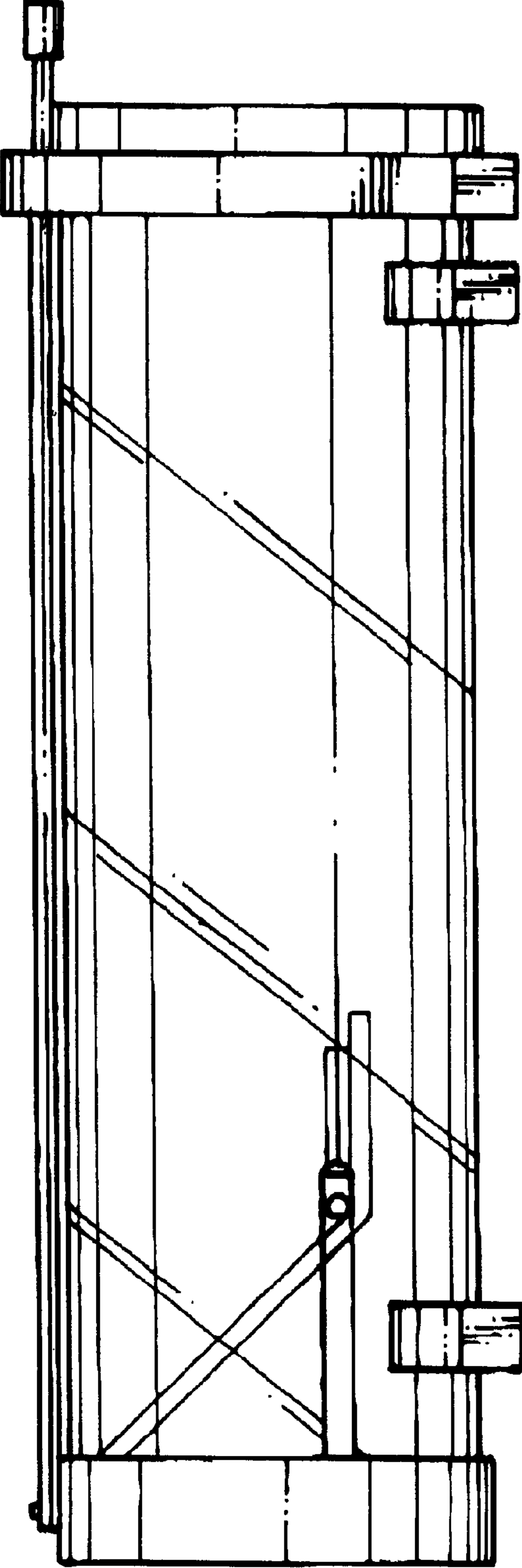


FIG. 2

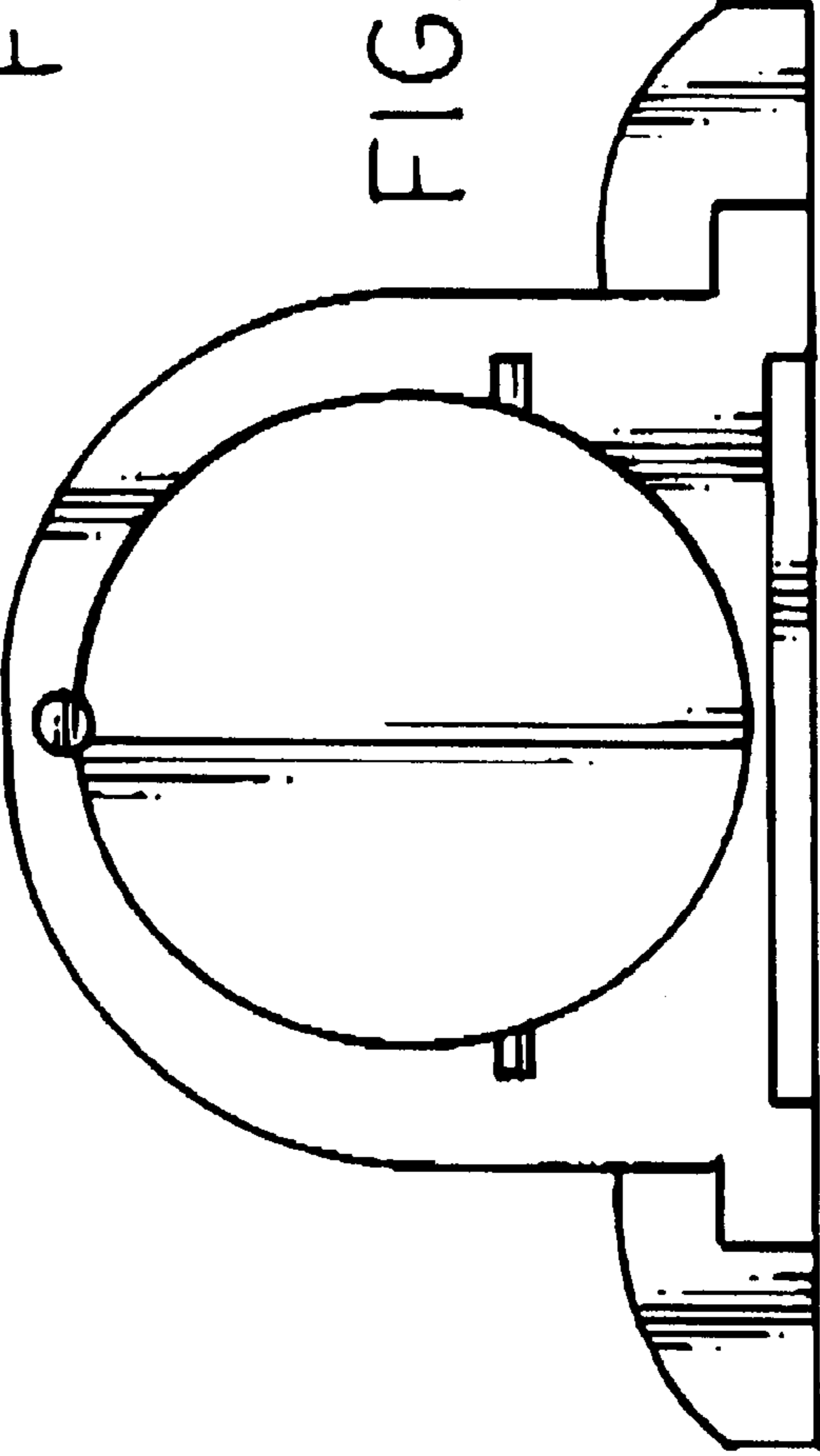
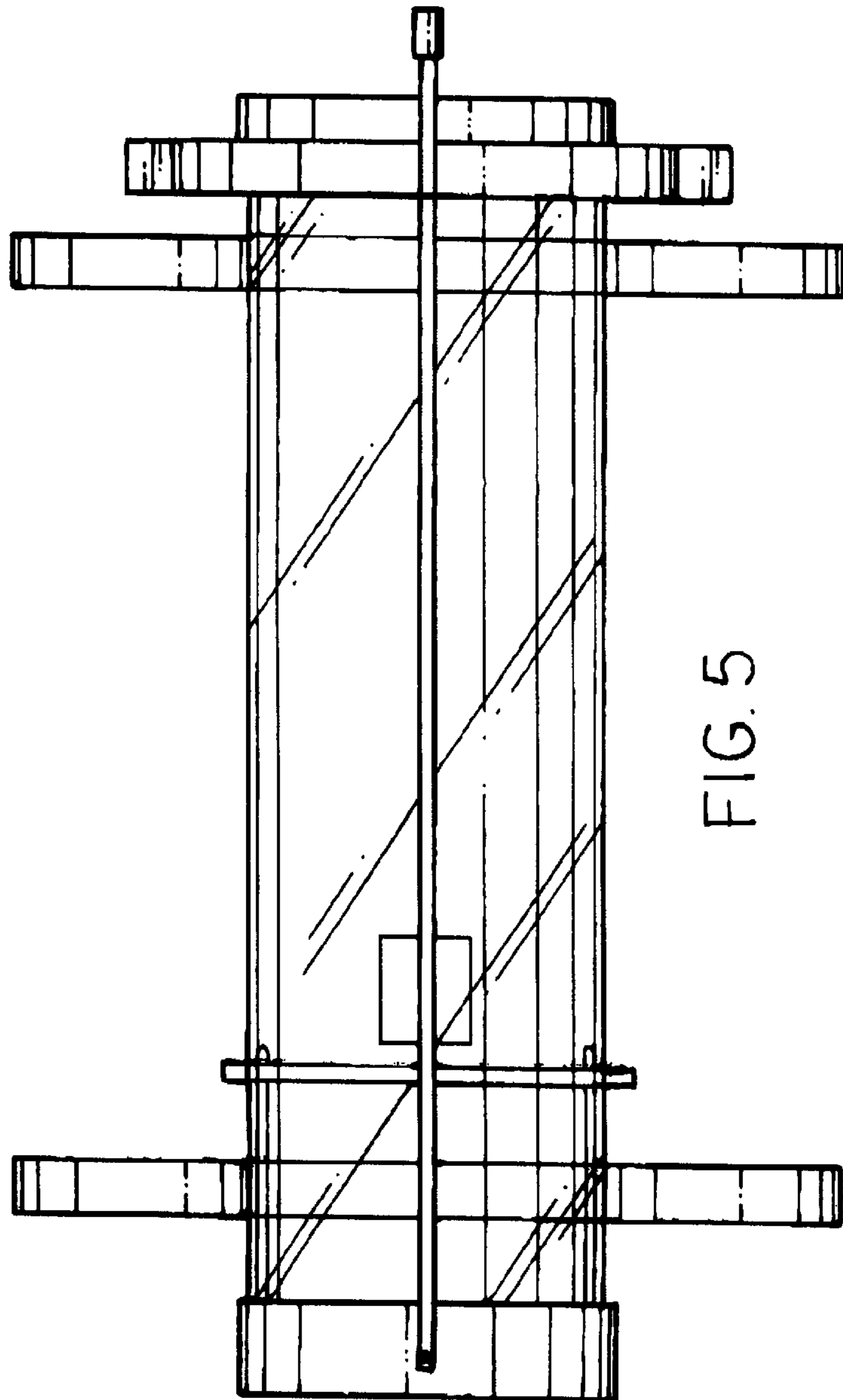
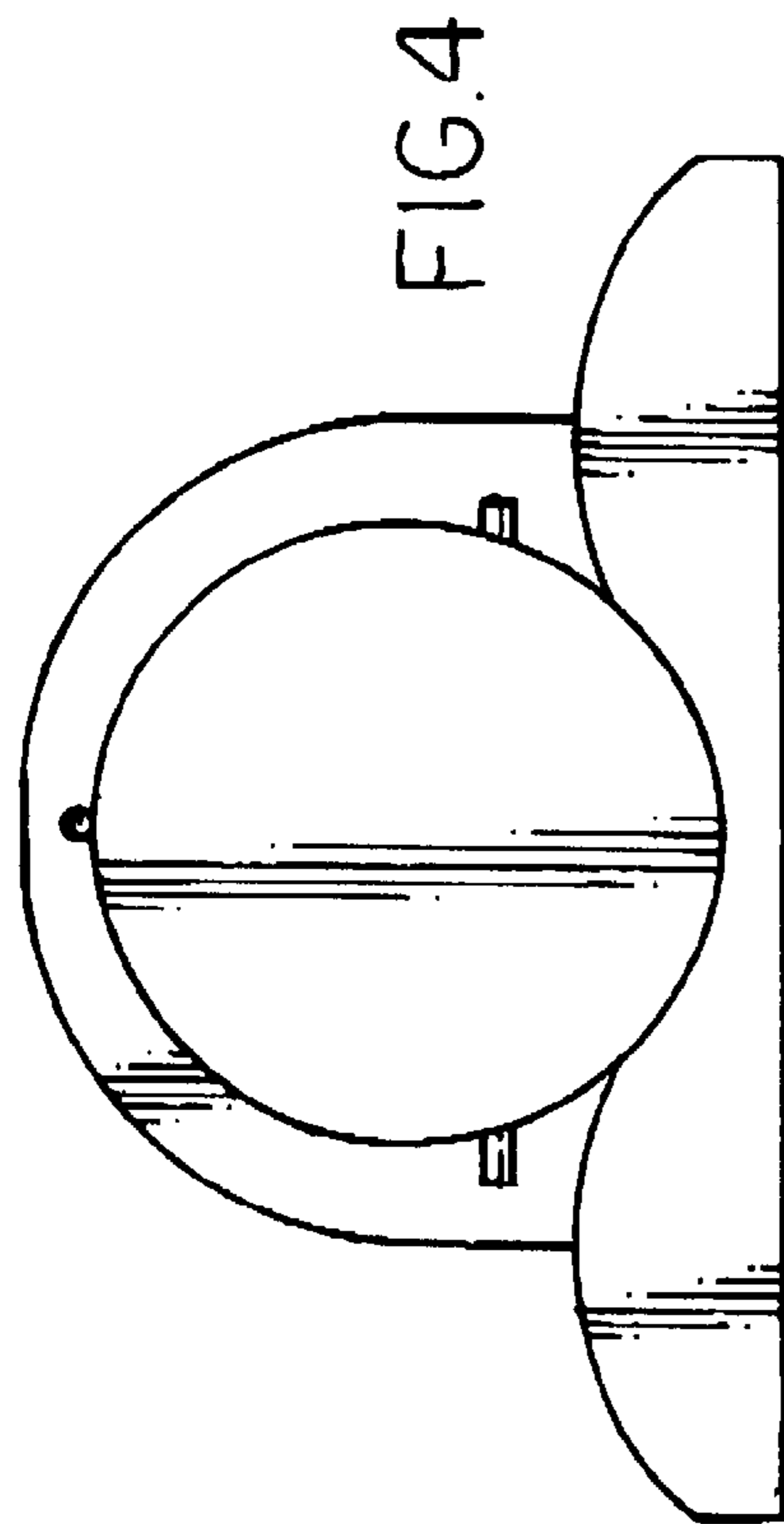


FIG. 3



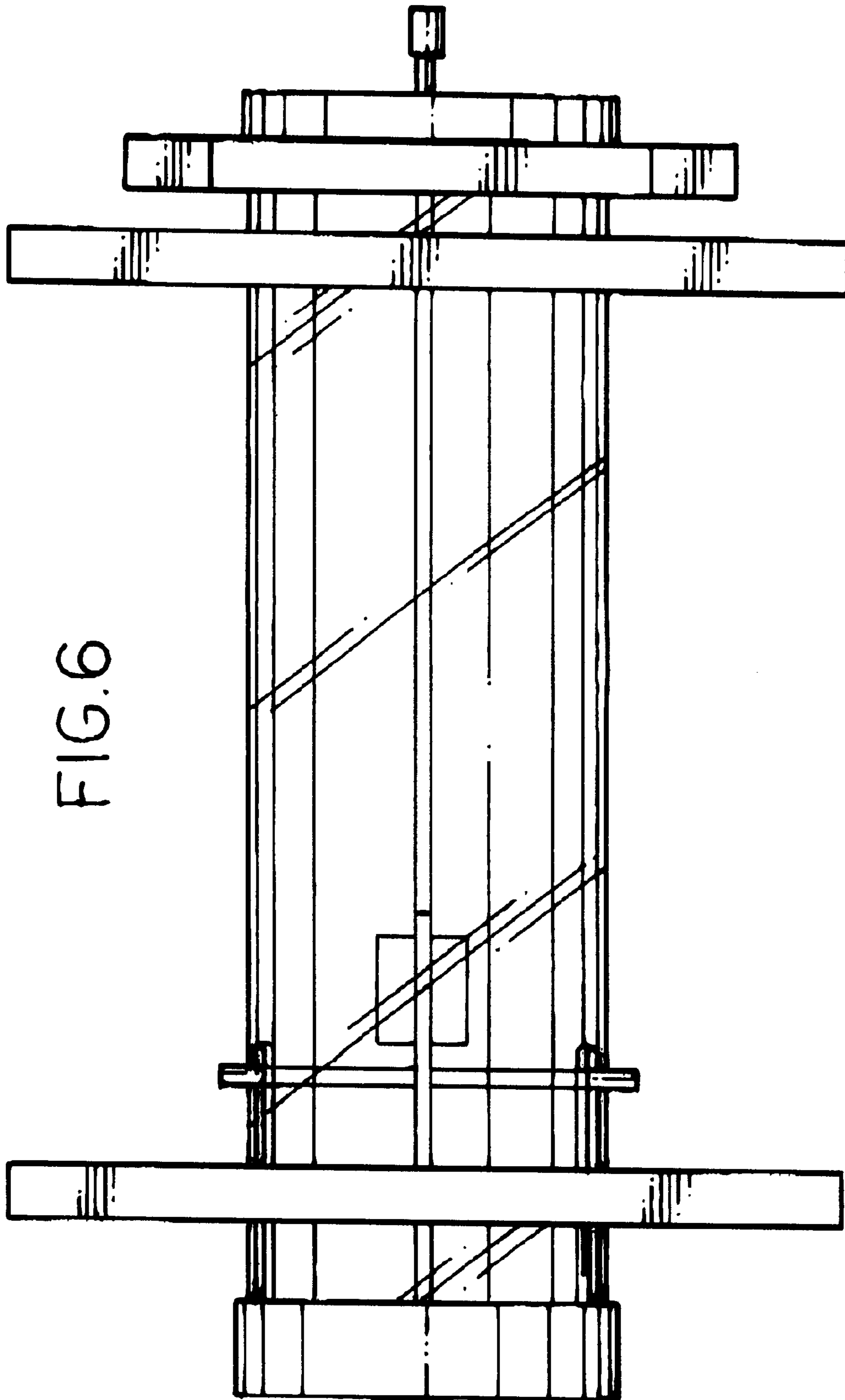


FIG. 6