



US00D518126S

(12) **United States Design Patent**
Sloboda

(10) **Patent No.:** **US D518,126 S**

(45) **Date of Patent:** **** Mar. 28, 2006**

(54) **GOLF PUTTER HEAD**

(76) Inventor: **Stephen M. Sloboda**, 23579 Emmons Rd., Columbia Station, OH (US) 44028

(**) Term: **14 Years**

(21) Appl. No.: **29/214,007**

(22) Filed: **Sep. 28, 2004**

(51) **LOC (8) Cl.** **21-02**

(52) **U.S. Cl.** **D21/738**

(58) **Field of Classification Search** D21/736-746;
473/324-331, 340, 341, 251-256
See application file for complete search history.

(56) **References Cited**

U.S. PATENT DOCUMENTS

D136,005 S	*	7/1943	Armstrong	D21/741
D180,257 S	*	5/1957	Wetzel	D21/734
D267,579 S	*	1/1983	Mullins	D21/741
D310,551 S	*	9/1990	West et al.	D21/743
5,160,144 A	*	11/1992	Maniatis	473/251
D356,845 S	*	3/1995	Lutts	D21/738

D405,491 S * 2/1999 Bizovi D21/744

* cited by examiner

Primary Examiner—Mitchell Siegel

(74) *Attorney, Agent, or Firm*—James A. Hudak

(57) **CLAIM**

I claim the ornamental design for a golf putter head, as shown and described.

DESCRIPTION

FIG. 1 is a perspective view of a golf putter head, showing my new design;

FIG. 2 is a front elevational view thereof;

FIG. 3 is a rear elevational view thereof;

FIG. 4 is a right side elevational view thereof;

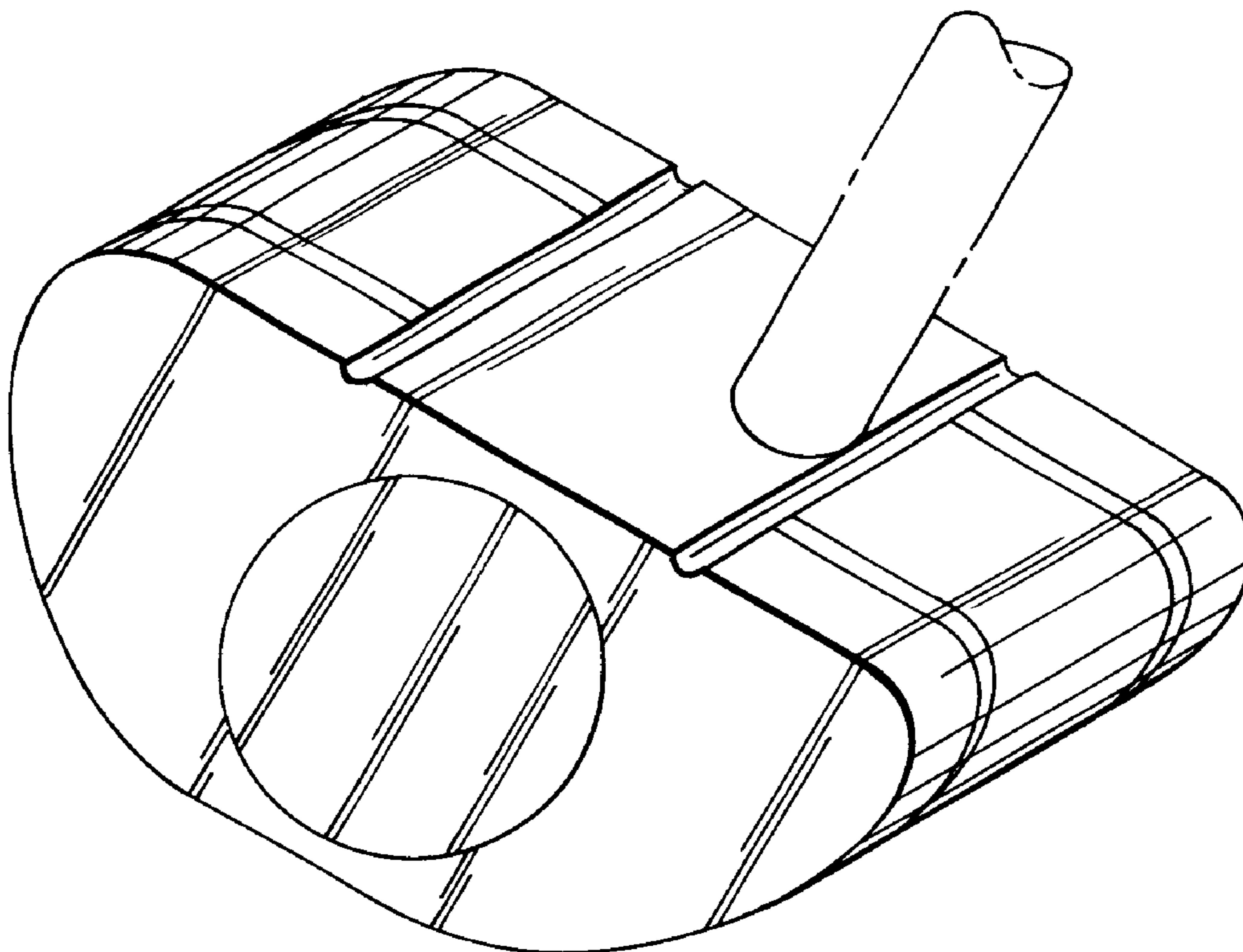
FIG. 5 is a left side elevational view thereof;

FIG. 6 is a top plan view thereof; and,

FIG. 7 is a bottom plan view thereof.

The broken line illustration in the Figures represents the golf putter shaft and is not part of the design sought to be patented.

1 Claim, 2 Drawing Sheets



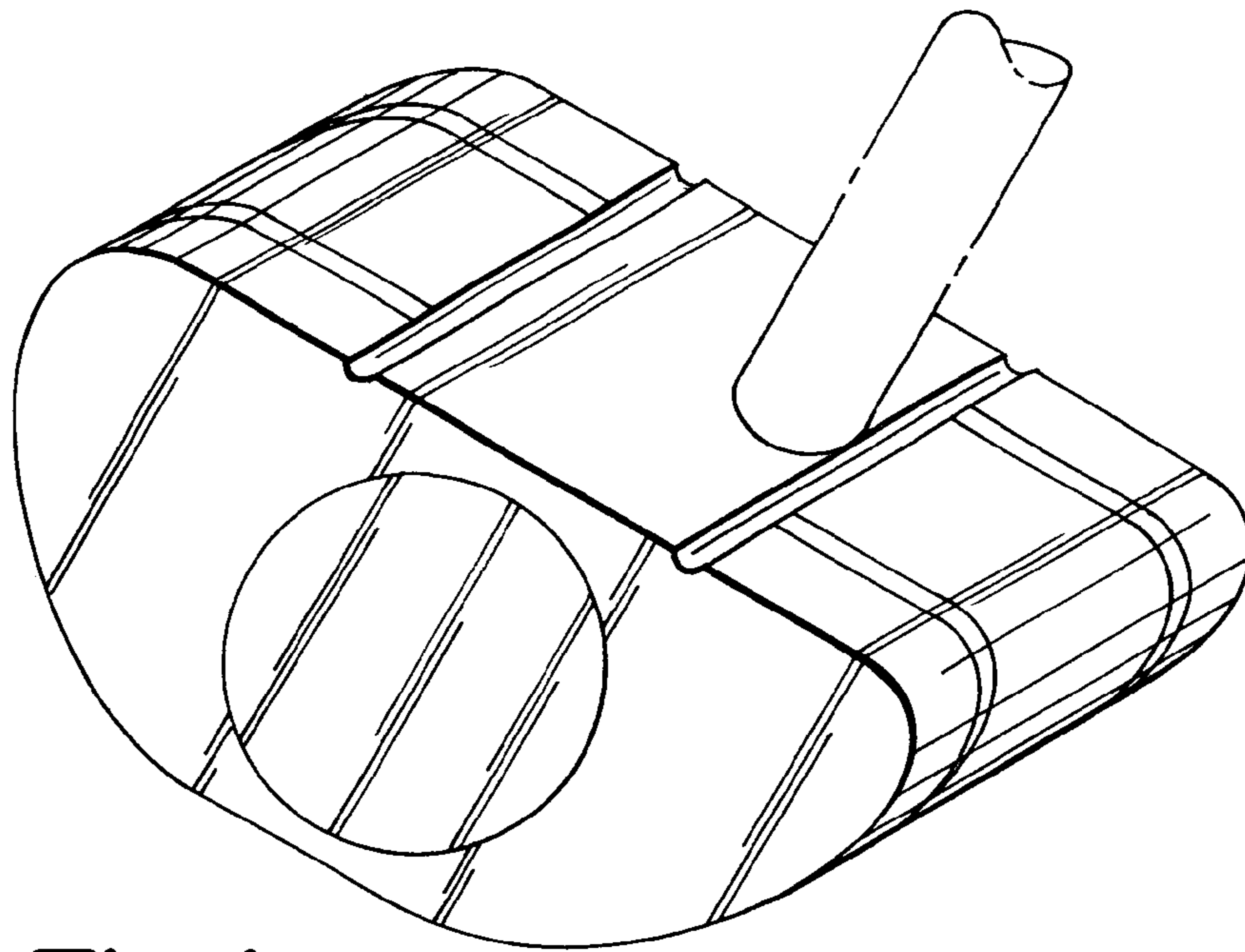


Fig. 1

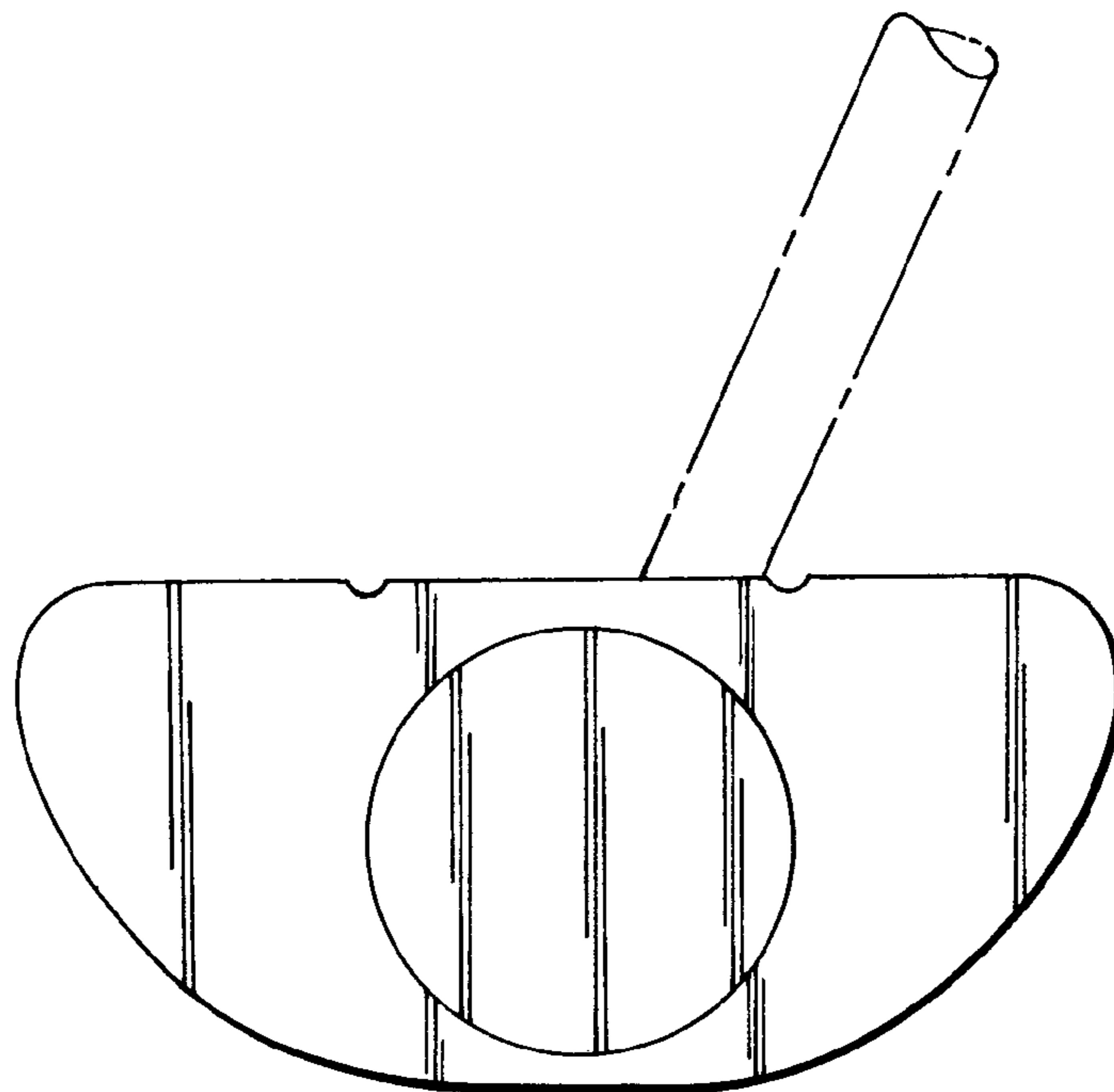


Fig. 2

Fig. 3

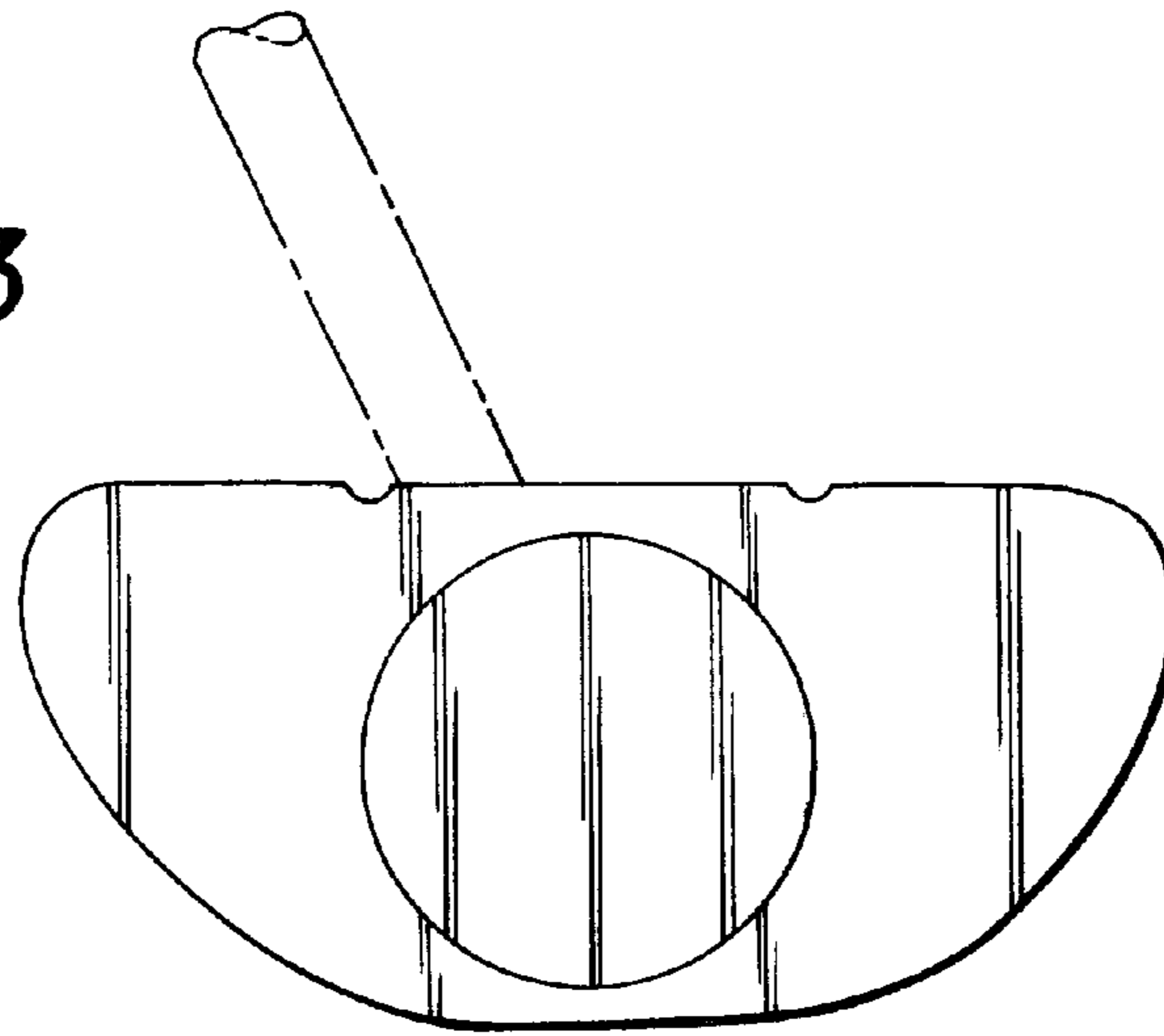


Fig. 4

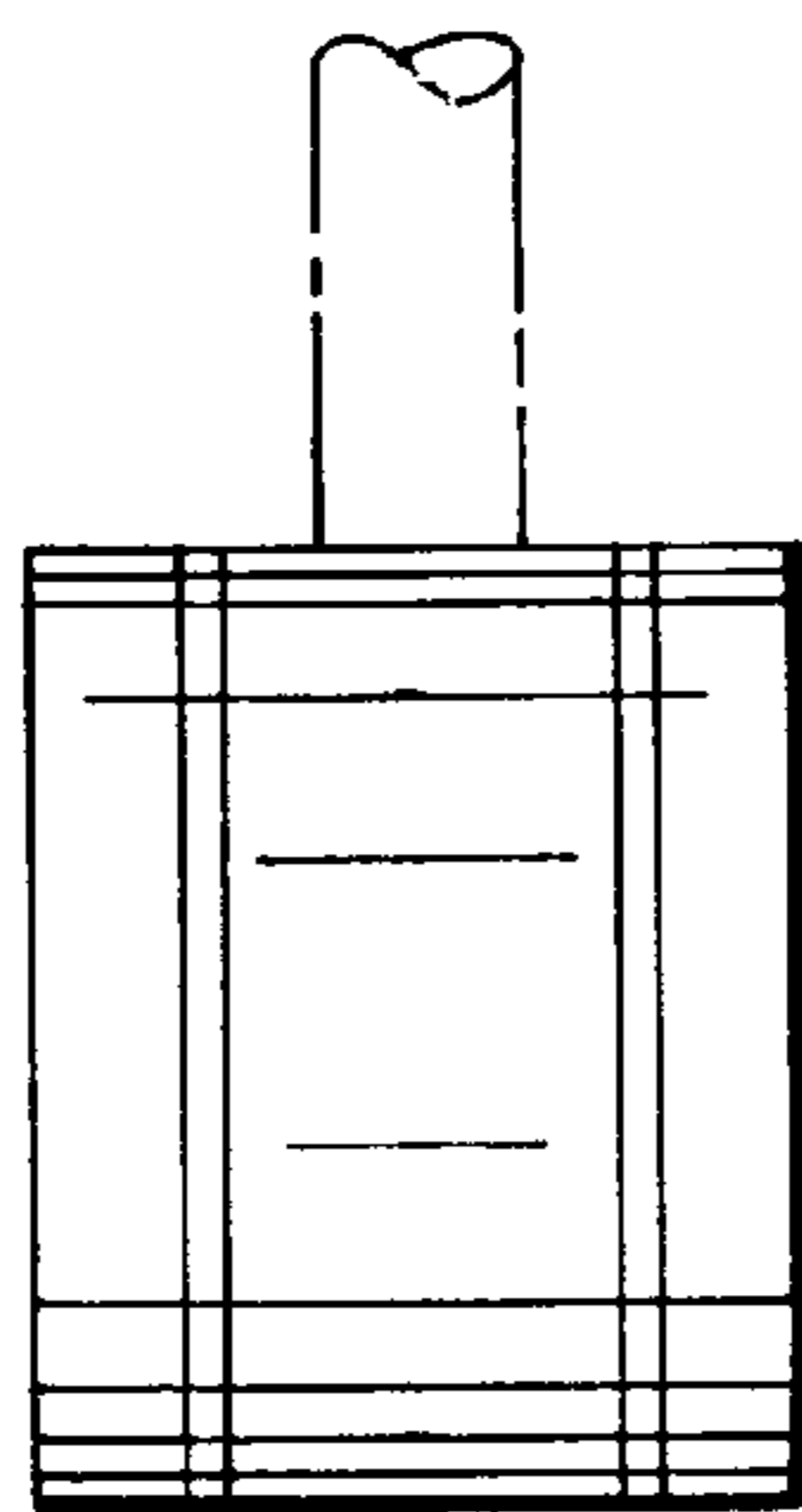


Fig. 5

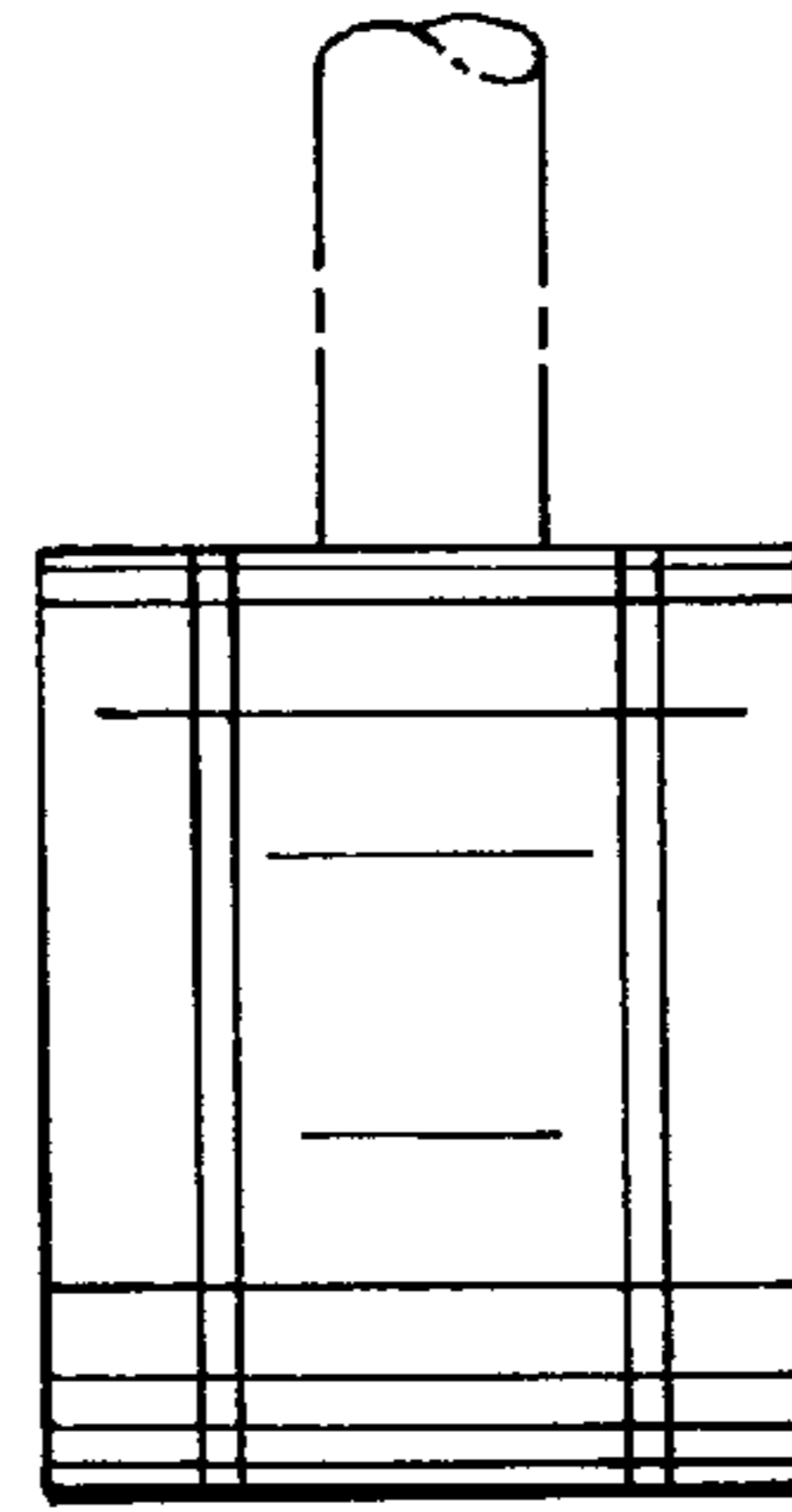


Fig. 6

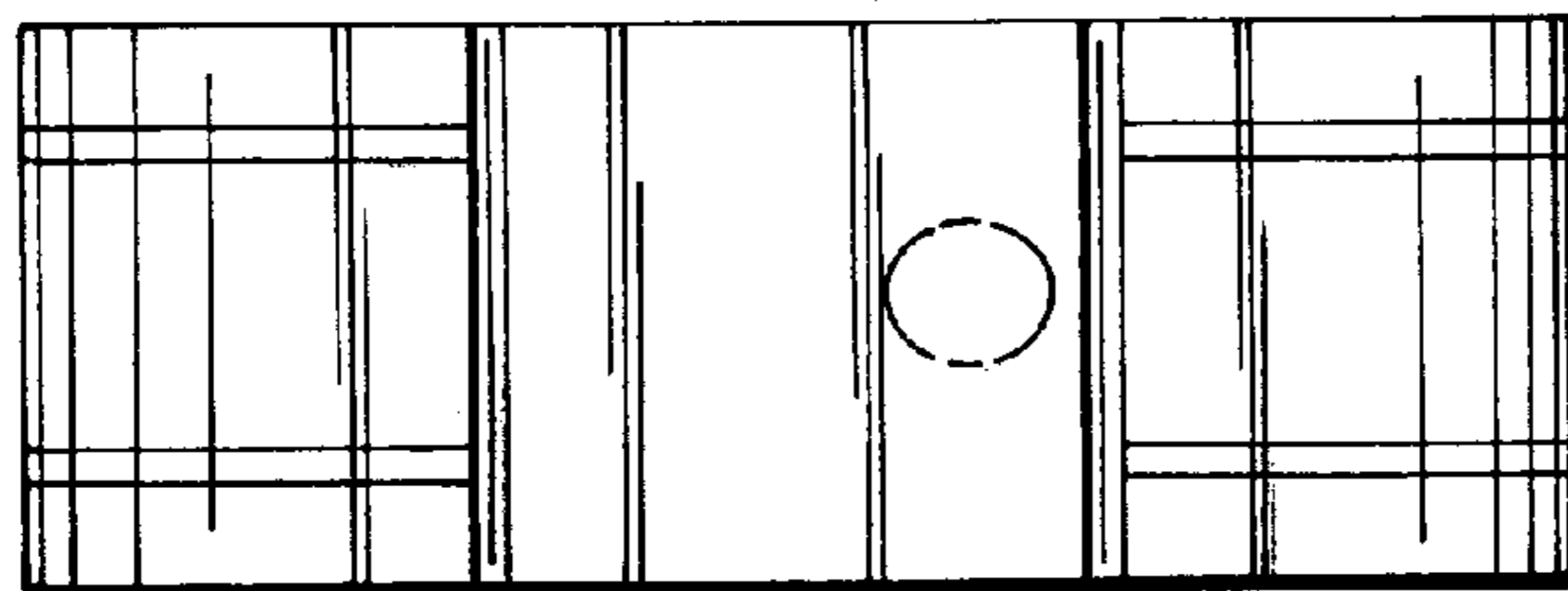


Fig. 7

