



US00D518125S

(12) **United States Design Patent**  
**Fain**

(10) **Patent No.:** **US D518,125 S**

(45) **Date of Patent:** **\*\* Mar. 28, 2006**

(54) **PUTTER HEAD**

(76) Inventor: **Michael Fain**, P.O. Box 80861,  
Midland, TX (US) 79708

(\*\*) Term: **14 Years**

(21) Appl. No.: **29/213,565**

(22) Filed: **Sep. 20, 2004**

(51) **LOC (8) Cl.** ..... **21-02**

(52) **U.S. Cl.** ..... **D21/736**

(58) **Field of Classification Search** ..... D21/736-746;  
473/324-331, 340, 341, 251-256

See application file for complete search history.

6,379,259 B1 \* 4/2002 Opie ..... 473/251  
D458,979 S 6/2002 Hill et al.  
6,464,598 B1 10/2002 Miller  
6,464,599 B1 10/2002 Wolf  
D494,238 S 8/2004 Fain  
D494,646 S 8/2004 Fain  
D494,647 S 8/2004 Fain

\* cited by examiner

*Primary Examiner*—Mitchell Siegel

(74) *Attorney, Agent, or Firm*—James E. Hudson, III;  
Kenneth A. Keeling; Keeling Hudson, L.L.C.

(57) **CLAIM**

The ornamental design for a putter head, as shown and described.

(56) **References Cited**

**U.S. PATENT DOCUMENTS**

2,957,696 A	10/1960	Warpotas	
D258,377 S	2/1981	Nordness et al.	
4,795,157 A	1/1989	Bencriscutto	
5,333,870 A	8/1994	Stevenson, Jr.	
5,344,149 A	9/1994	Miller	
5,601,500 A	2/1997	Shipley	
5,630,766 A	5/1997	Granelli	
D393,674 S	4/1998	Rhee	
5,928,088 A	7/1999	Matthews	
D412,728 S	8/1999	Broadbridge et al.	
5,938,538 A	8/1999	Broadbridge et al.	
D420,078 S	2/2000	Dawson	
D441,041 S	* 4/2001	Opie ..... D21/743	

**DESCRIPTION**

FIG. 1 is a declined perspective view of the putter head.

FIG. 2 is a right side view of the putter head.

FIG. 3 is a left side view of the putter head.

FIG. 4 is a front elevation view of the putter head.

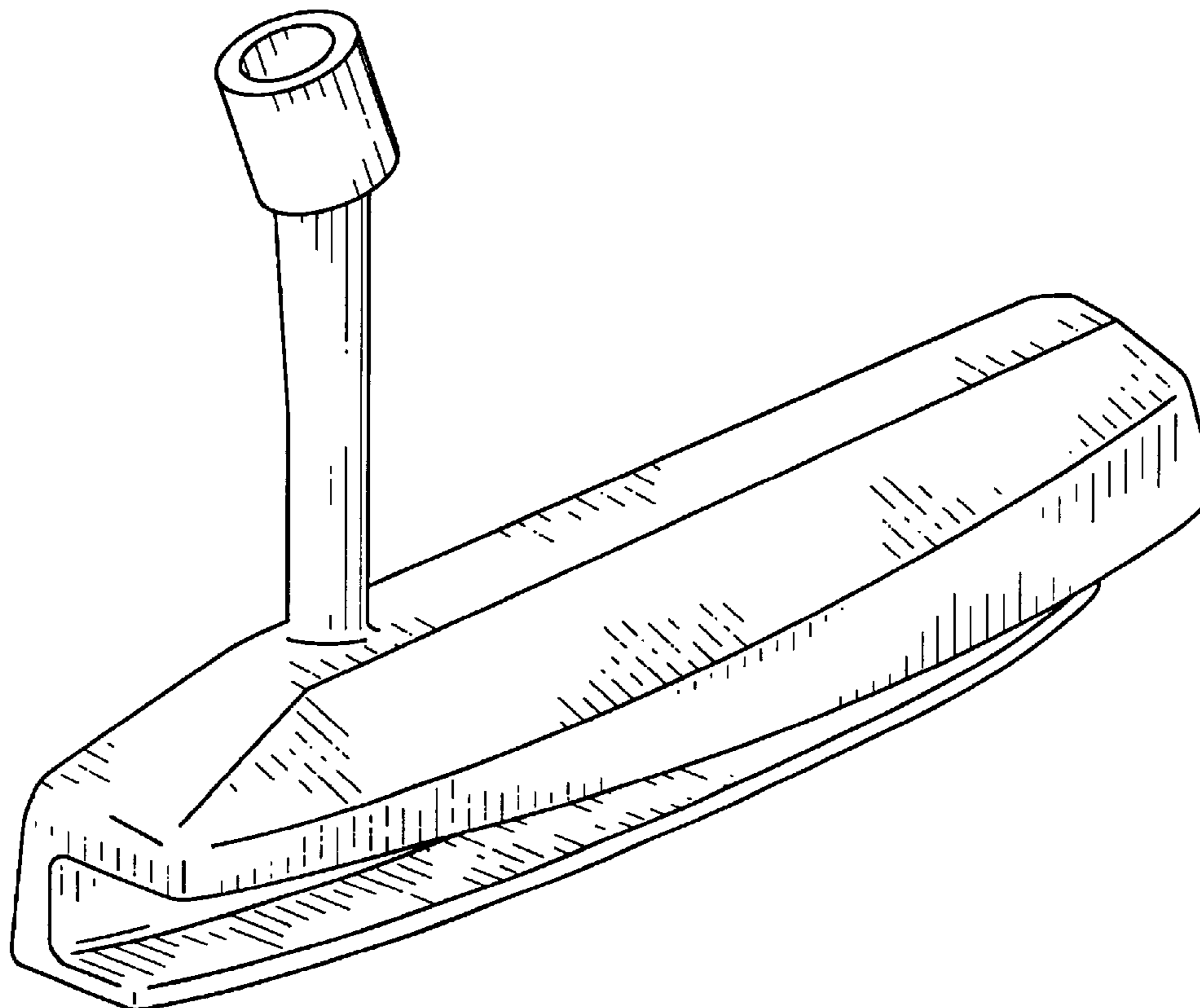
FIG. 5 is a rear elevation view of the putter head.

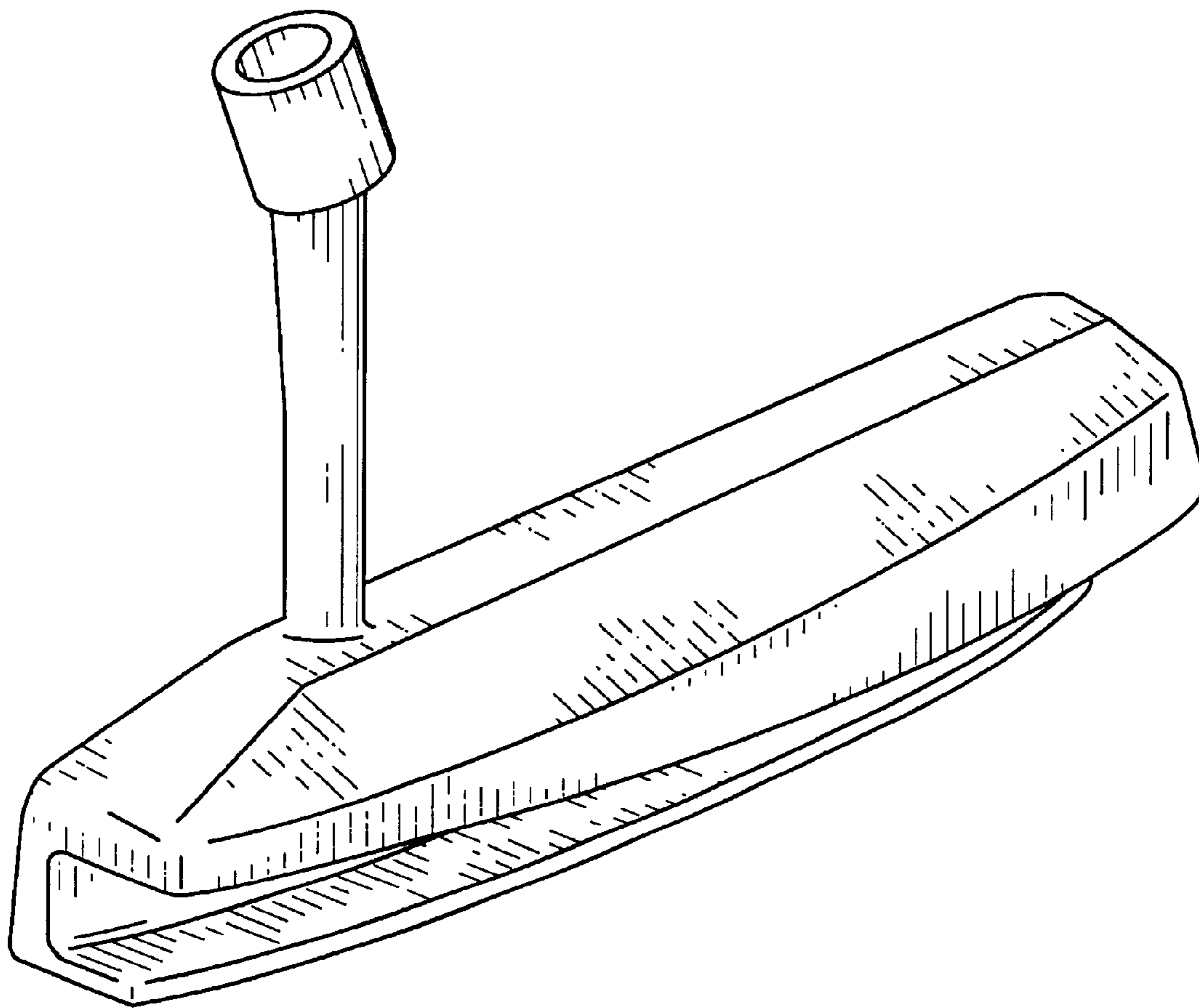
FIG. 6 is a top view of the putter head; and,

FIG. 7 is a bottom view of the putter head.

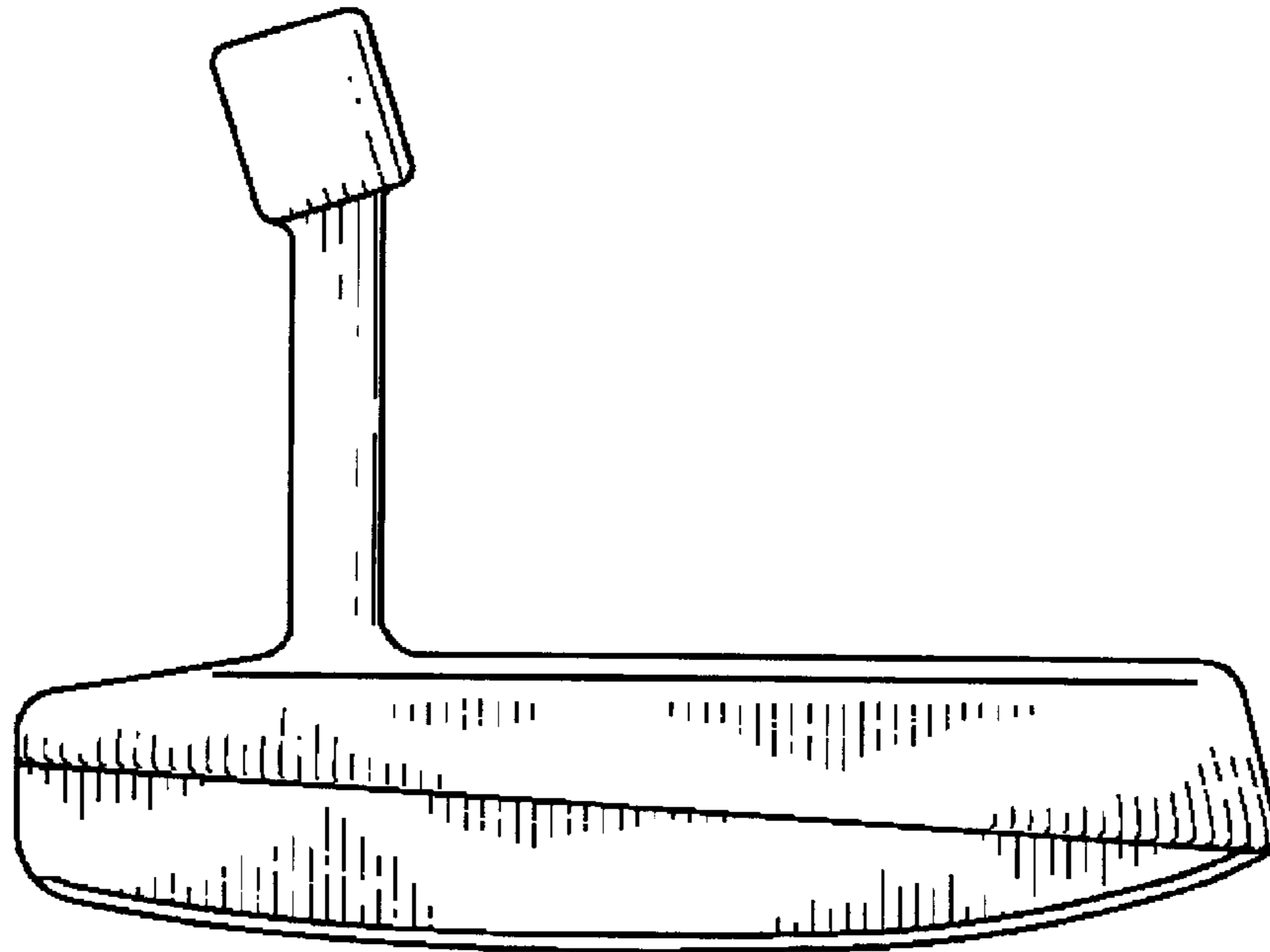
A second embodiment of the putter head, in the form of a left-handed putter head would be a mirror (or reverse) image of the putter head shown in FIGS. 1-7.

**1 Claim, 3 Drawing Sheets**

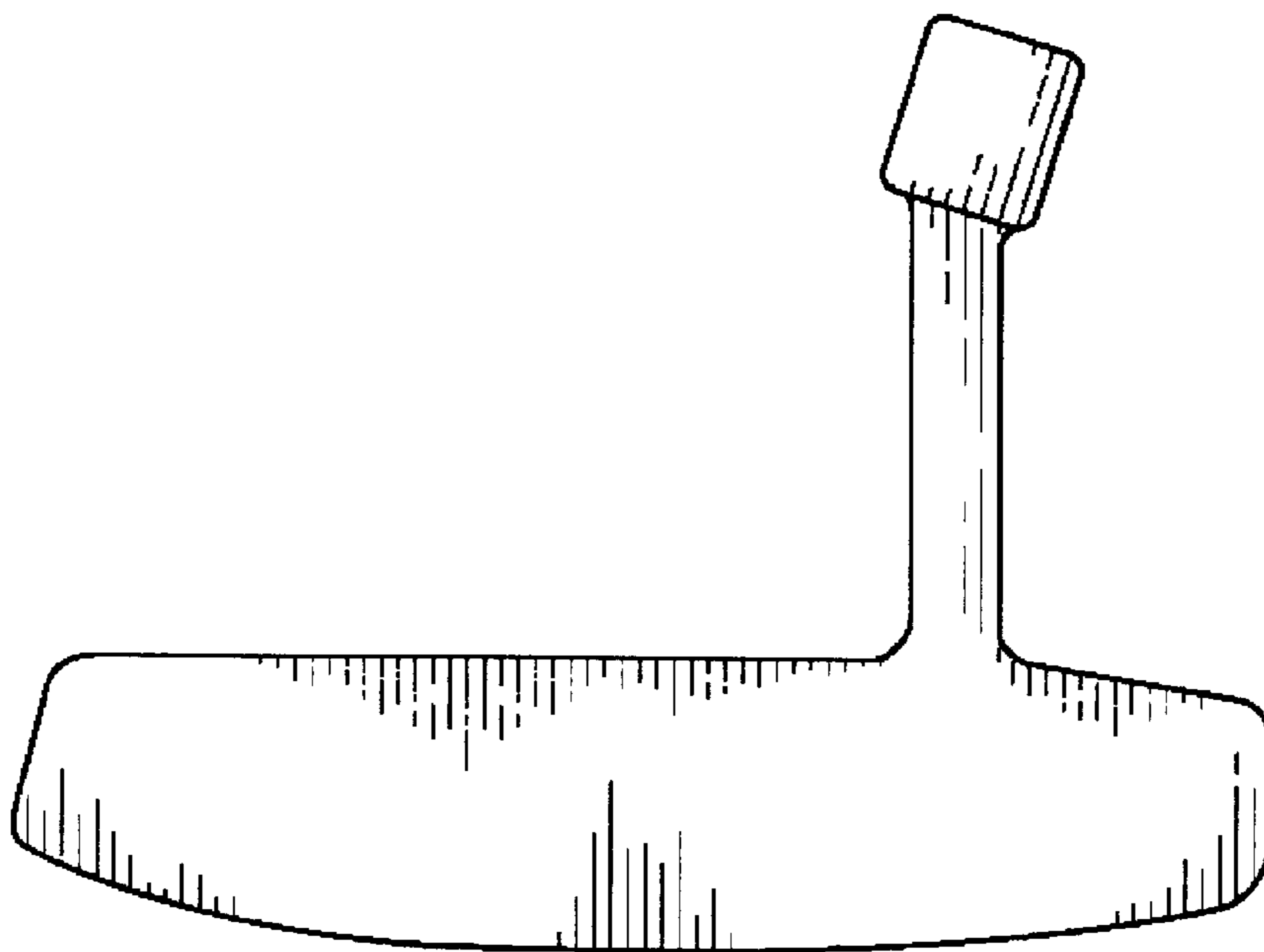




**FIG. 1**



**FIG. 2**



**FIG. 3**

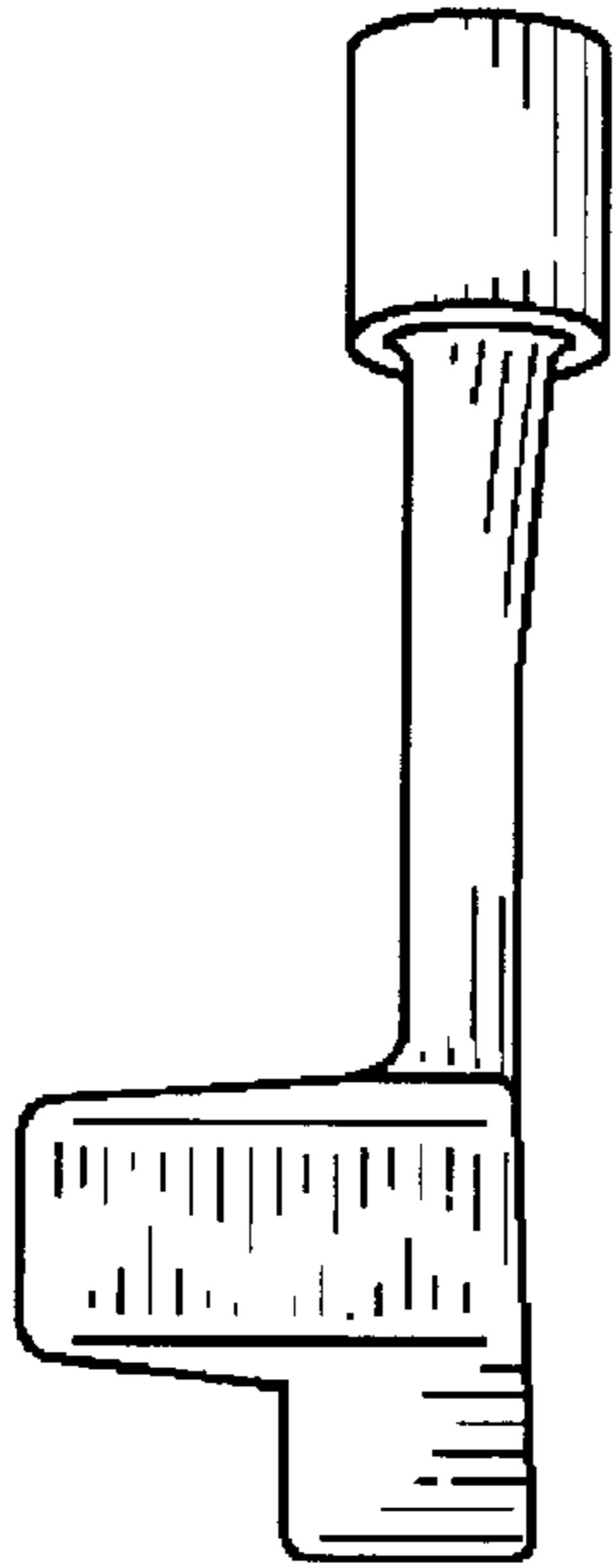


FIG. 4

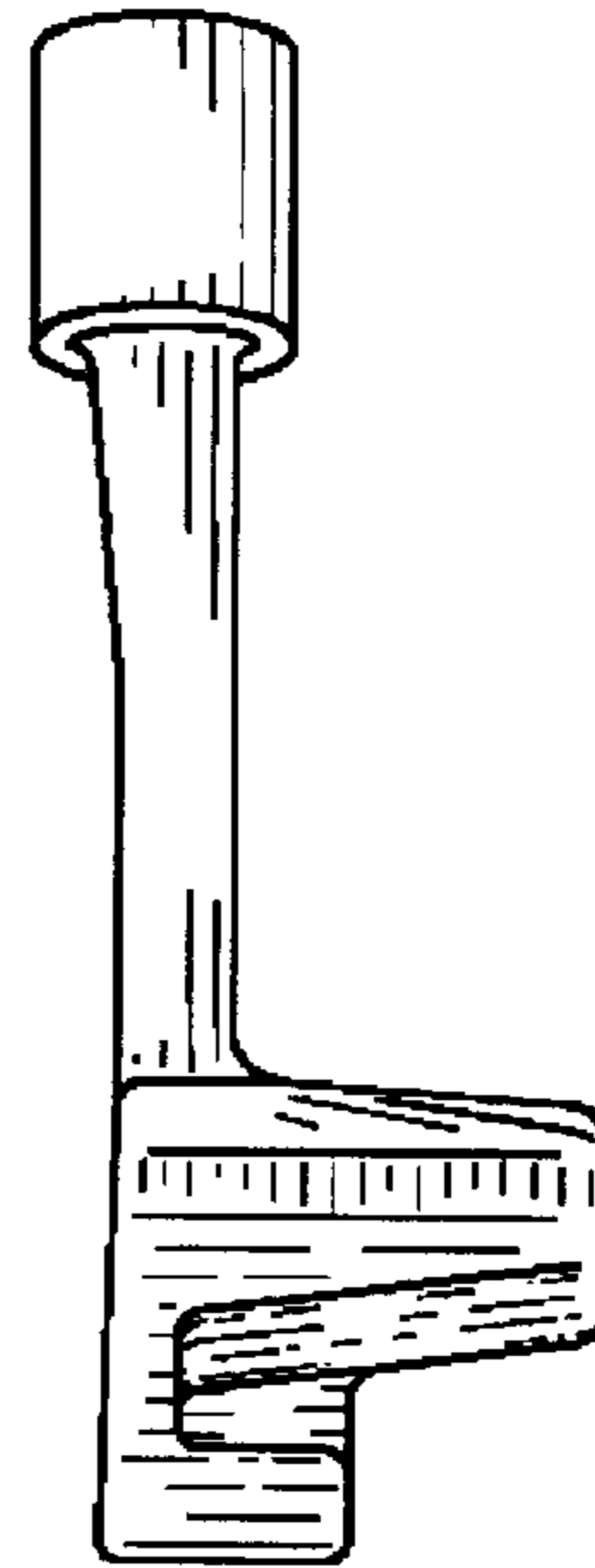


FIG. 5

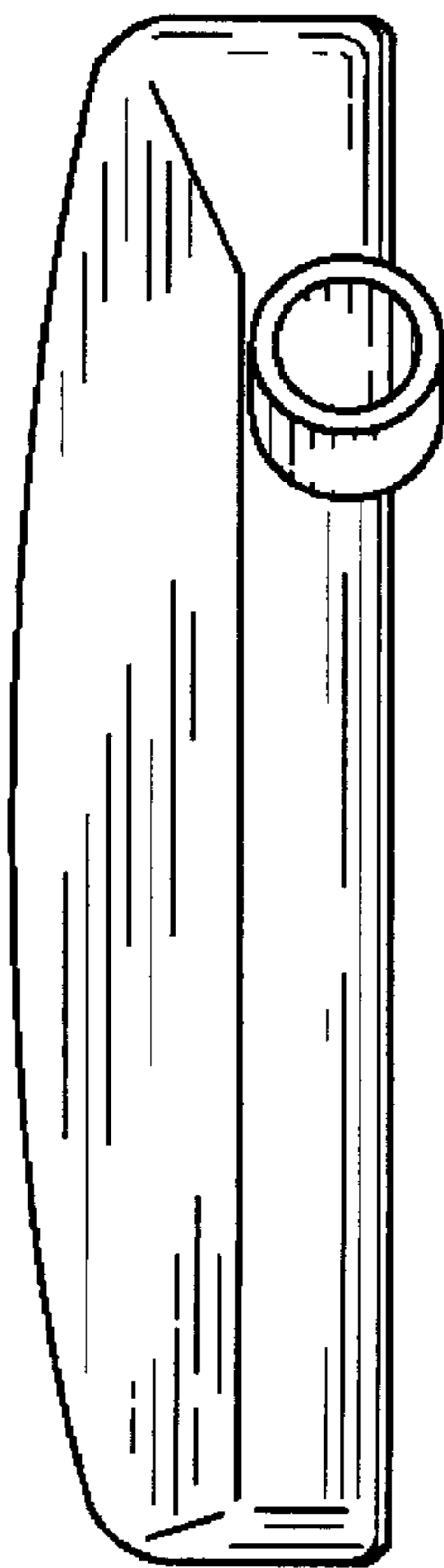


FIG. 6

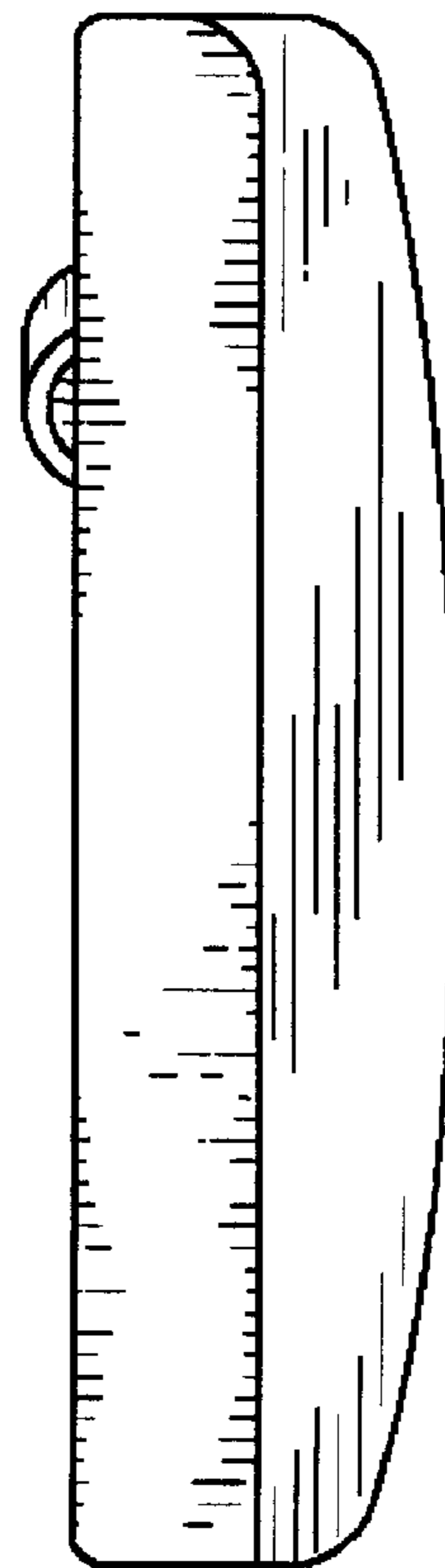


FIG. 7