



US00D518124S

(12) **United States Design Patent**
Fain

(10) **Patent No.:** **US D518,124 S**

(45) **Date of Patent:** **** Mar. 28, 2006**

(54) **PUTTER HEAD**

(76) Inventor: **Michael Fain**, P.O. Box 80861,
Midland, TX (US) 79708

(**) Term: **14 Years**

(21) Appl. No.: **29/213,564**

(22) Filed: **Sep. 20, 2004**

(51) **LOC (8) Cl.** **21-02**

(52) **U.S. Cl.** **D21/736**

(58) **Field of Classification Search** D21/736-746;
473/324-331, 340, 341, 251-256

See application file for complete search history.

6,379,259 B1 * 4/2002 Opie 473/251
D458,979 S 6/2002 Hill et al.
6,464,598 B1 10/2002 Miller
6,464,599 B1 10/2002 Wolf
D494,238 S 8/2004 Fain
D494,646 S 8/2004 Fain
D494,647 S 8/2004 Fain

* cited by examiner

Primary Examiner—Mitchell Siegel

(74) *Attorney, Agent, or Firm*—James E. Hudson, III;
Kenneth A. Keeling; Keeling Hudson L.L.C

(57) **CLAIM**

The ornamental design for a putter head, as shown and described.

(56) **References Cited**

U.S. PATENT DOCUMENTS

2,957,696 A 10/1960 Warpotas
D258,377 S 2/1981 Nordness et al.
4,795,157 A 1/1989 Bencriscutto
5,333,870 A 8/1994 Stevenson, Jr.
5,344,149 A 9/1994 Miller
5,601,500 A 2/1997 Shipley
5,630,766 A 5/1997 Granelli
D393,674 S 4/1998 Rhee
5,928,088 A 7/1999 Matthews
D412,728 S 8/1999 Broadbridge et al.
5,938,538 A 8/1999 Broadbridge et al.
D420,078 S 2/2000 Dawson
D441,041 S * 4/2001 Opie D21/743

DESCRIPTION

FIG. 1 is a declined perspective view of the putter head.

FIG. 2 is a right side view of the putter head.

FIG. 3 is a left side view of the putter head.

FIG. 4 is a front elevation view of the putter head.

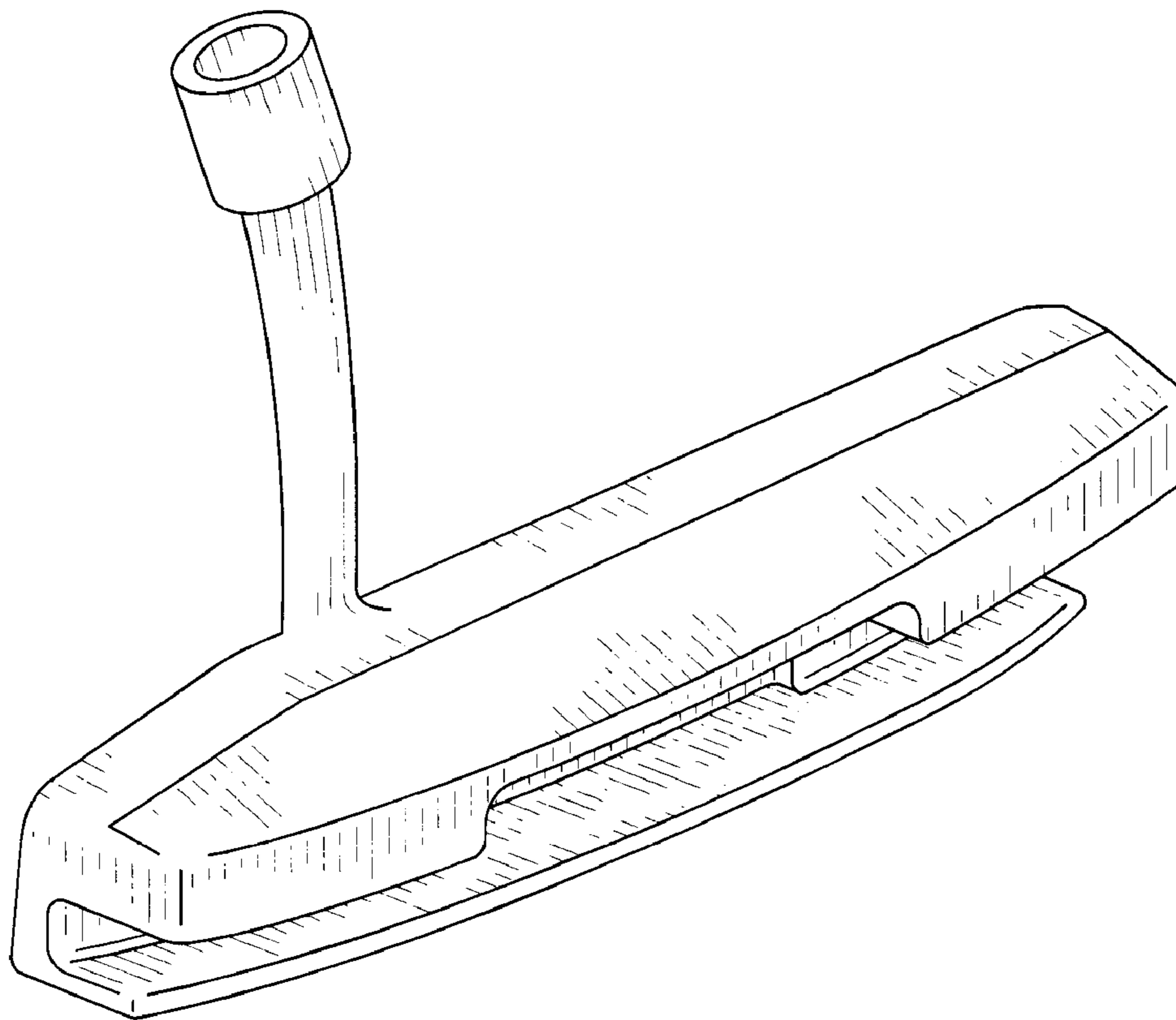
FIG. 5 is a rear elevation view of the putter head.

FIG. 6 is a top view of the putter head; and,

FIG. 7 is a bottom view of the putter head.

A second embodiment of the putter head, in the form of a left-handed putter head would be a mirror (or reverse) image of the putter head shown in FIGS. 1-7.

1 Claim, 3 Drawing Sheets



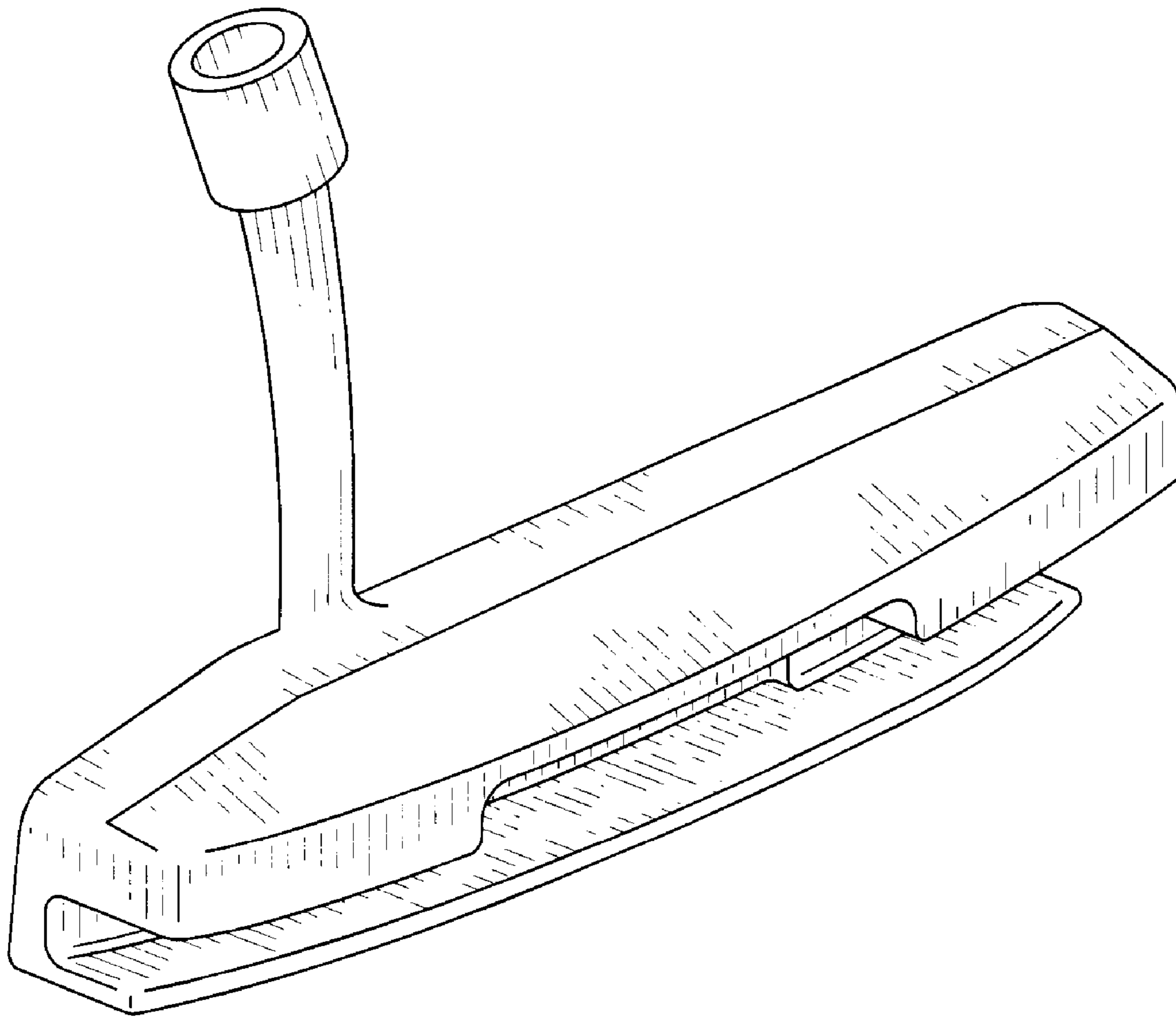


FIG. 1

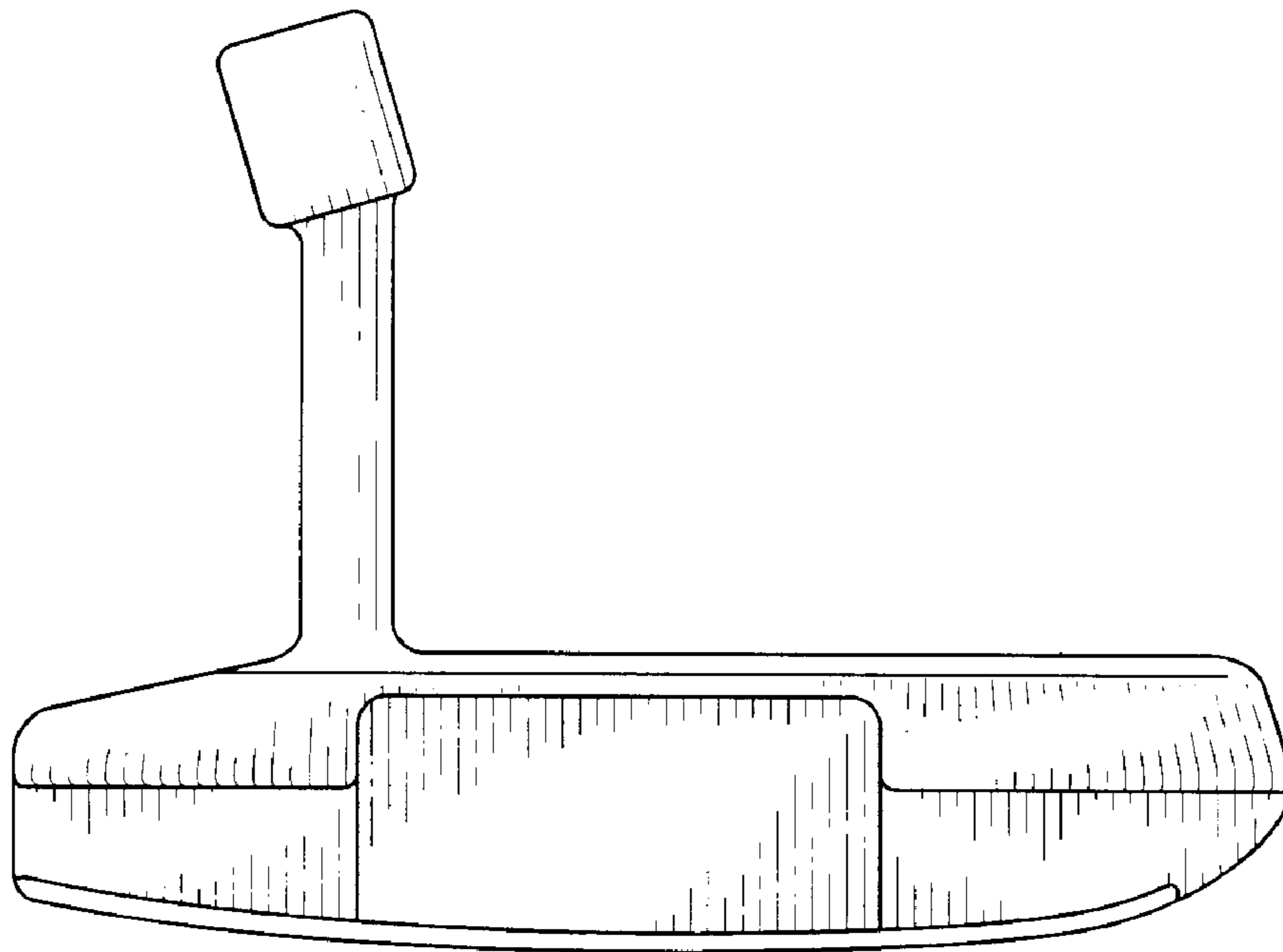


FIG. 2

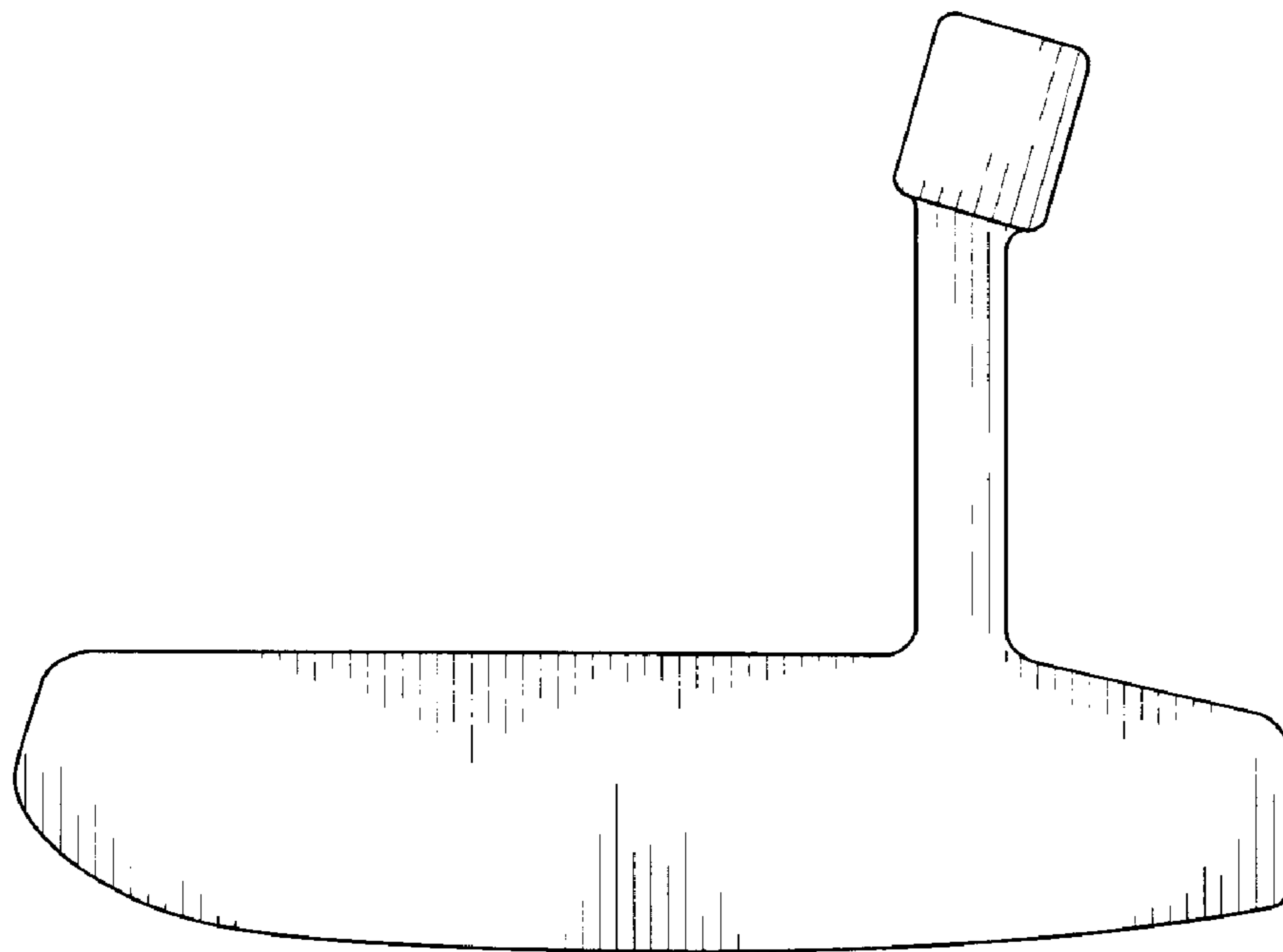


FIG. 3

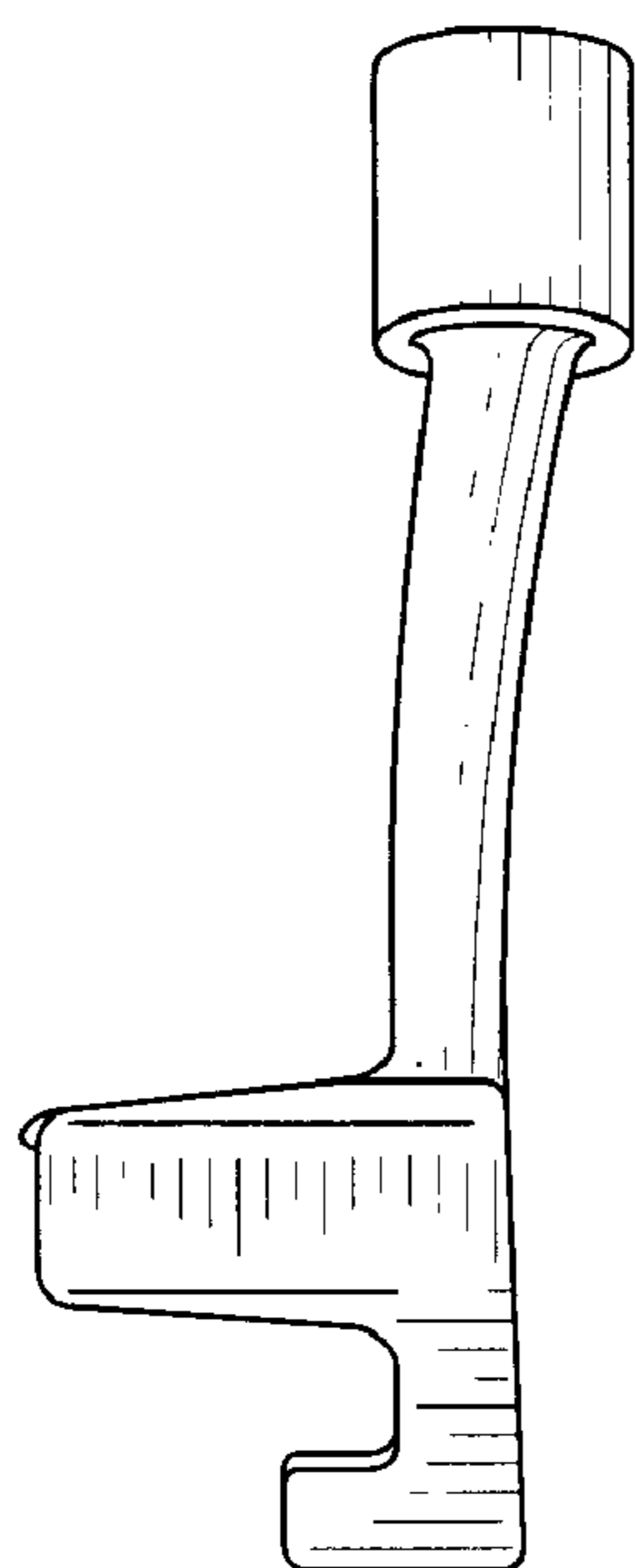


FIG. 4

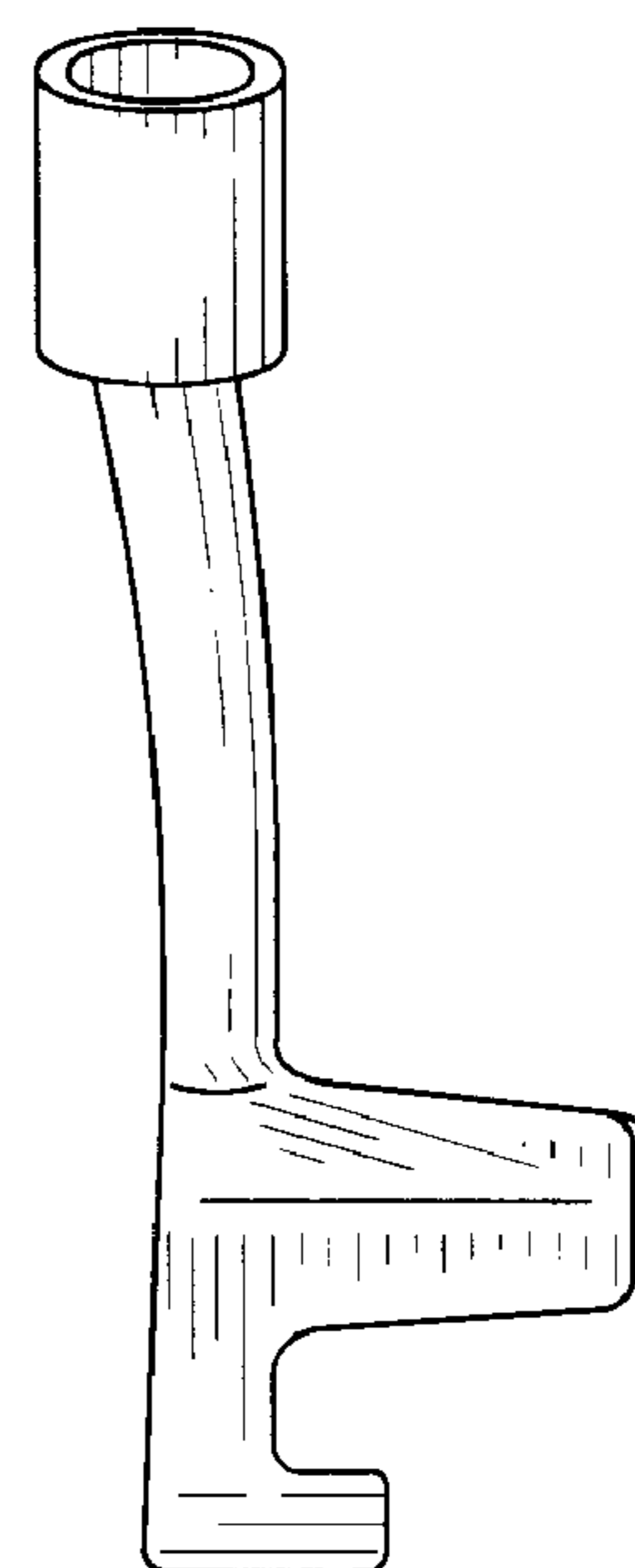


FIG. 5

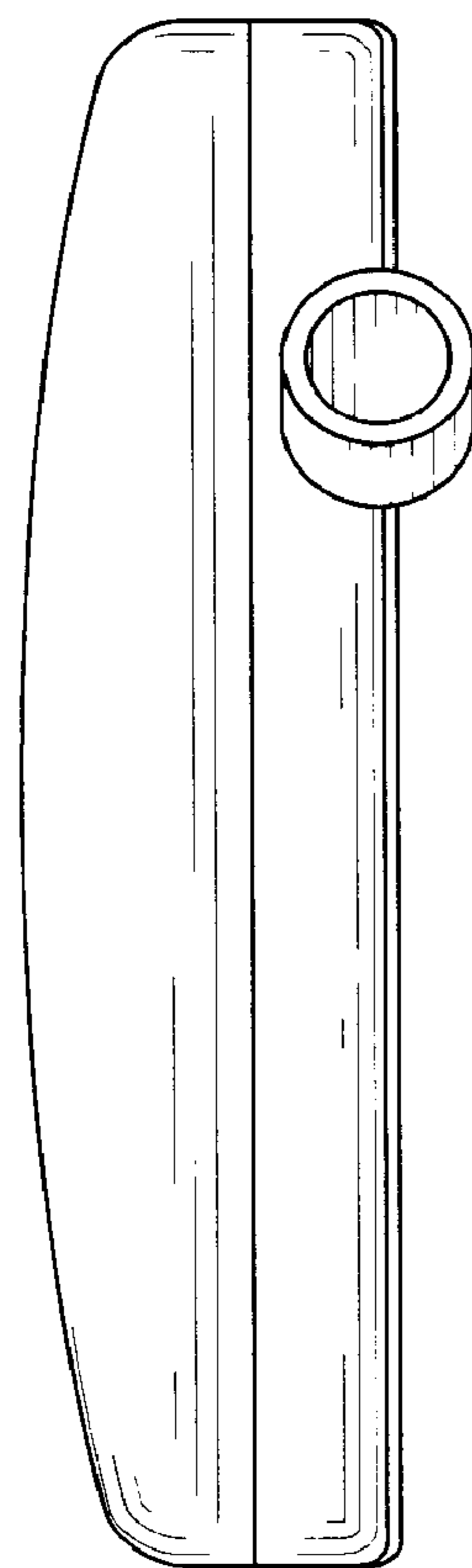


FIG. 6

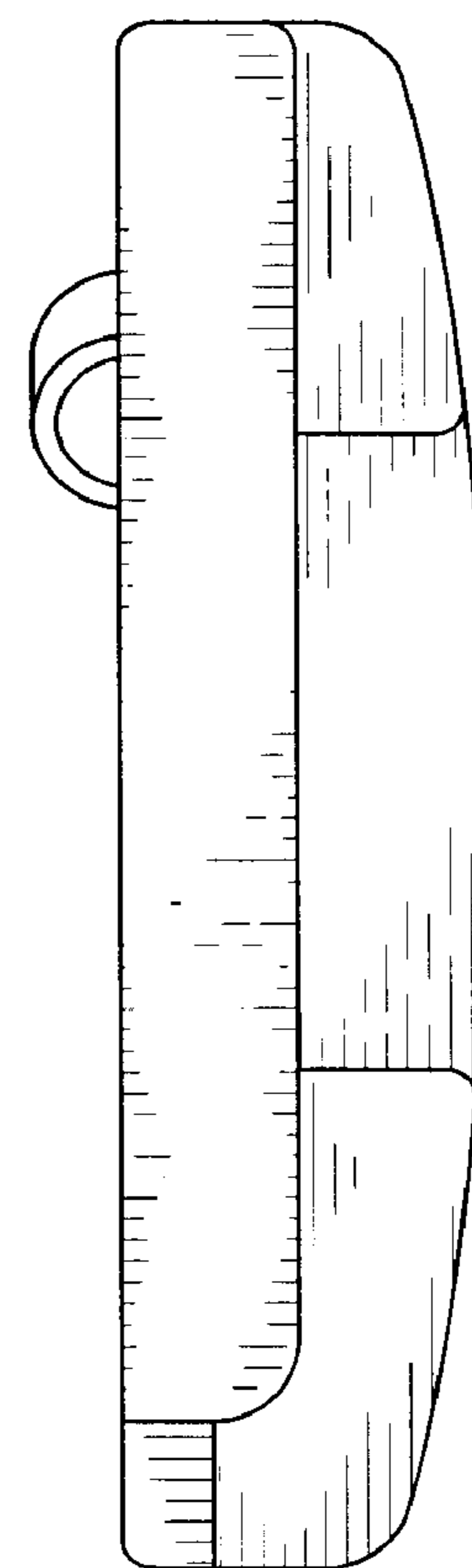


FIG. 7