



US00D518121S

(12) **United States Design Patent**
Panatta

(10) **Patent No.:** **US D518,121 S**

(45) **Date of Patent:** **** Mar. 28, 2006**

(54) **BODY-BUILDING MACHINE**

(76) Inventor: **Rodolfo Panatta**, Via Madonna della Fonte, 2, 62021-Apiro (MC) (IT)

(**) Term: **14 Years**

(21) Appl. No.: **29/198,041**

(22) Filed: **Jan. 23, 2004**

(51) **LOC (8) Cl.** **21-02**

(52) **U.S. Cl.** **D21/676**

(58) **Field of Classification Search** D21/662,
D21/673, 674, 675, 676; 482/93, 94, 95,
482/97, 98, 99, 100, 101, 133, 134, 135,
482/137, 138

See application file for complete search history.

(56) **References Cited**

U.S. PATENT DOCUMENTS

| | | | | | |
|-------------|---|---------|-----------------|-------|---------|
| D321,028 S | * | 10/1991 | Jones | | D21/676 |
| D370,039 S | * | 5/1996 | May et al. | | D21/675 |
| D370,040 S | * | 5/1996 | Habing et al. | | D21/675 |
| D370,950 S | * | 6/1996 | Webber | | D21/676 |
| 5,597,375 A | * | 1/1997 | Simonson | | 482/100 |
| 5,653,669 A | * | 8/1997 | Cheng | | 482/136 |
| 5,665,036 A | * | 9/1997 | Hsieh | | 482/100 |
| 5,733,229 A | * | 3/1998 | Dalebout et al. | | 482/96 |
| 5,733,233 A | * | 3/1998 | Webber | | 482/137 |
| 6,027,433 A | * | 2/2000 | Flynn | | 482/138 |

| | | | | | |
|-----------------|---|--------|------------------|-------|---------|
| D445,853 S | * | 7/2001 | Batca et al. | | D21/675 |
| 6,565,490 B1 | * | 5/2003 | O'Hearn | | 482/102 |
| 2002/0035017 A1 | * | 3/2002 | Pertegaz-Esteban | | 482/192 |

OTHER PUBLICATIONS

Gopher Catalog, Fall 2003, pp. 230 and 240, Power Source Selectorized Machines.*

BSN Sports Catalog, Fall 2002, p. 27, Tricep machine.*

* cited by examiner

Primary Examiner—Philip S. Hyder

(74) *Attorney, Agent, or Firm*—Armstrong, Kratz, Quintos, Hanson & Brooks, LLP

(57) **CLAIM**

I claim the ornamental design for a body-building machine, as shown and described.

DESCRIPTION

FIG. 1 is a front elevational view thereof.

FIG. 2 is a right side elevational view thereof.

FIG. 3 is a left side elevational view thereof.

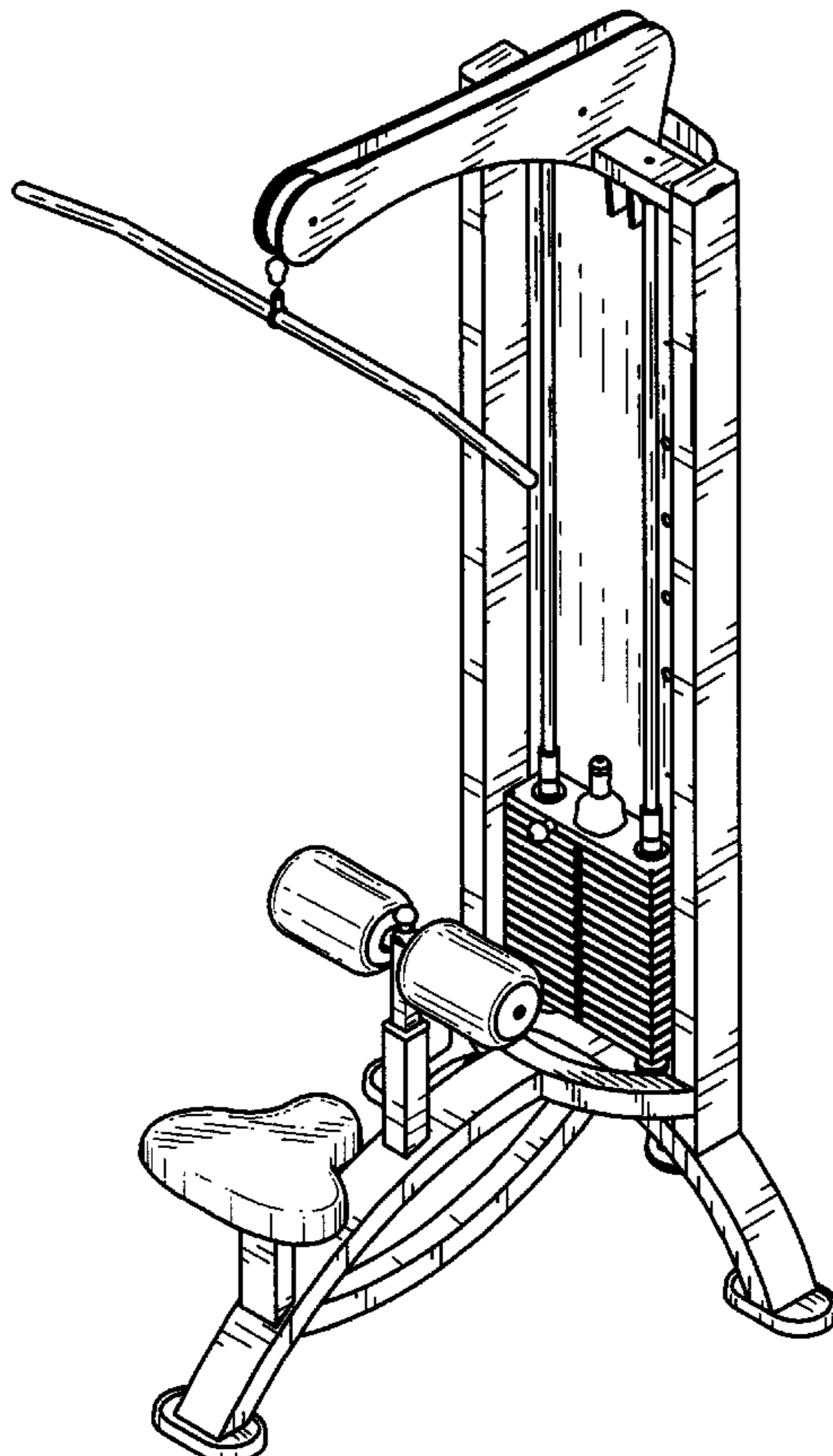
FIG. 4 is a top plan elevational view thereof.

FIG. 5 is a bottom plan elevational view thereof.

FIG. 6 is a rear elevational view thereof; and,

FIG. 7 is a right perspective view of a body-building machine.

1 Claim, 7 Drawing Sheets



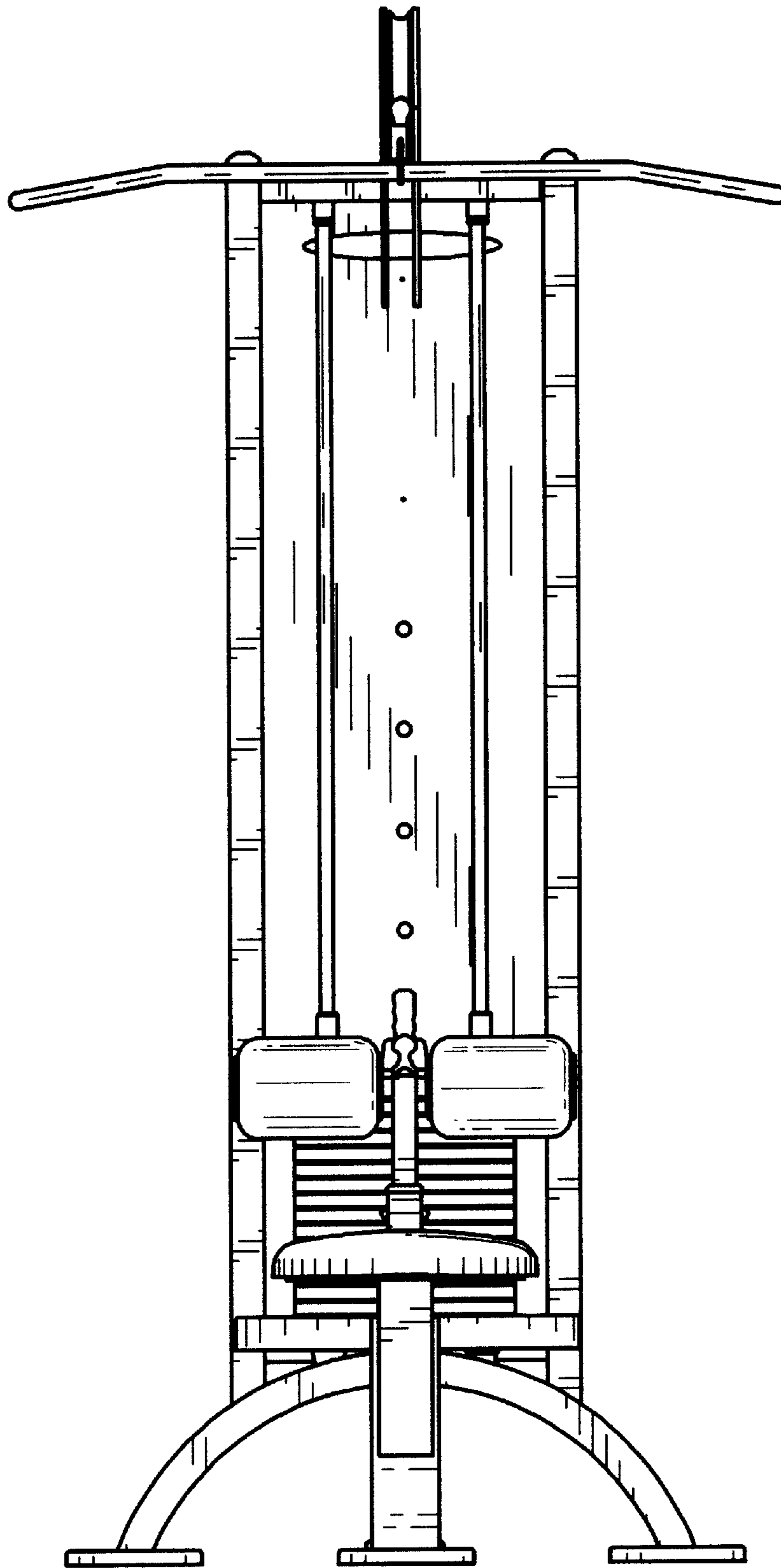


FIG. 1

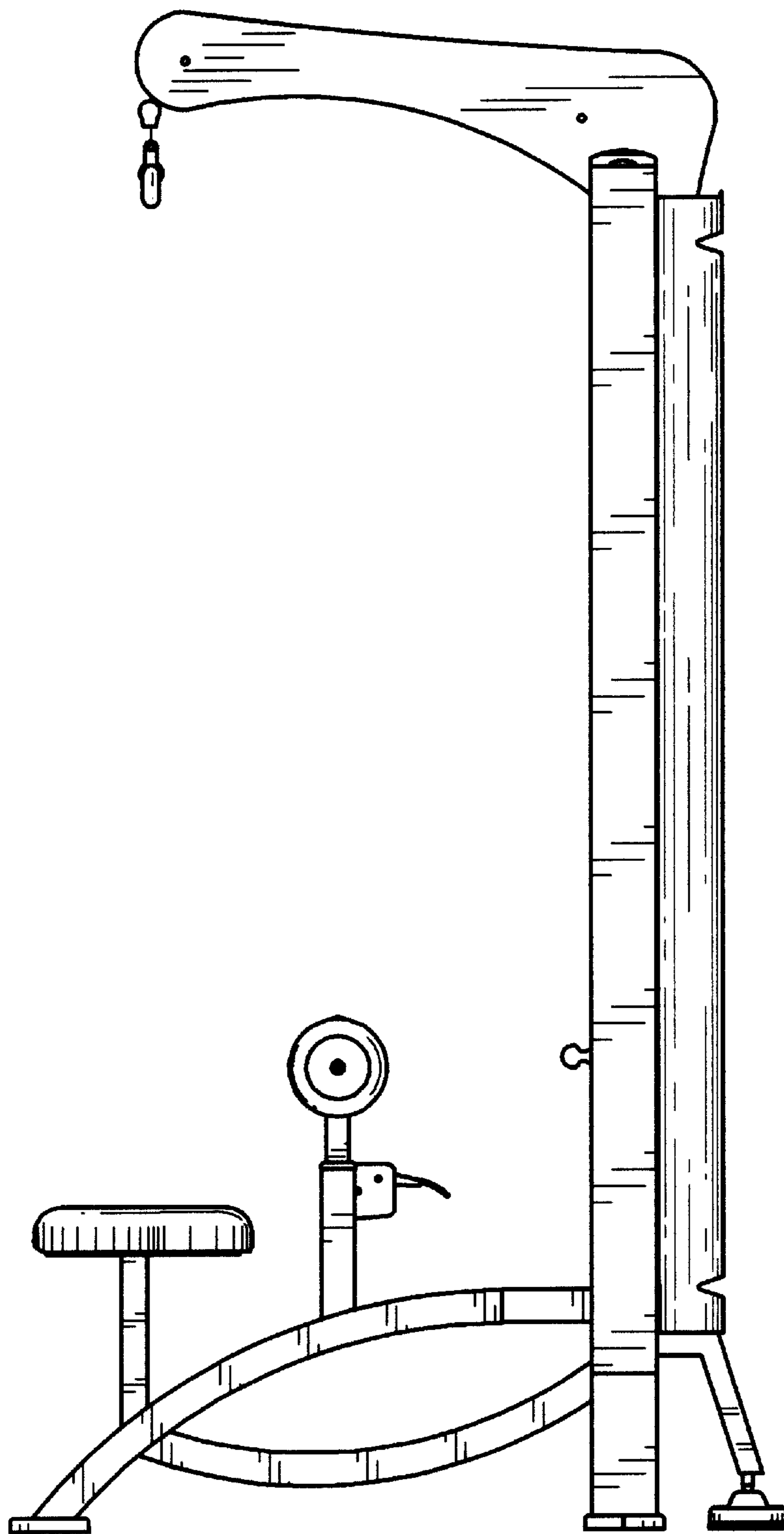


FIG. 2

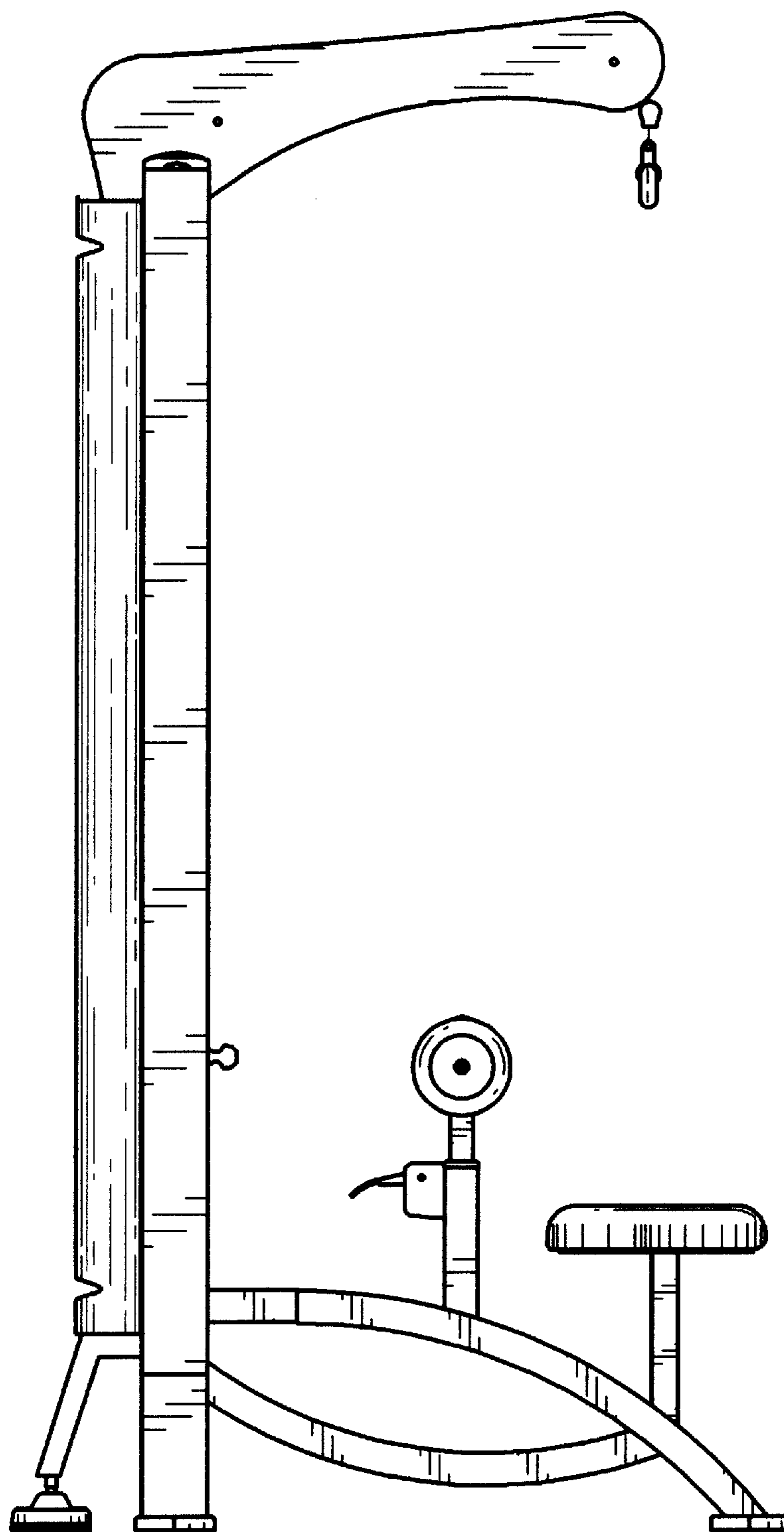


FIG. 3

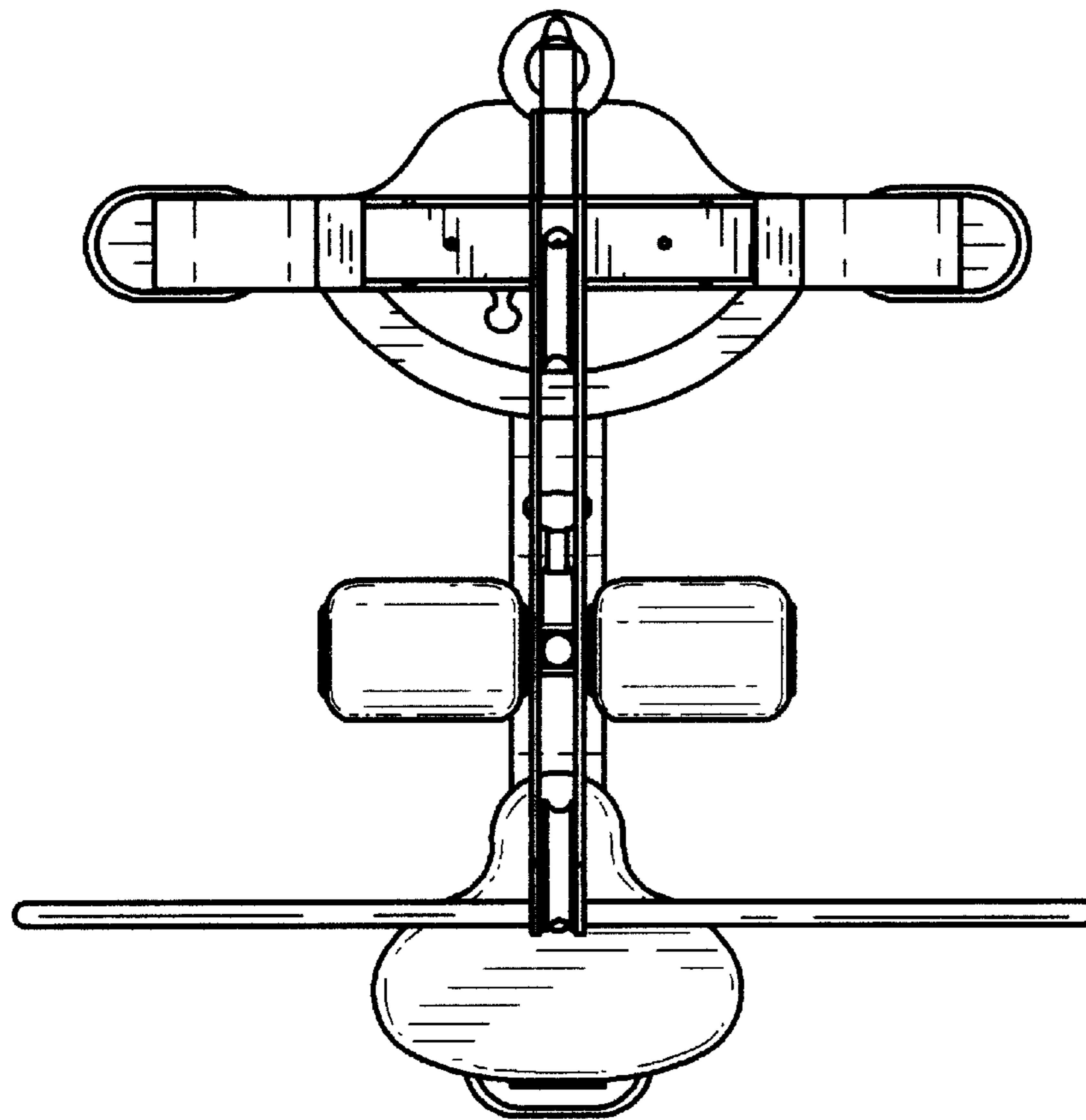


FIG. 4

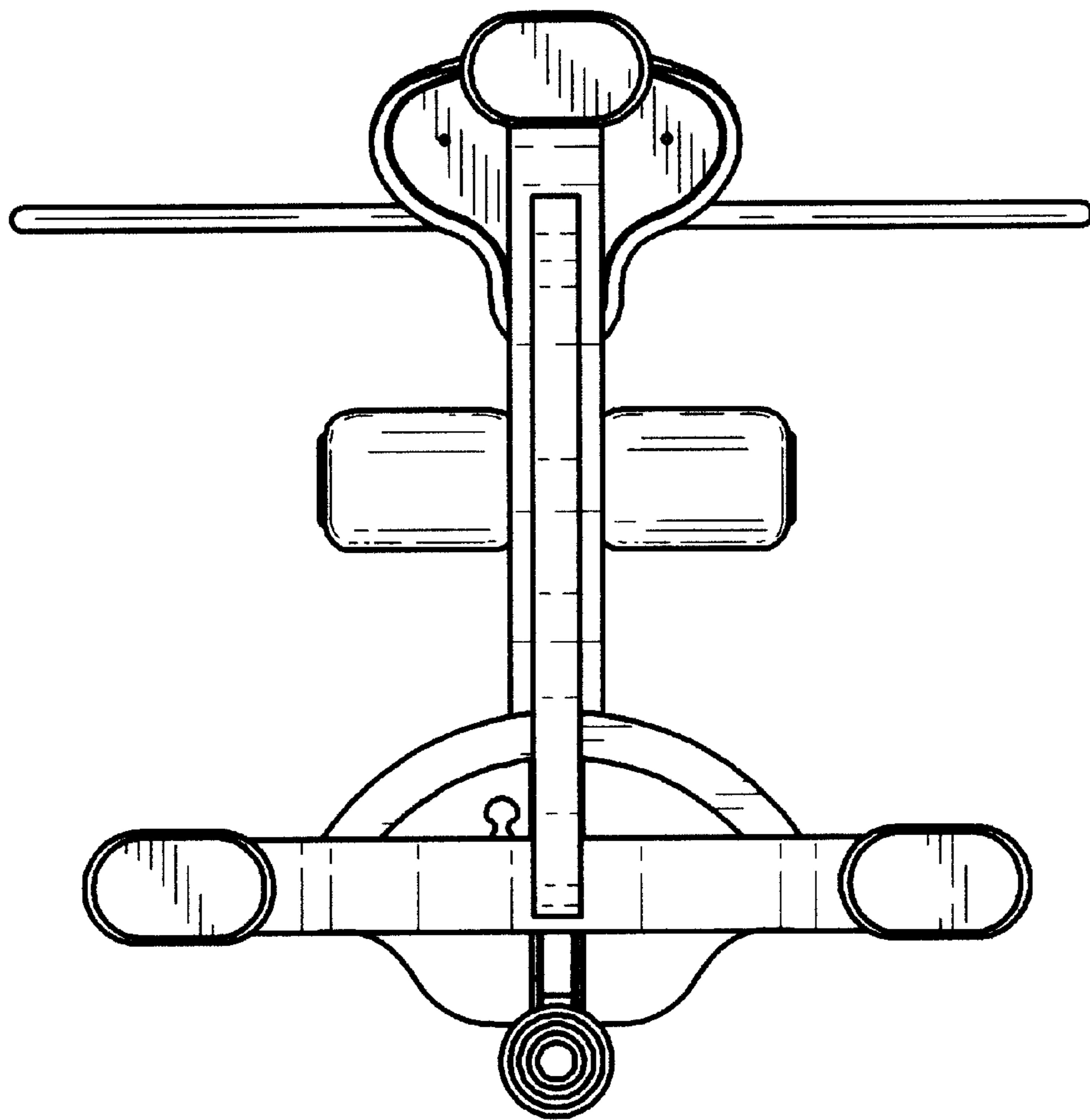


FIG. 5

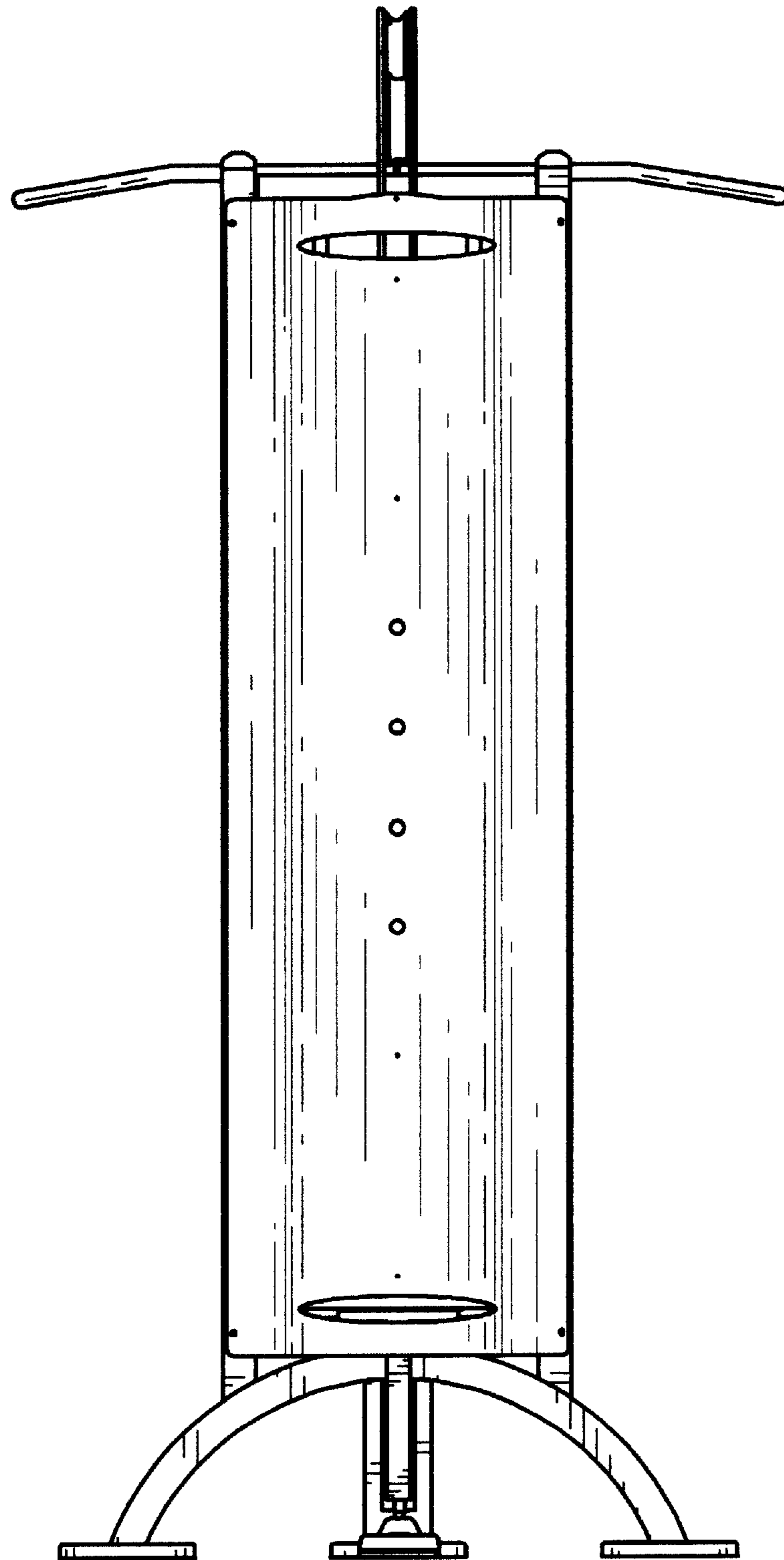


FIG. 6

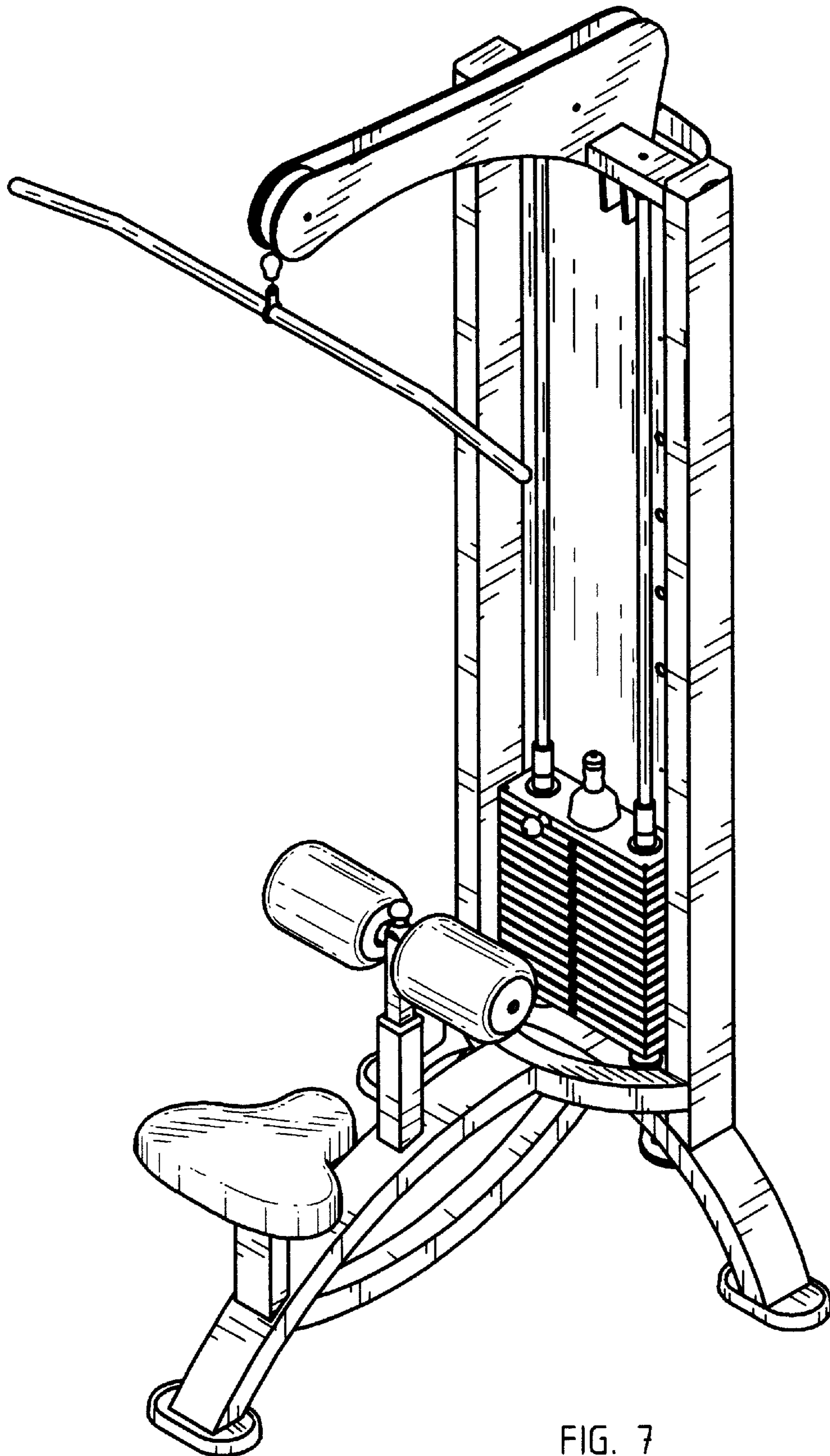


FIG. 7