

US00D518118S

(12) **United States Design Patent** (10) **Patent No.:** **US D518,118 S**
Orr (45) **Date of Patent:** **** Mar. 28, 2006**

(54) **LOOP MARKER MOUNTING BLOCK ADAPTER**
(76) Inventor: **Jeffrey G. Orr**, 3779 Trinity Cir.,
Corona, CA (US) 92881
(**) Term: **14 Years**
(21) Appl. No.: **29/222,691**
(22) Filed: **Feb. 2, 2005**
(51) **LOC (8) Cl.** **21-01**
(52) **U.S. Cl.** **D21/570**
(58) **Field of Classification Search** D21/569,
D21/570, 572-575; D22/100, 101, 103-105,
D22/108-111; 42/98; D8/17, 18, 21, 33;
124/71-77; 89/1.42
See application file for complete search history.

D421,476 S * 3/2000 Knight et al. D22/108
6,035,843 A 3/2000 Smith et al. 124/77
D425,598 S * 5/2000 Langner D22/108
6,065,460 A 5/2000 Lotuaco, III 124/72
D429,791 S * 8/2000 Bullock D22/111
6,138,656 A 10/2000 Rice et al. 124/73
6,260,821 B1 7/2001 Perry et al. 251/314
6,349,711 B1 2/2002 Perry et al. 124/73
D455,192 S * 4/2002 Bullock D22/111
6,439,217 B1 8/2002 Shih 124/77
6,532,949 B1 3/2003 McKendrick 124/77
6,550,468 B1 4/2003 Tippmann, Jr. 124/71
6,553,983 B1 4/2003 Li 124/73
6,626,165 B1 9/2003 Bhogal 124/77
6,637,420 B1 10/2003 Moritz 124/73
6,658,982 B1 12/2003 Cherry 89/1.42
6,763,822 B1 7/2004 Styles 124/77
6,802,306 B1 10/2004 Rice 124/74
2003/0178018 A1 9/2003 Cherry 124/76
2004/0011344 A1 1/2004 Rice et al. 124/73

* cited by examiner

(56) **References Cited**

U.S. PATENT DOCUMENTS

D118,863 S * 2/1940 Mossber D22/108
D139,878 S * 1/1945 French et al. D22/108
D146,089 S * 12/1946 Roe D22/108
2,550,887 A 5/1951 Tratsch 124/1
3,695,246 A 10/1972 Filippi et al. 124/11
4,066,000 A 1/1978 Rostocil 89/198
4,347,679 A 9/1982 Grunig et al. 42/84
4,362,145 A 12/1982 Stelcher 124/32
D277,635 S * 2/1985 Sherwood D8/18
D278,201 S * 4/1985 Koepke D8/17
4,589,327 A 5/1986 Smith 89/148
4,770,153 A 9/1988 Edelman 124/72
4,899,717 A 2/1990 Rutten et al. 124/67
5,063,905 A 11/1991 Farrell 124/72
5,078,118 A 1/1992 Perrone 124/74
5,149,898 A 9/1992 Chesnut et al. 42/69.01
5,280,778 A 1/1994 Kotsiopoulos 124/73
5,285,593 A * 2/1994 Bammate 42/98
5,462,042 A 10/1995 Grenwell 124/76
5,503,137 A 4/1996 Fusco 124/72
D390,302 S * 2/1998 Bullock D22/108
5,736,720 A 4/1998 Bell et al. 235/1
5,881,707 A 3/1999 Gardner, Jr. 124/77
6,003,504 A 12/1999 Rice et al. 124/73

Primary Examiner—Holly Baynham
Assistant Examiner—Cynthia M. Chin
(74) *Attorney, Agent, or Firm*—Keisling Pieper & Scott
PLC; David B. Pieper; Trent C. Keisling

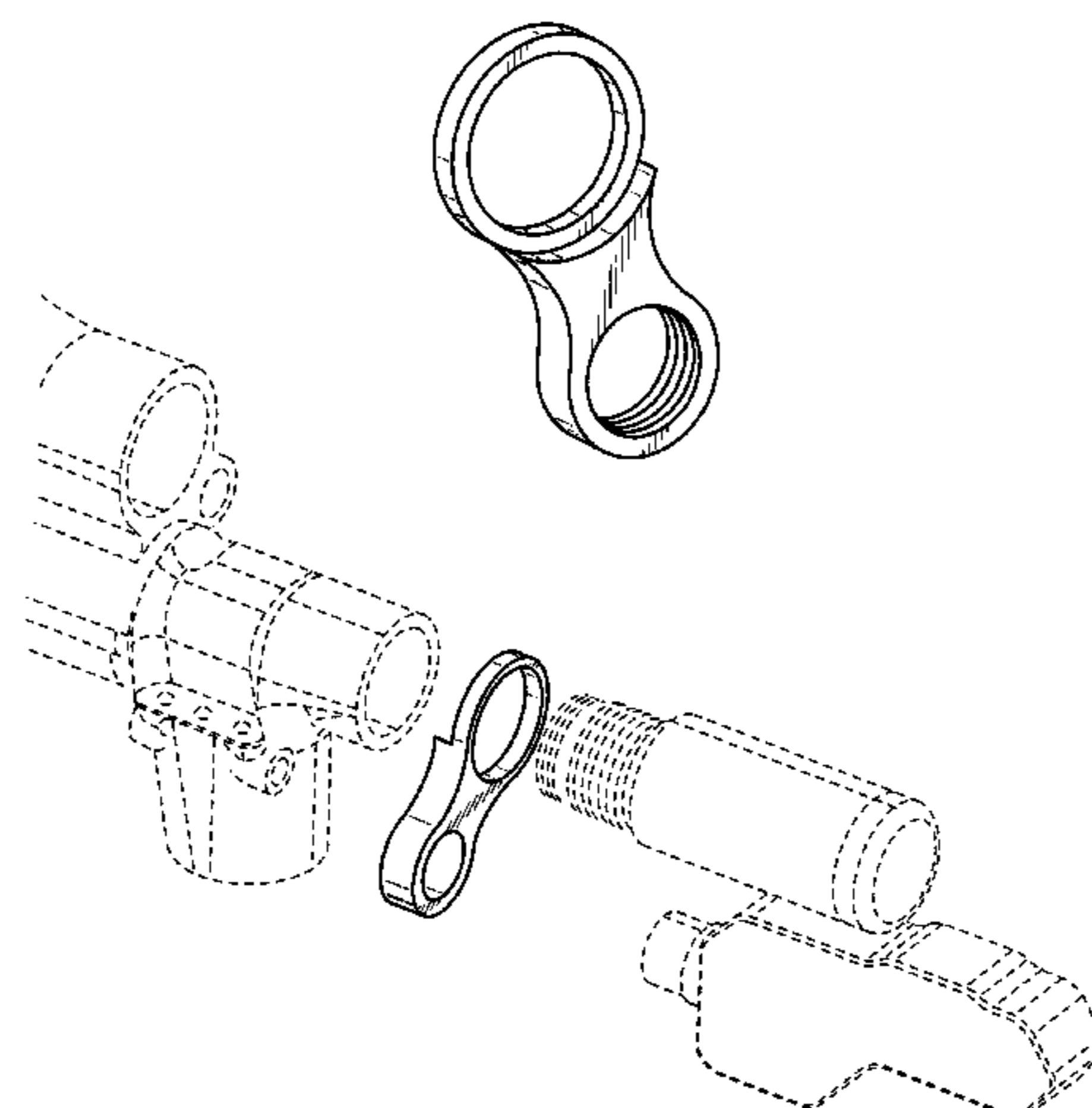
(57) **CLAIM**

The ornamental design for a loop marker mounting block adapter, as shown and described.

DESCRIPTION

FIG. 1 is a top elevational view of a loop marker mounting block adapter showing my new design;
FIG. 2 is a left elevational view thereof;
FIG. 3 is a front elevational view thereof;
FIG. 4 is a bottom side elevational view thereof;
FIG. 5 is a right elevational view thereof;
FIG. 6 is a back elevational view thereof;
FIG. 7 is a top-left-front isometric elevational view thereof;
and,
FIG. 8 is an exploded environmental view thereof with the environment shown in dashed lines.
The broken lines are for illustrative purposes only and form no part of the claimed design.

1 Claim, 2 Drawing Sheets



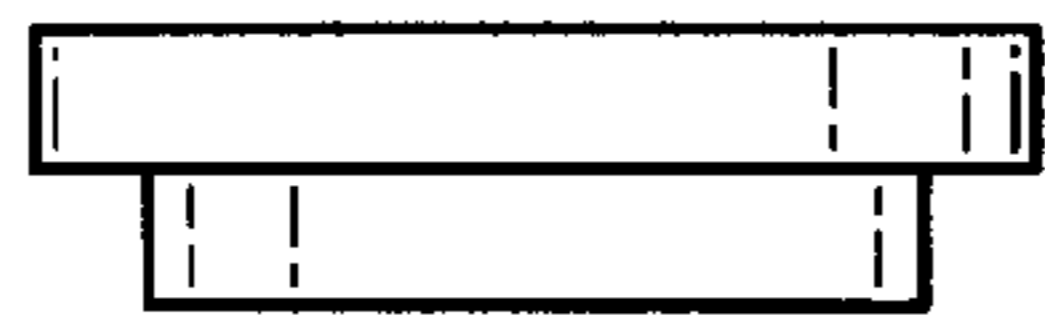


FIG. 1



FIG. 2

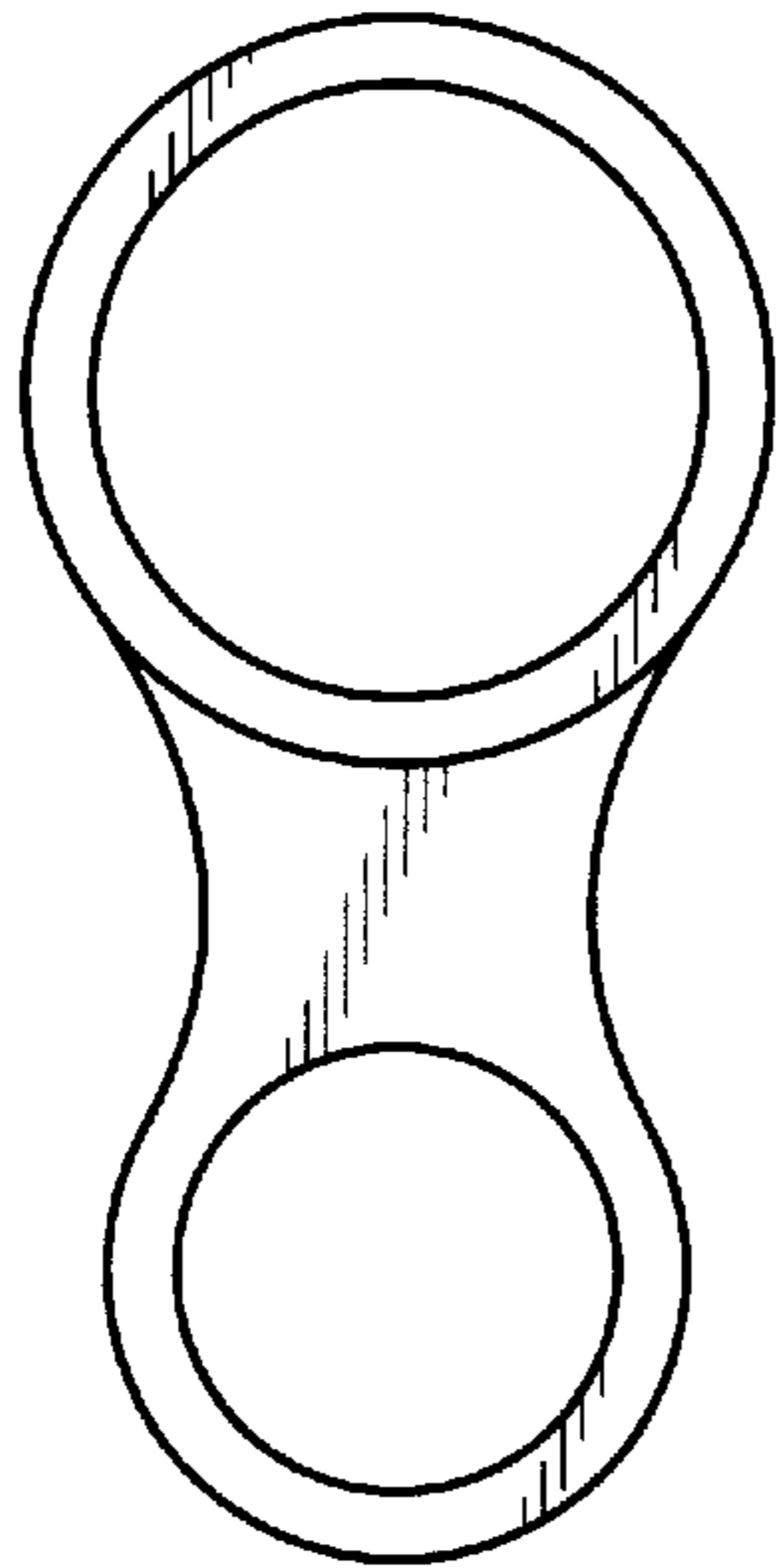


FIG. 3

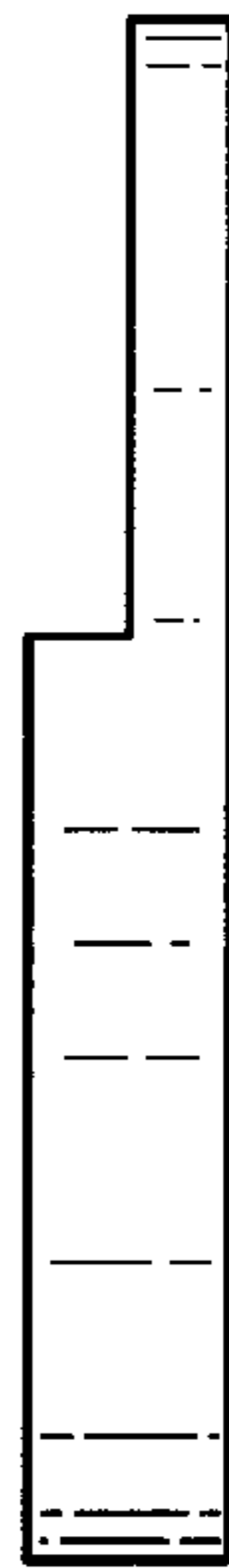


FIG. 5

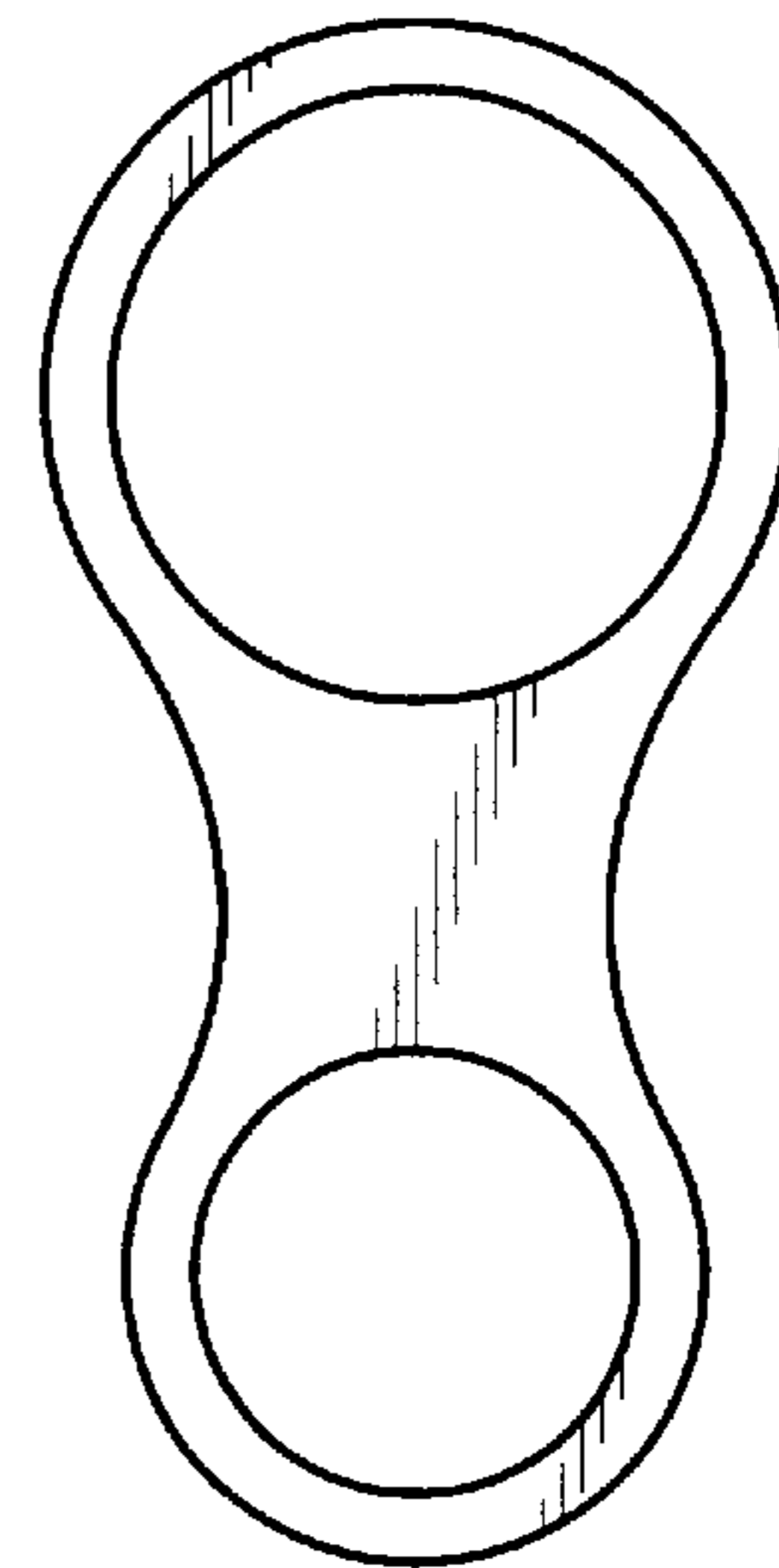


FIG. 6



FIG. 4

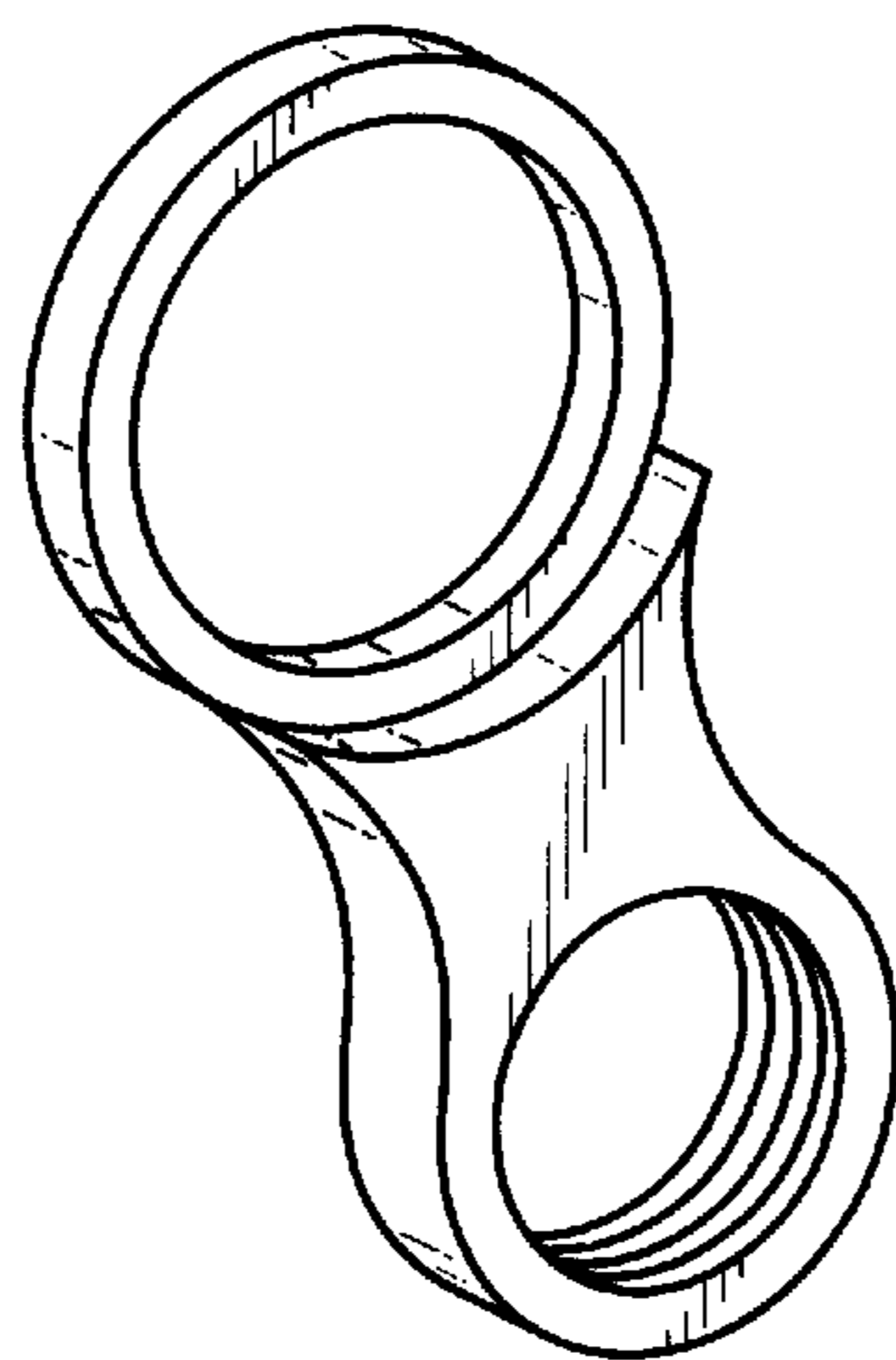


FIG. 7

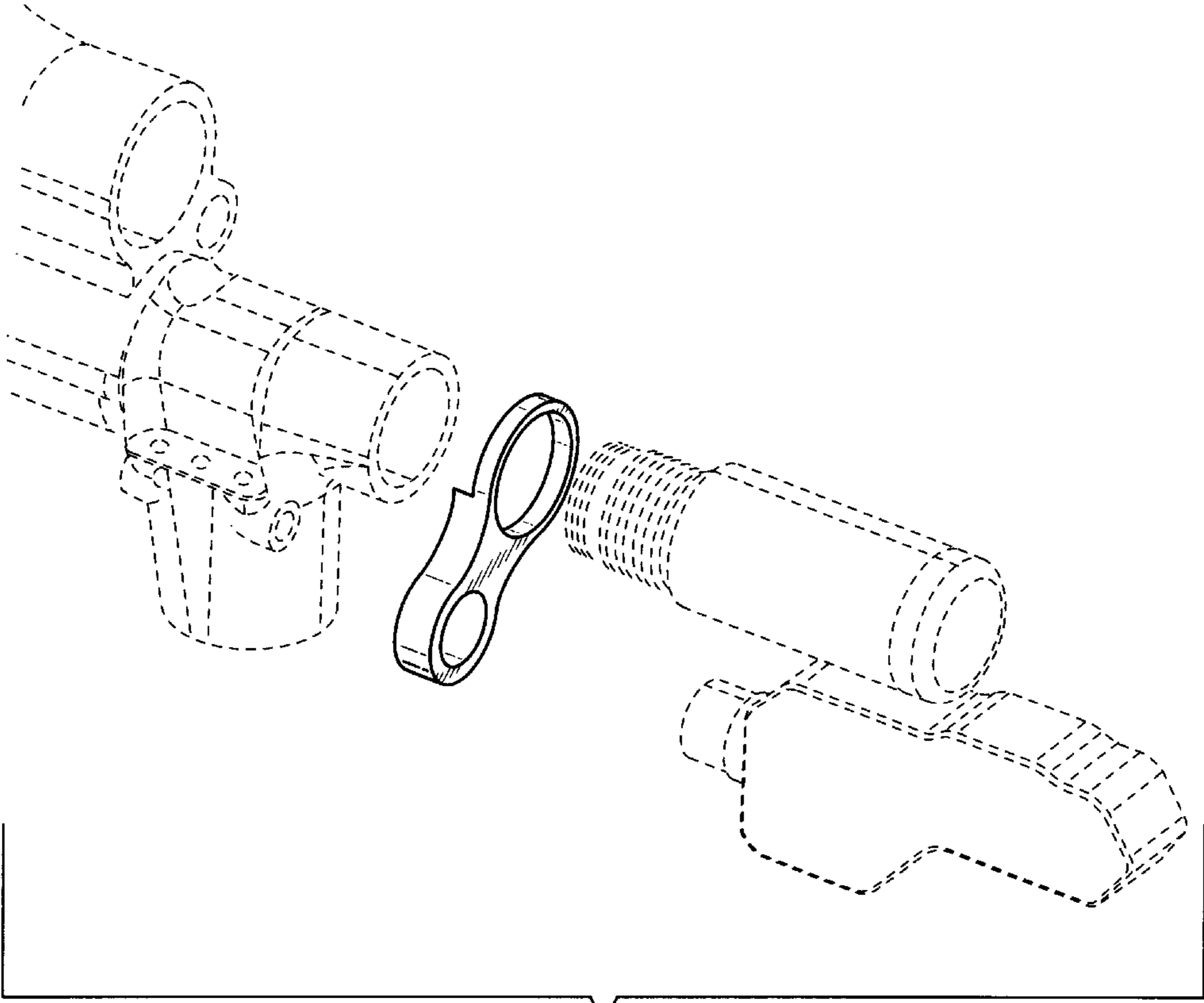


FIG. 8