

US00D518117S

(12) **United States Design Patent**
Takahashi et al.

(10) **Patent No.:** **US D518,117 S**

(45) **Date of Patent:** **** Mar. 28, 2006**

(54) **REMOTE CONTROL**

(75) Inventors: **Hiroshi Takahashi**, Tokyo (JP); **Tooru Yamamoto**, Tokyo (JP)

(73) Assignee: **Nikko Co. Ltd.**, Tokyo (JP)

(**) Term: **14 Years**

(21) Appl. No.: **29/224,903**

(22) Filed: **Mar. 9, 2005**

(30) **Foreign Application Priority Data**

Dec. 24, 2004 (JP) 2004-039685

(51) **LOC (8) Cl.** **21-01**

(52) **U.S. Cl.** **D21/566**

(58) **Field of Classification Search** D21/266,
D21/324, 331, 333; D14/400, 401, 217, 218;
446/454-456; 463/6, 7, 37-39, 46, 47; D13/168
See application file for complete search history.

(56) **References Cited**

U.S. PATENT DOCUMENTS

4,552,360	A	*	11/1985	Bromley et al.	463/38
D283,718	S	*	5/1986	Kondo	D21/566
D302,446	S	*	7/1989	Cheng	D21/566
D313,439	S	*	1/1991	Kohno	D21/566
5,158,495	A	*	10/1992	Yonezawa	446/456
D389,529	S	*	1/1998	Hayami	D14/401

D390,613	S	*	2/1998	Kanetsuna et al.	D21/566
D411,265	S	*	6/1999	Kanetsuna et al.	D21/566
6,342,010	B1	*	1/2002	Slifer	463/39
D478,638	S	*	8/2003	Mukaida	D21/566
D480,117	S	*	9/2003	Mukaida	D21/566
D502,968	S	*	3/2005	Takahashi et al.	D21/566
6,893,320	B1	*	5/2005	Caiozza	446/456

* cited by examiner

Primary Examiner—Holly Baynham

Assistant Examiner—Cynthia M. Chin

(74) *Attorney, Agent, or Firm*—Young & Thompson

(57) **CLAIM**

The ornamental design for a remote control, as shown.

DESCRIPTION

FIG. 1 is a top, front and side perspective view of a remote control showing our new design;

FIG. 2 is a top, rear and side perspective view thereof;

FIG. 3 is a front elevational view thereof;

FIG. 4 is a side elevational view thereof from the left of FIG. 3;

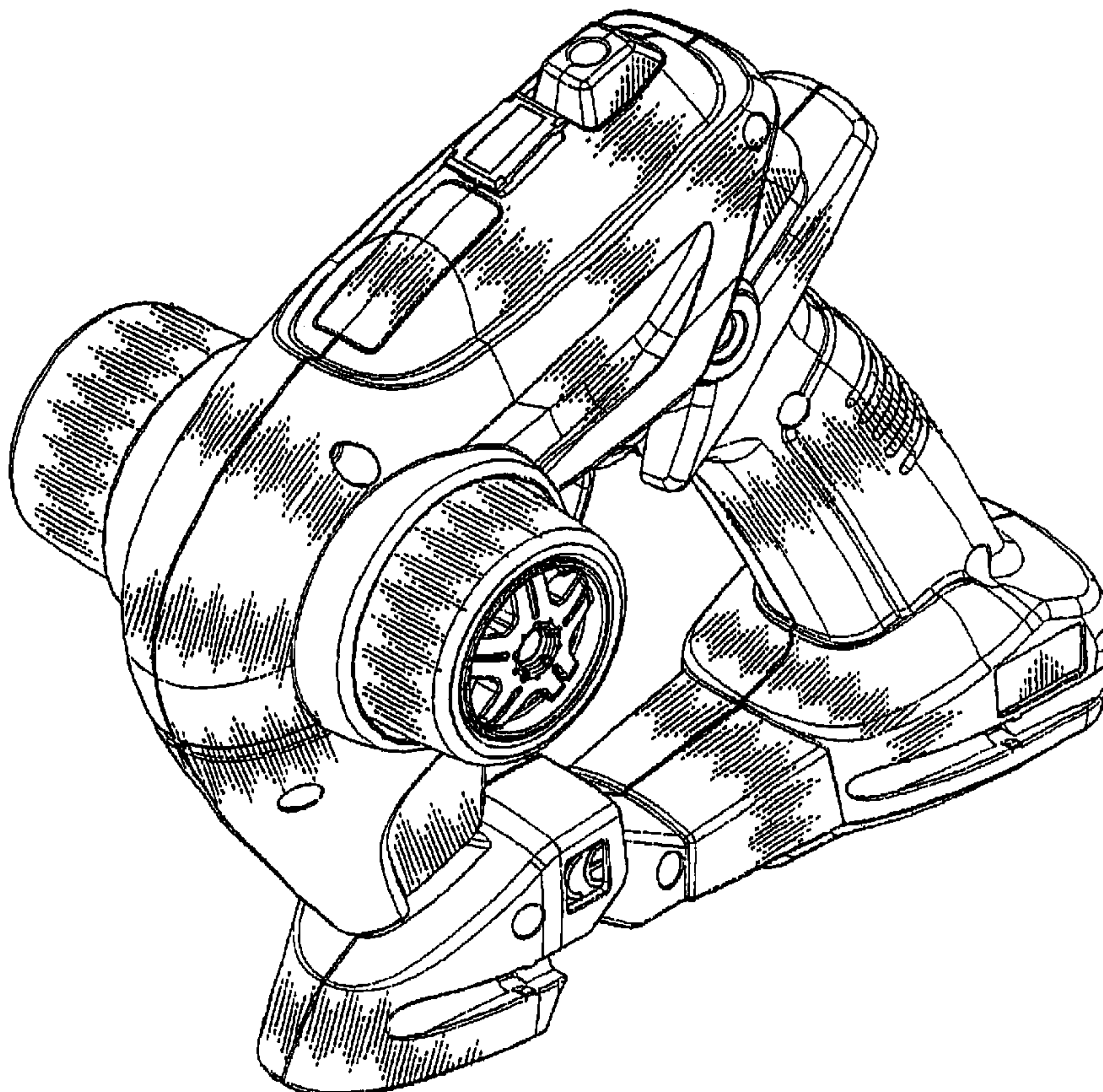
FIG. 5 is a side elevational view thereof from the right of FIG. 3;

FIG. 6 is a rear elevational view thereof;

FIG. 7 is a top plan view thereof; and,

FIG. 8 is a bottom plan view thereof.

1 Claim, 8 Drawing Sheets



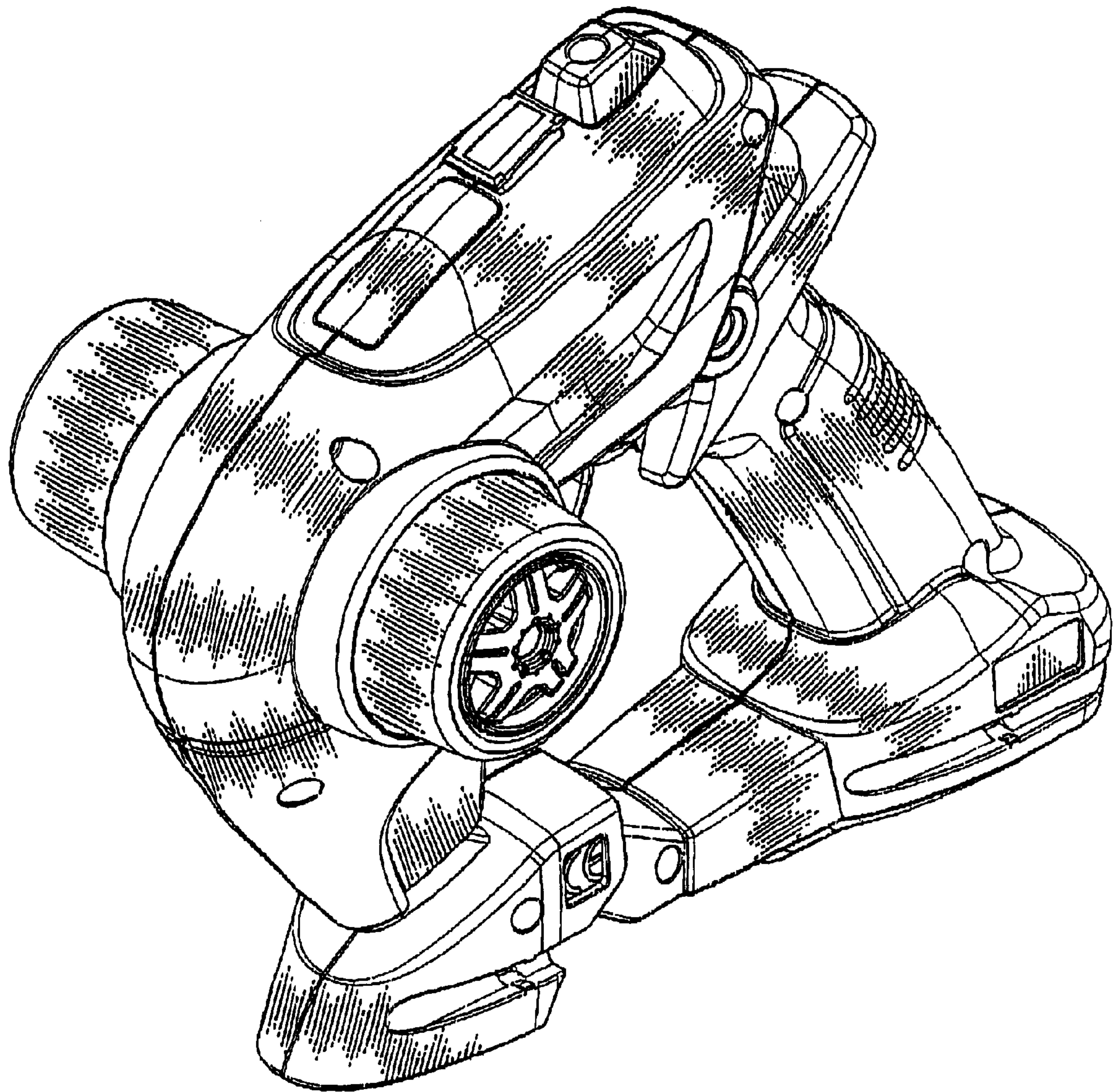


Fig. 1

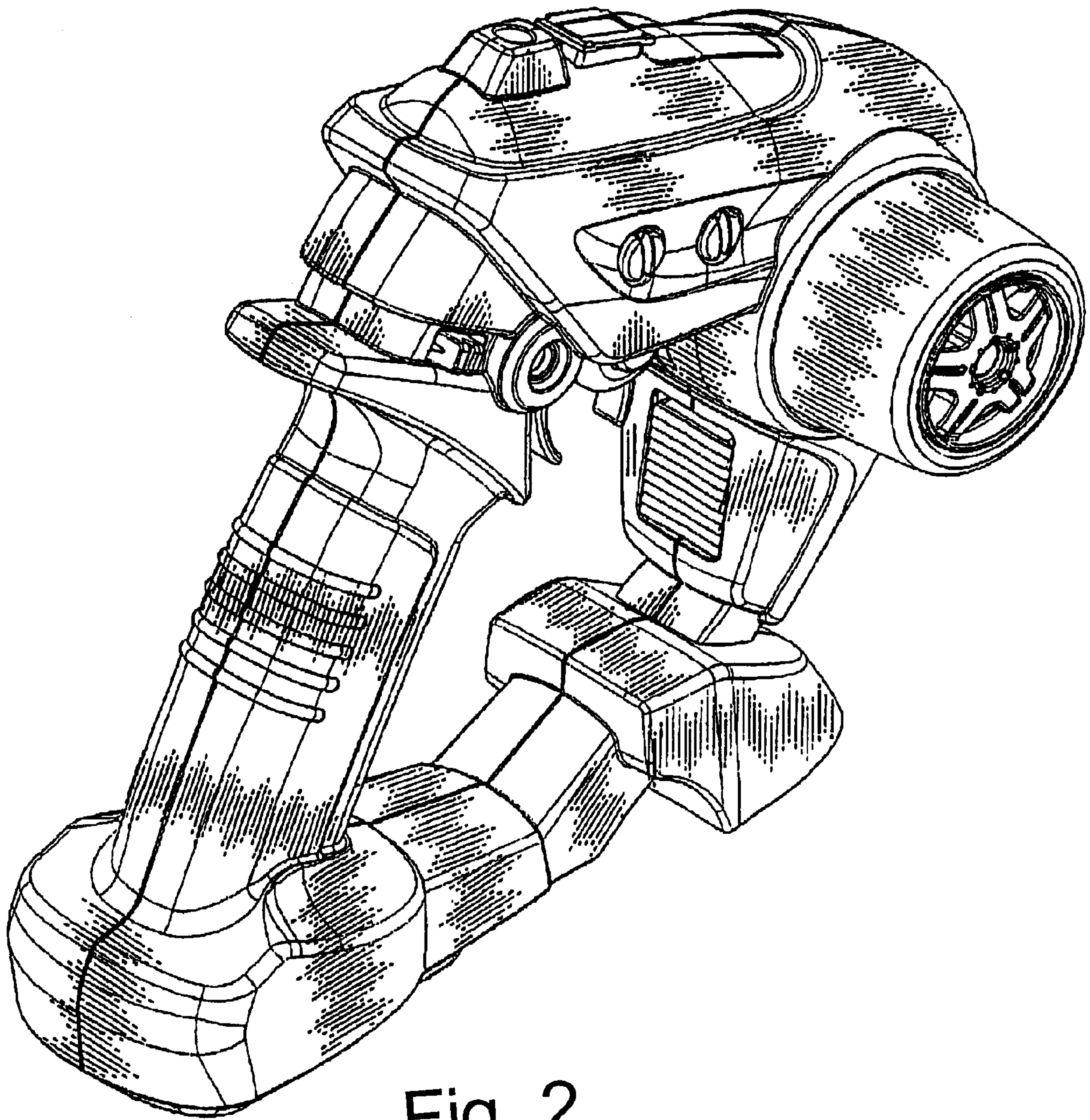


Fig. 2

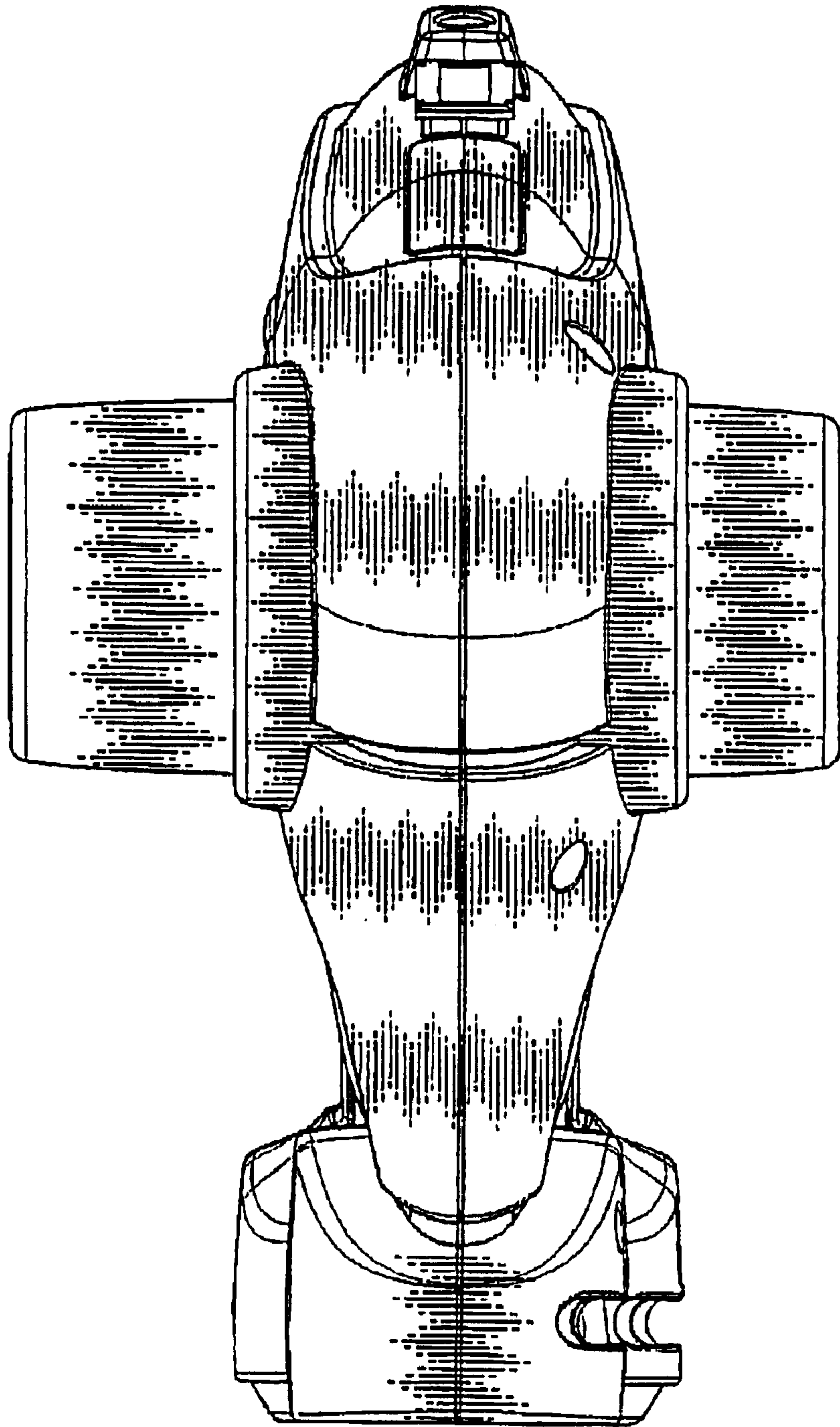


Fig. 3

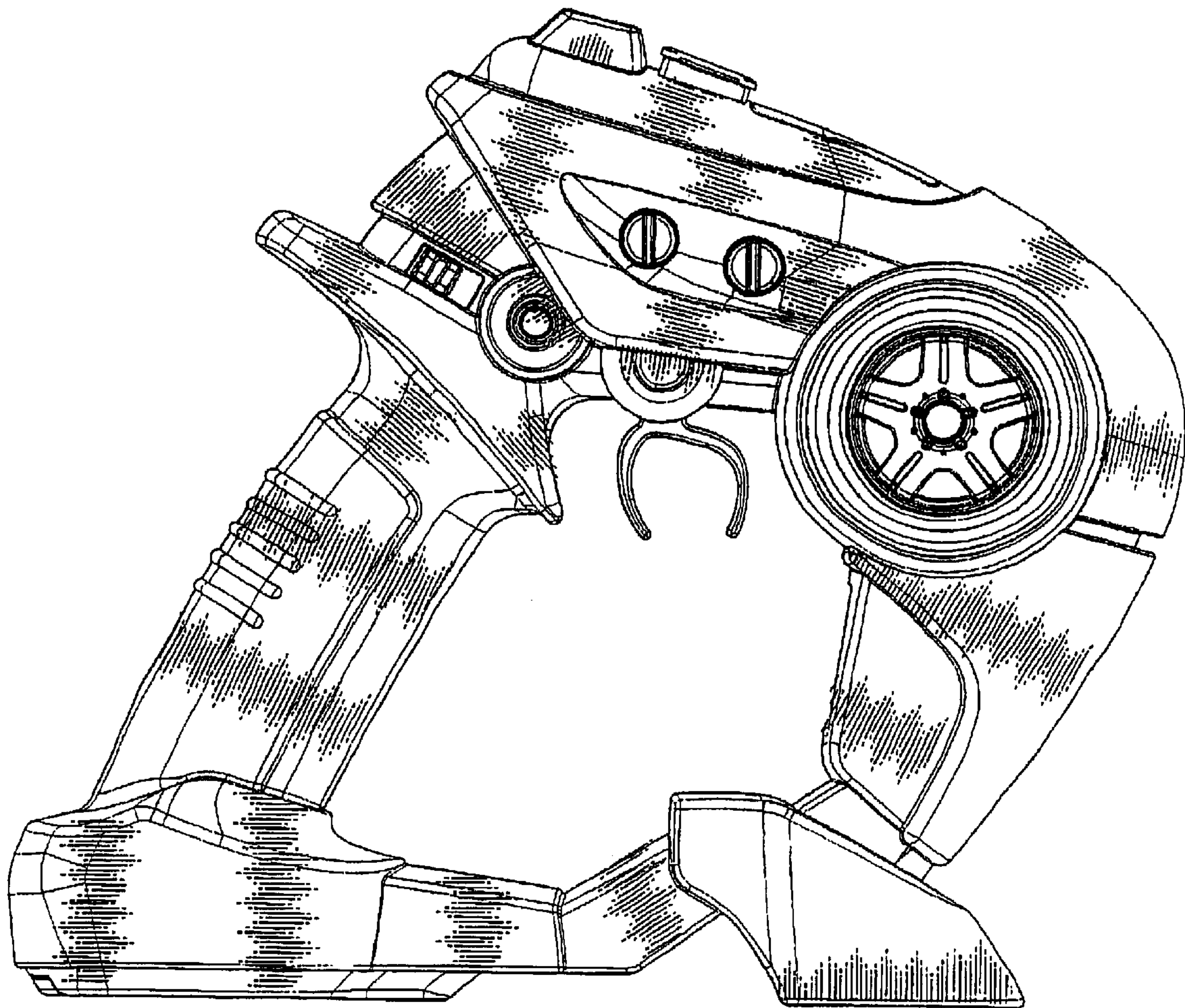


Fig. 4

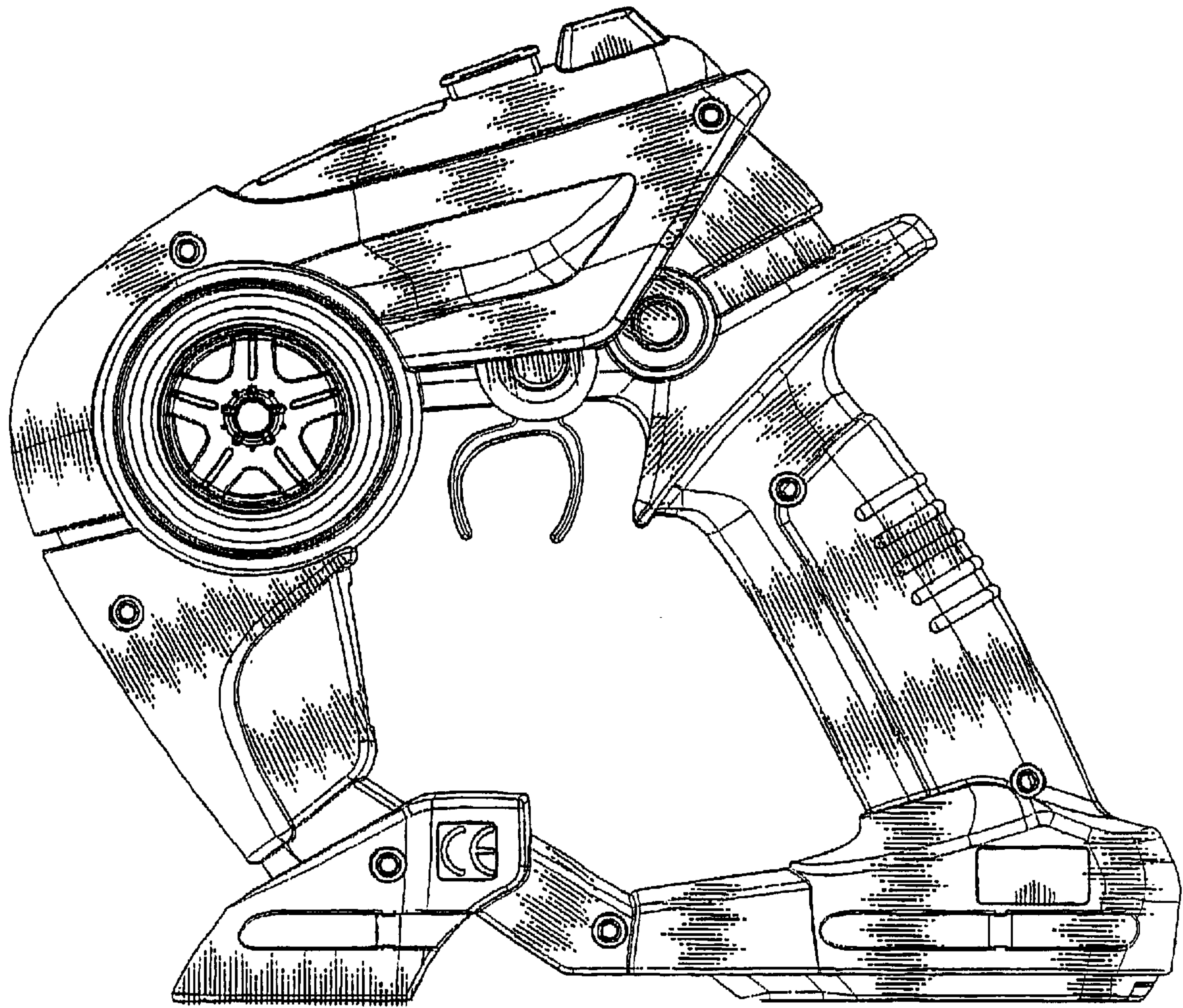


Fig. 5

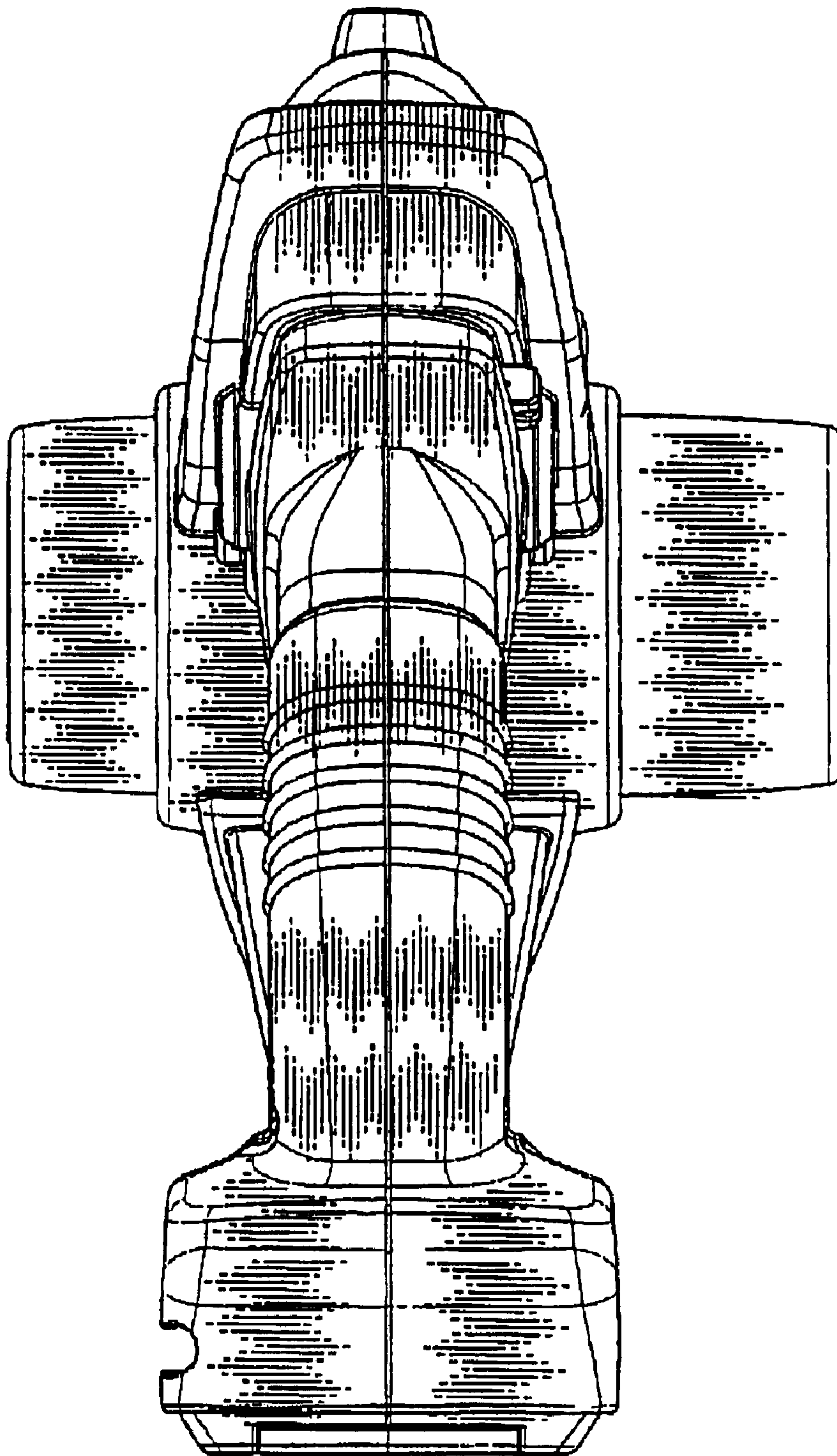


Fig. 6

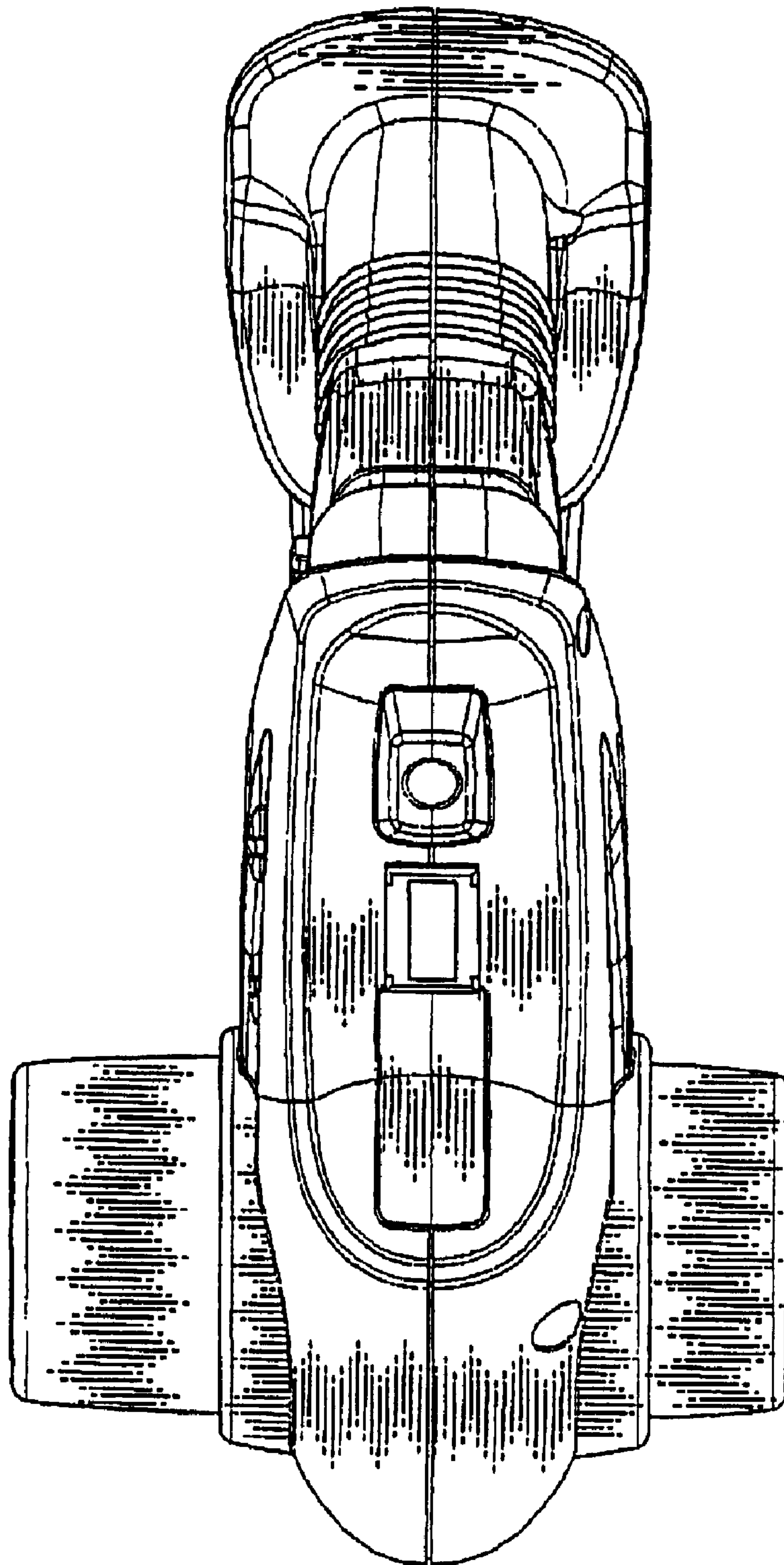


Fig. 7

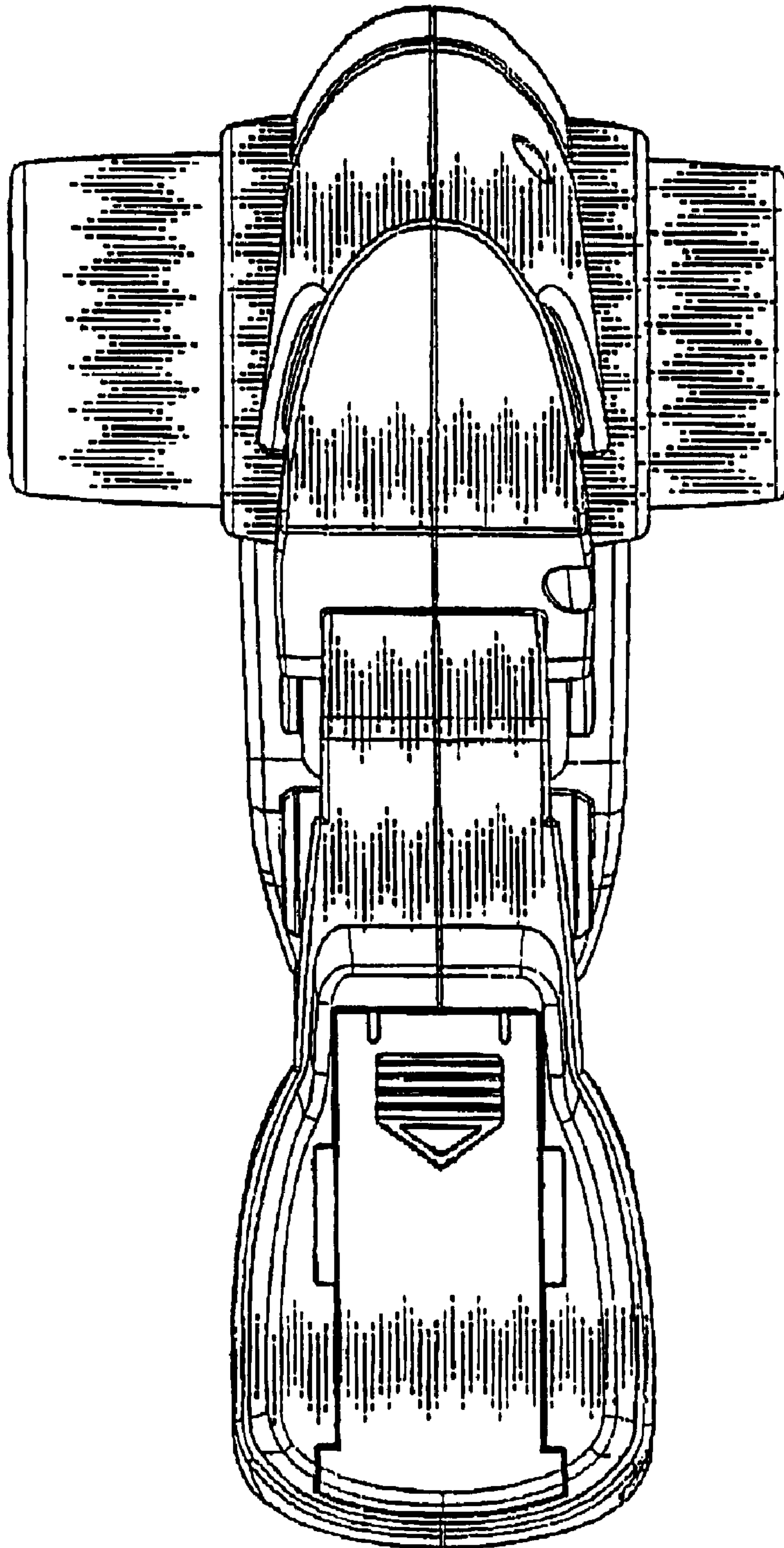


Fig. 8