



US00D518110S

(12) **United States Design Patent**
Ruelle

(10) **Patent No.:** **US D518,110 S**
(45) **Date of Patent:** **** Mar. 28, 2006**

(54) **SOCCER GAME TABLE**
(75) Inventor: **Russell J. Ruelle**, Newburgh, IN (US)
(73) Assignee: **Sop Services, Inc.**, Las Vegas, NV (US)
(**) Term: **14 Years**

(21) Appl. No.: **29/216,006**
(22) Filed: **Oct. 28, 2004**

(51) **LOC (8) Cl.** **21-01**
(52) **U.S. Cl.** **D21/318**
(58) **Field of Classification Search** D21/318,
D21/312, 314, 334, 338, 783; 273/108.1,
273/108.52-108.56, 118 R, 126 R, 126 A,
273/127 R, 236, DIG. 26; 473/4, 29, 115,
473/481; D6/329, 451

See application file for complete search history.

(56) **References Cited**

U.S. PATENT DOCUMENTS

D211,259 S * 6/1968 Maillard D21/318
D227,684 S * 7/1973 Patterson D21/318
4,025,073 A * 5/1977 Furr et al. 273/108.52
D352,969 S * 11/1994 Cecchetti D21/318
D451,556 S * 12/2001 Murrey D21/318
6,349,939 B1 * 2/2002 Tsai 273/108.1
6,402,140 B1 * 6/2002 Wood 273/108.1

6,409,169 B1 * 6/2002 Sutter 273/108.1
D499,149 S * 11/2004 Doherty et al. D21/318
6,854,728 B1 * 2/2005 Oister et al. 273/108.1

* cited by examiner

Primary Examiner—Prabhakar Deshmukh
(74) *Attorney, Agent, or Firm*—Woodard, Emhardt,
Moriarty, McNett & Henry, LLP

(57) **CLAIM**

The ornamental design for a soccer game table, as shown and described.

DESCRIPTION

FIG. 1 is a perspective view of a preferred embodiment of the present invention.

FIG. 2 is an end view of the preferred embodiment of the present invention of FIG. 1, the other end view is symmetric.

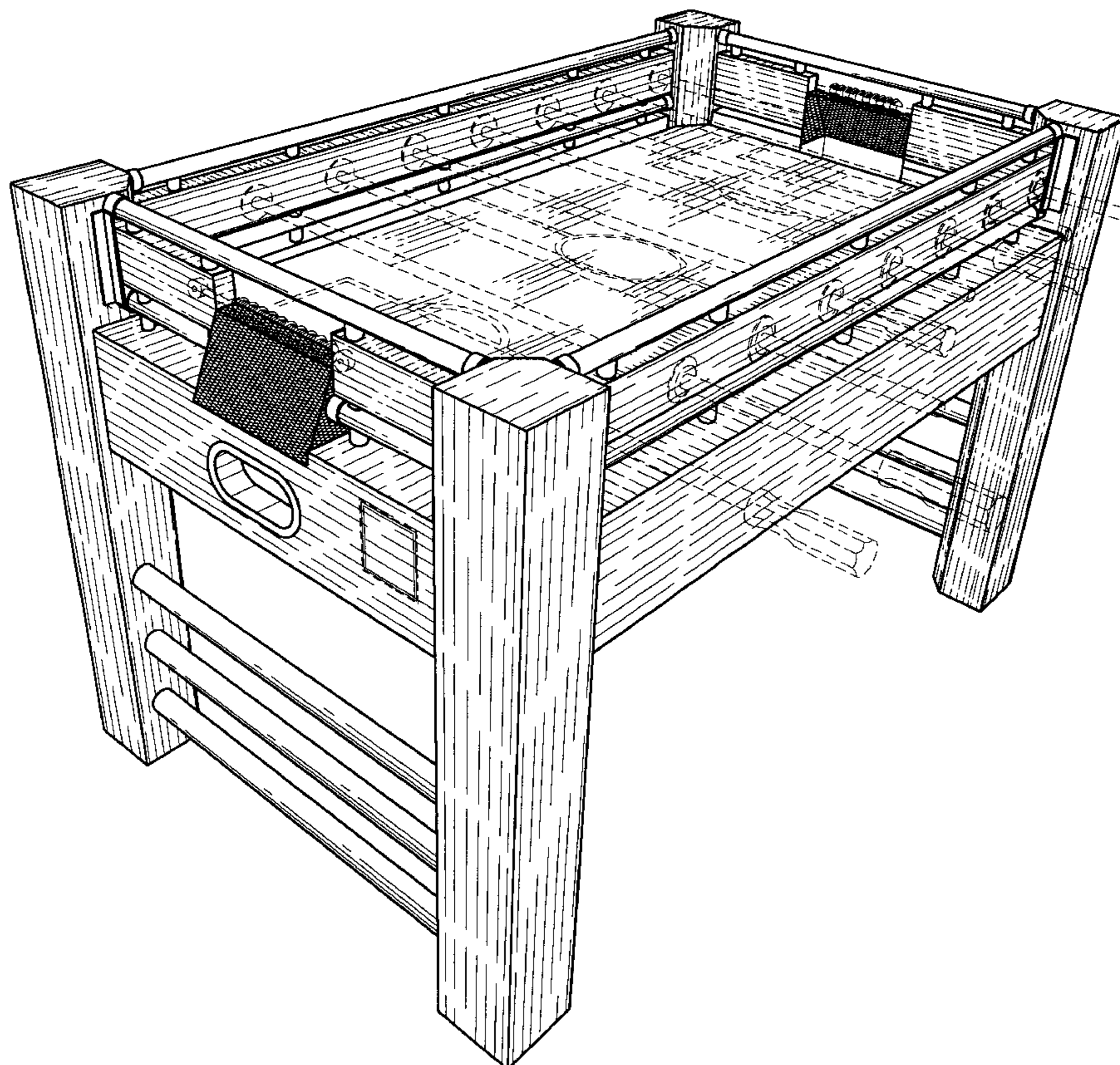
FIG. 3 is a right-side perspective view of the preferred embodiment of the present invention of FIG. 1, the left side view is symmetric.

FIG. 4 is a top view of the preferred embodiment of the present invention of FIG. 1; and,

FIG. 5 is a bottom view of the preferred embodiment of the present invention of FIG. 1.

The broken lines are for illustrative purpose only and form no part of the claimed design.

1 Claim, 5 Drawing Sheets



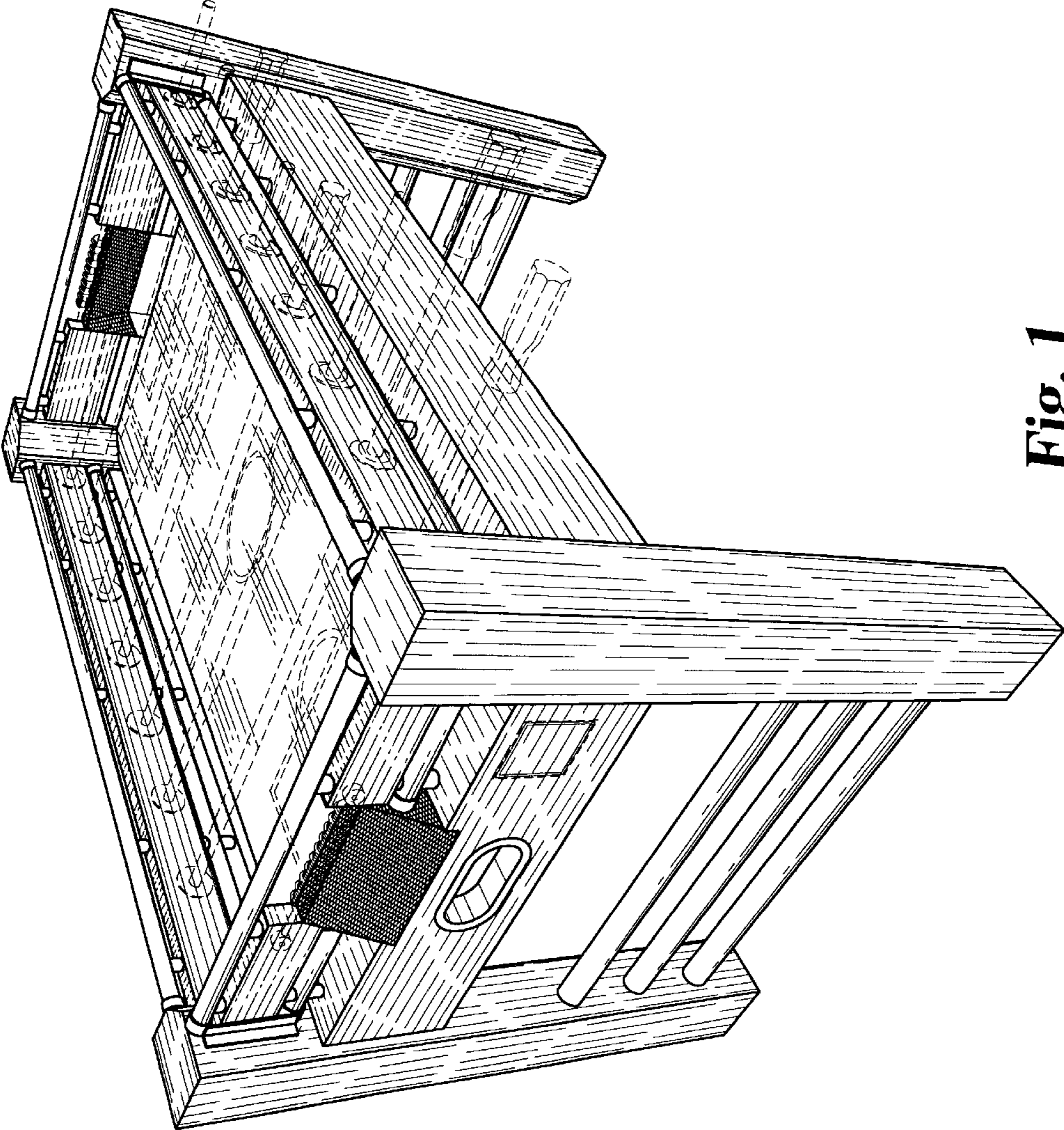


Fig. 1

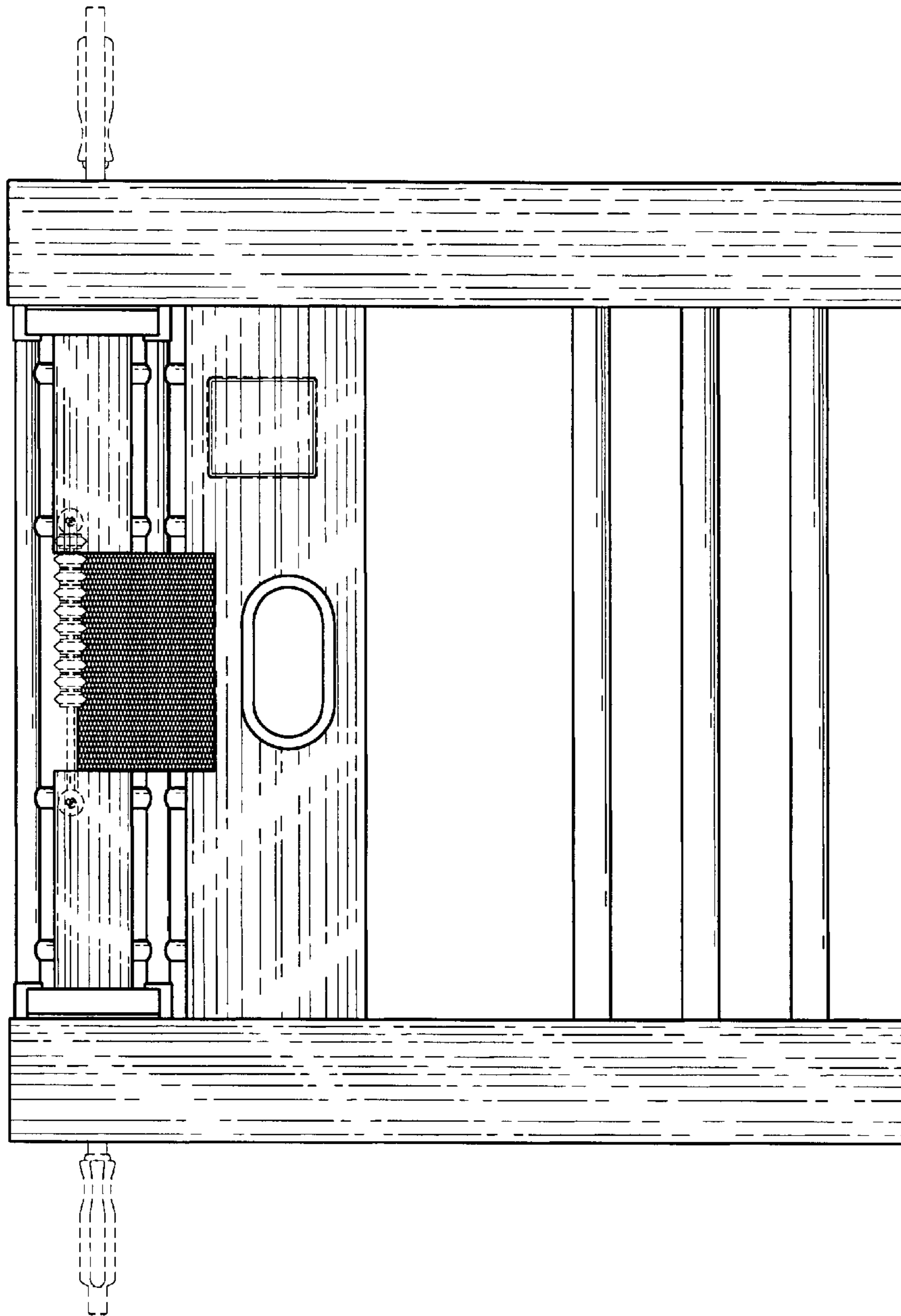


Fig. 2

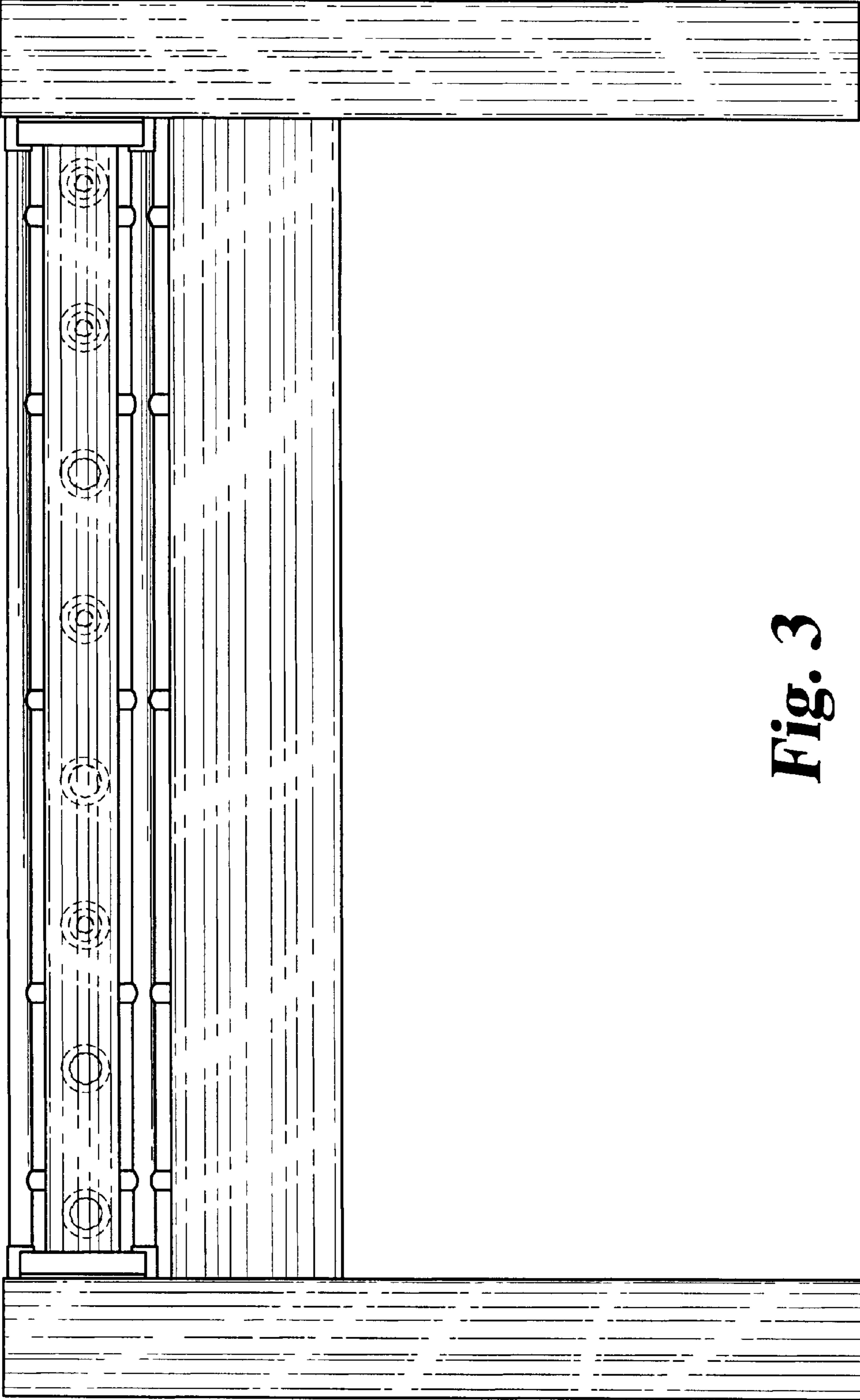


Fig. 3

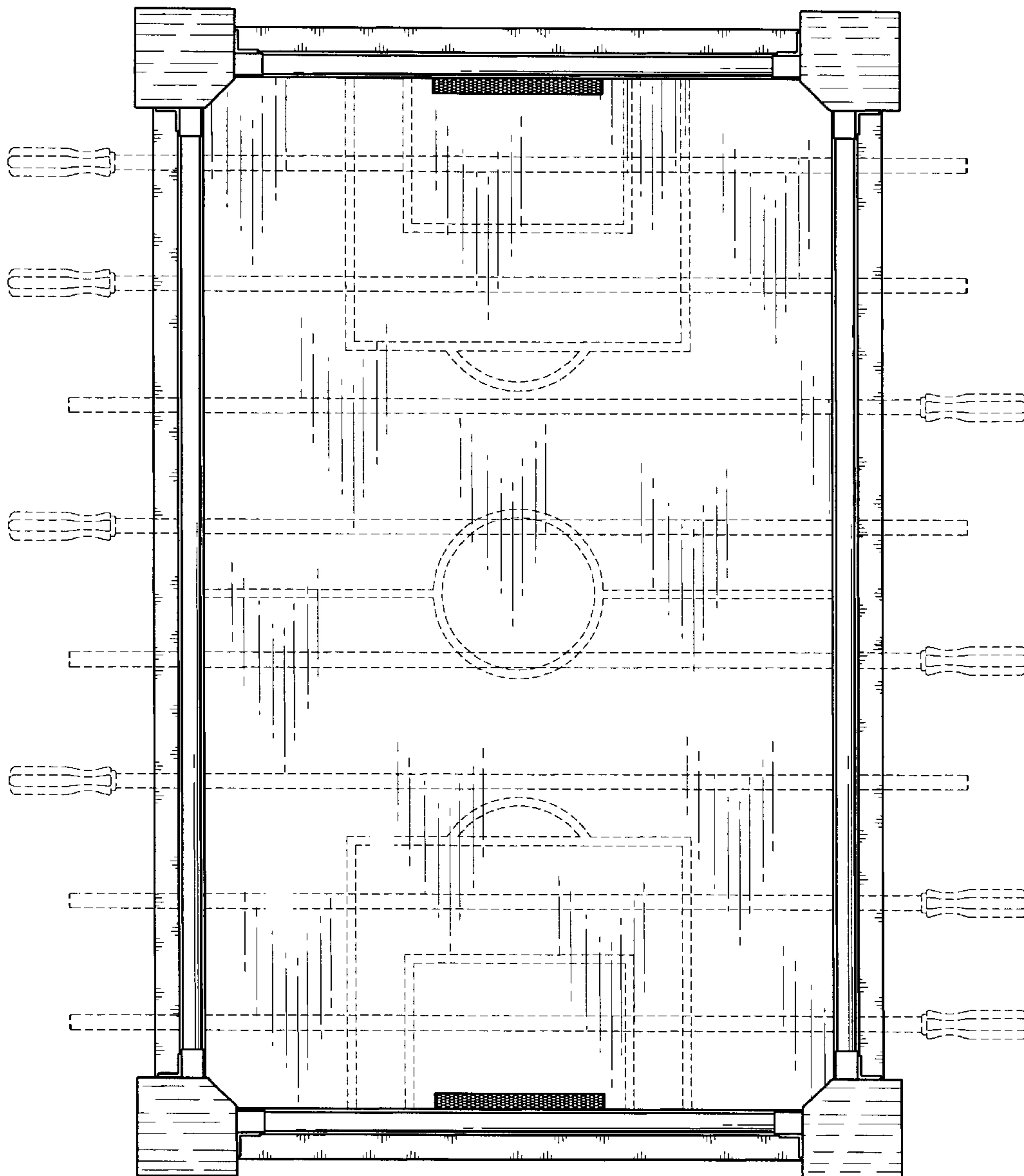


Fig. 4

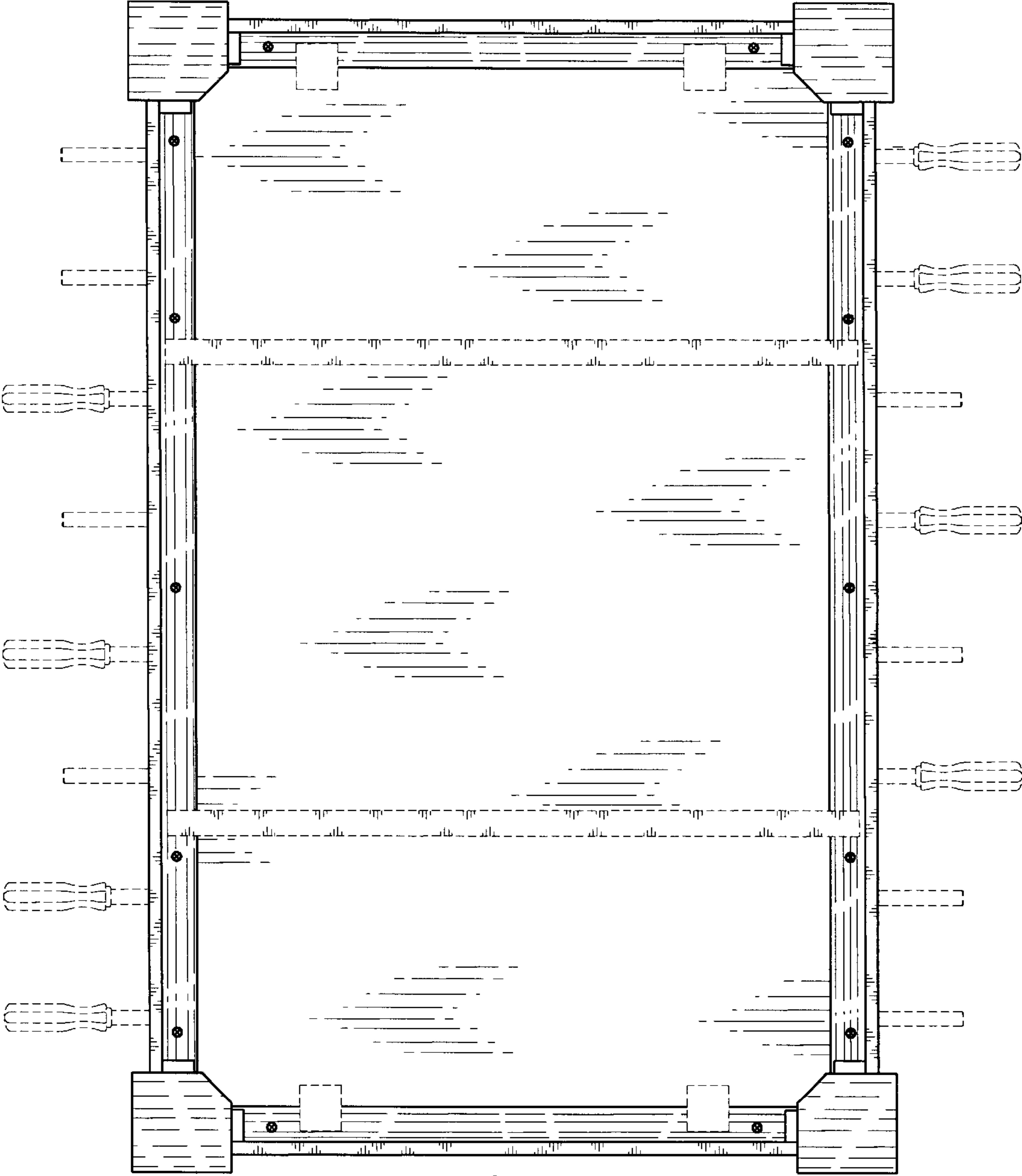


Fig. 5