



US00D518106S

(12) **United States Design Patent**
Mandel

(10) **Patent No.:** **US D518,106 S**
(45) **Date of Patent:** **** Mar. 28, 2006**

(54) **SLOT BOARD**

(75) Inventor: **Logan Flash Mandel**, Los Angeles, CA (US)

(73) Assignee: **GMPC, LLC**, Santa Monica, CA (US)

(**) Term: **14 Years**

(21) Appl. No.: **29/228,699**

(22) Filed: **Apr. 28, 2005**

(51) **LOC (8) Cl.** **19-02**

(52) **U.S. Cl.** **D19/88**

(58) **Field of Classification Search** D19/52,
D19/86, 87, 88, 90, 91, 92, 95; 24/67 R,
24/67.3, 67.5, 67.7; 248/447, 451, 452; 281/45;
362/99

See application file for complete search history.

(56) **References Cited**

U.S. PATENT DOCUMENTS

3,404,435	A	*	10/1968	Freundlich	24/67.9
3,670,370	A	*	6/1972	Goodwin	24/67.7
D352,314	S	*	11/1994	Wolff	D19/65
D364,188	S	*	11/1995	Wolff	D19/65
D477,213	S	*	7/2003	Jones et al.	D8/395
6,619,479	B1	*	9/2003	Jones et al.	206/554

D497,186 S * 10/2004 Cetera D19/88
2002/0030989 A1 * 3/2002 Stephen 362/98

* cited by examiner

Primary Examiner—Jeffrey Asch

Assistant Examiner—Elizabeth Albert

(74) *Attorney, Agent, or Firm*—Christie, Parker & Hale, LLP

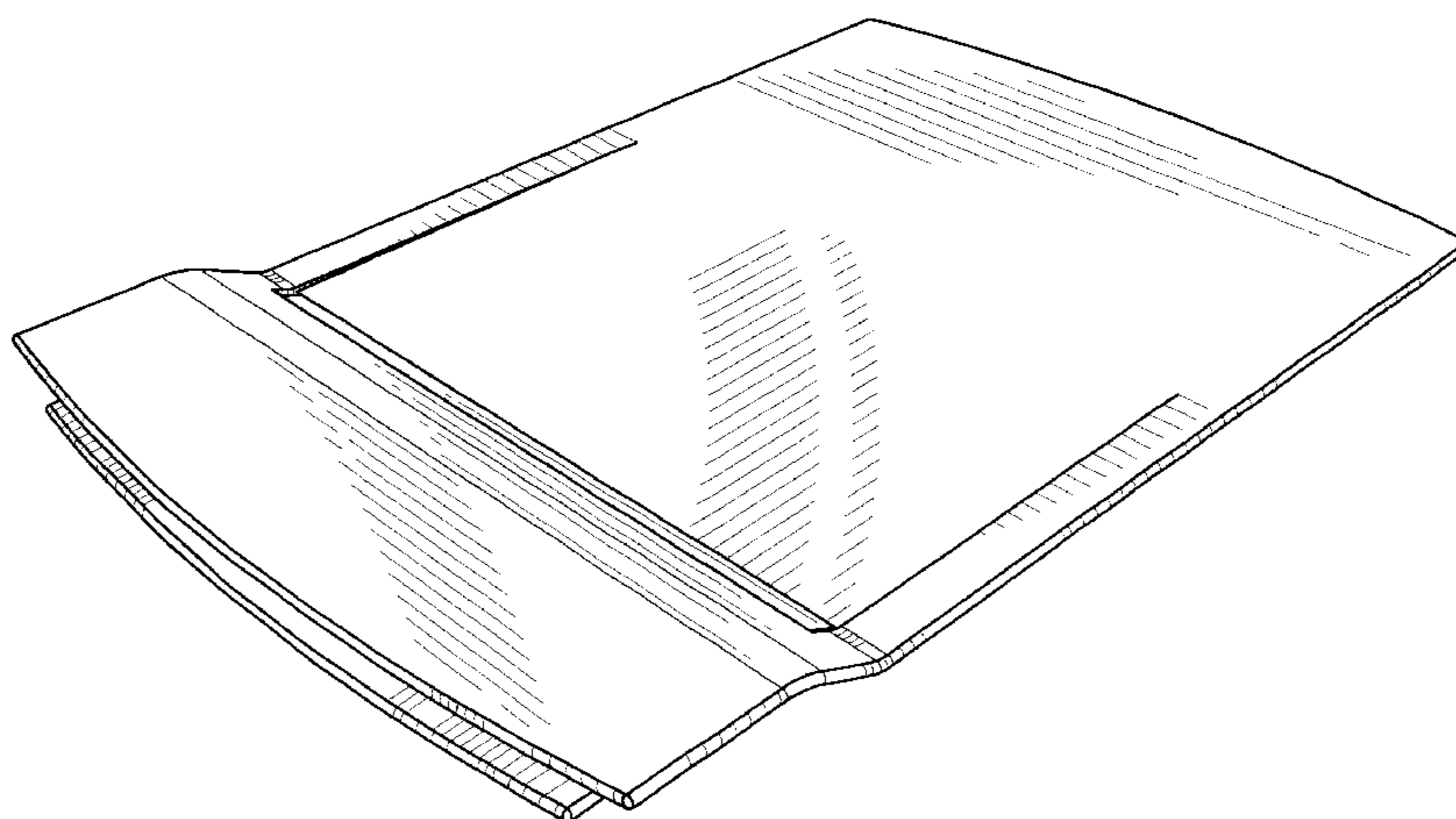
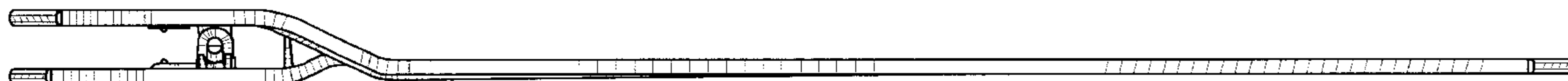
(57) **CLAIM**

The ornamental design for a slot board, as shown and described.

DESCRIPTION

FIG. 1 is a top plan view of a slot board showing my new design;
FIG. 2 is bottom plan back view thereof;
FIG. 3 is a rear elevational view thereof;
FIG. 4 is a front elevational view thereof;
FIG. 5 is a left side elevational view thereof;
FIG. 6 is a right side elevational view thereof;
FIG. 7 is a front left perspective view thereof;
FIG. 8 is a rear left perspective view thereof;
FIG. 9 is a rear right perspective view thereof; and,
FIG. 10 is a bottom rear perspective view thereof.

1 Claim, 5 Drawing Sheets



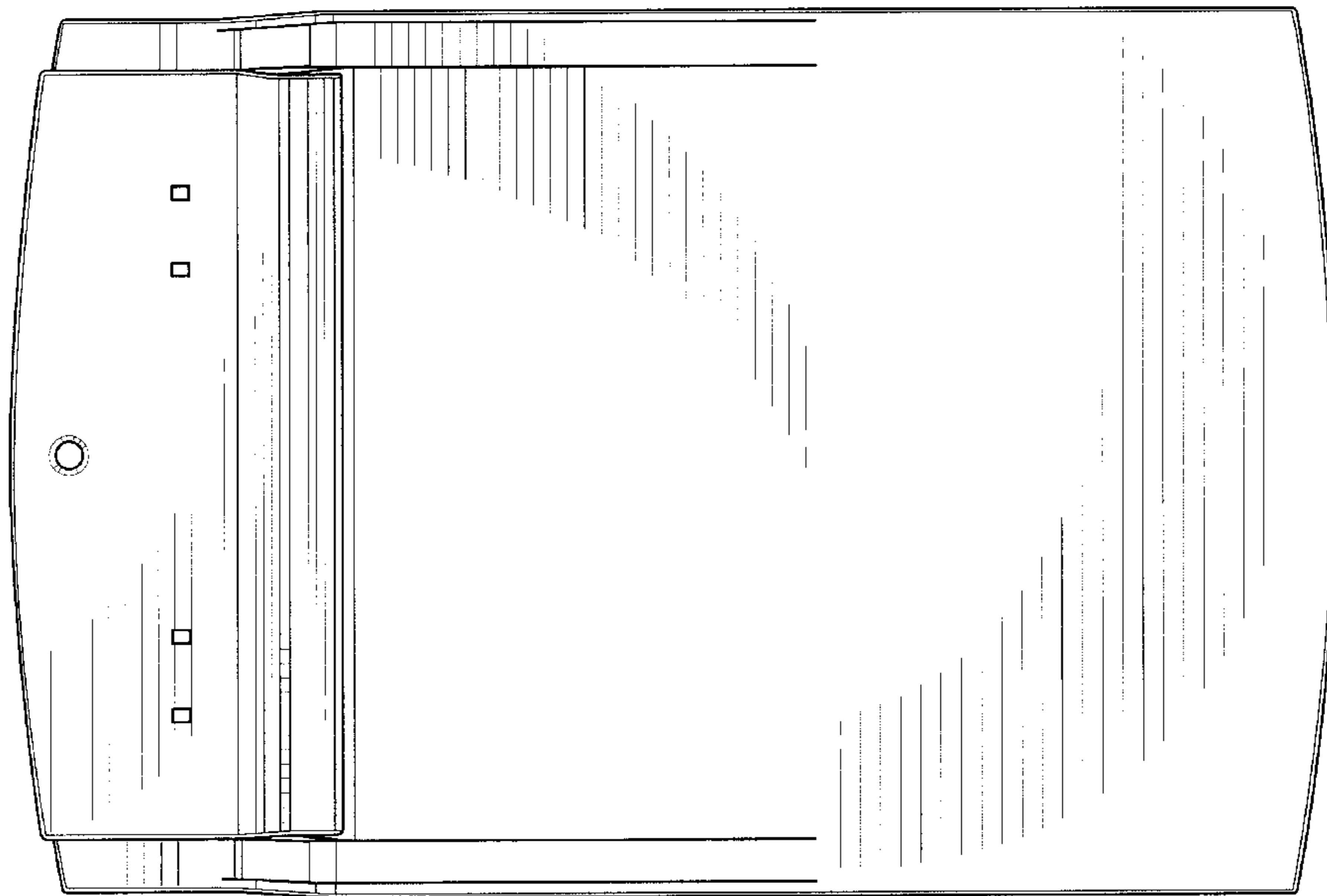


FIG. 1

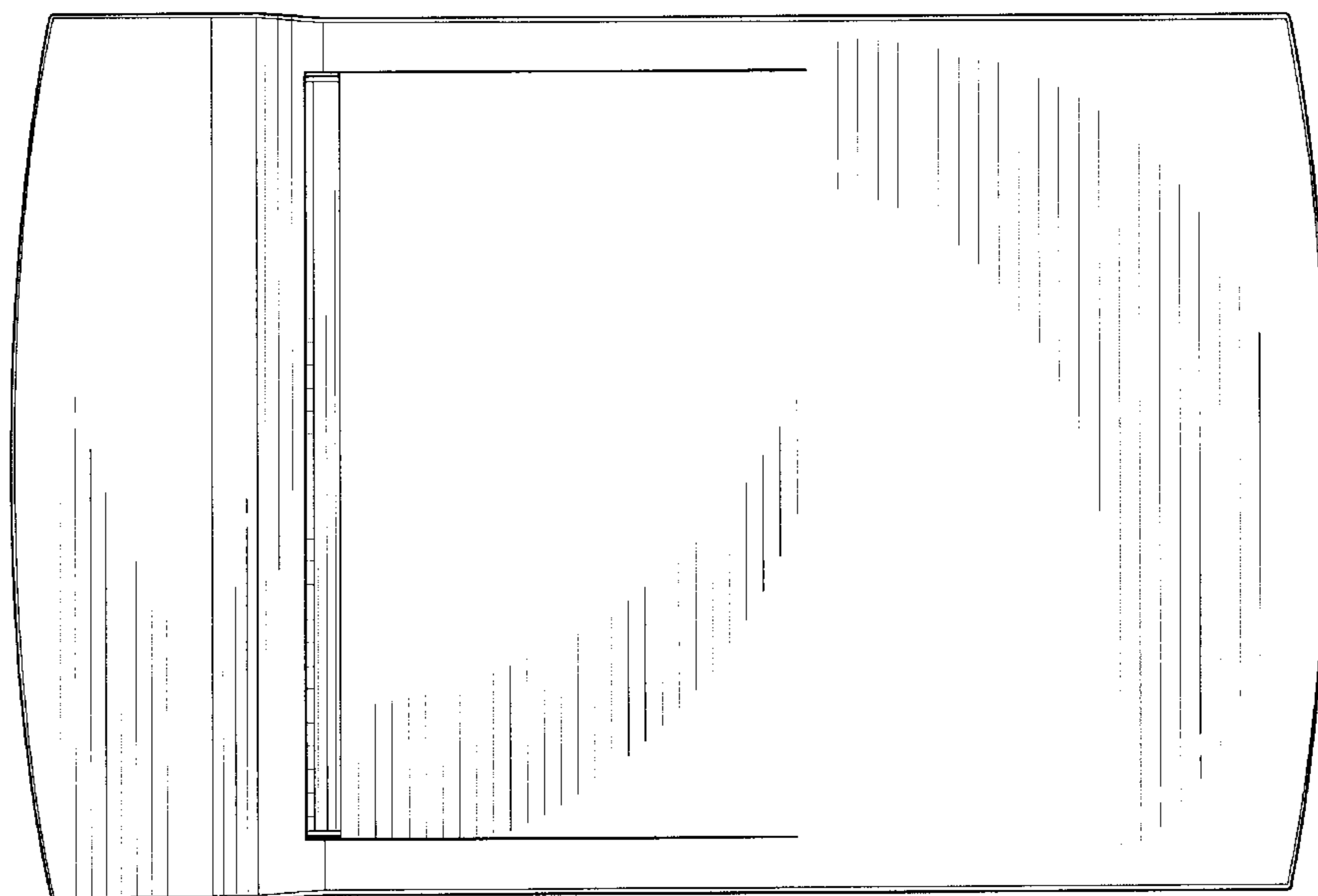


FIG. 2

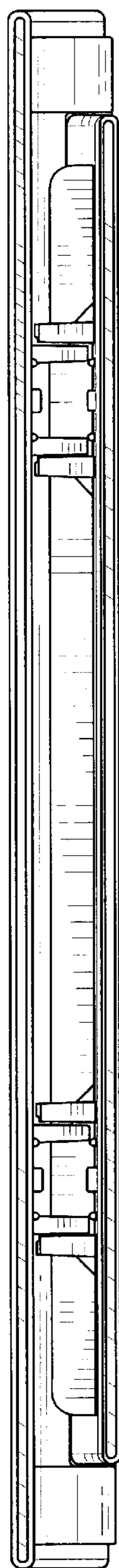


FIG. 3



FIG. 4

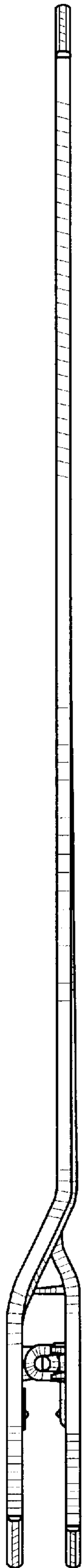


FIG. 5

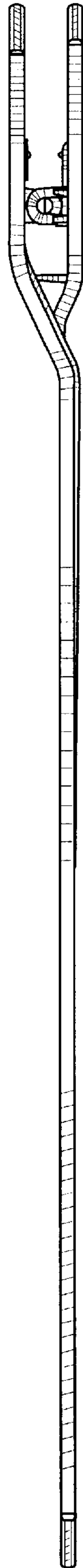
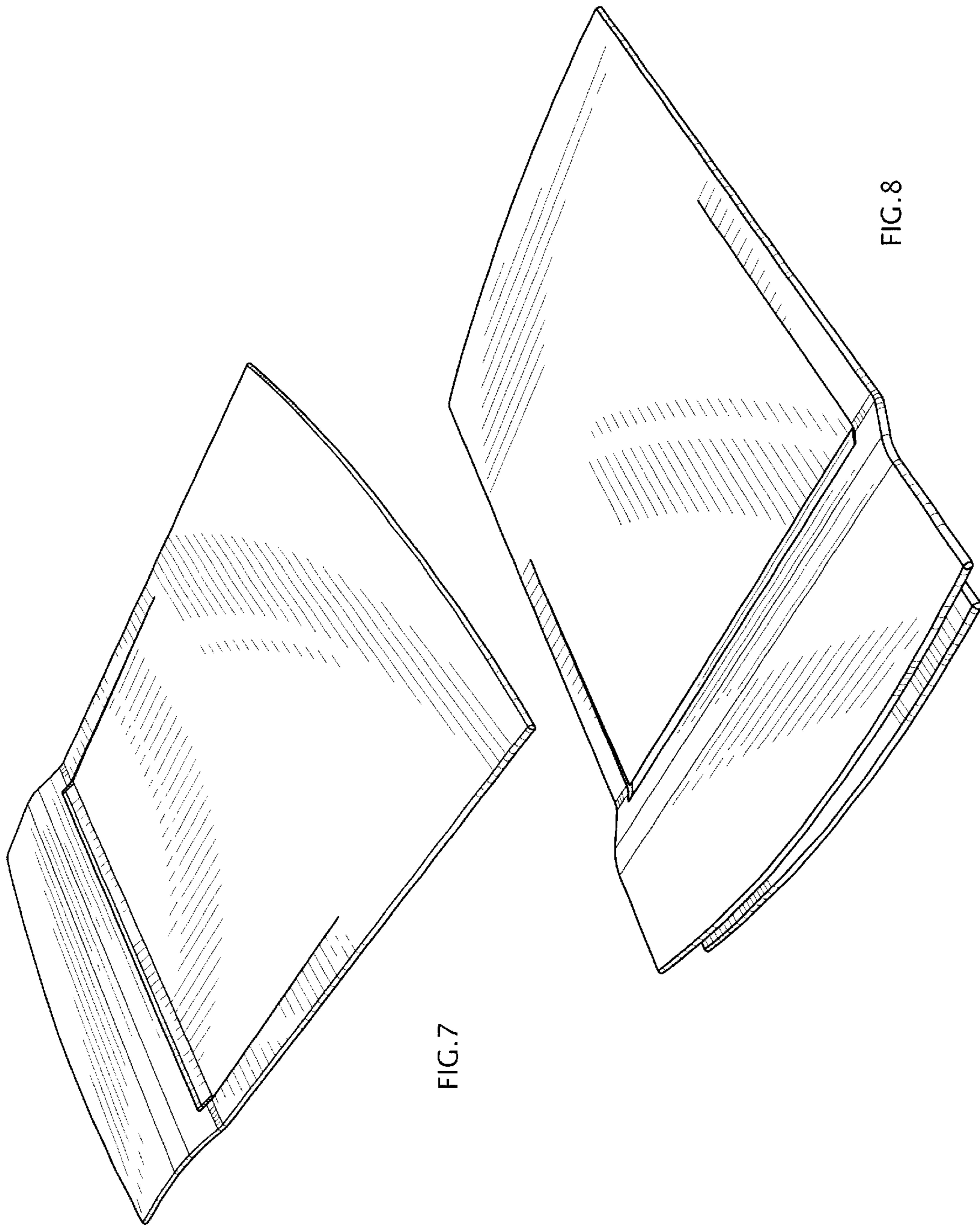


FIG. 6



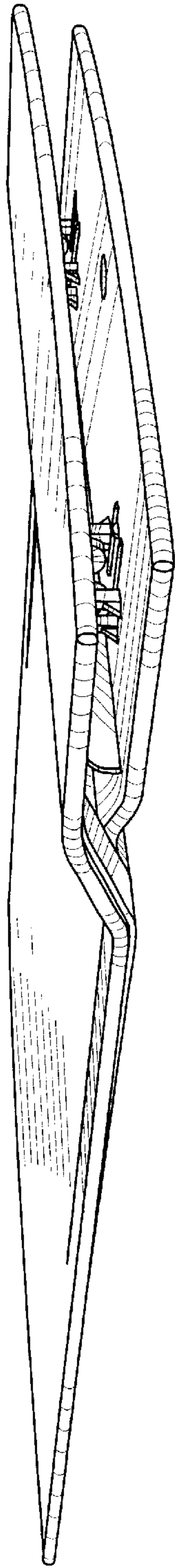


FIG. 9

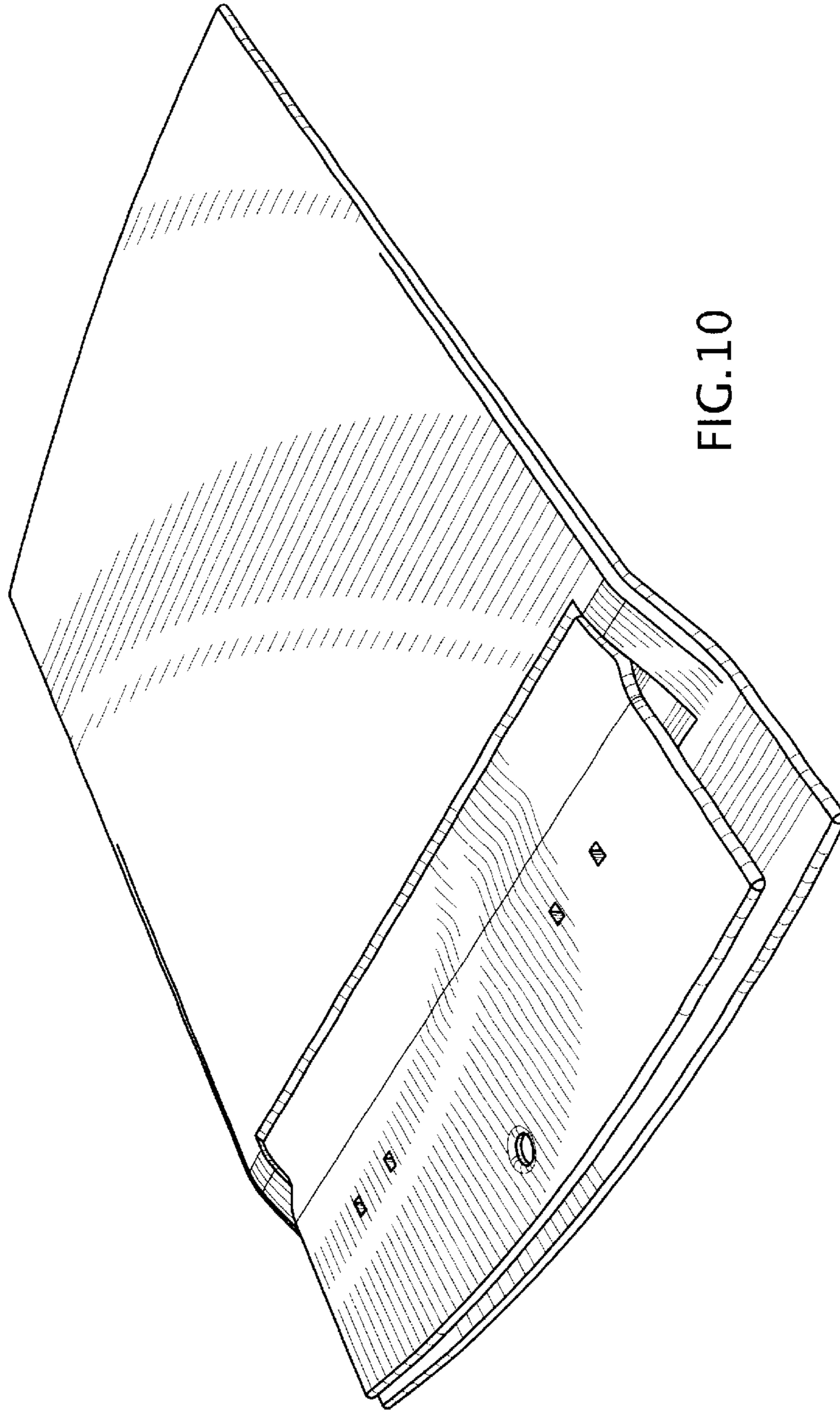


FIG. 10