



US00D518096S

(12) **United States Design Patent**  
**Andoh**

(10) **Patent No.:** **US D518,096 S**  
(45) **Date of Patent:** **\*\* Mar. 28, 2006**

(54) **CARTRIDGE**

(75) Inventor: **Kikuo Andoh**, Odawara (JP)

(73) Assignee: **Fuji Photo Film Co., Ltd.**,  
Minamiashigara (JP)

(\*\*) Term: **14 Years**

(21) Appl. No.: **29/196,674**

(22) Filed: **Jan. 5, 2004**

(30) **Foreign Application Priority Data**

Jul. 7, 2003 (JP) ..... 2003-019493

(51) **LOC (8) Cl.** ..... **18-02**

(52) **U.S. Cl.** ..... **D18/56**

(58) **Field of Classification Search** ..... D18/40,  
D18/43, 56; 347/86, 87; D9/560

See application file for complete search history.

(56) **References Cited**

**U.S. PATENT DOCUMENTS**

D237,583 S	*	11/1975	Kemp	.....	D9/684
5,022,547 A	*	6/1991	Spangler et al.	.....	220/23.4
6,183,075 B1	*	2/2001	Sasaki	.....	347/86
6,698,872 B1	*	3/2004	Hou et al.	.....	347/86
D494,851 S	*	8/2004	Uchiyama	.....	D18/43

\* cited by examiner

*Primary Examiner*—Cathy Anne MacCormac

(74) *Attorney, Agent, or Firm*—Oliff & Berridge, PLC

(57) **CLAIM**

The ornamental design for a cartridge, as shown and described.

**DESCRIPTION**

The nature of this product is a cartridge comprising a cardboard cartridge box containing three (3) replenisher containers in a row for replenishing processing solution to an automatic processor. The cartridge is flipped upside down and inserted into an automatic processor, allowing one-step exchange of the cartridge. The cartridge supplies the solution, is used, and removed as is.

FIG. 1 is a perspective view of the cartridge;

FIG. 2 is a front view of the cartridge, the rear view being a mirror image;

FIG. 3 is a left side view of the cartridge;

FIG. 4 is a right side view of the cartridge;

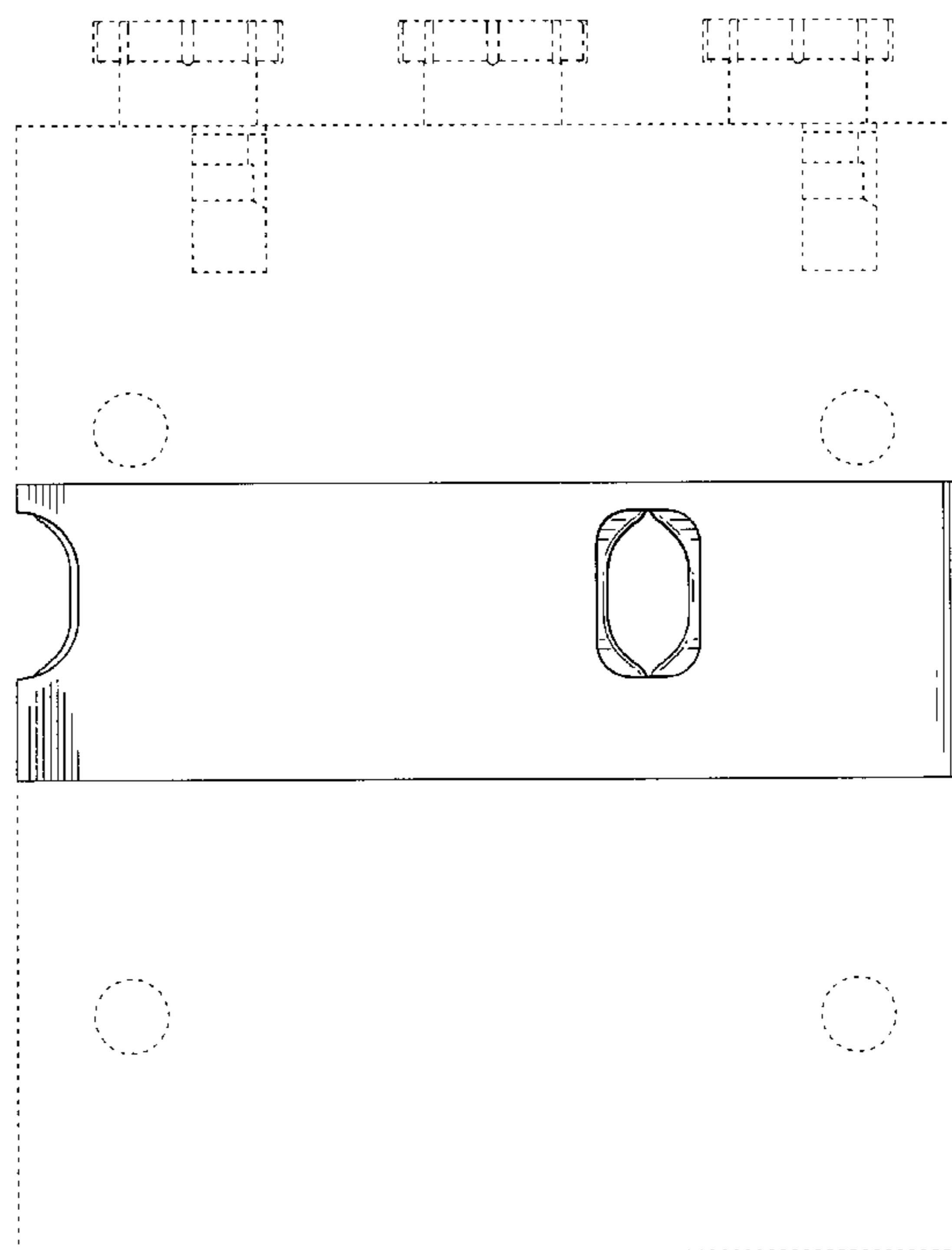
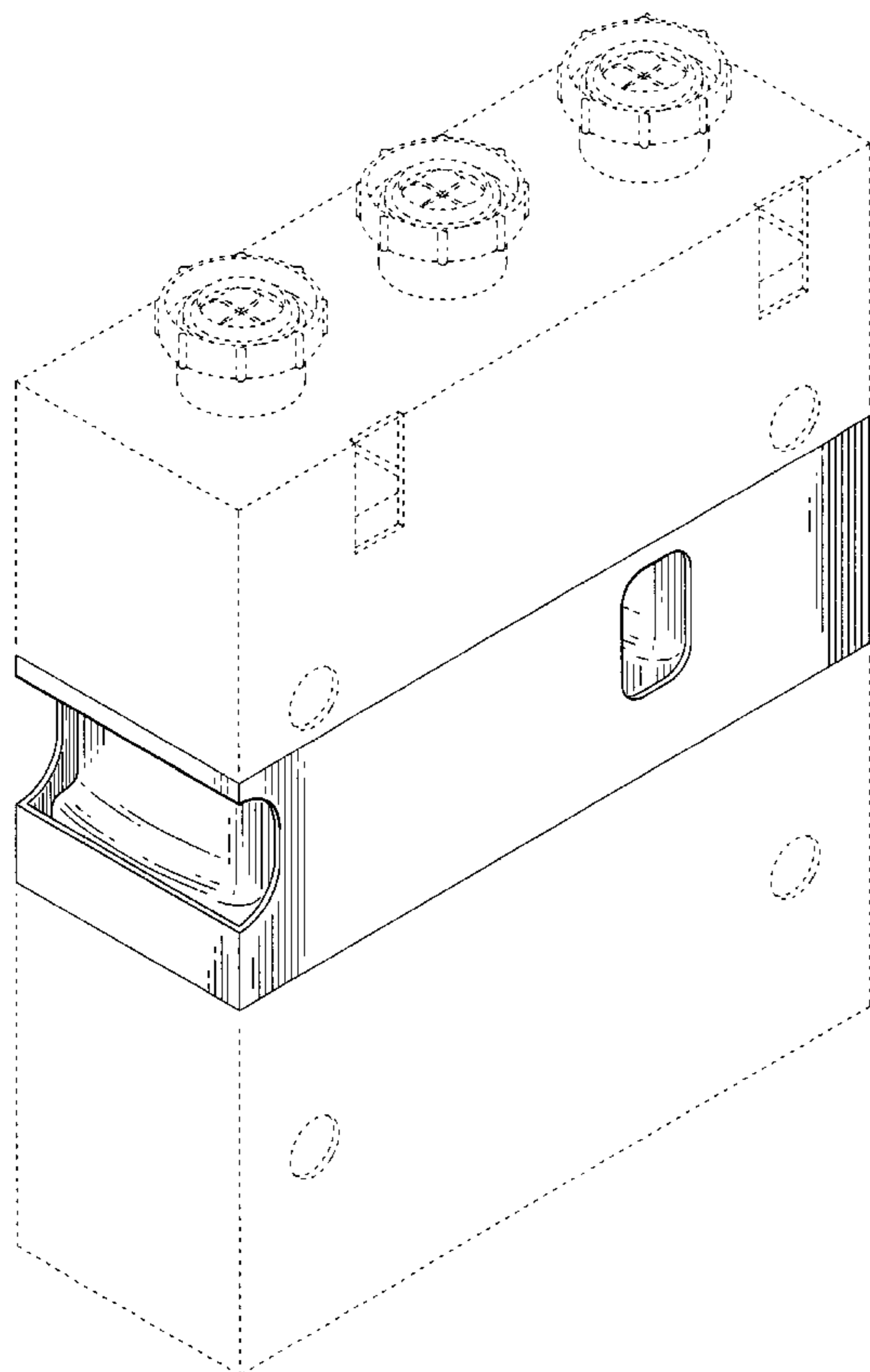
FIG. 5 is a top view of the cartridge; and,

FIG. 6 is a bottom view of the cartridge.

The outline of the article is illustrated with dashed lines, and the solid line portions indicate the portions of the article to which the present design is applied.

The broken lines are for illustration only and form no part of the claimed design.

**1 Claim, 4 Drawing Sheets**



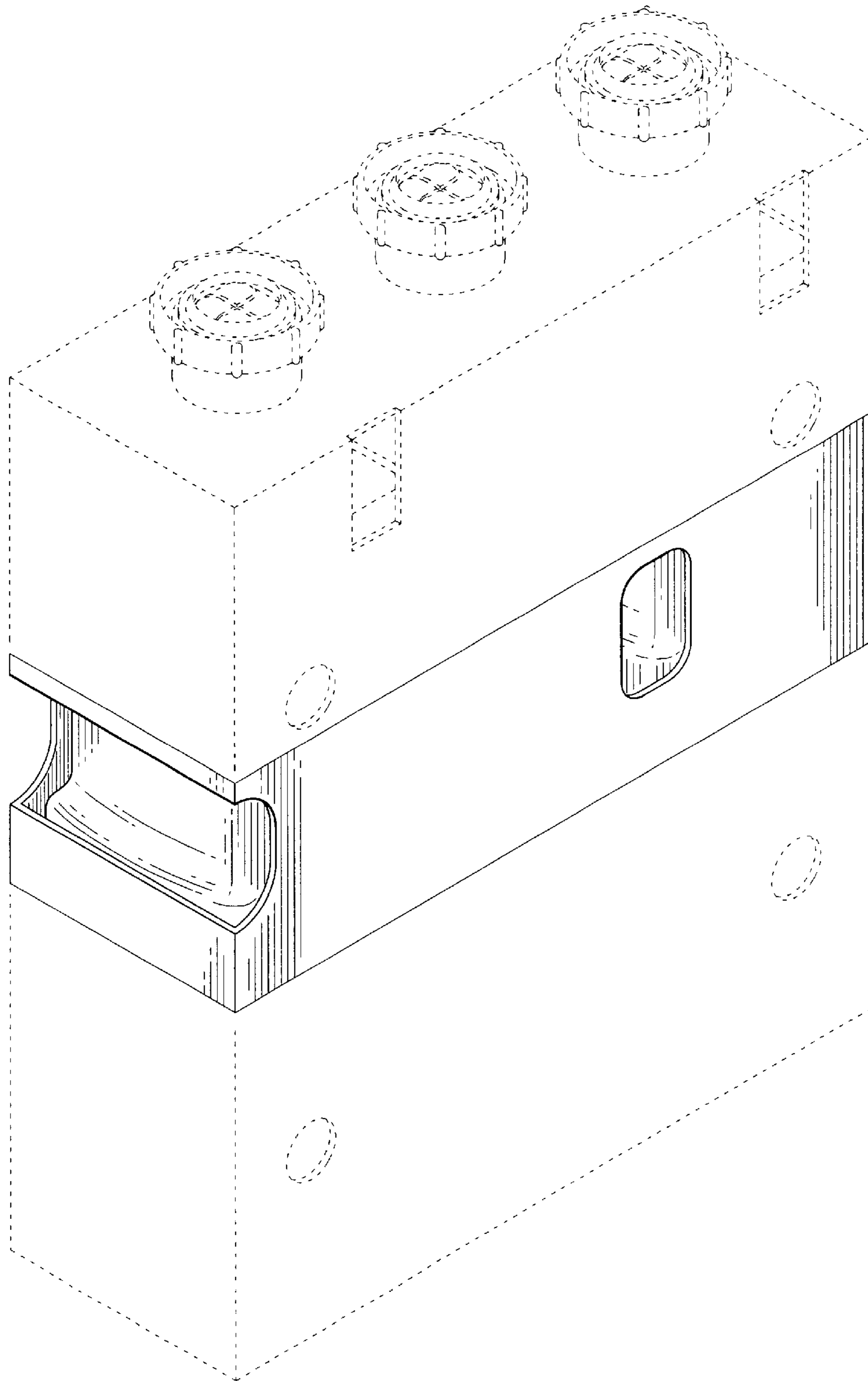


FIG. 1

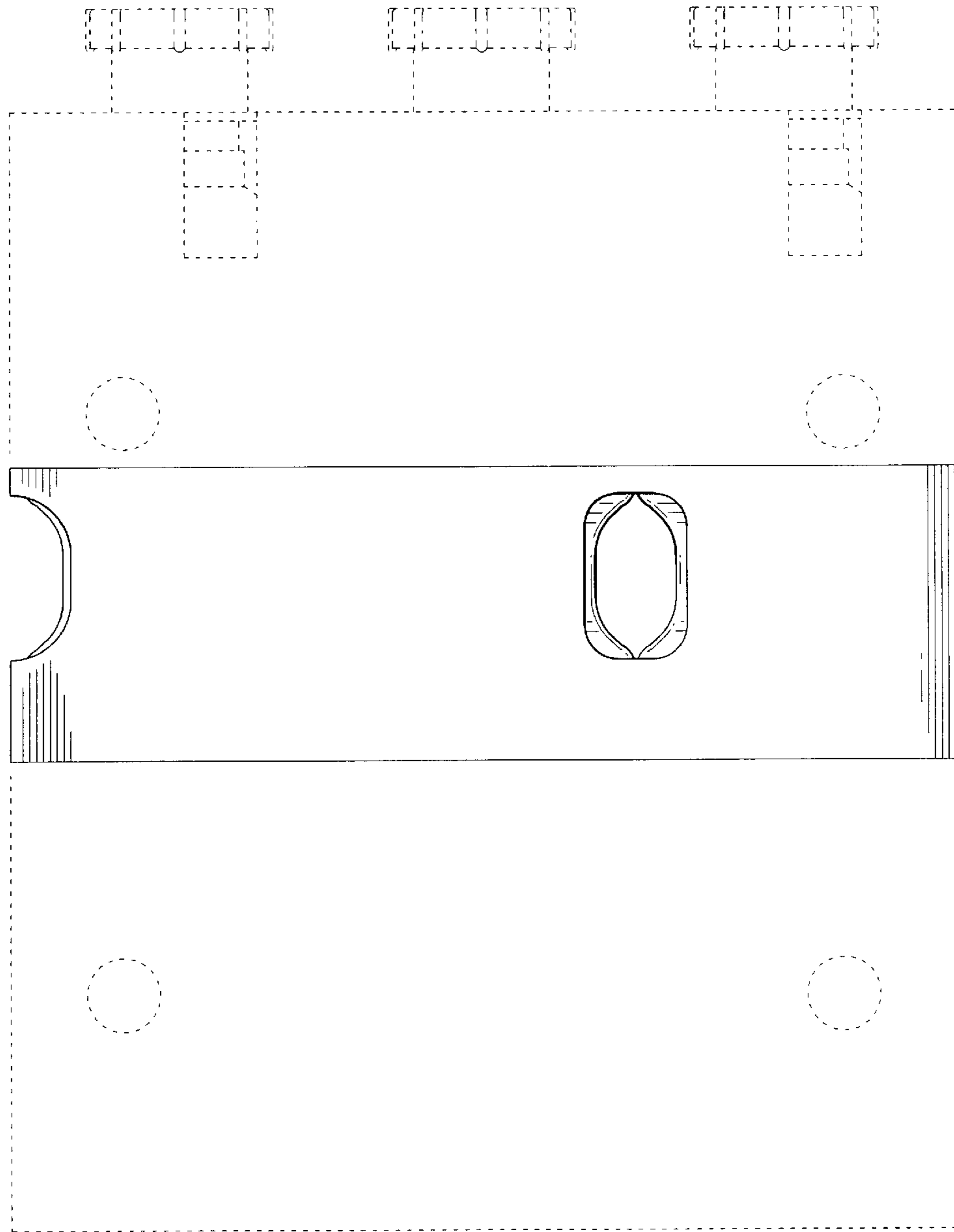


FIG. 2

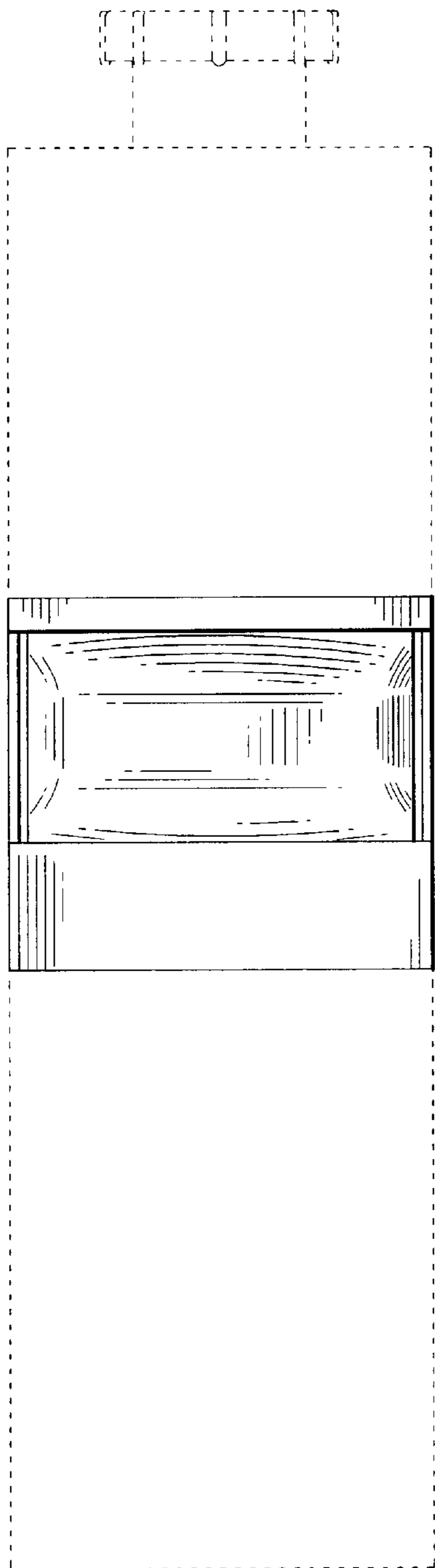


FIG. 3

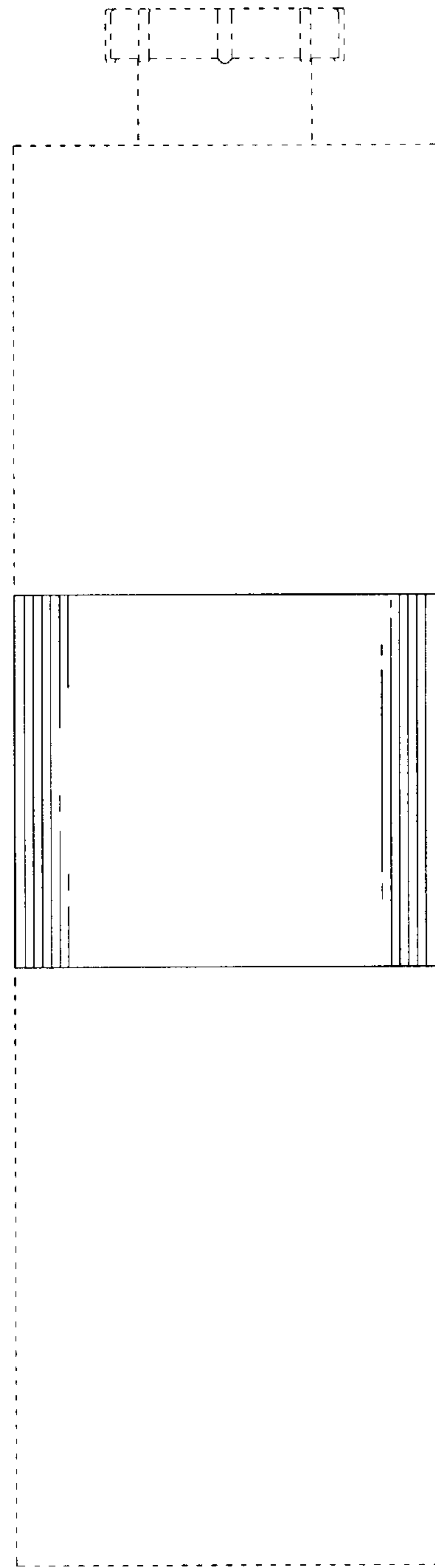


FIG. 4

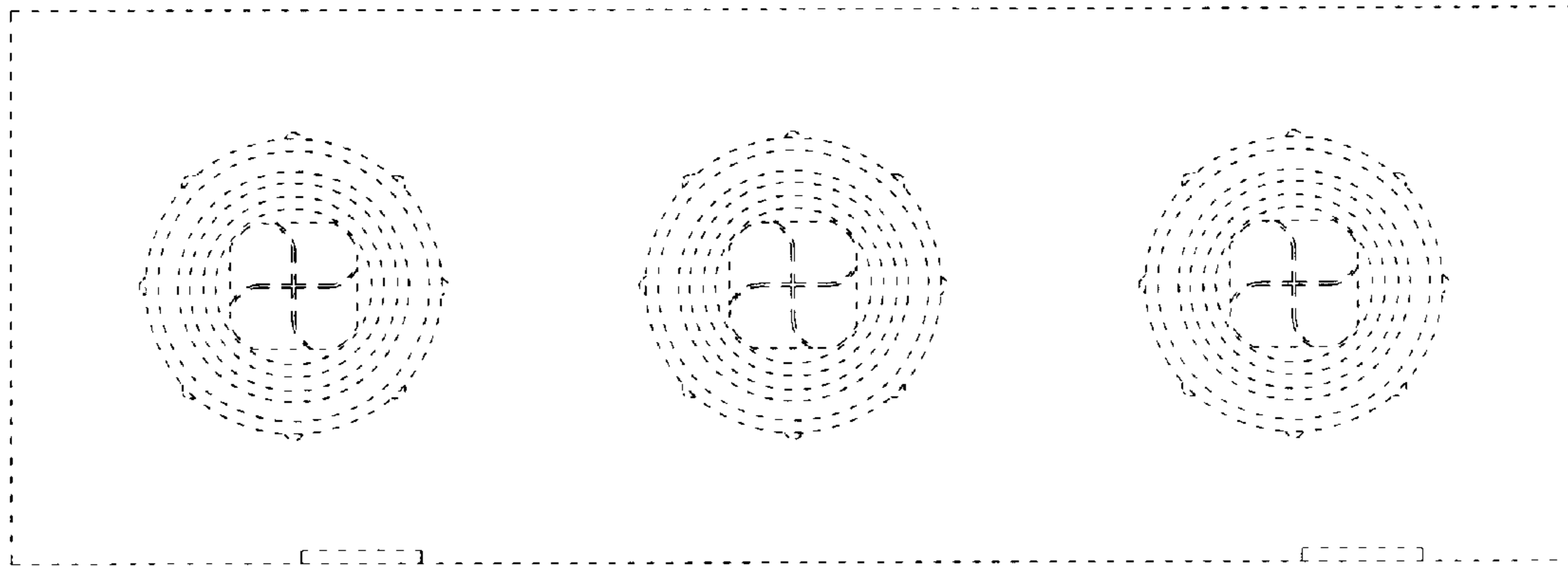


FIG. 5



FIG. 6