



US00D518094S

(12) **United States Design Patent**  
**Nakayama et al.**

(10) **Patent No.:** **US D518,094 S**  
(45) **Date of Patent:** **\*\* Mar. 28, 2006**

(54) **PRINTER**

(75) Inventors: **Tetsu Nakayama**, Nagano-ken (JP);  
**Mikinobu Abe**, Nagano-ken (JP);  
**Masahiko Kobayashi**, Nagano-ken (JP)

(73) Assignee: **Seiko Epson Corporation**, Tokyo (JP)

(\*\*) Term: **14 Years**

(21) Appl. No.: **29/208,703**

(22) Filed: **Jul. 6, 2004**

(30) **Foreign Application Priority Data**

Feb. 18, 2004 (JP) ..... 2004-004213

(51) **LOC (8) Cl.** ..... **14-02**

(52) **U.S. Cl.** ..... **D18/55**

(58) **Field of Classification Search** ..... D18/19,  
D18/36-39, 50, 54, 54.1, 55; D14/420-425,  
D14/462-470; 40/613, 613.1, 613.2, 613.3,  
40/613.4, 690.1, 690.2, 690.3, 690.4, 691-694  
See application file for complete search history.

(56) **References Cited**

**U.S. PATENT DOCUMENTS**

- D281,247 S \* 11/1985 Lahey et al. .... D18/55
- 5,019,839 A \* 5/1991 Watanabe et al. .... D18/55
- D318,483 S \* 7/1991 Tashiro ..... D18/55
- D334,022 S \* 3/1993 Byun ..... D18/50
- D339,158 S \* 9/1993 Sato ..... D18/50
- D340,065 S \* 10/1993 Fukuda ..... D18/50
- D381,678 S \* 7/1997 Nakamura ..... D18/50
- 5,746,528 A \* 5/1998 Mayer et al. .... 400/625

- D397,357 S \* 8/1998 Herman et al. .... D18/55
- D413,351 S \* 8/1999 Escobedo et al.
- D425,552 S \* 5/2000 Kobayashi et al. .... D18/54
- D428,051 S \* 7/2000 Ikenaga ..... D18/50
- 6,132,122 A \* 10/2000 Robinson et al. .... 400/691
- 6,290,409 B1 \* 9/2001 Osmus ..... 400/693
- D449,333 S \* 10/2001 Osmus et al. .... D18/50
- 6,382,858 B1 \* 5/2002 Nojima et al. .... 400/691
- D461,788 S \* 8/2002 Oka ..... D18/50
- 6,474,884 B1 \* 11/2002 Chiu ..... 400/693
- D466,924 S \* 12/2002 Wong et al. .... D18/55
- D501,503 S \* 2/2005 Leong et al. .... D18/55
- 6,923,584 B1 \* 8/2005 Namekawa et al. .... 400/693

\* cited by examiner

*Primary Examiner*—Cathy Anne MacCormac

(74) *Attorney, Agent, or Firm*—Sughrue Mion, PLLC

(57) **CLAIM**

The ornamental design for a printer, as shown and described.

**DESCRIPTION**

FIG. 1 is a perspective view of the top, front and right side of a printer showing our new design;  
FIG. 2 is a front elevational view thereof;  
FIG. 3 rear elevational view thereof;  
FIG. 4 left side elevational view thereof;  
FIG. 5 right side elevational view thereof;  
FIG. 6 top plan view thereof;  
FIG. 7 bottom plan view thereof; and,  
FIG. 8 is a perspective view similar to FIG. 1 with the paper holding tray in the extended position.

**1 Claim, 6 Drawing Sheets**

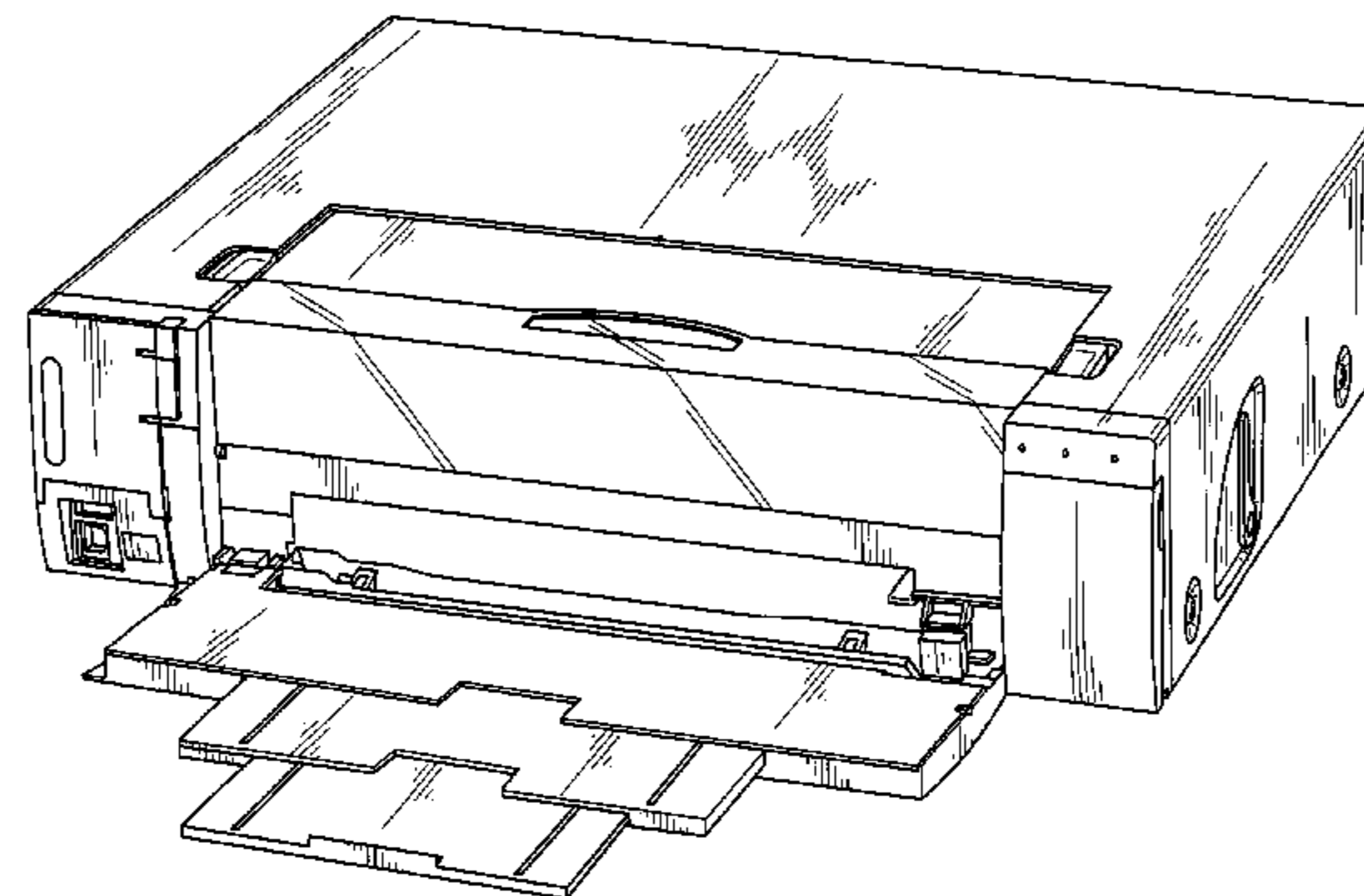
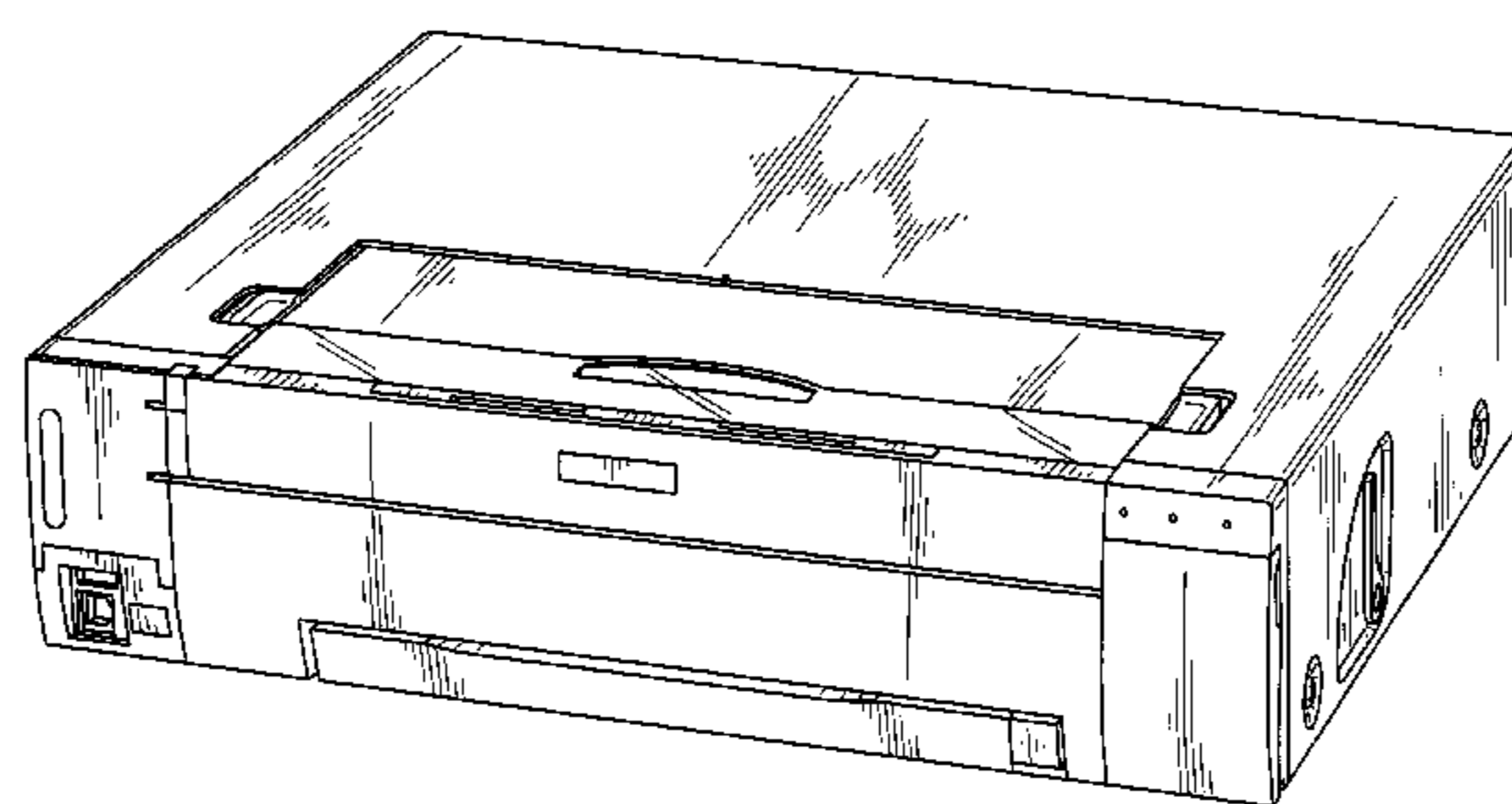


FIG. 1

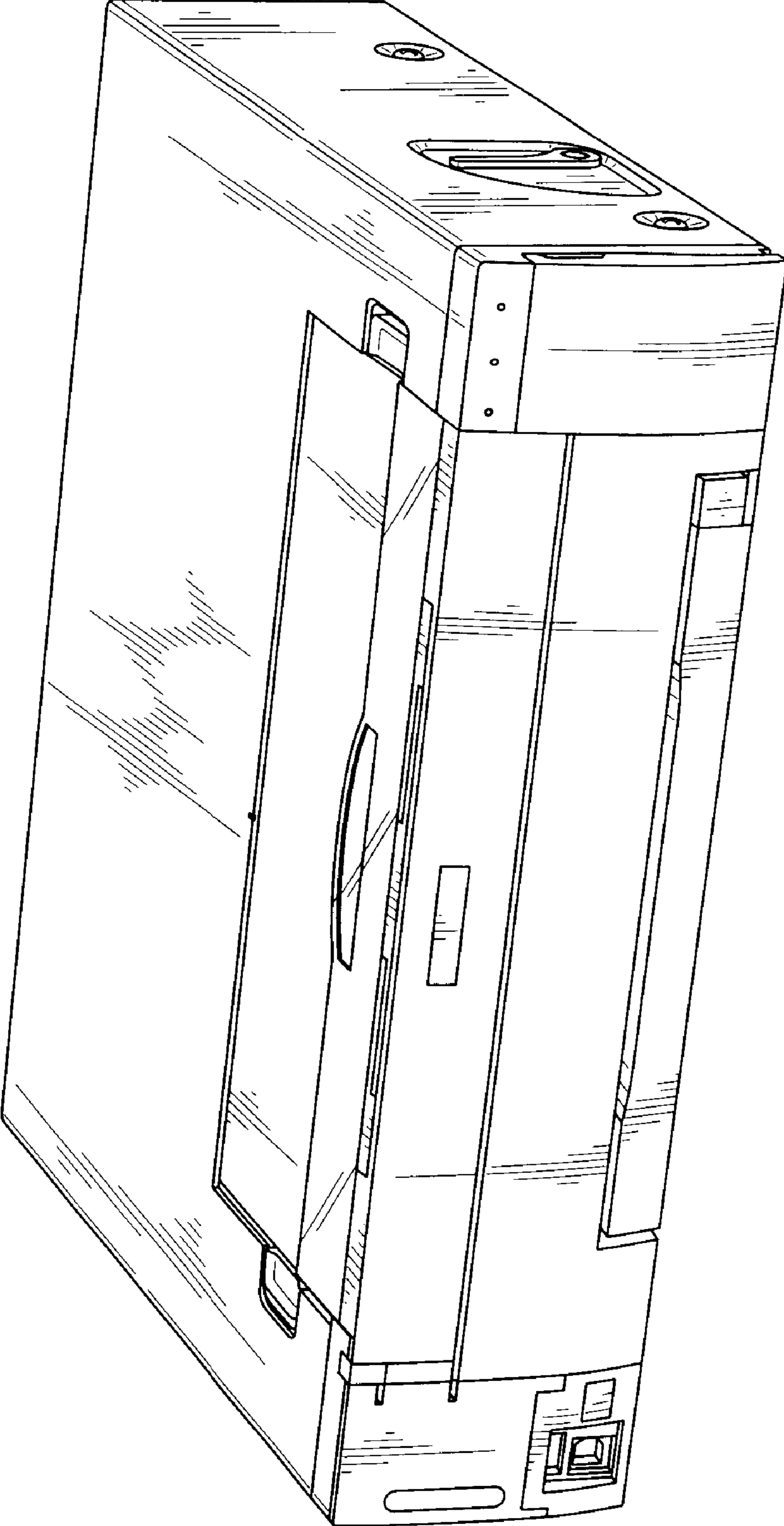


FIG. 2

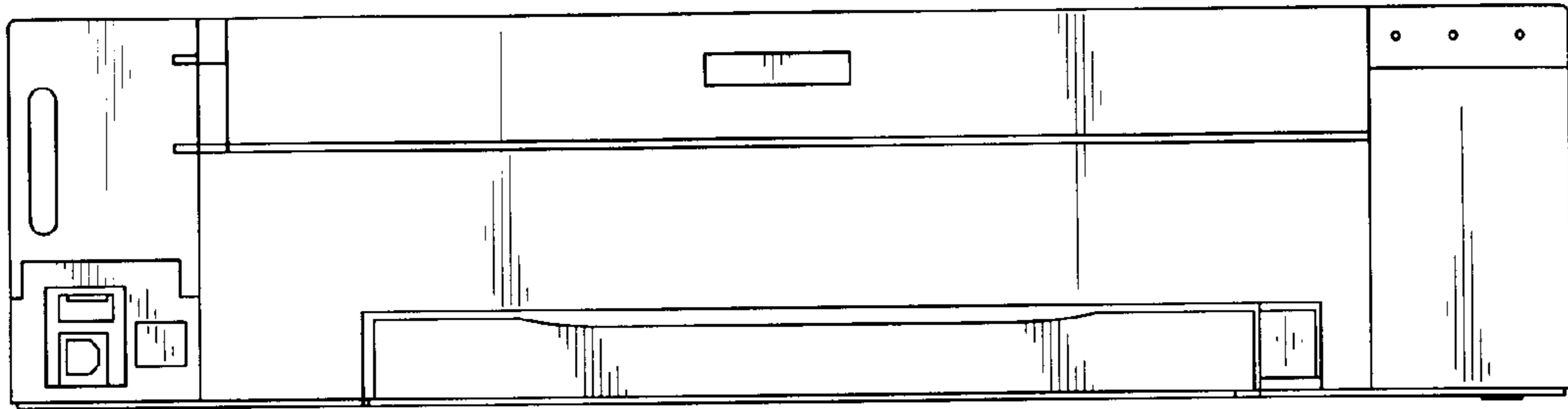
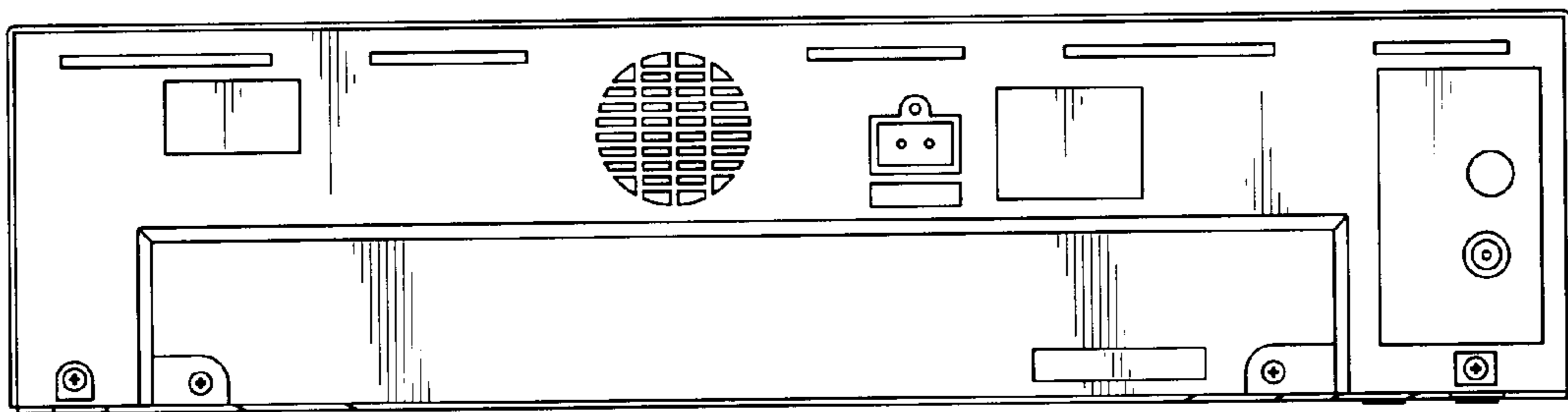
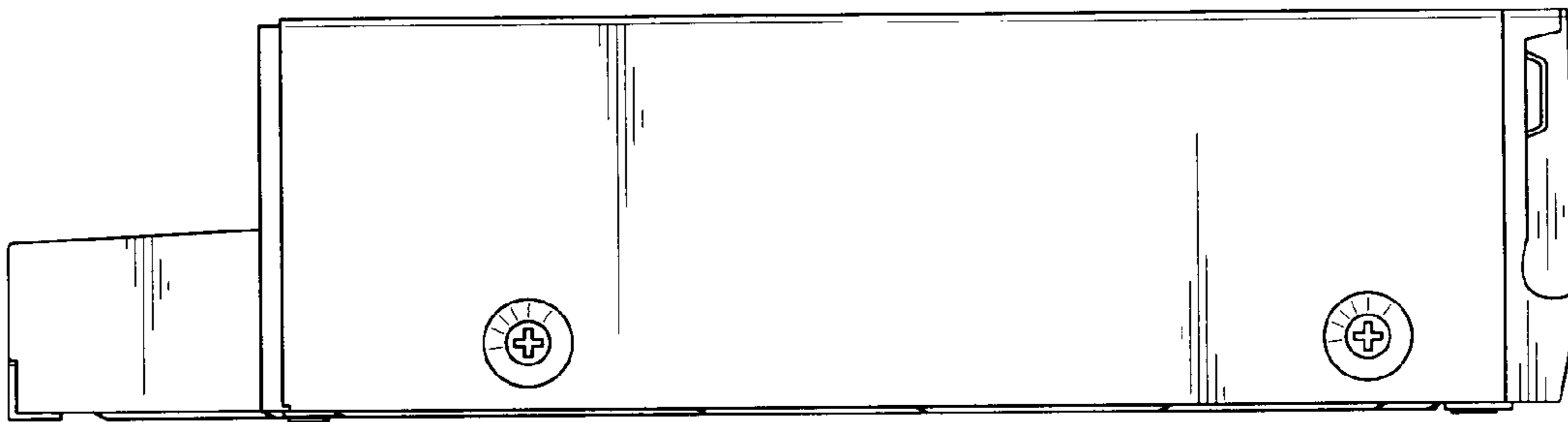


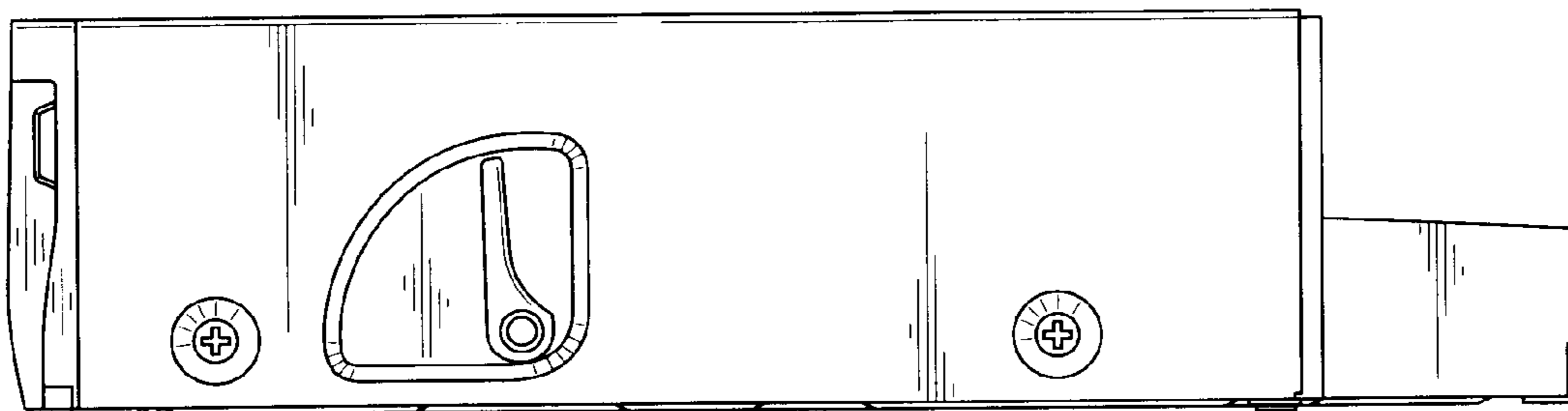
FIG. 3



*FIG. 4*



*FIG. 5*



*FIG. 6*

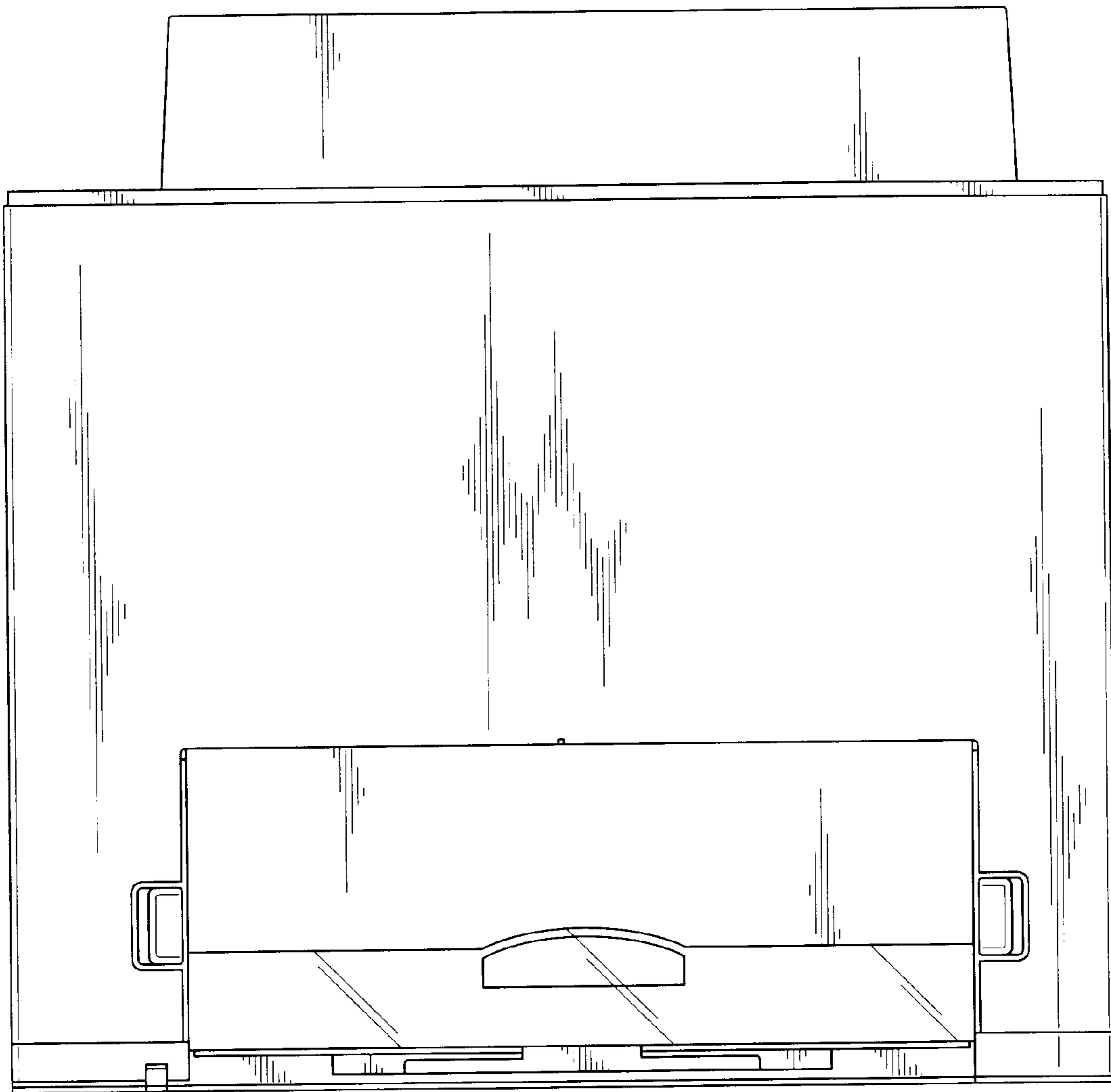


FIG. 7

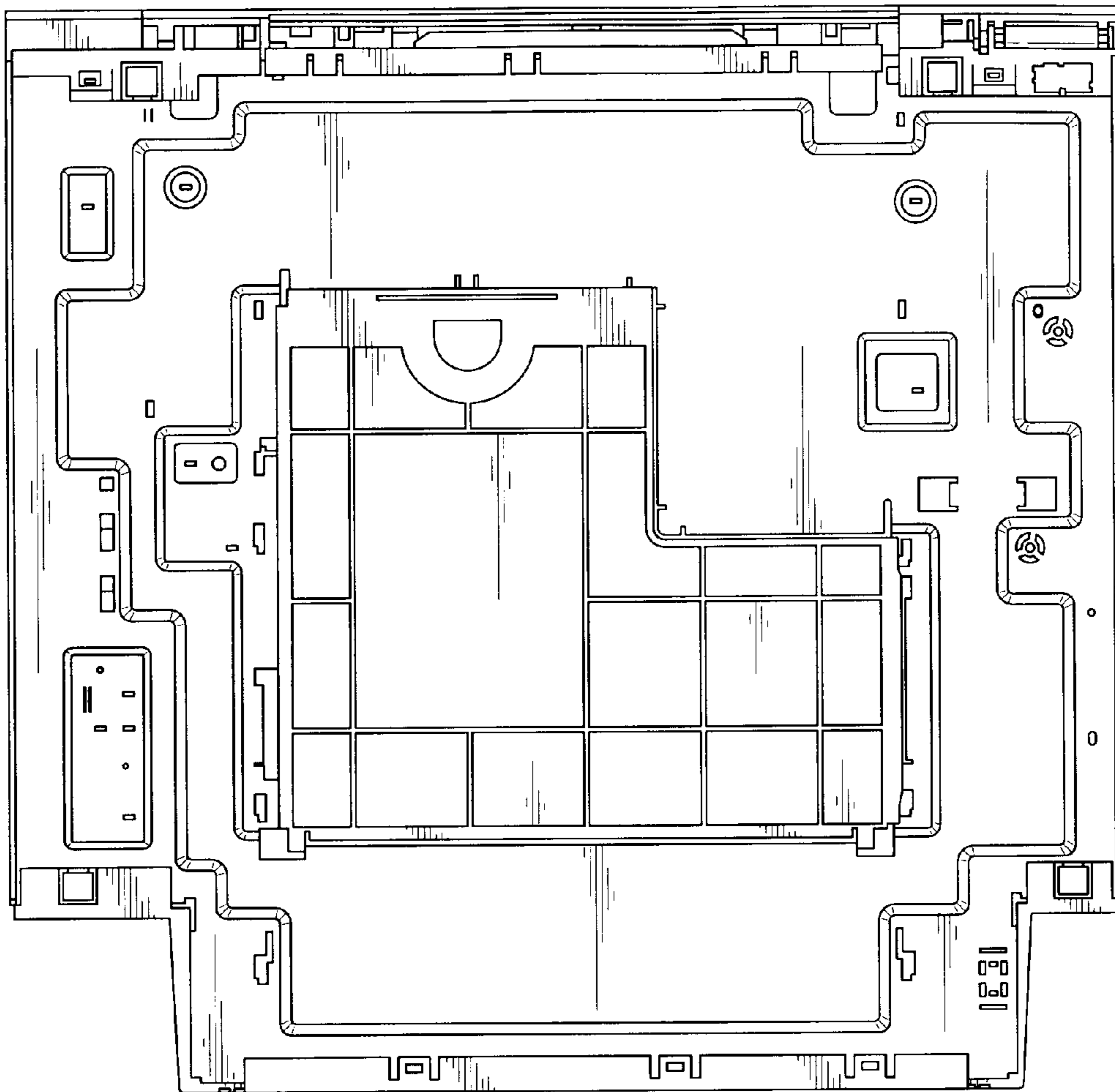


FIG. 8

