



US00D518086S

(12) **United States Design Patent**
Ito

(10) **Patent No.:** **US D518,086 S**

(45) **Date of Patent:** **** Mar. 28, 2006**

(54) **MUSICAL SIGNAL CONTROLLER**

(75) Inventor: **Masafumi Ito**, Shizuoka (JP)

(73) Assignee: **Yamaha Corporation**, Shizuoka (JP)

(**) Term: **14 Years**

(21) Appl. No.: **29/206,071**

(22) Filed: **May 26, 2004**

(30) **Foreign Application Priority Data**

Nov. 28, 2003 (JP) 2003-035448

(51) **LOC (8) Cl.** **17-99**

(52) **U.S. Cl.** **D17/99**

(58) **Field of Classification Search** D14/217;
D17/20, 99; 84/454, 600, 626, 662, 711,
84/723

See application file for complete search history.

(56) **References Cited**

U.S. PATENT DOCUMENTS

D236,212 S * 8/1975 Belgel et al. D17/99

D383,482 S * 9/1997 Katsumata D17/99

D387,798 S * 12/1997 Miura D17/99

D421,621 S * 3/2000 Cooper D17/99

D444,460 S * 7/2001 Kitazawa et al. D14/217

D504,458 S * 4/2005 Edwards D17/20

* cited by examiner

Primary Examiner—Adir Aronovich

(74) *Attorney, Agent, or Firm*—Sughrue Mion, PLLC

(57) **CLAIM**

The ornamental design for a musical signal controller, as shown.

DESCRIPTION

FIG. 1 is a perspective view of the top, front and right side of a musical signal controller showing my new design; FIG. 2 is a front elevational view thereof; FIG. 3 is a rear elevational view thereof; FIG. 4 is a top plan view thereof; FIG. 5 is a bottom plan view thereof; FIG. 6 is a right side elevational view thereof; and, FIG. 7 is a left side elevational view thereof.

1 Claim, 4 Drawing Sheets

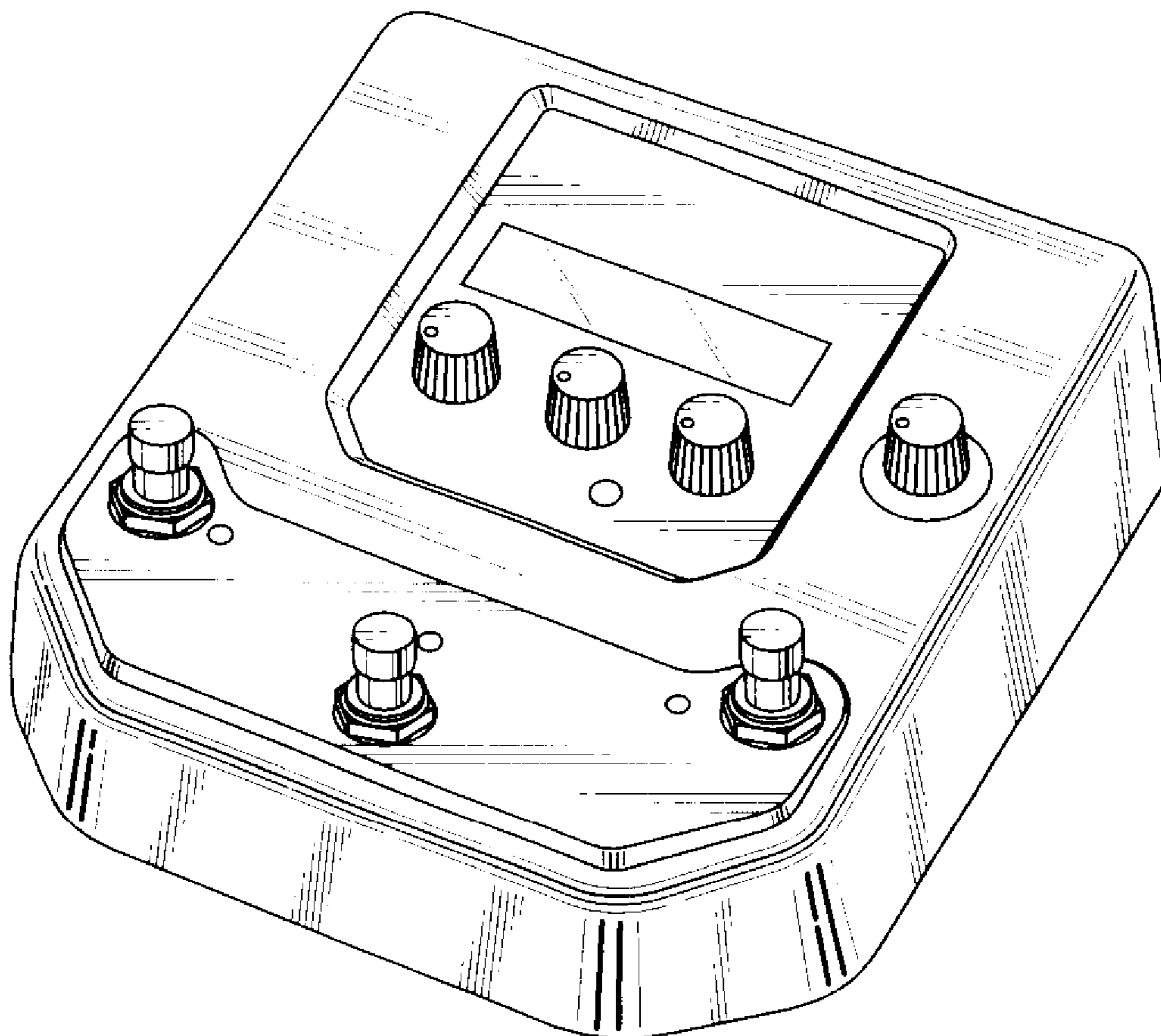


FIG. 1

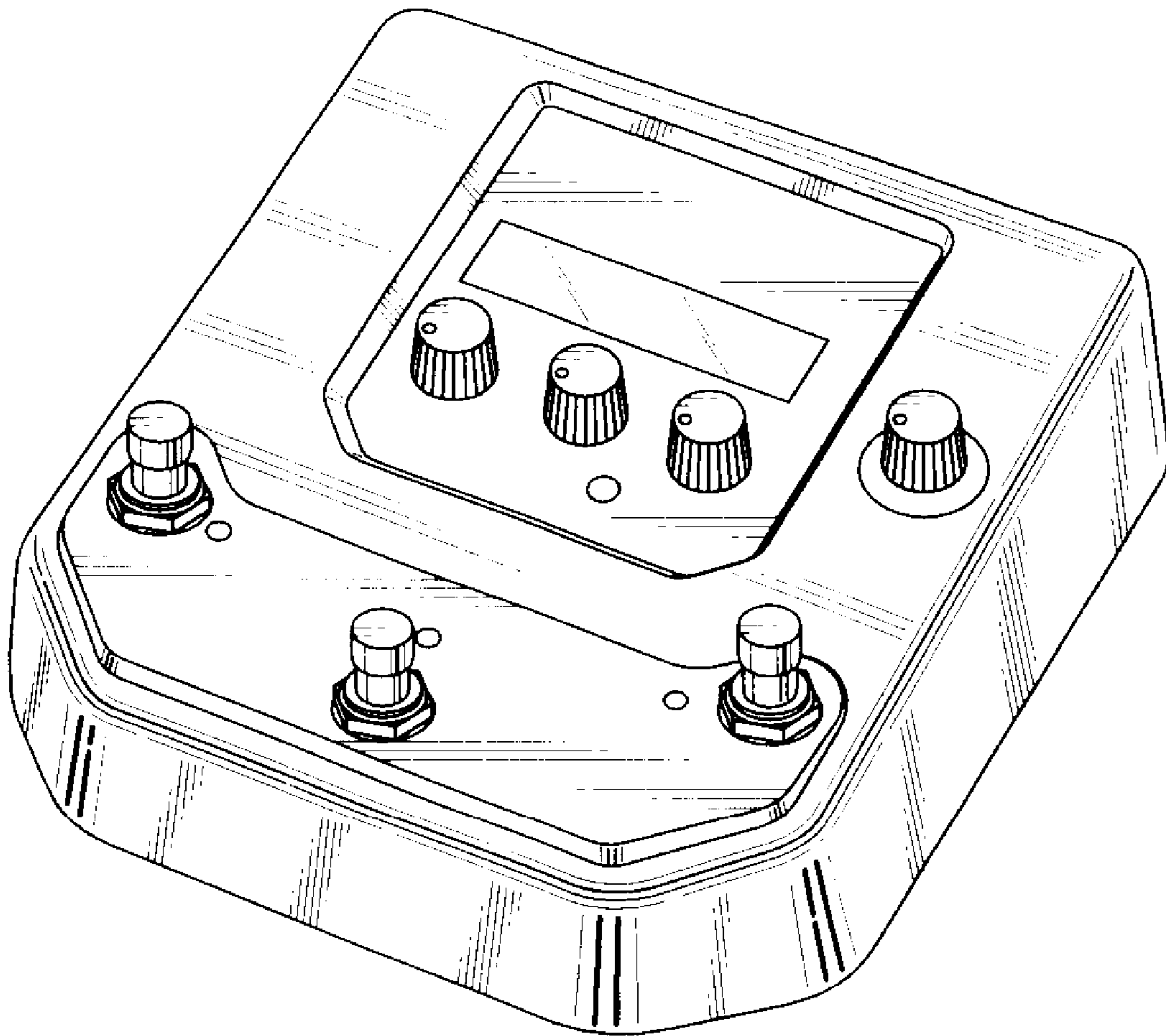


FIG.2

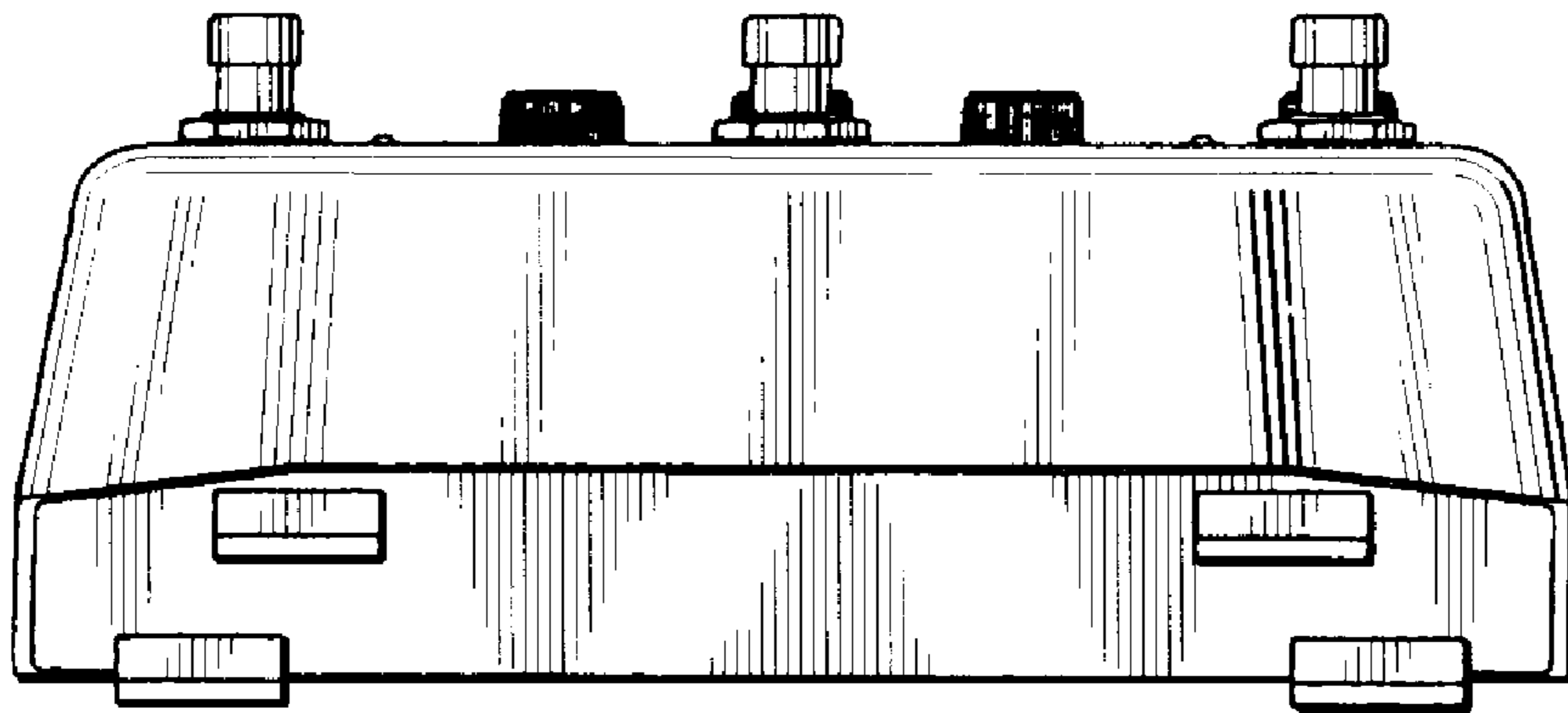


FIG.3

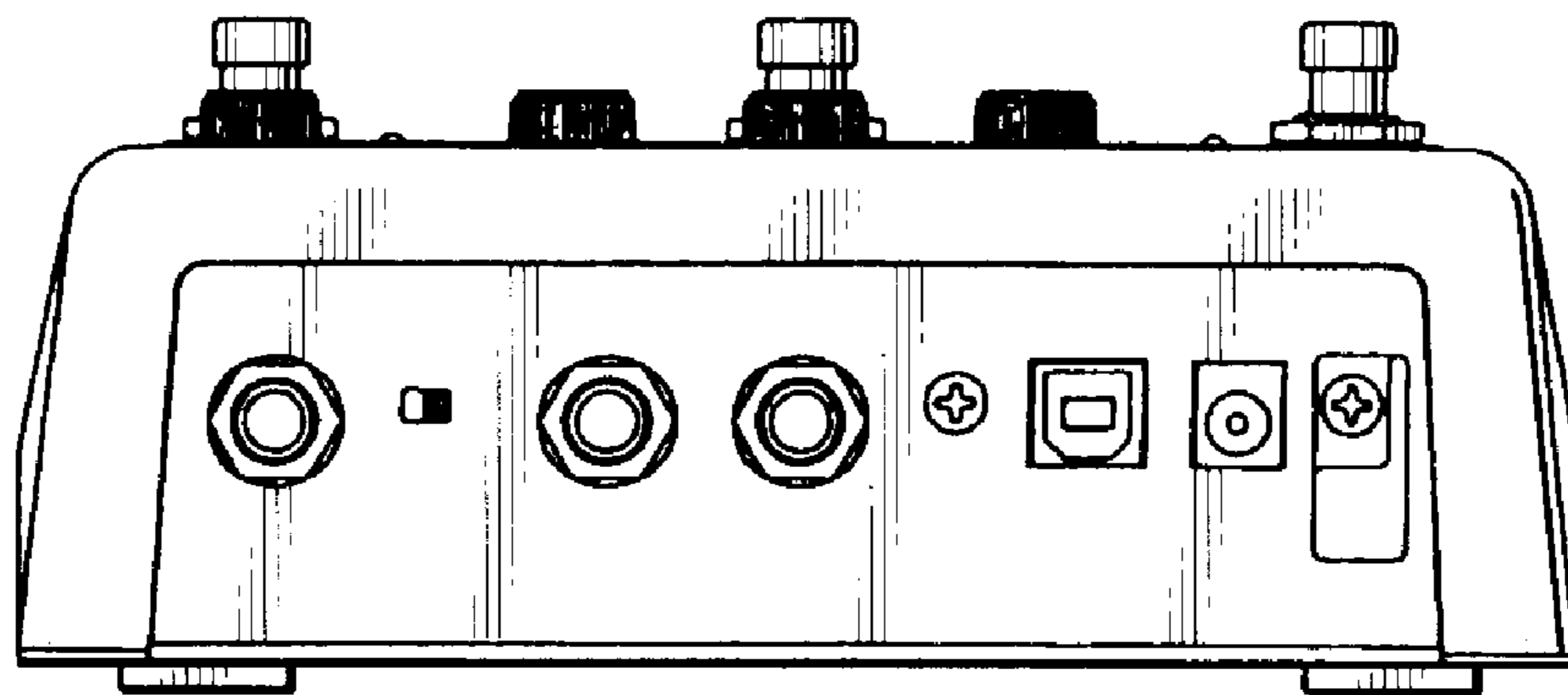


FIG. 4

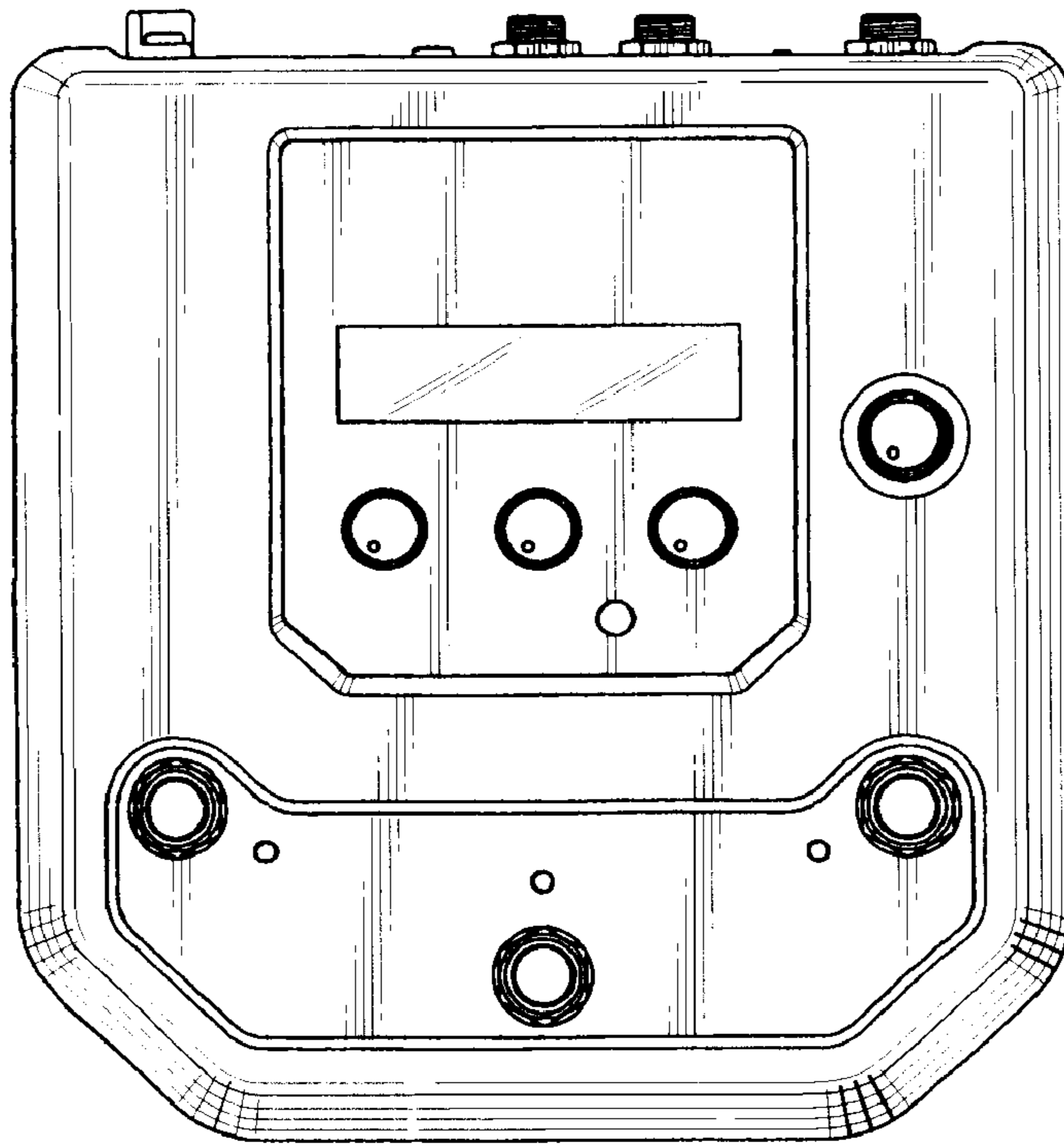


FIG. 5

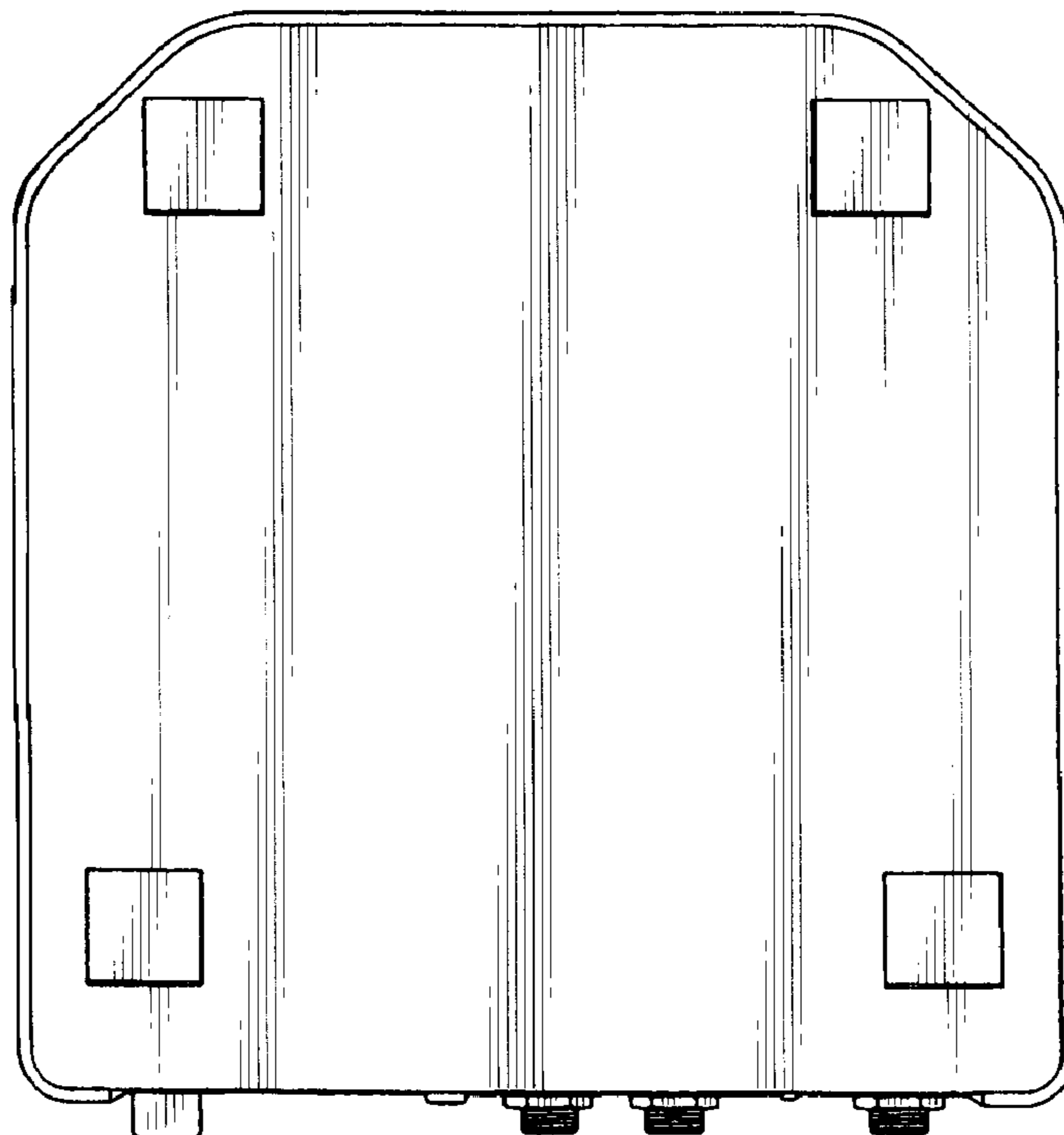


FIG. 6

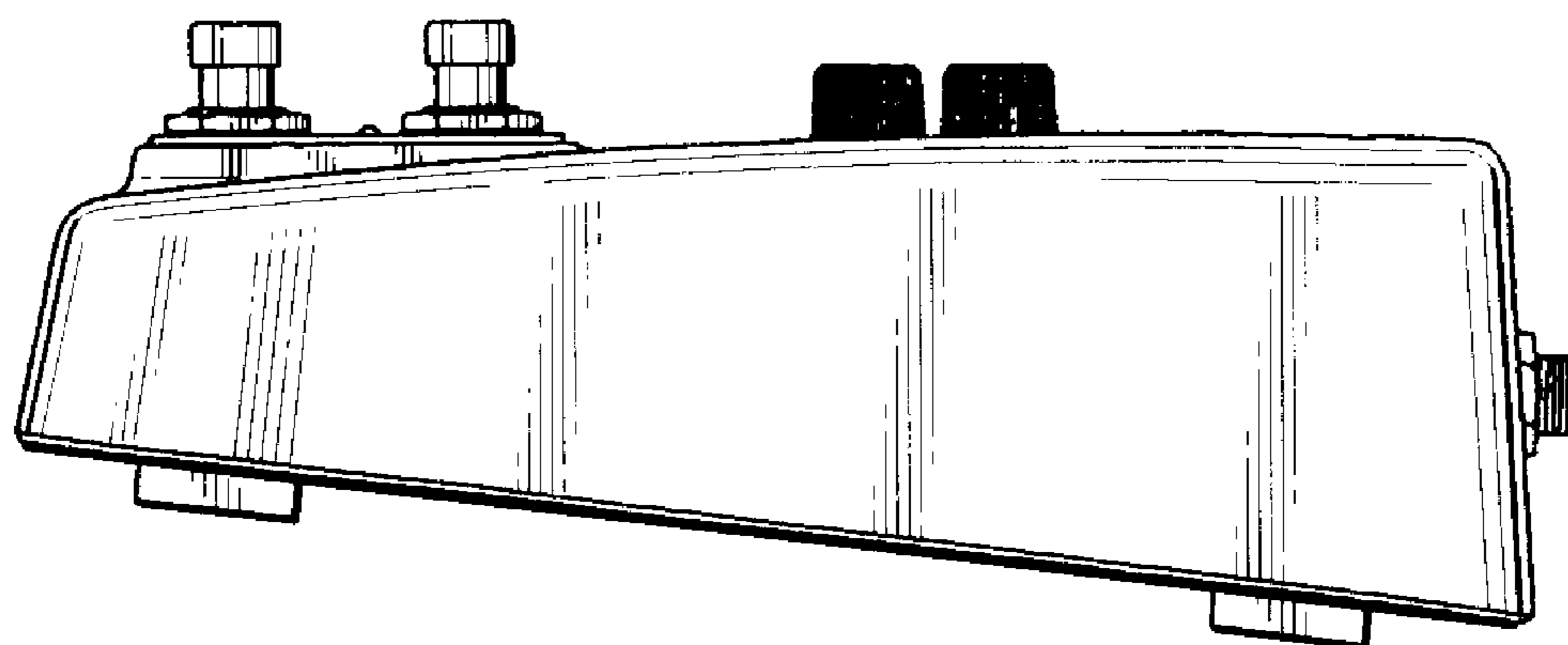


FIG. 7

