

US00D518080S

(12) **United States Design Patent**
Uehara

(10) **Patent No.:** **US D518,080 S**
(45) **Date of Patent:** **** Mar. 28, 2006**

(54) **VIDEO CAMERA**

(75) Inventor: **Mitsuhiro Uehara**, Tokyo (JP)

(73) Assignee: **Sony Corporation**, Tokyo (JP)

(**) Term: **14 Years**

(21) Appl. No.: **29/216,150**

(22) Filed: **Nov. 1, 2004**

(51) **LOC (8) Cl.** **16-01**

(52) **U.S. Cl.** **D16/203; D16/202**

(58) **Field of Classification Search** D16/200–204,
D16/208, 218; 348/143, 373, 374–376; 396/427–535,
396/536–541

See application file for complete search history.

(56) **References Cited**

U.S. PATENT DOCUMENTS

| | | | | | |
|------------|---|---------|------------------|-------|---------|
| D340,253 S | * | 10/1993 | Fedorczak | | D16/203 |
| D357,929 S | * | 5/1995 | Pierce | | D16/202 |
| D364,632 S | * | 11/1995 | Nakashima et al. | | D16/202 |
| D387,789 S | * | 12/1997 | Sumida et al. | | D16/202 |
| D390,244 S | * | 2/1998 | Yamakawa et al. | | D16/202 |

| | | | | | |
|--------------|---|---------|----------------|-------|---------|
| D464,981 S | * | 10/2002 | Nagase | | D16/203 |
| D486,847 S | | 2/2004 | Uehara | | D16/203 |
| D487,764 S | * | 3/2004 | Adachi et al. | | D16/203 |
| 6,705,774 B1 | * | 3/2004 | Tashiro et al. | | 396/427 |
| D505,146 S | * | 5/2005 | Ou | | D16/203 |

* cited by examiner

Primary Examiner—Adir Aronovich

(74) *Attorney, Agent, or Firm*—Rader, Fishman & Grauer PLLC

(57) **CLAIM**

The ornamental design for a video camera, as shown.

DESCRIPTION

FIG. 1 is a perspective view of a video camera showing my new design;

FIG. 2 is a front elevational view thereof;

FIG. 3 is a rear elevational view thereof;

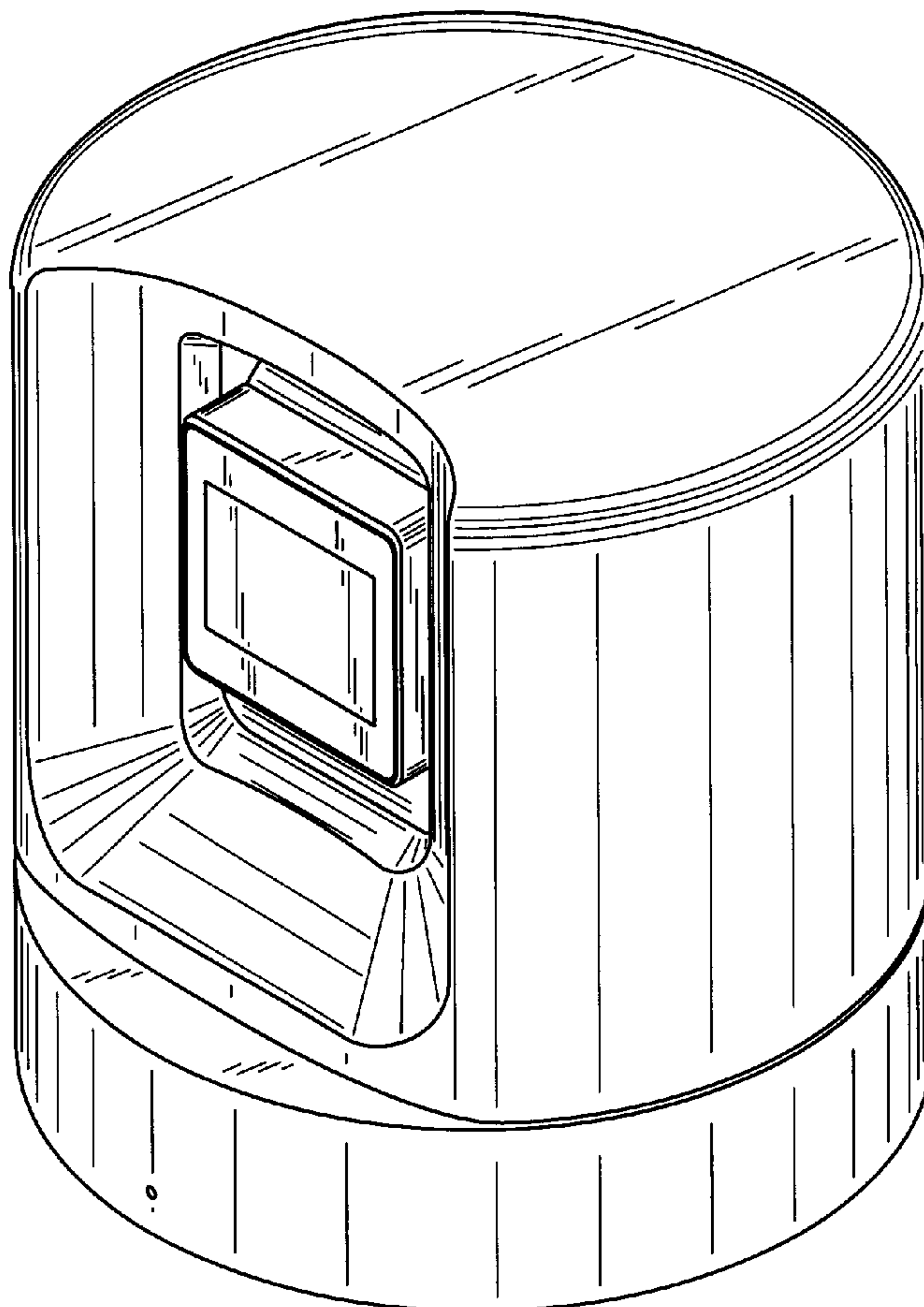
FIG. 4 is a left side elevational view thereof;

FIG. 5 is a right side elevational view thereof;

FIG. 6 is a top plan view thereof; and,

FIG. 7 is a bottom plan view thereof.

1 Claim, 4 Drawing Sheets



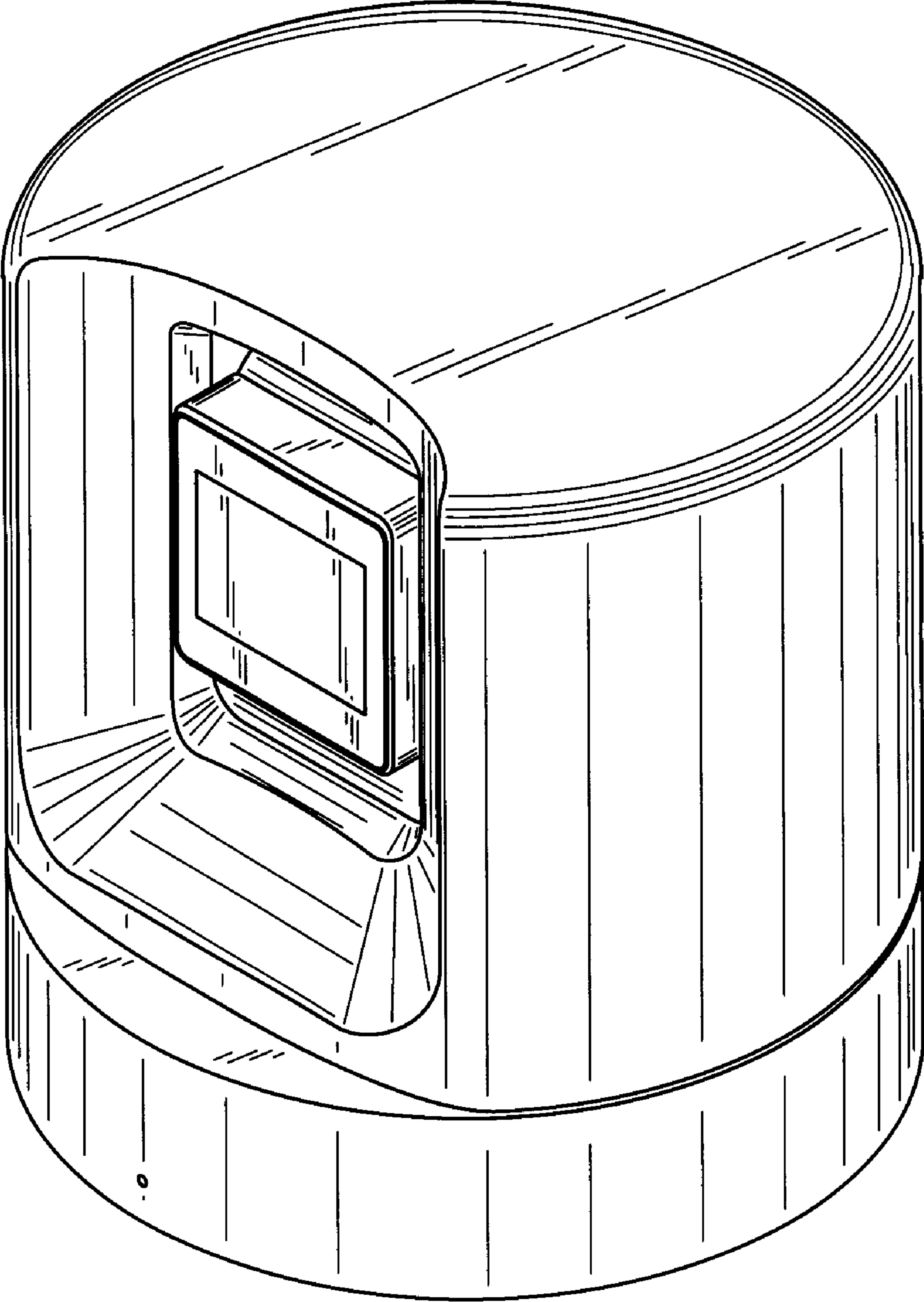


Fig. 1

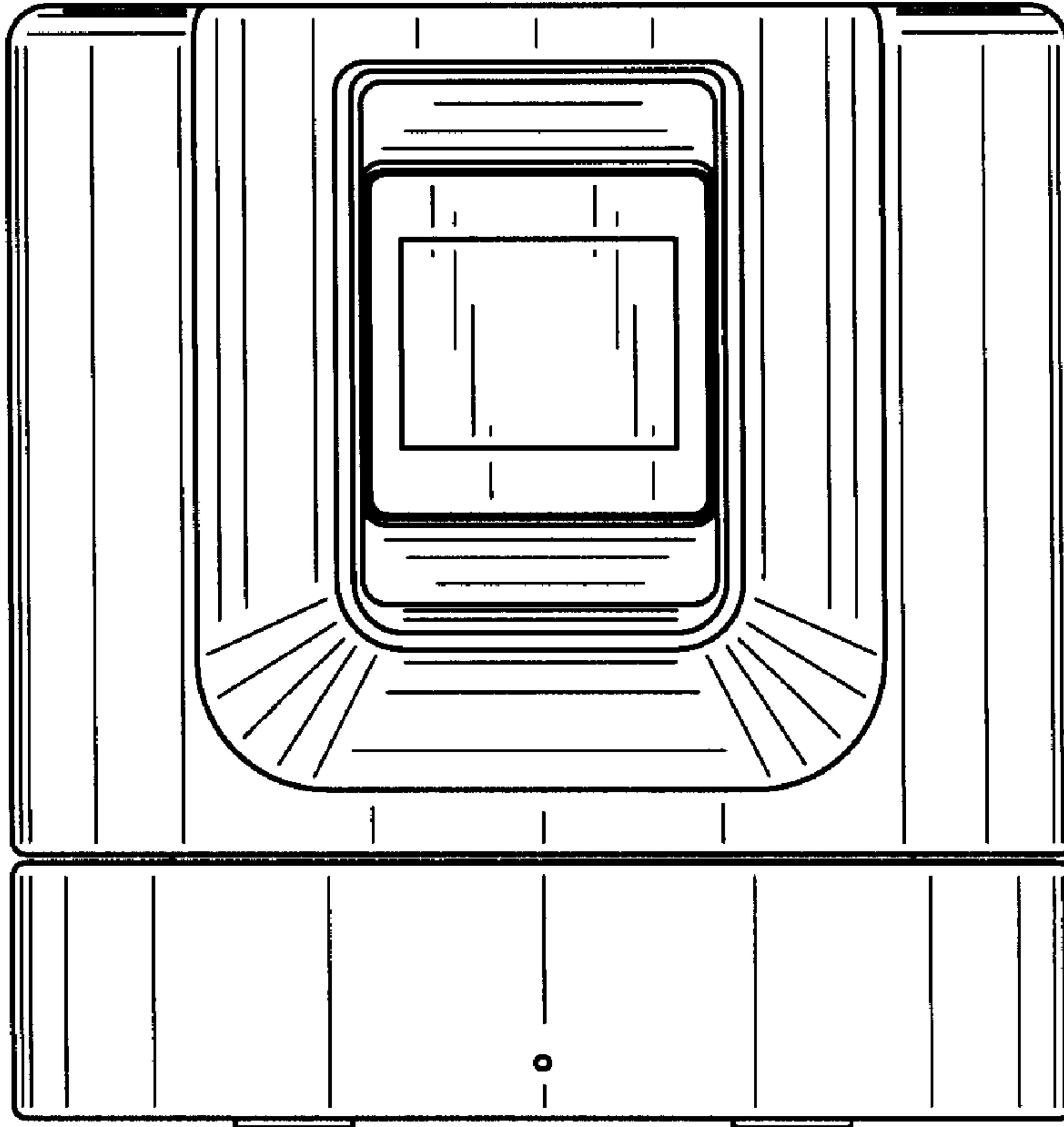


Fig. 2

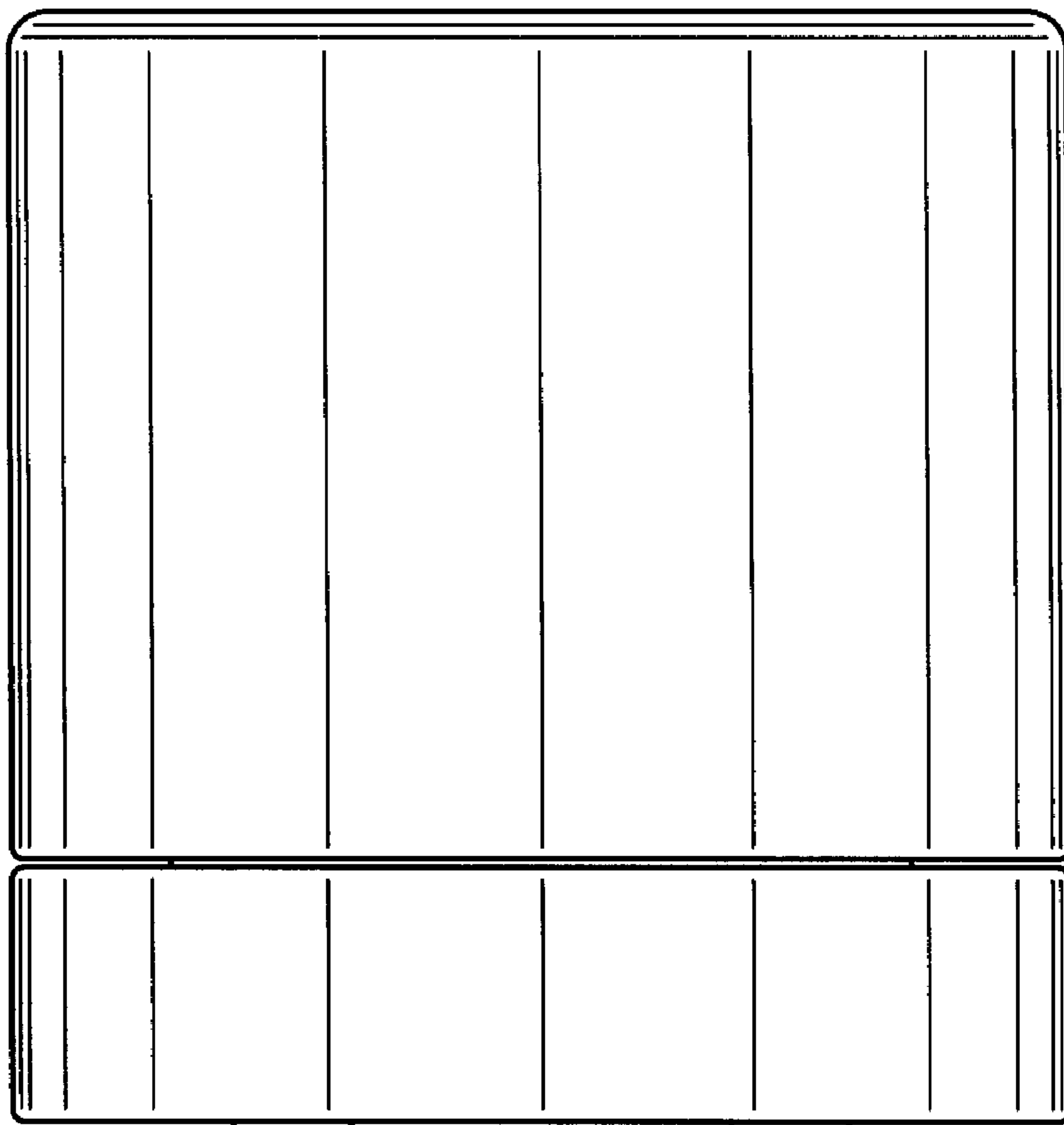


Fig. 3

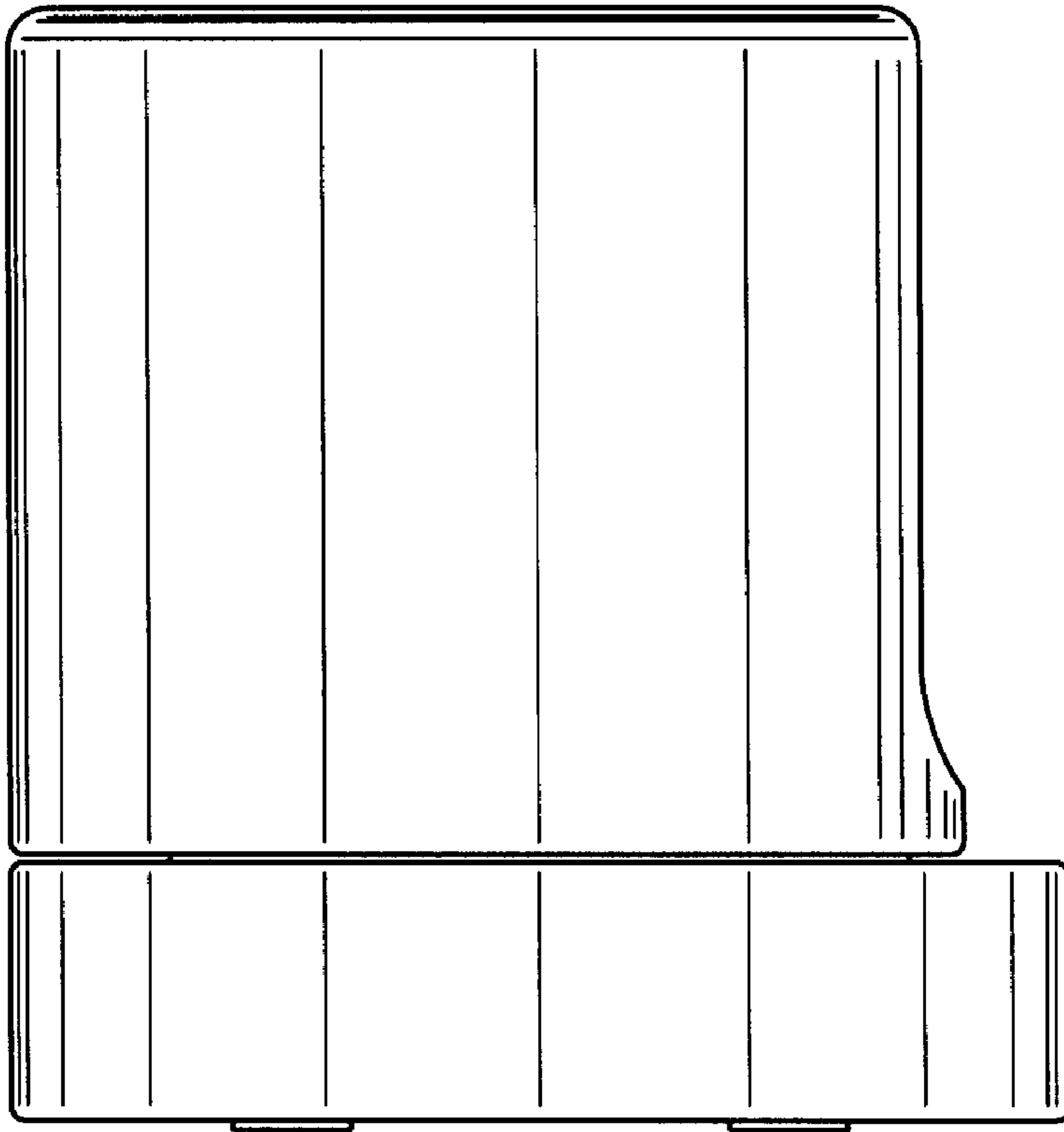


Fig. 4

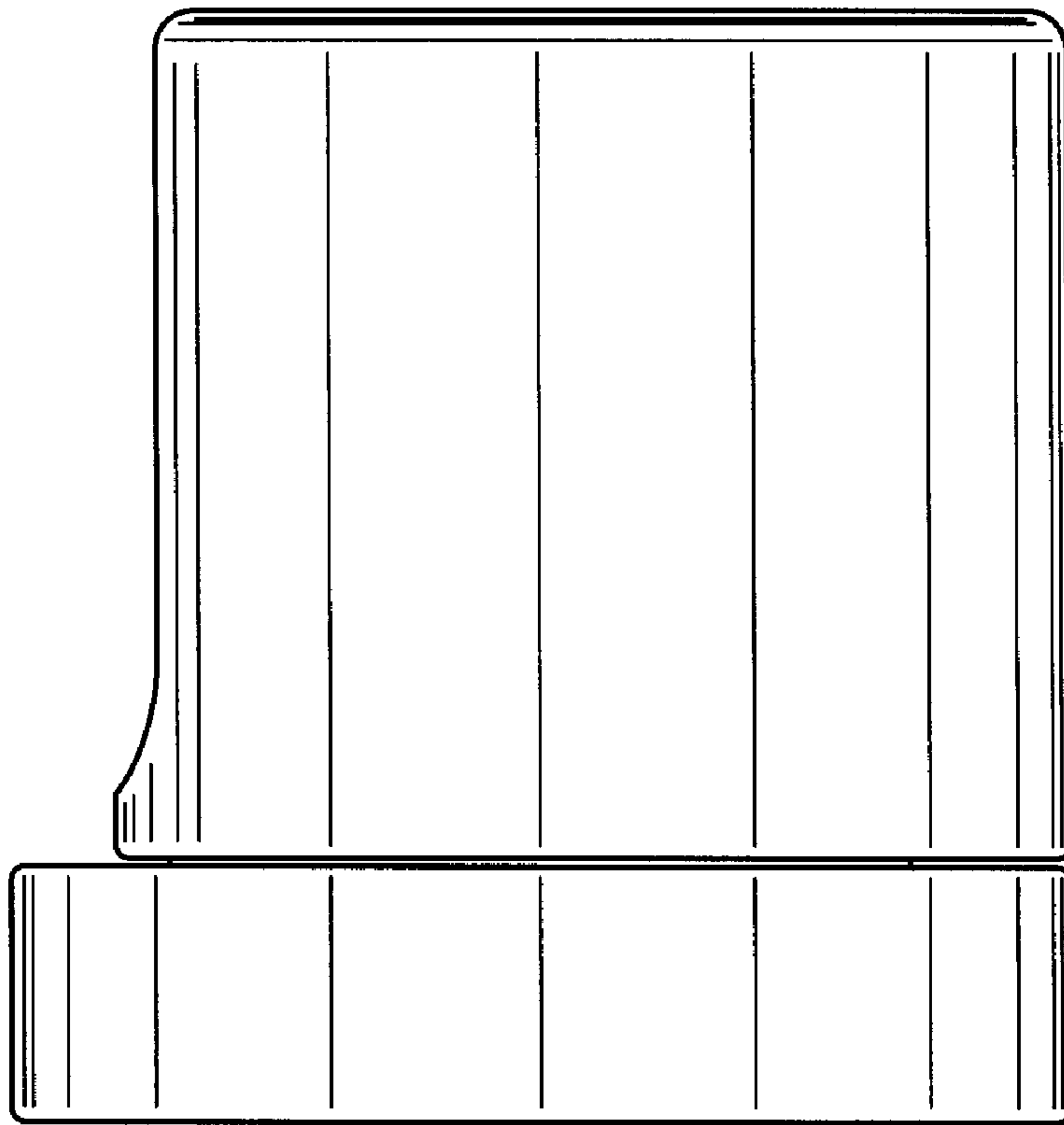


Fig. 5

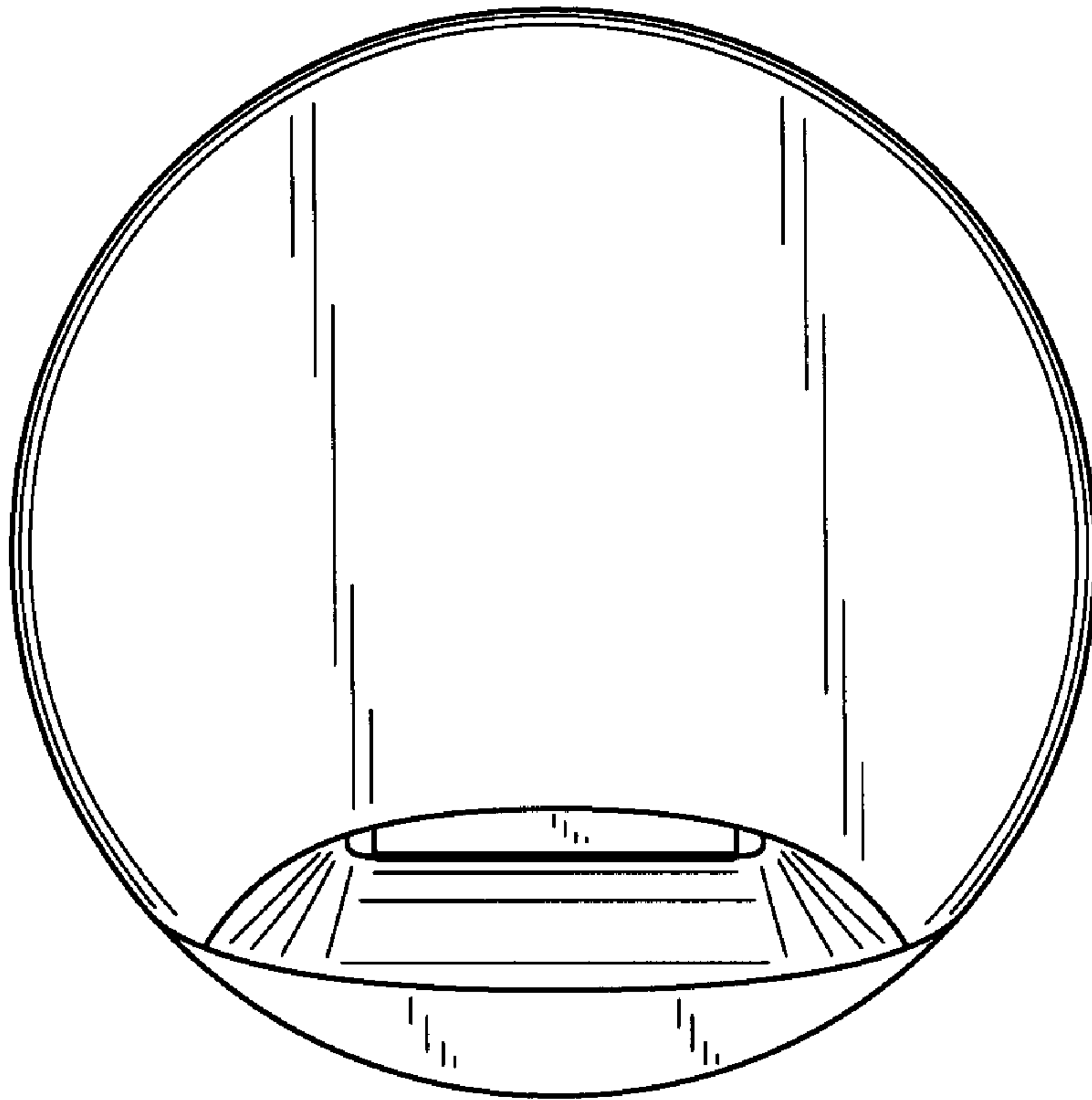


Fig. 6

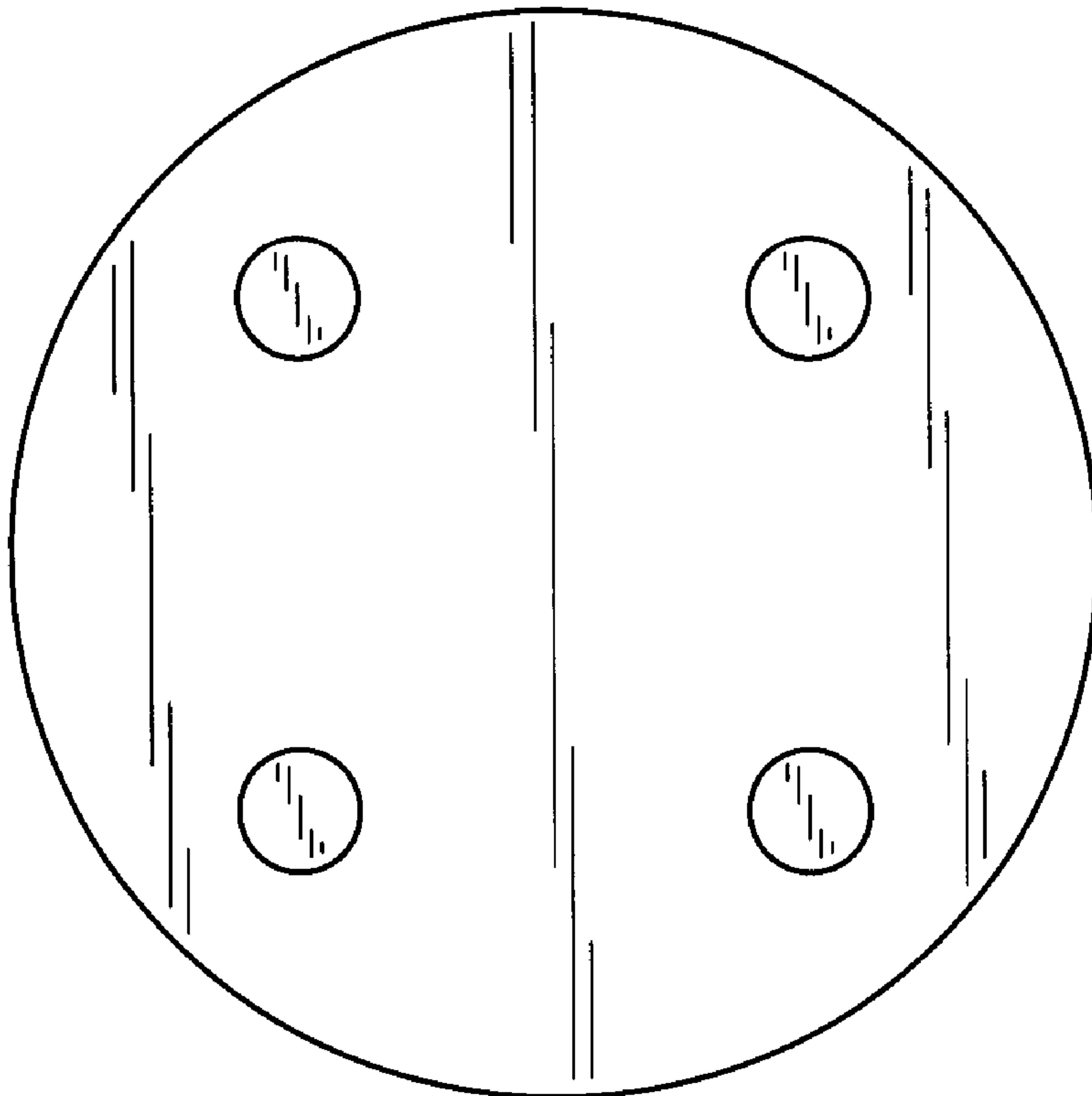


Fig. 7